

PARTS MANUAL

CTP6-10E/EB	CTP6-10G
CTP10-10E/EB	CTP10-10G
CTP7-20E/EB	CTP7-20G
CTP10-20E/EB	CTP10-20G
CTP20-10E/EB	CTP20-10G
CTP20-20E/EB	CTP20-20G

CTC6-10E
CTC10-10E
CTC7-20E
CTC10-20E
CTC20-10E
CTC20-20E



CT CLASSIC CT PERFORMANCE

This manual covers the following CTP and CTC series models:

Control Type		Boiler-Free Models	Steam Generator Models
CTP CTC	CT PROformance™ with PROtouch™ Control CT Classic with Classic manual Control	6-10E, 6-10G 10-10E, 10-10G 7-20E, 7-20G 10-20E, 10-20G 20-10E, 20-10G 20-20E, 20-20G	6-10EB 10-10EB 7-20EB 10-20EB 20-10EB 20-20EB

TABLE OF CONTENTS

CONTENTS

Table of Contents	3	20-10 Electric/Gas Plumbing after 06/17.	65
Panels and Fasteners	5	20-10 Electric with Boiler Plumbing prior to 06/17.	66
Exterior Panels: 6-10, 10-10	5	20-10 Electric with Boiler Plumbing after 06/17.	67
Exterior Panels: 7-20, 10-20	6	20-20 Electric/Gas Plumbing prior to 06/17	68
Exterior Panels: 20-10, 20-20.	7	20-20 Electric/Gas Plumbing after 06/17.	69
Exterior Panel Parts List	8	20-20 Electric with Boiler Plumbing prior to 06/17.	70
Panels, Fasteners: 6-10, 10-10 prior to 09/17	9	20-20 Electric with Boiler Plumbing after 06/17.	71
Panels, Fasteners: 20-10 prior to 09/17	10	Hand Shower package	72
Panels, Fasteners: 6-10, 10-10 after 09/17	11	Injection Tube Assembly	73
Panels, Fasteners: 20-10 after 09/17	12	CTP/CTC Water Manifold Assembly	74
Panels, Fasteners: 7-20, 10-20 prior to 09/17	13	Plumbing Package prior to 06/17:	
Panels, Fasteners: 20-20 prior to 09/17	14	6-10/7-20/10-10 Solenoids, Pumps, Fans	75
Panels, Fasteners: 7-20, 10-20 after 09/17	15	Plumbing Package after 06/17:	
Panels, Fasteners: 20-20 after 09/17	16	6-10/7-20/10-10 Solenoids, Pumps, Fans	77
Directional Panels: 6-10, 7-20, 10-10, 10-20.	17	CTC/CTP Condensation Tank	87
Directional Panels: 20-10, 20-20	18	Steam Generator Kit	88
Drain Screen	19	Steam Generator Cover Assembly	92
Feet and Casters	20	Browning Condenser Relief Valves	93
Doors	21	Control Panels	94
Door Service Kit – Right Hinged	21	CTC Control Assembly	94
Door Assembly – Right Hinged.	23	CTP Control Assembly (prior to 2/2015)	95
Door Modular Package – Right Hinged	26	CTP Control Assembly (2/2015 to 9/2015)	96
Door Modular Package – Recessed Door	29	CTP Control Assembly (9/2015 to 9/2016)	97
Drip Tray Service Kit	32	CTP Control Assembly (9/2016 to 12/2016)	98
Door Handle Housing – 20-10, 20-20 prior to 05/17	34	CTP Control Assembly (9/2016 to 12/2016)	98
Door Handle Housing – 20-10, 20-20 after 05/17	35	CTP Control Assembly (12/2016 to 04/2017)	99
Recessed Door Trolley Assembly	36	CTP Control Assembly (after 04/2017).	100
Door Gaskets	38	CTP Control Boards	101
Gas Components	39	CTP Control Boards	102
Burner Control and Blower Components Parts List	39	Electrical Components	103
Gas Burner Mounting Flange	40	Heating Elements	103
Connection Board Details.	41	Convection Motor prior to 03/17	104
Heat Exchanger Service Kits.	42	Convection Motor after 03/17	105
Plumbing	48	Convection Motor Service Kits after 03/17	106
6-10 Electric/Gas Plumbing prior to 06/17	48	Single-Point Probe	107
6-10 Electric/Gas Plumbing after 06/17	49	Multi-Point Probe/Sous Vide (all sizes)	108
6-10 Electric with Boiler Plumbing prior to 06/17	50	Electrical Chassis – CTC Models	109
6-10 Electric with Boiler Plumbing after 06/17	51	Electrical Chassis – CTC 6-10G 120V (5016438)	109
7-20 Electric/Gas Plumbing prior to 06/17	52	Electrical Chassis – CTC 6-10G 208-240V (5016439)	111
7-20 Electric/Gas Plumbing after 06/17	53	Electrical Chassis – CTC 6-10G 380-415V (5016444)	113
7-20 Electric with Boiler Plumbing prior to 06/17	54	Electrical Chassis – CTC 6-10E 208-240V (5016440)	115
7-20 Electric with Boiler Plumbing after 06/17	55	Electrical Chassis – CTC 6-10E 380-415V (5016442)	117
10-10 Electric/Gas Plumbing prior to 06/17	56	Electrical Chassis – CTC 6-10E 440-480V (5016445)	119
10-10 Electric/Gas Plumbing after 06/17.	57	Electrical Chassis – CTC 10-10G/7-20G 120V (5016168)	121
10-10 Electric with Boiler Plumbing prior to 06/17.	58	Electrical Chassis – CTC 10-10G/7-20G 208-240V 3Ph (5016169)	123
10-10 Electric with Boiler Plumbing after 06/17	59	Electrical Chassis – CTC 10-10G/7-20G 380V (5016180)	125
10-20 Electric/Gas Plumbing prior to 06/17	60	Electrical Chassis – CTC 10-10G/7-20G 380-415V (5016181)	127
10-20 Electric/Gas Plumbing after 06/17.	61	Electrical Chassis – CTC 10-10E/7-20E 208-240V 3Ph (5016170)	129
10-20 Electric with Boiler Plumbing prior to 06/17.	62	Electrical Chassis – CTC 10-10E/7-20E 380-415V (5016172)	131
10-20 Electric with Boiler Plumbing after 06/17	63	Electrical Chassis – CTC 10-10E/7-20E 440-480V (5016174)	133
20-10 Electric/Gas Plumbing prior to 06/17	64	Electrical Chassis – CTC 10-20G 208-240V (5016215)	135
		Electrical Chassis – CTC 10-20G 380-415V (5016216)	137

Electrical Chassis – CTC 10-20E 120V (5016214) 139
 Electrical Chassis – CTC 10-20E 208-240V (5016217) 141
 Electrical Chassis – CTC 10-20E 380-415V (5016219) 143
 Electrical Chassis – CTC 10-20E 440-480V (5016221) 145
 Electrical Chassis – CTC 20-10G/20-20G 120V (5016196) 147
 Electrical Chassis – CTC 20-10G/20-20G 208-240V 1/3Ph (5016197) 149
 Electrical Chassis – CTC 20-10G/20-20G 380-415V (5016198) 151
 Electrical Chassis – CTC 20-10E 208-240V 3Ph (5016494) 153
 Electrical Chassis – CTC 20-10E 380-415V (5016496) 155
 Electrical Chassis – CTC 20-10E 440-480V (5016498) 157
 Electrical Chassis – CTC 20-20E 208-240V (5016199) 159
 Electrical Chassis – CTC 20-20E 380-415V (5016201) 161
 Electrical Chassis – CTC 20-20E 440-480V (5016203) 163

Electrical Chassis – CTP Models 164

Electrical Chassis – CTP 6-10G 120-208V (5015971) 165
 Electrical Chassis – CTP 6-10G 380-415V (5015972) 167
 Electrical Chassis – CTP 6-10E 208-240V 1Ph (5016523) 169
 Electrical Chassis – CTP 6-10E 208-240V 3Ph (5015973) 171
 Electrical Chassis – CTP 6-10E 380-415V (5015975) 173
 Electrical Chassis – CTP 6-10E 440-480V (5015977) 175
 Electrical Chassis – CTP 6-10EB 208-240V 1Ph (5016524) 177
 Electrical Chassis – CTP 6-10EB 208-240V 3Ph (5015974) 179
 Electrical Chassis – CTP 6-10EB 380-415V (5015976) 181
 Electrical Chassis – CTP 6-10EB 440-480V (5015978) 183
 Electrical Chassis – CTP 10-10G/7-20G 120-208V (5015126) 185
 Electrical Chassis – CTP 10-10E/7-20E 240V 1Ph (5016483) 187
 Electrical Chassis – CTP 10-10E/7-20E 240V 3Ph (5015127) 189
 Electrical Chassis – CTP 10-10E/7-20E 380V (5015903) 191
 Electrical Chassis – CTP 10-10E/7-20E 440V (5015905) 193
 Electrical Chassis – CTP 10-10EB/7-20EB 240V 1Ph (5016484) 195
 Electrical Chassis – CTP 10-10EB/7-20EB 240V 3Ph (5015128) 197
 Electrical Chassis – CTP 10-10EB/7-20EB 380V (5015904) 199
 Electrical Chassis – CTP 10-10EB/7-20EB 440V (5015906) 201
 Electrical Chassis – CTP 10-20G 120-208V (5016097) 203
 Electrical Chassis – CTP 10-20G 380-415V (5016098) 205
 Electrical Chassis – CTP 10-20E 208-240V (5016099) 207
 Electrical Chassis – CTP 10-20E 380-415V (5016101) 209
 Electrical Chassis – CTP 10-20E 440-480V (5016103) 211
 Electrical Chassis – CTP 10-20EB 208-240V (5016100) 213
 Electrical Chassis – CTP 10-20EB 380-415V (5016102) 215
 Electrical Chassis – CTP 10-20EB 440-480V (5016104) 217
 Electrical Chassis – CTP 20-10EB 380-415V (5015878) 219
 Electrical Chassis – CTP 20-10G/20-20G 120-208V (5016057) 221
 Electrical Chassis – CTP 20-10G/20-20G 380-415V (5016058) 223
 Electrical Chassis – CTP 20-10E/20-20E 208-240V 3Ph (5015327) 225
 Electrical Chassis – CTP 20-10E 380-415V (5015879) 227
 Electrical Chassis – CTP 20-10E 440-480V (5015881) 229
 Electrical Chassis – CTP 20-10EB/20-20EB 208-240V 3Ph (5015326) 231
 Electrical Chassis – CTP 20-10EB 440-480V (5015880) 233
 Electrical Chassis – CTP 20-20E 208-240V 3Ph (5016059) 235
 Electrical Chassis – CTP 20-20E 380-415V (5016061) 237
 Electrical Chassis – CTP 20-20E 440-480V (5016063) 239
 Electrical Chassis – CTP 20-20EB 208-240V 3Ph (5016060) 241
 Electrical Chassis – CTP 20-20EB 380-415V (5016062) 243
 Electrical Chassis – CTP 20-20EB 440-480V (5016064) 245

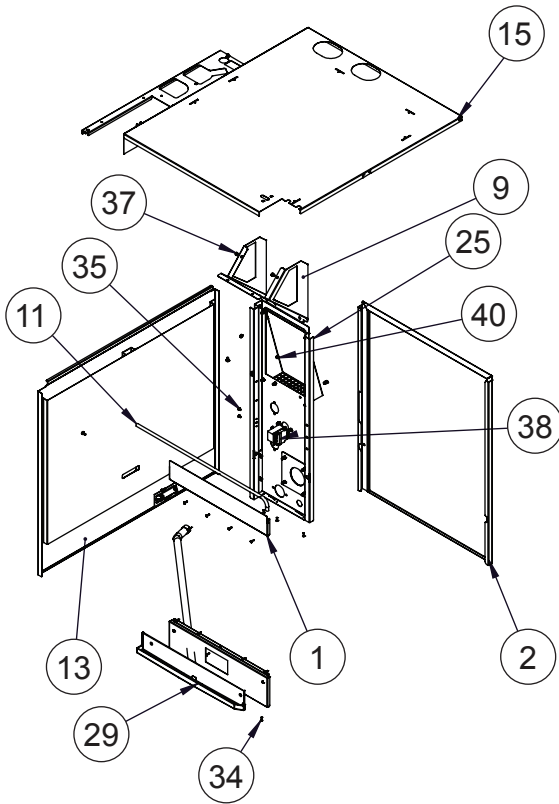
Accessories 247

Liquid Cleaning Package 247
 Grease Collection 249
 20-10 and 20-20 Pan Trolley (prior to 02/2015) 253
 20-10 and 20-20 pan Trolley (after 02/2015) 254
 20-20 Plate Trolley 255
 20-10 Plate Trolley 256
 Smoker Chip Tray 257
 Smoker Option – Field Installation Kit 258
 Ventless Hood – Exterior 259
 Ventless Hood – Interior 261
 Ventless Hood – Fan 262
 Door Latch 263
 Door Lock Assembly 264

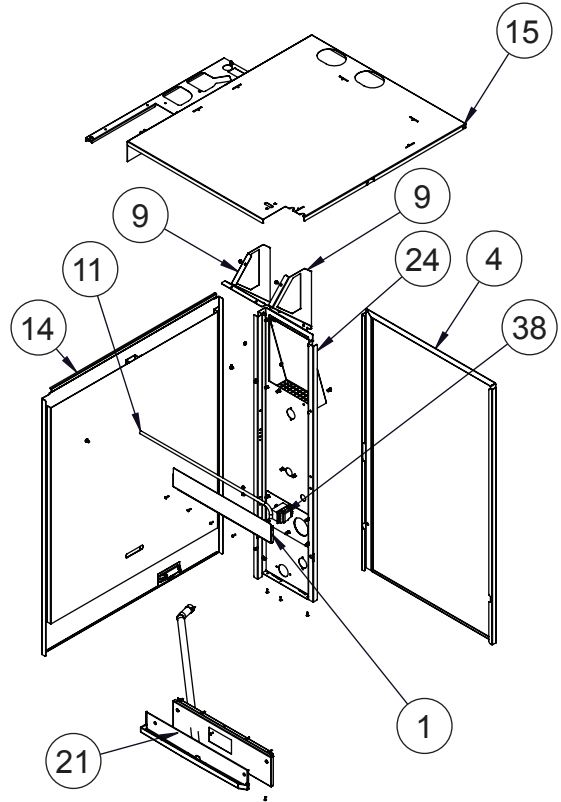
Stacking 265

Stacking Components – Right Hand Door, Gas 265
 Stacking Components – Recessed Door, Gas 266
 Stacking Components – Right Hand Door, Electric 267
 Stacking Components – Recessed Door, Electric 269
 Gas Stacking Components – Right Hand Door, Seismic 271
 Electric Stacking Components – Right Hand Door, Seismic 273
 Gas Stacking Components – Recessed Door, Seismic 275
 Electric Stacking – Recessed Door, Seismic 277

EXTERIOR PANELS: 6-10, 10-10

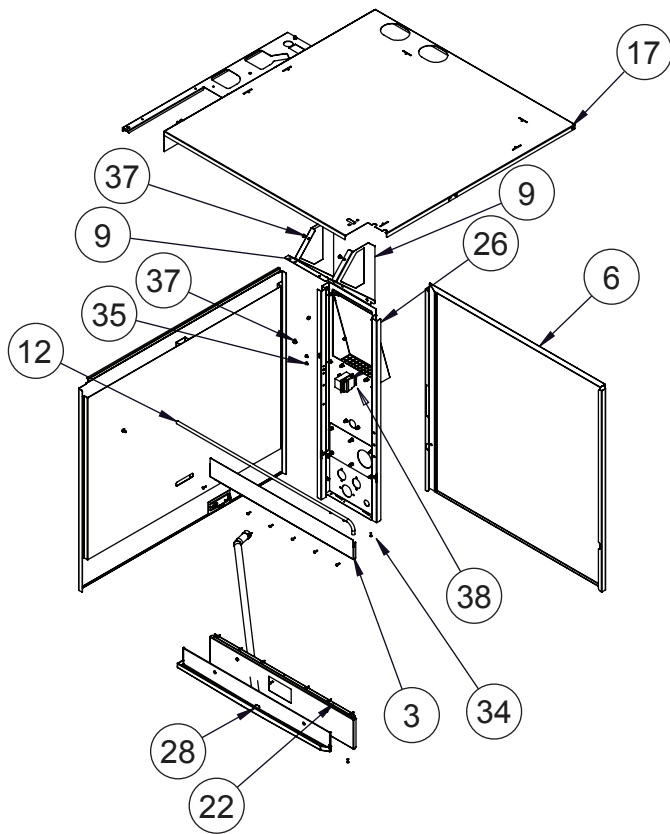


5015334
Outer Casing, 6-10
CTP/CTC

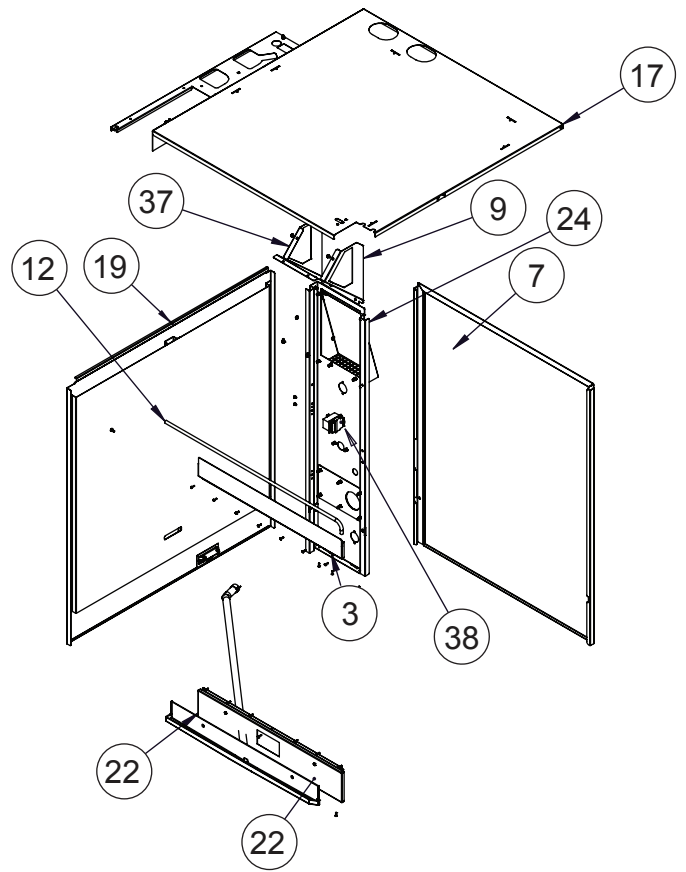


5015340
Outer Casing, 10-10
CTP/CTC

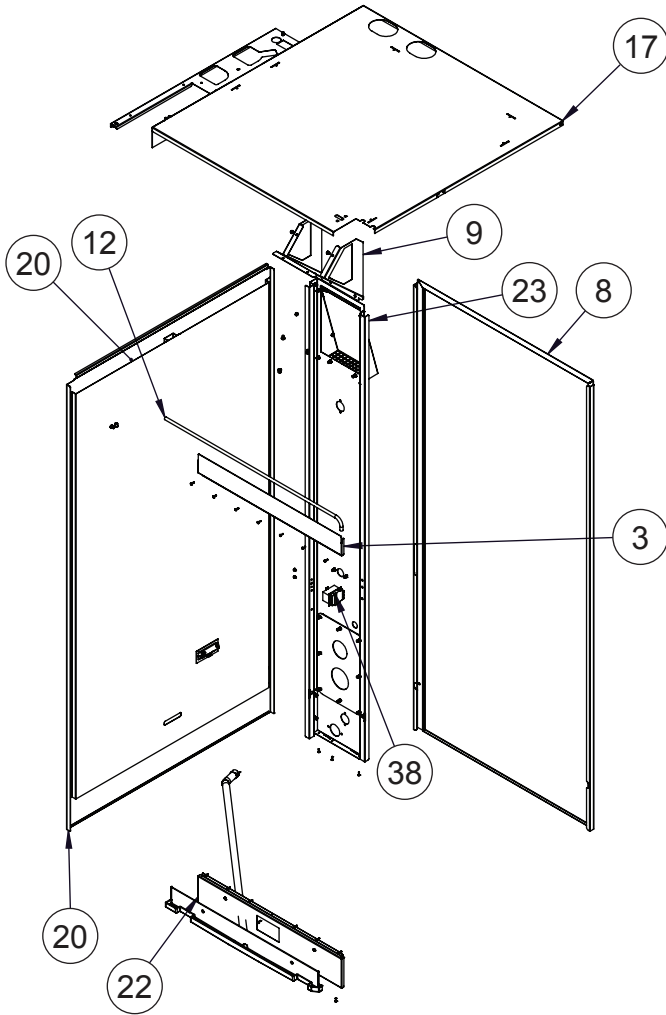
EXTERIOR PANELS: 7-20, 10-20



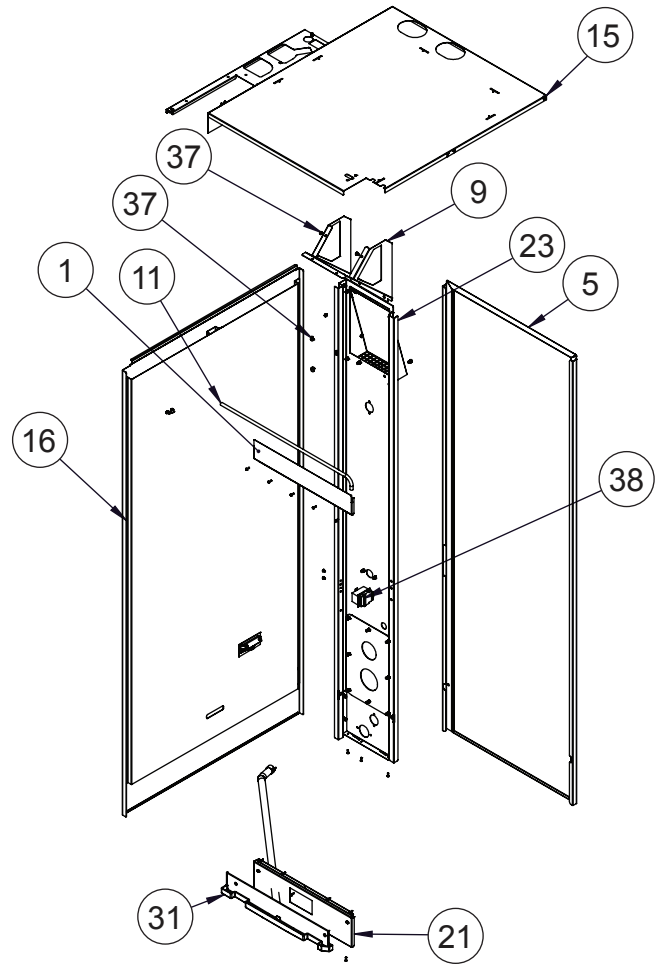
5015336
Outer Casing, 7-20
CTP/CTC



5015338
Outer Casing, 10-20
CTP/CTC



5015386
Outer Casing, 20-20
CTP/CTC

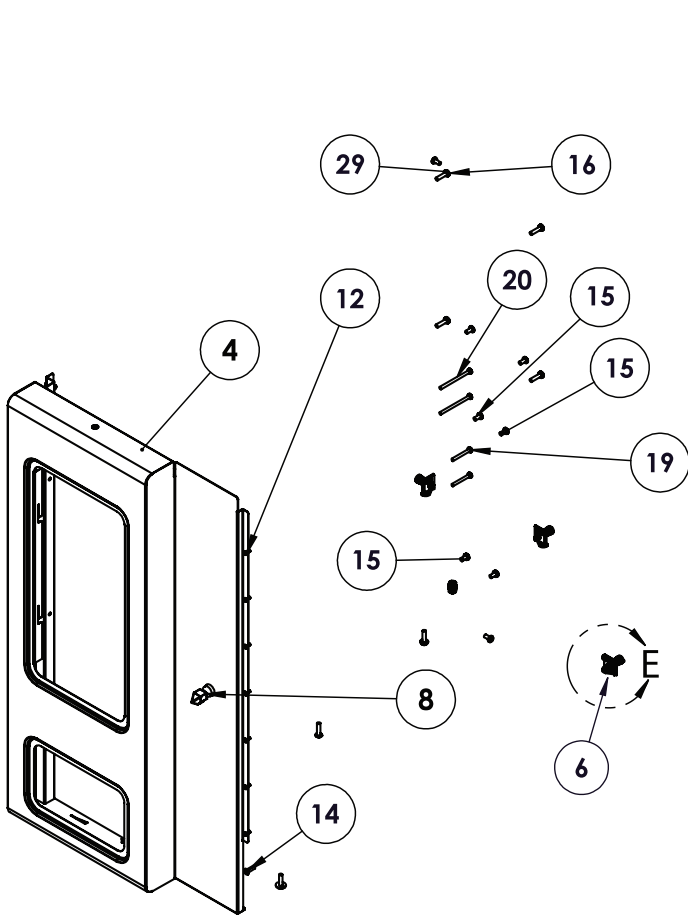


5015388
Outer Casing, 20-10
CTP/CTC

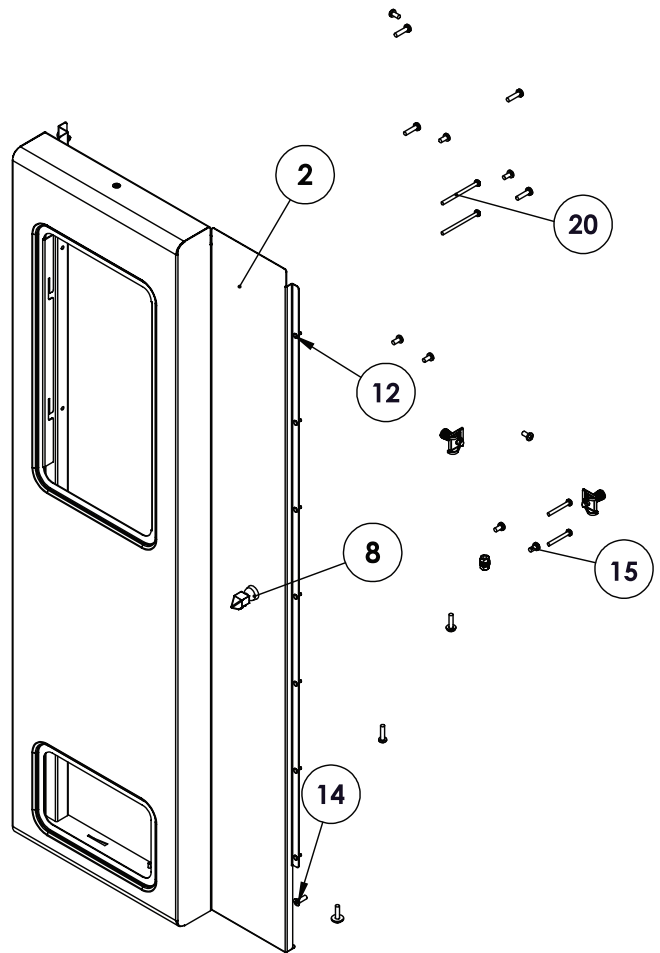
EXTERIOR PANEL PARTS LIST

Item	Part	Description	5015334	5015340	5015336	5015338	5015386	5015388
			Qty.	Qty.	Qty.	Qty.	Qty.	Qty.
1	1013321R	Panel, Front Upper, CTC/CTP	1	1	-	-	-	1
2	1013325R	Panel, Rear Access, 6-10	1	-	-	-	-	-
3	1013571R	Panel, Front Upper, 7-20, 10-20	-	-	1	1	1	-
4	1013581R	Panel, Rear Access, 10-10	-	1	-	-	-	-
5	1013582R	Panel, Rear Access, 20-10	-	-	-	-	-	1
6	1013583R	Panel, Rear Access, 7-20	-	-	1	-	-	-
7	1013584R	Panel, Rear Access, 10-20	-	-	-	1	-	-
8	1013585R	Panel, Rear Access, 20-20	-	-	-	-	1	-
9	1014184	Combi Fan Tunnel, Rear Corner	1	1	1	1	1	1
10	1015490	Vent, Air	1	1	1	1	1	1
11	1015852	Tube, Probe, Horizontal	1	1	-	-	-	1
12	1015854	Tube, Probe, Horizontal	-	-	1	1	1	-
13	5015045R	Panel, LH, Access, Assembly, 6-10	1	-	-	-	-	-
14	5015071R	Panel, LH, Access, Assembly, 10-10	-	1	-	-	-	-
15	5015072	Fill-in Cover Assembly, 6-10	1	1	-	-	-	1
16	5015264R	Panel, LH, Access, Assembly, 20-10	-	-	-	-	-	1
17	5015274	Fill-in Cover Assembly, 7-20, 10-20	-	-	1	1	1	-
18	5015276R	Panel, LH, Access, Assembly, 7-20	-	-	1	-	-	-
19	5015277R	Panel, LH, Access, Assembly, 10-20	-	-	-	1	-	-
20	5015278R	Panel, LH, Access, Assembly, 20-20	-	-	-	-	1	-
21	5019940	Weld, Lower Bridge, CTC/CTP	1	1	-	-	-	1
22	5019946	Weld, Lower Bridge, CTC/CTP	-	-	1	1	1	-
23	5021826	Kit, Install Mods, Support Plate	-	-	-	-	1	1
24	5021827	Kit, Install Mods, Support Plate Cover	-	1	-	1	-	-
25	5021890	Kit, Install Mods, Support Plate	1	-	-	-	-	-
26	5021892	Kit, Install Mods, Support Plate Cover	-	-	1	-	-	-
27	BU-3419	3/8" Black Hole Bushing	-	-	-	-	2	2
28	DT-35704	Plastic Drip Tray Assembly 7-20	-	-	1	1	-	-
29	DT-35789	Plastic Drip Tray Assembly 6-10	1	1	-	-	-	-
30	DT-36228	Plastic Drip Tray Assembly 20-20	-	-	-	-	1	-
31	DT-36229	Plastic Drip Tray Assembly 20-10	-	-	-	-	-	1
32	HD-28789	Handle, Pull Recessed, Black	1	1	1	1	1	1
33	NU-23909	Nut, Hex Insert M5	6	7	7	7	7	7
34	RI-27108	Rivet, Sealed	16	16	20	20	20	16
35	SC-22271	Screw, M4 x 0.7 x 6mm Pan	2	2	2	2	2	2
36	SC-22753	Screw, M6 S/S Round Shoulder	2	1	2	1	1	2
37	SC-22766	Screw, M5 x 0.8 x 10mm Pan	5	5	5	5	5	5
38	TT-36255	Thermostat, Thermal Cut-out	1	1	1	1	1	1
39	WS-22295	Washer, Flat M5 S/S	4	4	4	4	4	4
40	WS-22301	Washer, M5 Split Lock	4	4	4	4	4	4

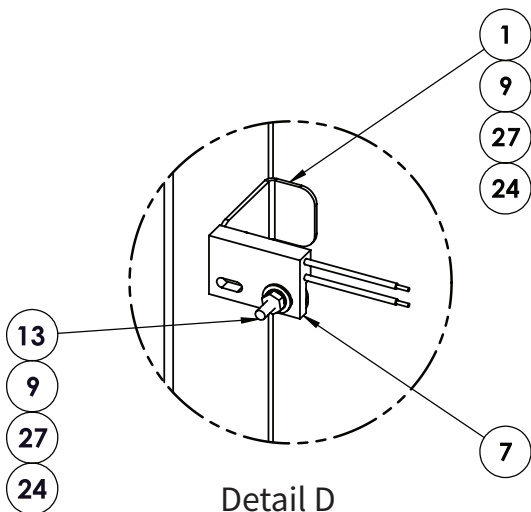
PANELS, FASTENERS: 6-10, 10-10 PRIOR TO 09/17



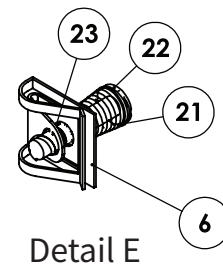
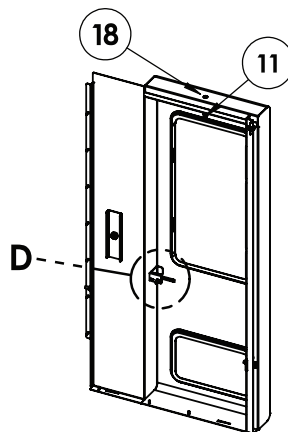
5015526
6-10
Non-Prison, CTP/CTC



5015036
10-10
Non-Prison, CTP/CTC

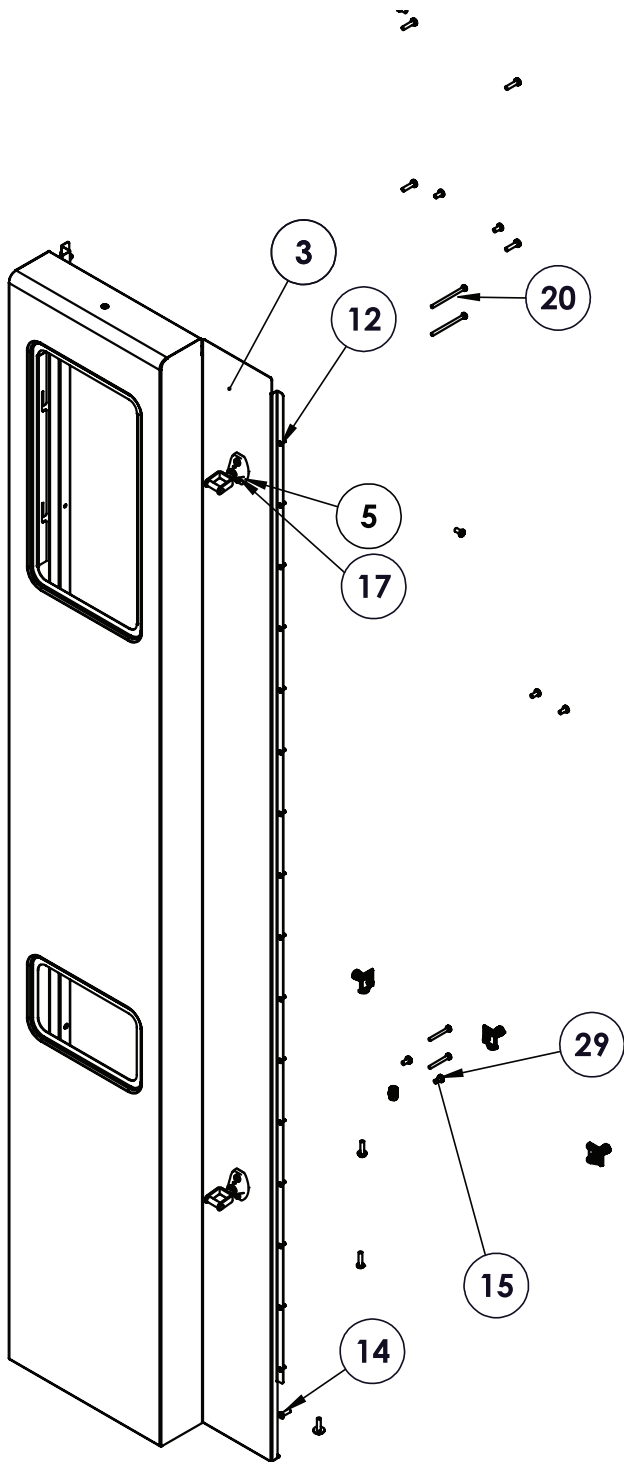


Detail D
Door Switch Installation
Typical All Assemblies



Detail E

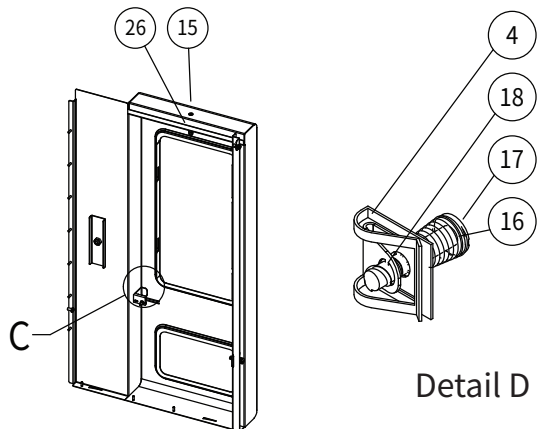
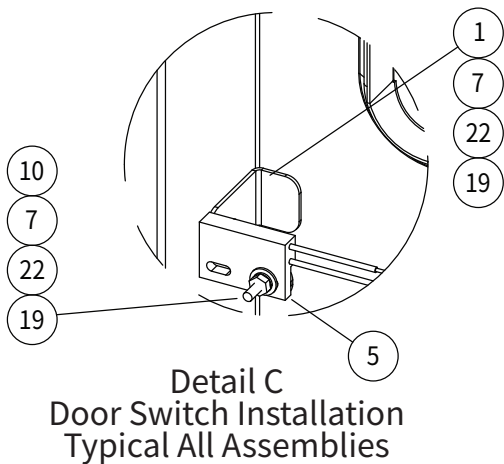
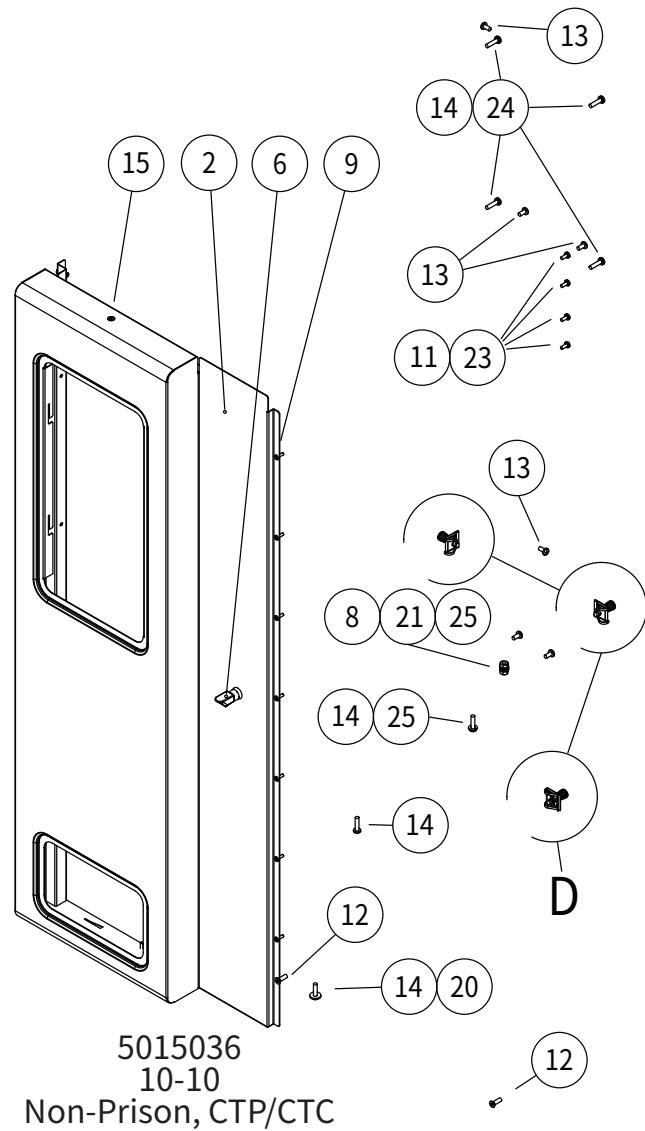
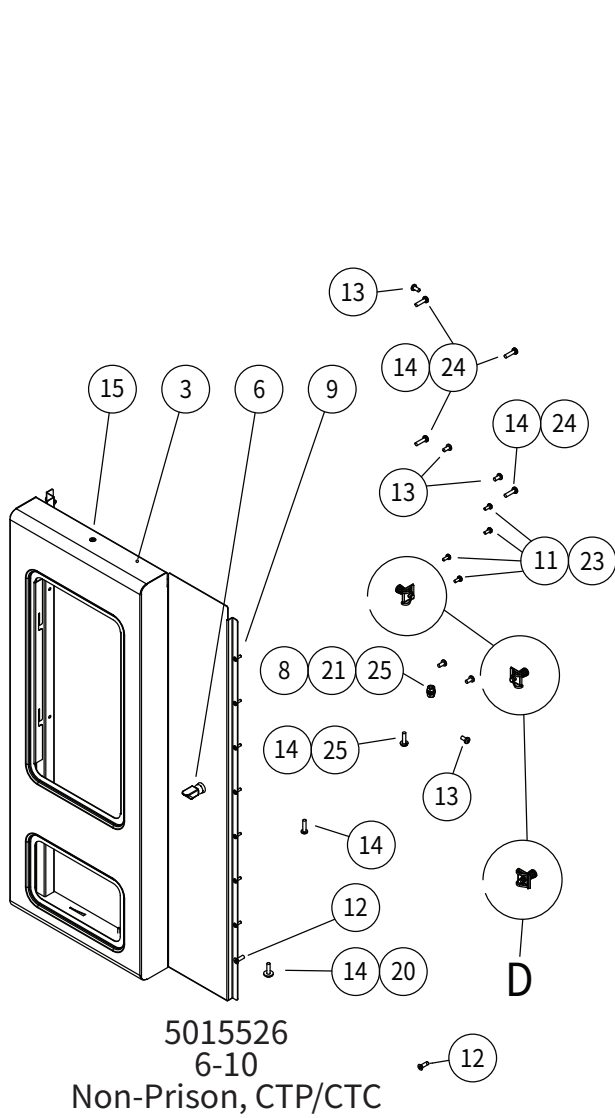
PANELS, FASTENERS: 20-10 PRIOR TO 09/17



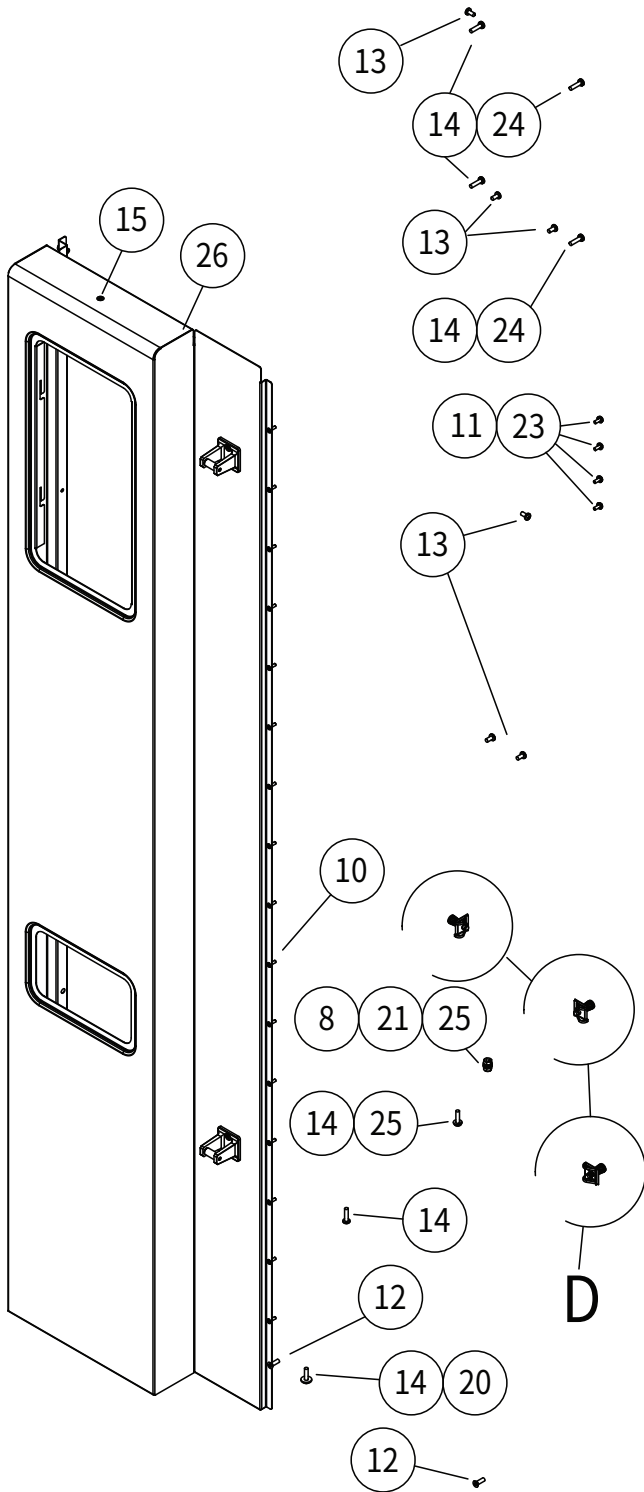
Item	Part	Description	5015526 6-10	5015036 10-10	5015037 20-10
			Qty.	Qty.	Qty.
1	1016109	Bracket, Door Switch	1	1	1
2	5015033	Control Housing Weldment, 10-10	1	-	-
3	5015034	Control Housing Weldment, 20-10	-	1	-
4	5015527	Control Housing Weldment, 6-10	-	-	1
5	BP-38451	Latch, Adjustable	-	2	-
6	CL-22196	Clip, CT, Holding, M6	4	4	4
7	LT-3738	Door, Interlock Switch	1	1	1
8	LT-38342	Latch, Door, Dog, Long Nose	1	-	1
9	NU-22285	Nut, M3-0.5 Hex Nut	2	2	2
10	NU-22291	M6-1.0 x Hex S/S Nut 18-8	2	2	2
11	NU-35233	Nut, M5 Domed	1	1	1
12	RI-27108	Rivet, Sealed	11	20	11
13	SC-22270	Screw, M3 x 0.5 x 16mm Pan	1	1	1
14	SC-22281	Screw, M5 x 0.8 x 16mm Flat	2	2	2
15	SC-22766	Screw, M5 x 0.8 x 10mm Pan	10	10	10
16	SC-22779	Screw, M5 x 0.8 x 20mm Pan	10	10	10
17	SC-23868	Screw, M5 x 0.8 x 20mm Flat	-	4	-
18	SC-35259	Screw, M5 x 0.8 x 50mm Flat	1	1	1
19	SC-35715	Screw, M4 x 0.7 x 35mm Pan	2	2	2
20	SC-36343	Screw, M4 x 0.7 x 60mm Pan	2	2	2
21	SD-22194	Spring, CT M6 x 48, Safety	4	4	4
22	ST-22193	Stud, CT M6 x 27mm, 1/4 Turn	4	4	4
23	WS-22195	Washer, Safety, Steel	4	4	4
24	WS-22293	Washer, Flat	3	3	3
25	WS-22296	Washer, M5 x 15mm , 18-8 S/S	2	2	2
26	WS-22297	Washer, Flat	2	2	2
27	WS-22299	Washer, M3 Split Lock	2	2	2
28	WS-22300	Washer, Split Lock	4	4	4
29	WS-22301	Washer, M5 Split Lock	6	6	6
30	WS-22302	Washer, Split Lock	6	6	6

5015037
20-10
Non-Prison, CTP/CTC

PANELS, FASTENERS: 6-10, 10-10 AFTER 09/17



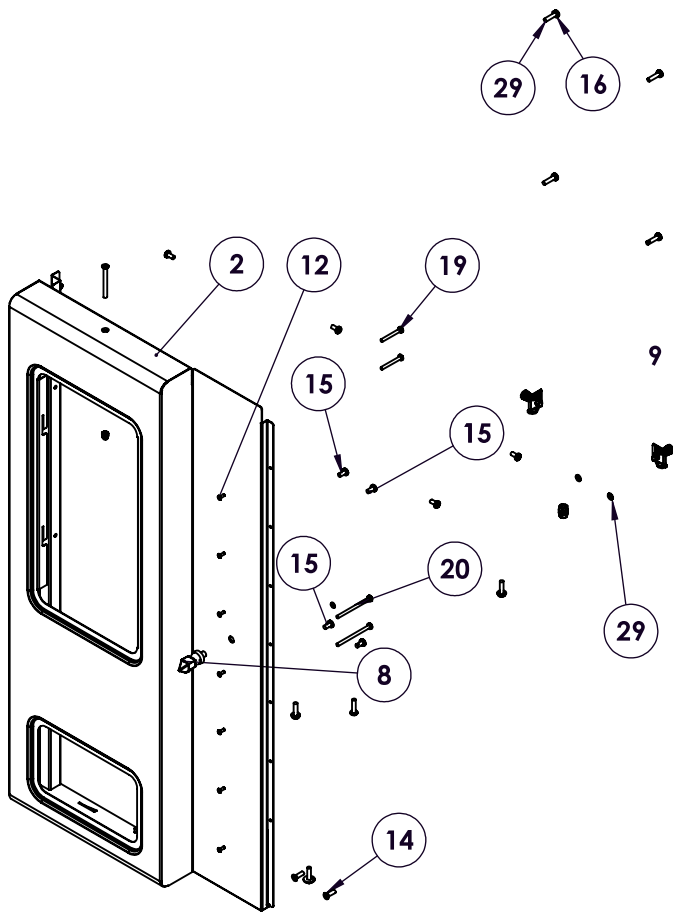
PANELS, FASTENERS: 20-10 AFTER 09/17



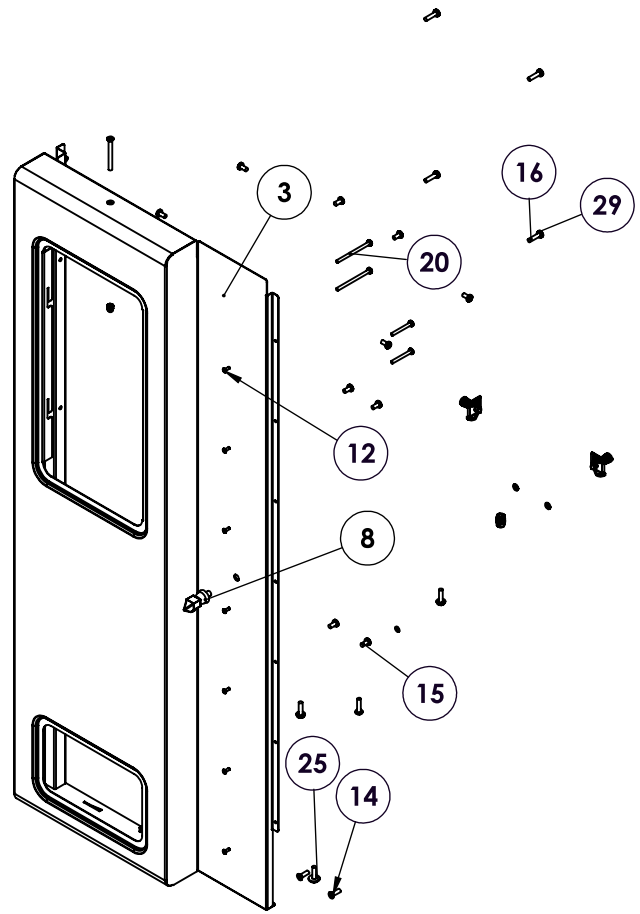
5015037
20-10
Non-Prison, CTP/CTC

Item	Part	Description			
			5015526 6-10	5015036 10-10	5015037 20-10
1	1016109	Bracket, Door Switch	1	1	1
2	5015033	Control Housing Weldment, 10-10	1	-	-
3	5015527	Control Housing Weldment, 6-10	-	-	1
4	CL-22196	Clip, CT, Holding, M6	4	4	4
5	LT-3738	Door, Interlock Switch	1	1	1
6	LT-38342	Latch, Door, Dog, Long Nose	1	-	1
7	NU-22285	Nut, M3-0.5 Hex Nut	2	2	2
8	NU-22291	M6-1.0 x Hex S/S Nut 18-8	2	2	2
9	RI-27108	Rivet, Sealed	11	20	11
10	SC-22270	Screw, M3 x 0.5 x 16mm Pan	1	1	1
11	SC-22273	Screw, M4 x 0.7 x 10mm Pan	1	1	1
12	SC-22281	Screw, M5 x 0.8 x 16mm Flat	2	2	2
13	SC-22766	Screw, M5 x 0.8 x 10mm Pan	10	10	10
14	SC-22779	Screw, M5 x 0.8 x 20mm Pan	10	10	10
15	SC-35259	Screw, M5 x 0.8 x 50mm Flat	1	1	1
16	SD-22194	Spring, CT M6 x 48, Safety	4	4	4
17	ST-22193	Stud, CT M6 x 27mm, 1/4 Turn	4	4	4
18	WS-22195	Washer, Safety, Steel	4	4	4
19	WS-22293	Washer, Flat	3	3	3
20	WS-22296	Washer, M5 x 15mm , 18-8 S/S	2	2	2
21	WS-22297	Washer, Flat	2	2	2
22	WS-22299	Washer, M3 Split Lock	2	2	2
23	WS-22300	Washer, Split Lock	4	4	4
24	WS-22301	Washer, M5 Split Lock	6	6	6
25	WS-22302	Washer, Split Lock	6	6	6
26	5015034	Control Housing Weldment, 20-10	-	1	-

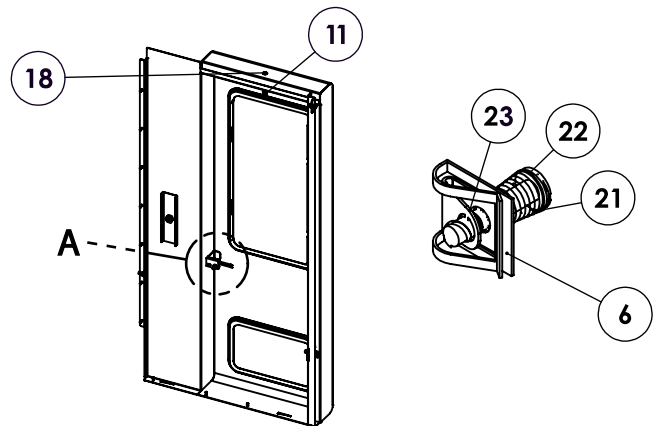
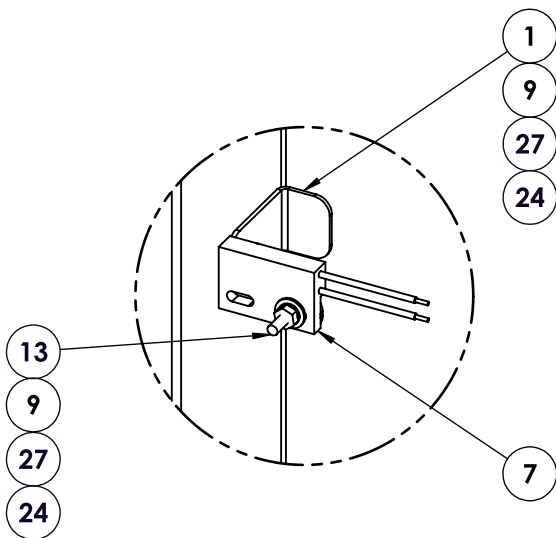
PANELS, FASTENERS: 7-20, 10-20 PRIOR TO 09/17



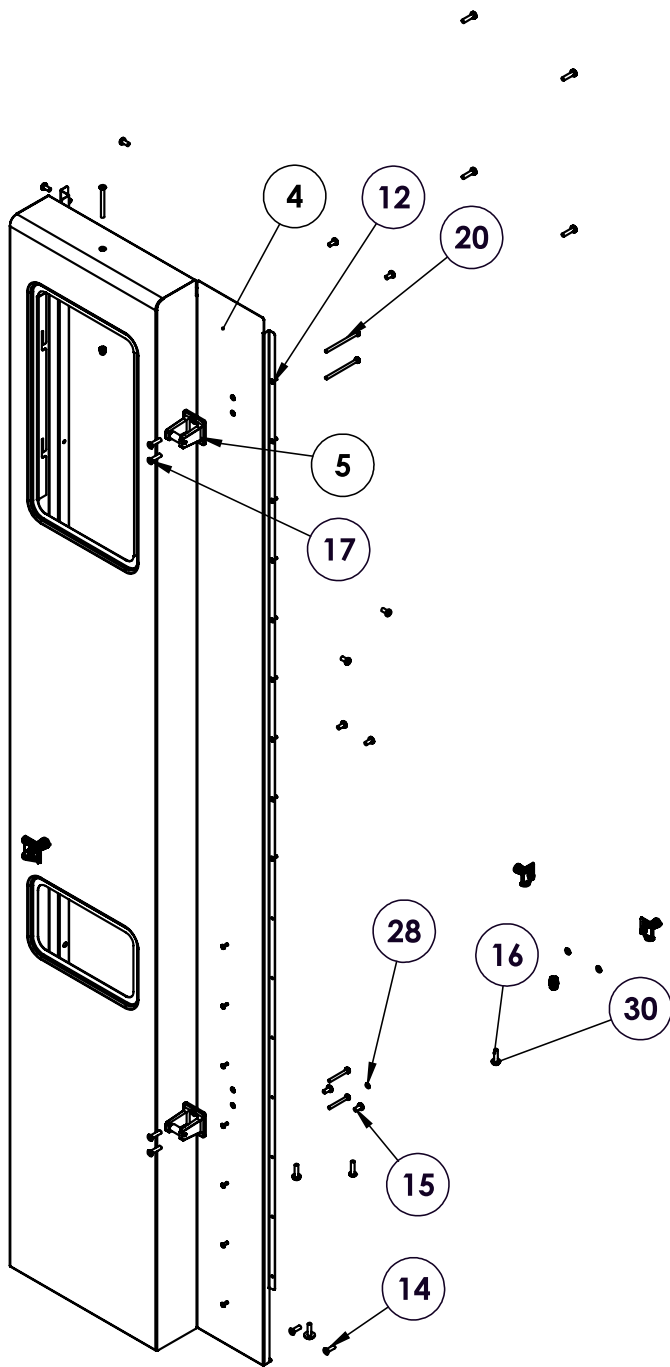
5015035
7-20
Non-Prison, CTP/CTC



5016166
10-20
Non-Prison, CTP/CTC



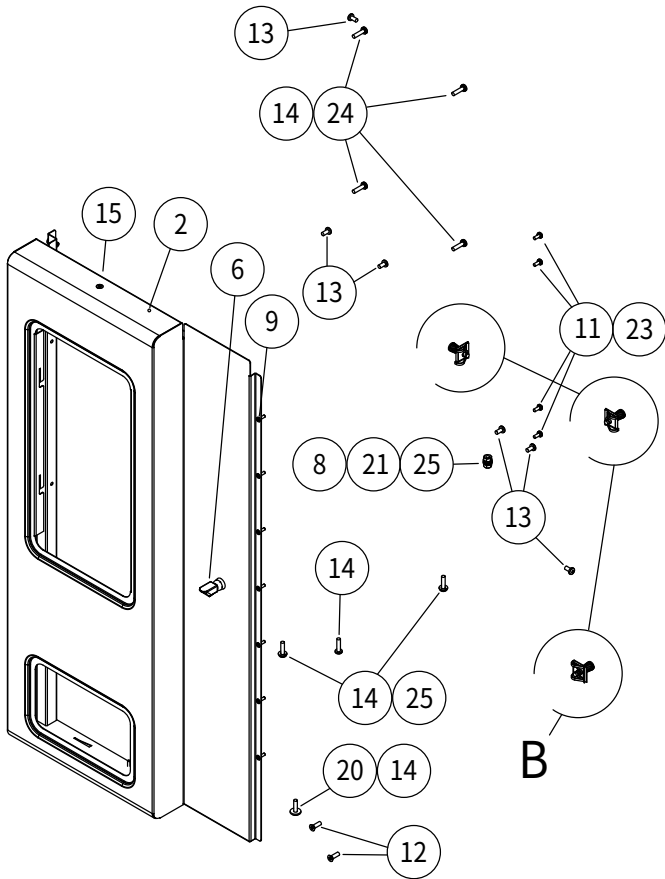
PANELS, FASTENERS: 20-20 PRIOR TO 09/17



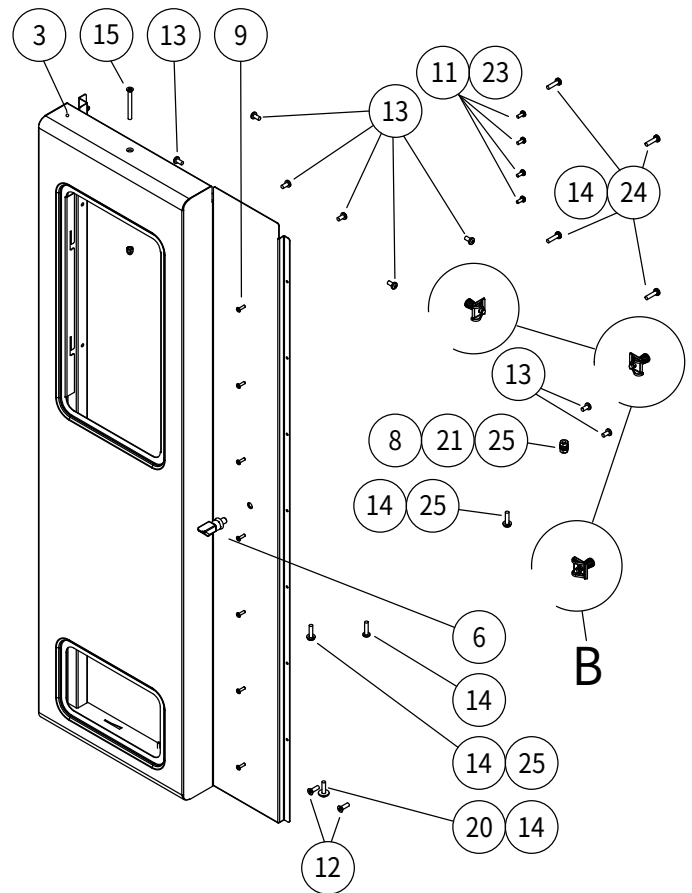
Item	Part	Description	5015035	5016166	5016167
			Qty.	Qty.	Qty.
1	1016109	Bracket, Door Switch	1	1	1
2	5015032	Control Housing Weldment, 7-20	1	-	-
3	5015033	Control Housing Weldment, 10-10	-	1	-
4	5015034	Control Housing Weldment, 20-10	-	-	1
5	BP-35329	Bolt Closure Keep, Floor Unit	-	-	2
6	CL-22196	Clip, CT, Holding, M6	4	4	4
7	LT-3738	Door, Interlock Switch	1	1	1
8	LT-38342	Latch, Door, Dog, Long Nose	1	1	-
9	NU-22285	Nut, M3-0.5 Hex Nut	2	2	2
10	NU-22291	M6-1.0 x Hex S/S Nut 18-8	2	2	2
11	NU-35233	Nut, M5 Domed	1	1	1
12	RI-27108	Rivet, Sealed	11	11	20
13	SC-22270	Screw, M3 x 0.5 x 16mm Pan	1	1	1
14	SC-22281	Screw, M5 x 0.8 x 16mm Flat	2	2	2
15	SC-22766	Screw, M5 x 0.8 x 10mm Pan	10	10	10
16	SC-22779	Screw, M5 x 0.8 x 20mm Pan	10	10	10
17	SC-23868	Screw, M5 x 0.8 x 20mm Flat	-	-	4
18	SC-35259	Screw, M5 x 0.8 x 50mm Flat	1	1	1
19	SC-35715	Screw, M4 x 0.7 x 35mm Pan	2	2	2
20	SC-36343	Screw, M4 x 0.7 x 60mm Pan	2	2	2
21	SD-22194	Spring, CT M6 x 48, Safety	4	4	4
22	ST-22193	Stud, Ct M6 x 27mm, 1/4 Turn	4	4	4
23	WS-22195	Washer, Safety, Steel	4	4	4
24	WS-22293	Washer, Flat	3	3	3
25	WS-22296	Washer, M5 x 15mm , 18-8 S/S	2	2	2
26	WS-22297	Washer, Flat	2	2	2
27	WS-22299	Washer, M3 Split Lock	2	2	2
28	WS-22300	Washer, Split Lock	4	4	4
29	WS-22301	Washer, M5 Split Lock	6	6	6
30	WS-22302	Washer, Split Lock	6	6	6

5016167
20-20
Non-Prison, CTP/CTC

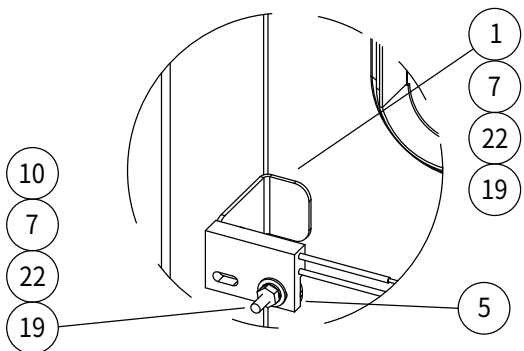
PANELS, FASTENERS: 7-20, 10-20 AFTER 09/17



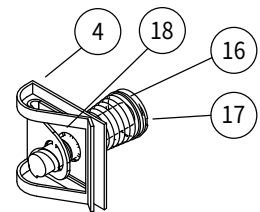
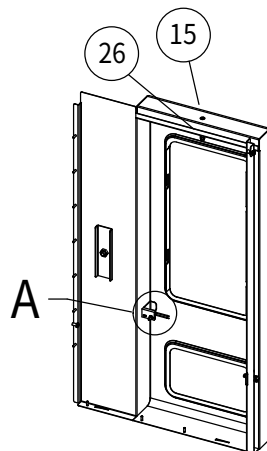
5015035
7-20
Non-Prison, CTP/CTC



5016166
10-20
Non-Prison, CTP/CTC

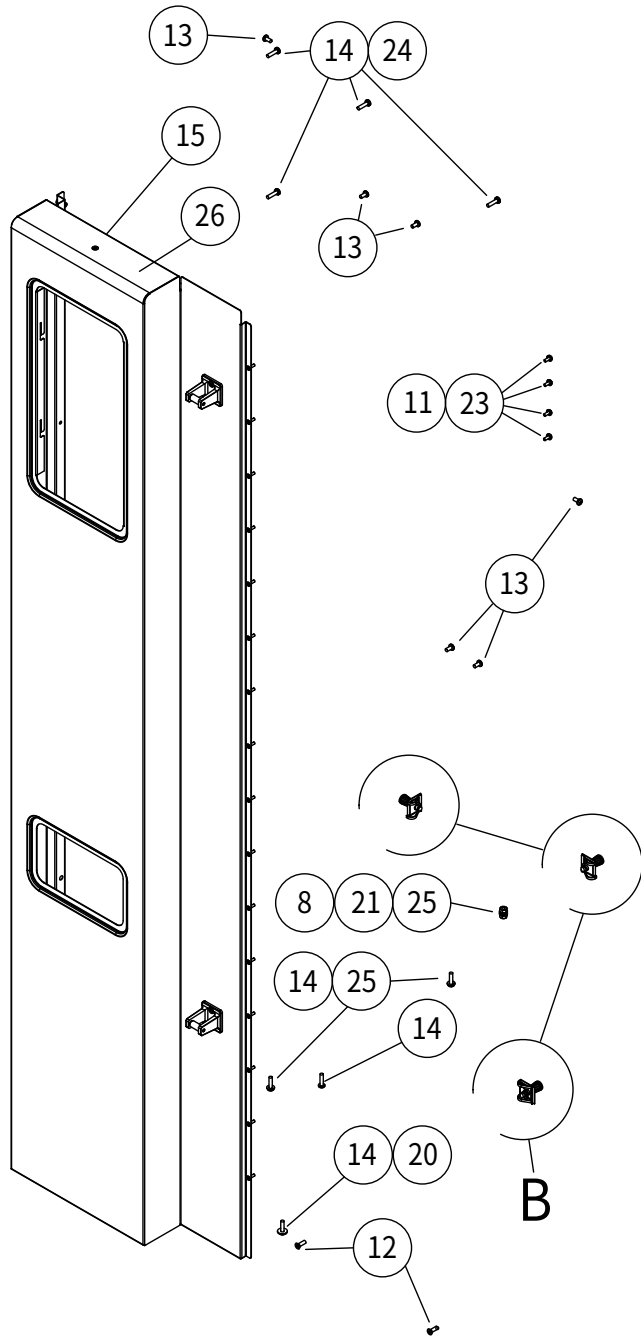


Detail A
Door Switch Installation
Typical All Assemblies



Detail B

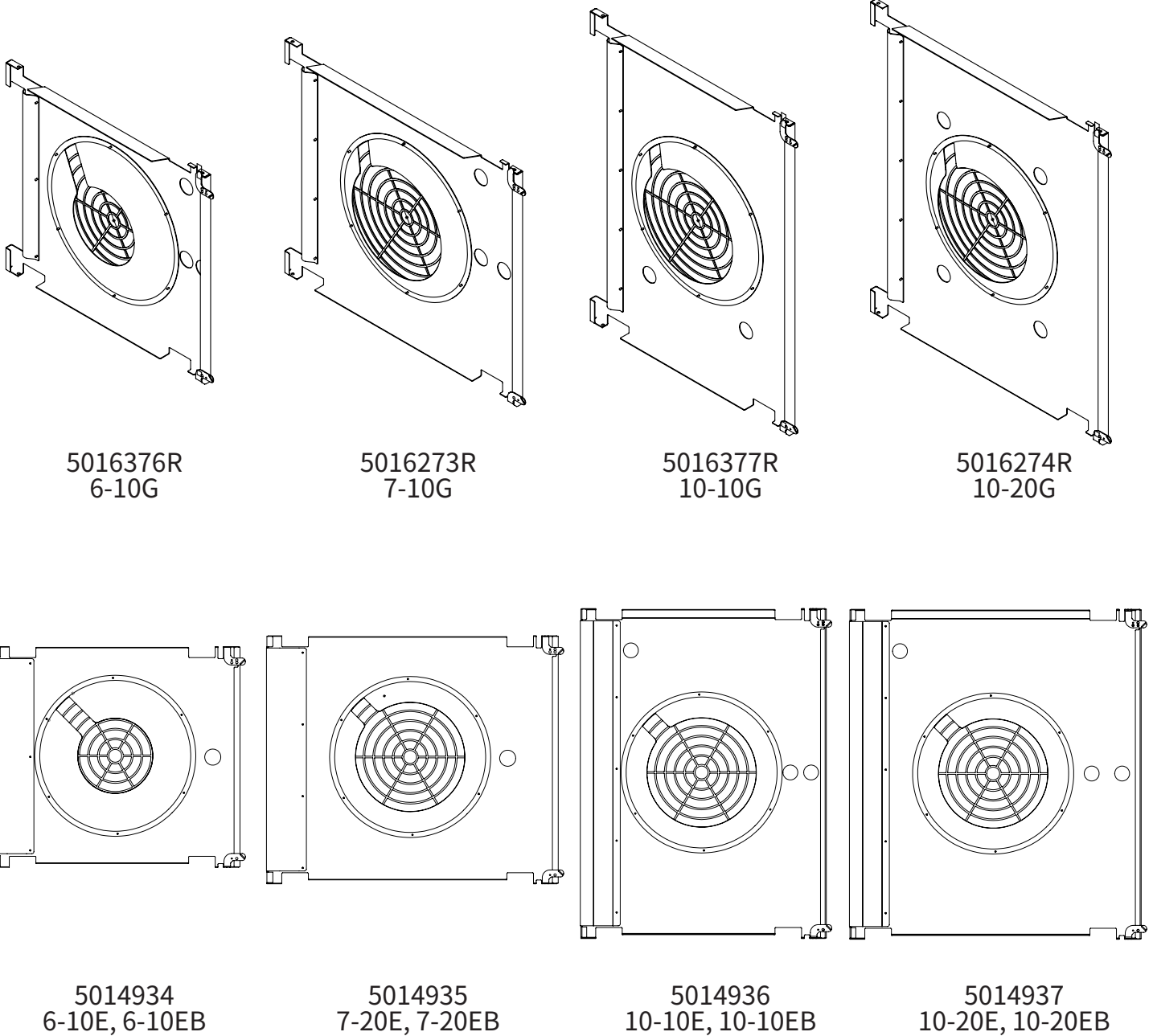
PANELS, FASTENERS: 20-20 AFTER 09/17



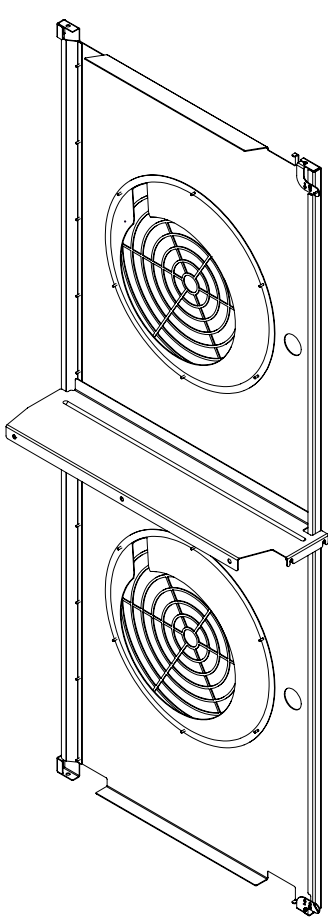
Item	Part	Description	5015035	5016166	5016167
			Qty.	Qty.	Qty.
1	1016109	Bracket, Door Switch	1	1	1
2	5015032	Control Housing Weldment, 7-20	1	-	-
3	5015033	Control Housing Weldment, 10-10	-	1	-
4	CL-22196	Clip, CT, Holding, M6	4	4	4
5	LT-3738	Door, Interlock Switch	1	1	1
6	LT-38342	Latch, Door, Dog, Long Nose	1	1	-
7	NU-22285	Nut, M3-0.5 Hex Nut	2	2	2
8	NU-22291	M6-1.0 x Hex S/S Nut 18-8	2	2	2
9	RI-27108	Rivet, Sealed	11	11	20
10	SC-22270	Screw, M3 x 0.5 x 16mm Pan	1	1	1
11	SC-22273	Screw, M4 x 0.7 x 10mm Pan	1	1	1
12	SC-22281	Screw, M5 x 0.8 x 16mm Flat	2	2	2
13	SC-22766	Screw, M5 x 0.8 x 10mm Pan	10	10	10
14	SC-22779	Screw, M5 x 0.8 x 20mm Pan	10	10	10
15	SC-35259	Screw, M5 x 0.8 x 50mm Flat	1	1	1
16	SD-22194	Spring, CT M6 x 48, Safety	4	4	4
17	ST-22193	Stud, Ct M6 x 27mm, 1/4 Turn	4	4	4
18	WS-22195	Washer, Safety, Steel	4	4	4
19	WS-22293	Washer, Flat	3	3	3
20	WS-22296	Washer, M5 x 15mm , 18-8 S/S	2	2	2
21	WS-22297	Washer, Flat	2	2	2
22	WS-22299	Washer, M3 Split Lock	2	2	2
23	WS-22300	Washer, Split Lock	4	4	4
24	WS-22301	Washer, M5 Split Lock	6	6	6
25	WS-22302	Washer, Split Lock	6	6	6
26	5015034	Control Housing Weldment, 20-10	-	-	1

5016167
20-20
Non-Prison, CTP/CTC

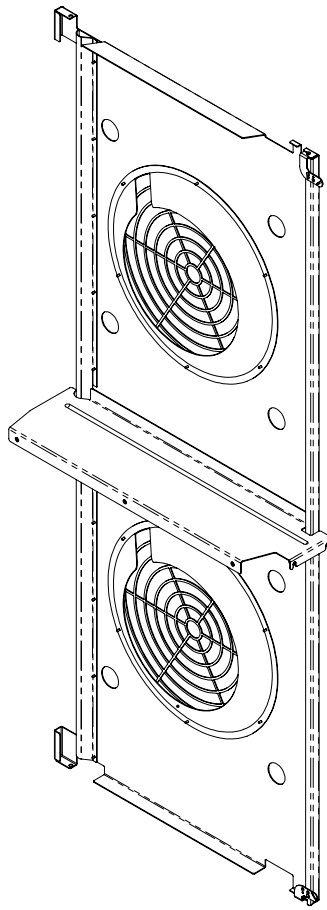
DIRECTIONAL PANELS: 6-10, 7-20, 10-10, 10-20



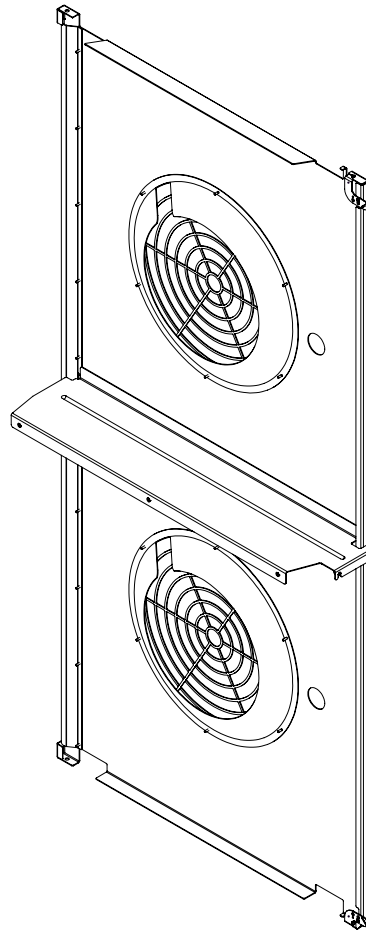
DIRECTIONAL PANELS: 20-10, 20-20



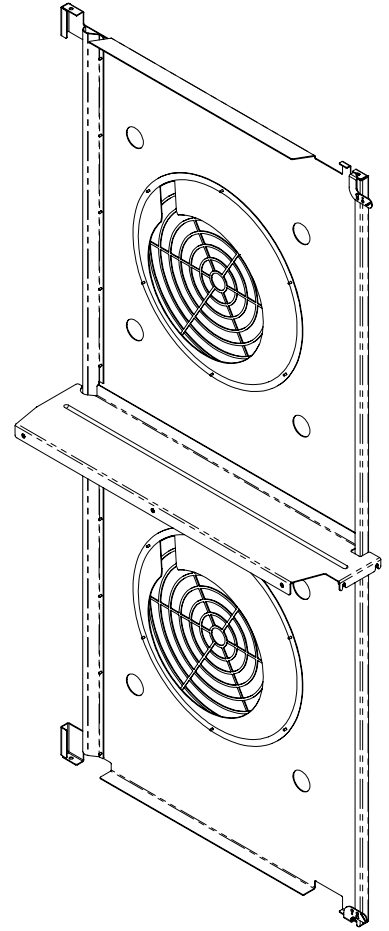
5015293R
20-10E, 20-10EB



5016378R
20-10G

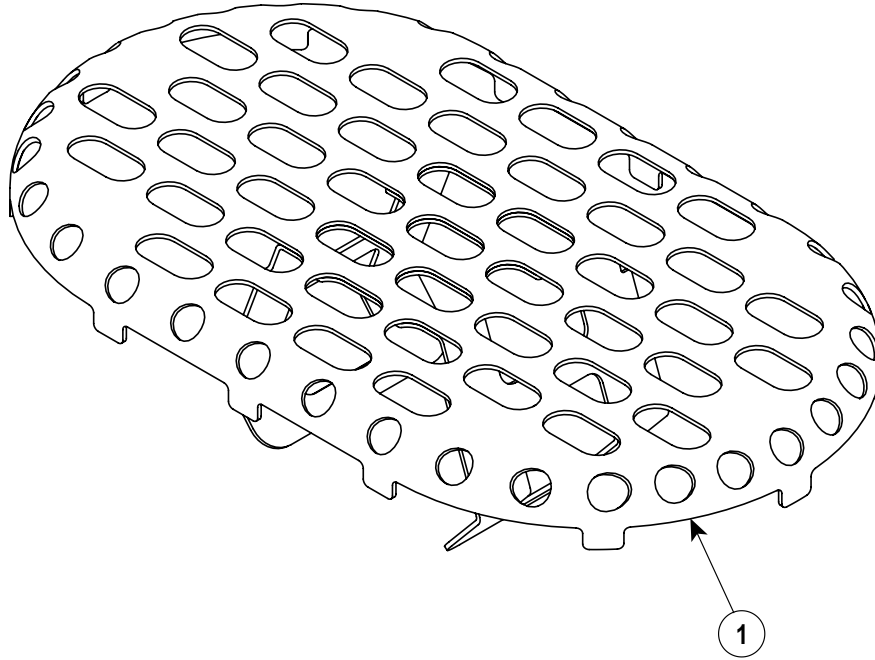


5015294R
20-20E, 20-20EB



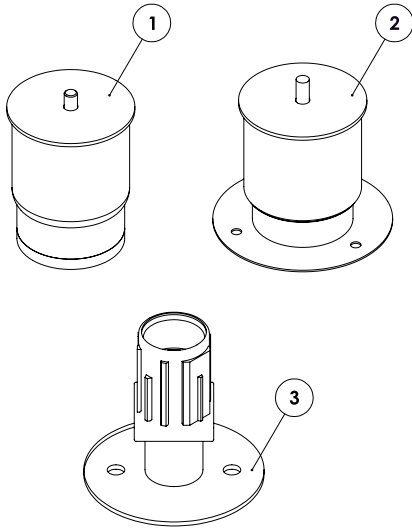
5016281R
20-20G

DRAIN SCREEN



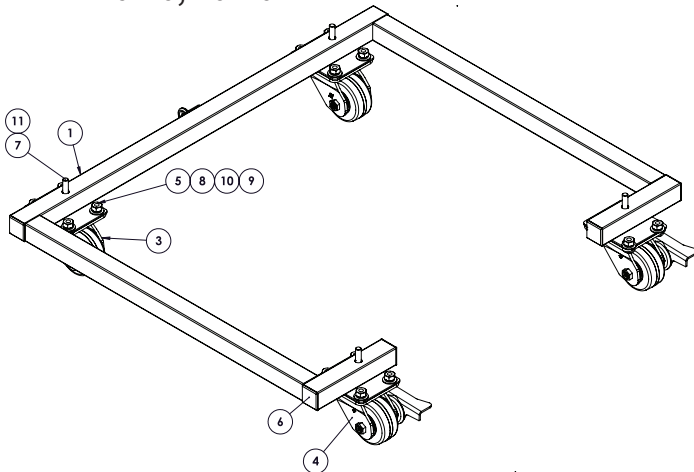
Item	Part	Description	Qty.
1	5016194	Drain Screen	1

FEET AND CASTERS

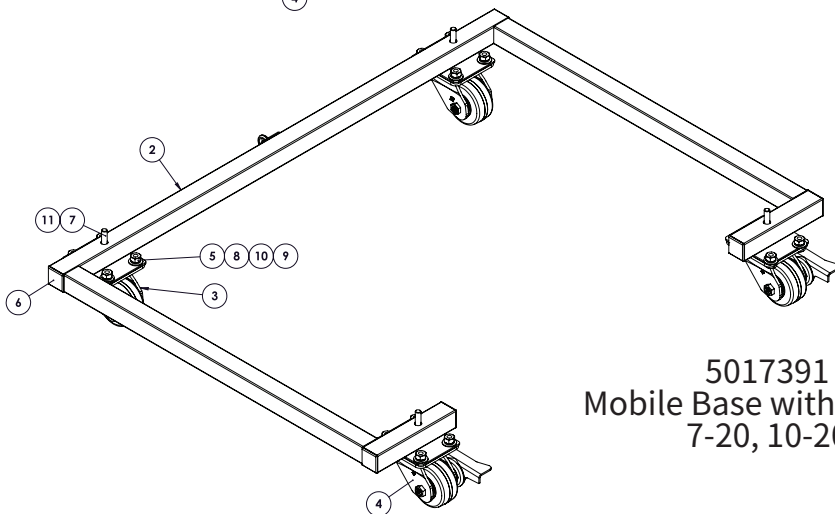


Item	Part	Description	Qty.
1	FE-36975	Foot, Table Top Models, Adjustable	4
2	FE-36872	Foot, Seismic, Table Top Models, Adjustable	4
3	FE-2916	Foot, Floor Models, Flanged	4

5017404
Mobile Base with Casters
6-10, 10-10



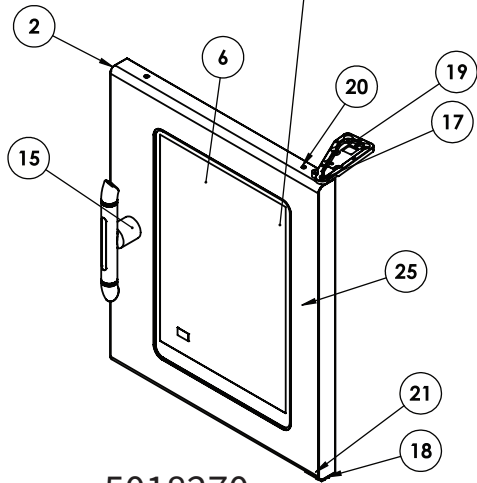
Item	Part	Description	5017391	5017404
			Qty.	Qty.
1	5017405	Frame, Weldment, Mobile Base	-	1
2	5017406	Frame, Weldment, Mobile Base,	1	-
3	CS-36744	Caster, Swivel, No Brake	2	2
4	CS-36745	Caster, Swivel, with Brake	2	2
5	NU-22550	3/8 x 16 Hex Nut 18-8 S/S	16	16
6	PG-24764	Plug, 1.5" Sq Tubing	6	6
7	SC-28082	Screw, M10 x 1.5 x 30mm Hex	4	4
8	SC-29279	Screw, Carriage, 3/8-16 x 1, S/S	16	16
9	WS-22095	Washer, 3/8" ID, 1" OD, Flat	16	16
10	WS-22096	Washer, Split Lock	16	16
11	WS-22633	Washer, M10 Split Lock	4	4



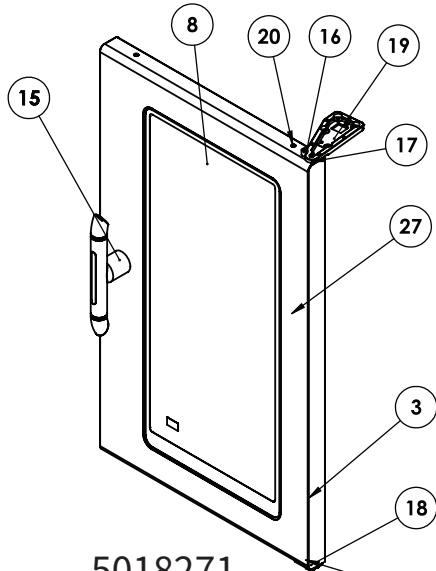
5017391
Mobile Base with Casters
7-20, 10-20

DOOR SERVICE KIT – RIGHT HINGED

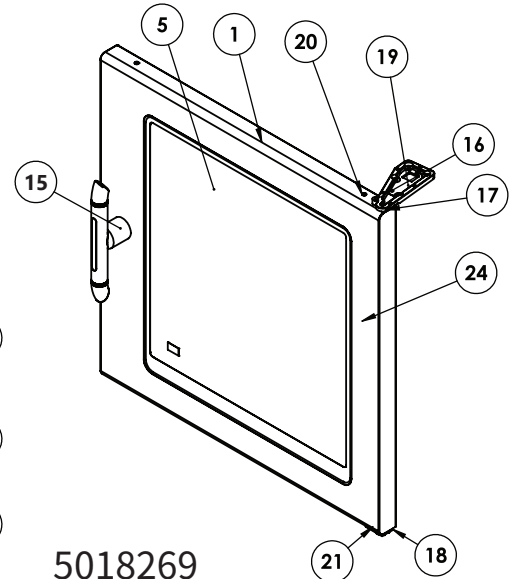
3/16" Bead of Epoxy (#9300) required on All Four (4) glass Edges



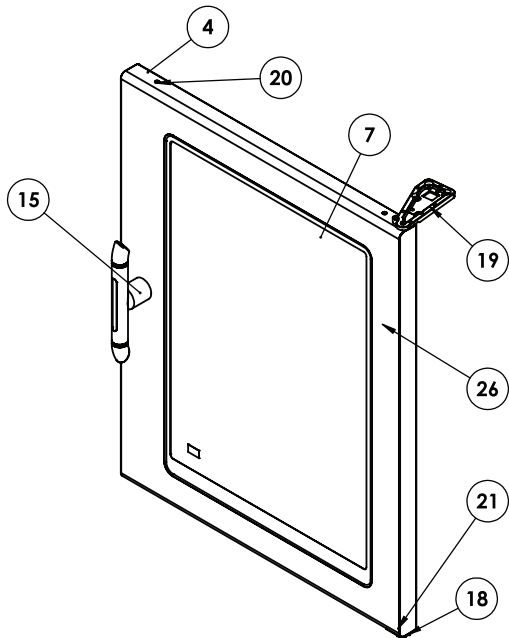
5018270
Door Service Kit, 20-10
CTP/CTC



5018271
Door Service Kit, 10-10
CTP/CTC



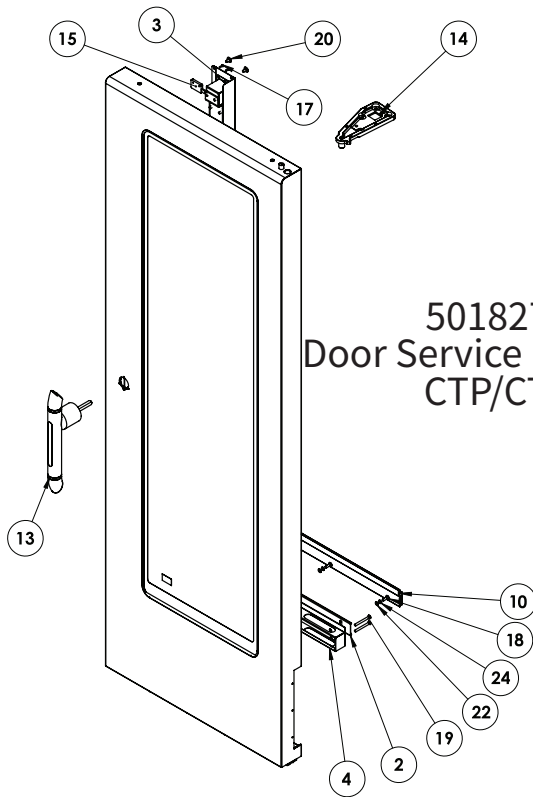
5018269
Door Service Kit, 7-20
CTP/CTC



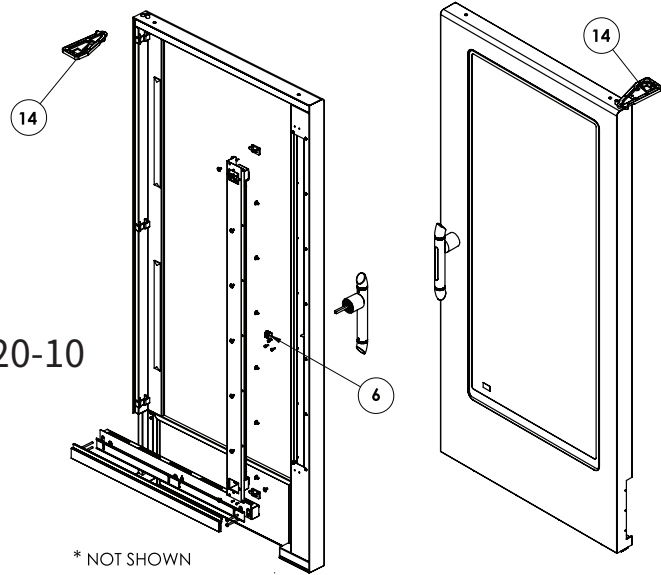
5018272
Door Service Kit, 10-20
CTP/CTC

Item	Part	Description	5018269	5018270	5018272	5018271
			Qty.	Qty.	Qty.	Qty.
1	1013179	Outer Door, 7-20, RH	1	-	-	-
2	1013211	Outer Door, 6-10, RH	-	1	-	-
3	1013212	Outer Door, 10-10, RH	-	-	-	1
4	1013213	Outer Door, 10-20, RH	-	-	1	-
5	5014952	Door, Outer, Frame, 7-20	1	-	-	-
6	5015063	Door, Outer, Frame, 6-10	-	1	-	-
7	5015390	Door, Outer, Frame, 10-20	-	-	1	-
8	5015409	Door, Outer, Frame, 10-10	-	-	-	1
9	CR-34967	Connector, 2 Conductor	2	2	2	2
10	CR-36213	Connector, Receptacle Housing	1	1	1	1
11	CR-36214	JST Connector, Tap Housing	1	1	1	1
12	CR-36215	JST Connector, Tap Contact	2	2	2	2
13	CR-36216	Connector, Receptacle Contact	2	2	2	2
14	CV-35758	Cover, Handle, Plastic	1	1	1	1
15	HD-35197	Handle, Pendulum, Combi, T-shape	1	1	1	1
16	HG-35503	Hinge, Upper Door Stop	1	1	1	1
17	HG-35504	Hinge, Anchor	2	2	2	2
18	HG-35505	Hinge, Upper Ratchet, with Radius	1	1	1	1
19	HG-35963	Hinge, Top, Combi Door, with Pin	1	1	1	1
20	SC-22281	Screw, M5 x 0.8 x 16mm Flat	4	4	4	4
21	SC-22282	Screw, M6 x 1 x 16mm Oval	1	1	1	1
22	SC-23141	Screw, M4 x 0.7 x 12mm Flat	2	2	2	2
23	SC-36662	Screw, M4 x 0.7 x 12mm Hex SCH	3	3	3	3
24	TA-37218	Tape, 1.00" x 0.062" Thk x 104" (8.7 Ft) Lg	1	-	-	-
25	TA-37218	Tape, 1.00" x 0.062" Thk x 82" (6.9 Ft) Lg	-	1	-	-
26	TA-37218	Tape, 1.00" x 0.62" Thk x 118" (9.9 Ft) Lg	-	-	1	-
27	TA-37218	Tape, 1.00" x 0.62" Thk x 105" (8.8 Ft) Lg	-	-	-	1
24	TA-36236	Tape, Double Sided	1	-	-	-
25	TA-36236	Tape, Double Sided	-	1	-	-
26	TA-36236	Tape, Double Sided	-	-	1	-
27	TA-36236	Tape, Double Sided	-	-	-	1

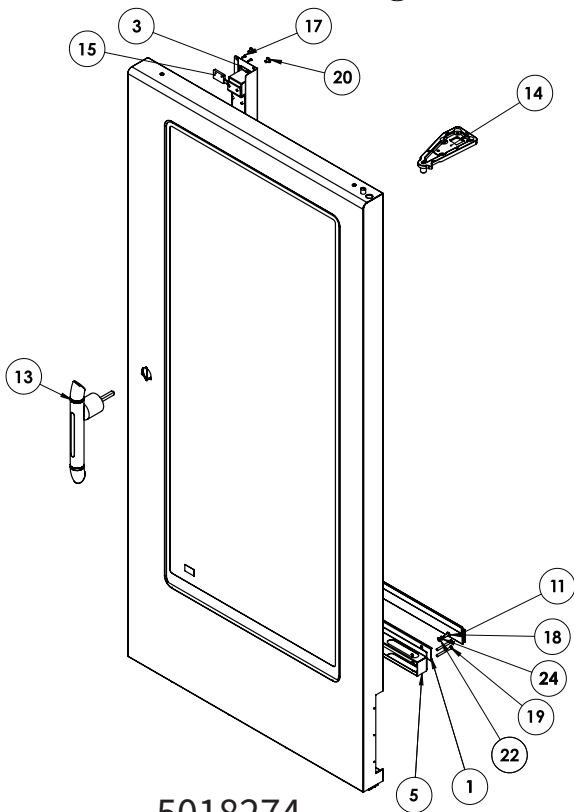
DOOR SERVICE KIT – RIGHT HINGED



5018273
Door Service Kit, 20-10
CTP/CTC



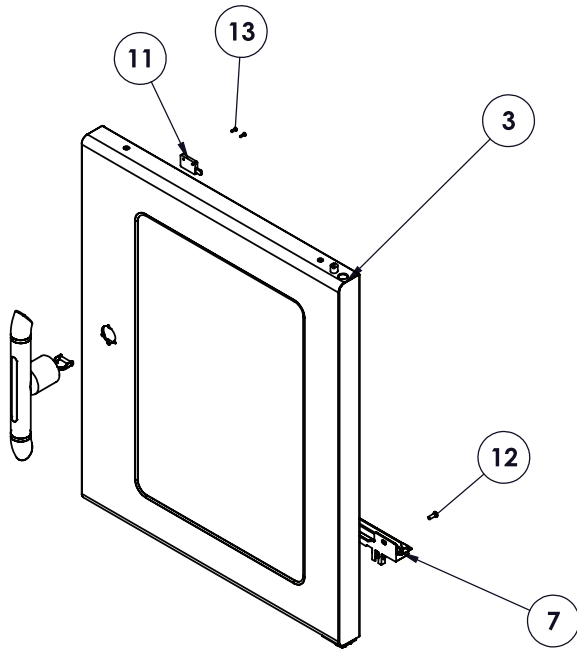
* NOT SHOWN



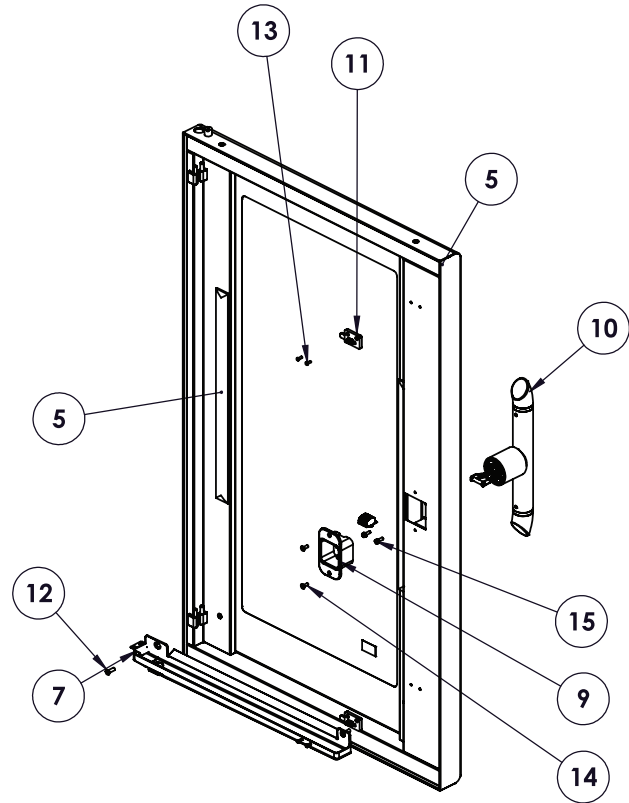
5018274
Door Service Kit, 20-20
CTP/CTC

Item	Part	Description	5018274 Qty.	5018273 Qty.
	5018273	Outer Door Service Kit, 20-10 CTC/CTP		
	5018274	Outer Door Service Kit, 20-20 CTC/CTP		
1	1014883	Sweep Gasket Holder, Gen-2	1	-
2	1014913	Sweep Gasket Holder, Gen-2	-	1
3	5015258	20-20 & 20-10, Door Handle Housing Assembly	1	1
4	5017399	Bracket, Sweep, Weldment, 20-20	1	-
5	CR-34967	Connector, 2 Conductor	2	2
6	CR-36213	Connector, Receptacle Housing	1	1
7	CR-36214	JST Connector, Tap Housing	1	1
8	CR-36215	JST Connector, Tap Contact	2	2
9	CR-36216	Connector, Receptacle Contact	2	2
10	GS-37060	Sweep Gasket, Gen 3, 20-20 CTP	1	-
11	GS-37061	Sweep Gasket, Gen 3, 20-10 CTP	-	1
12	-	-	-	-
13	HD-35325R	Handle, Service Kit	1	1
14	HG-35669	Hinge, Top, Combi Door,	1	1
15	NU-23909	Nut, Hex Insert M5	3	3
16	SC-23102	Screw, M3 x 0.5 x 10mm Flat	4	4
17	SC-27109	M5 x 16 Truss Head Screw	3	3
18	SC-35259	Screw, M5 x 0.8 x 50mm Flat	4	4
19	SC-36350	Screw, M5 x 0.8 x 10mm BTN FLG	15	15
20	SC-36662	Screw, M4 x 0.7 x 12mm Hex SCH	3	3
21	WS-22295	Washer, Flat M5 S/S	3	3
22	WS-22300	Washer, M4 Split Lock	3	3
23	WS-22301	Washer, M5 Split Lock	3	3
24	5017398	20-10 Bracket, Sweep, Weldment	-	1

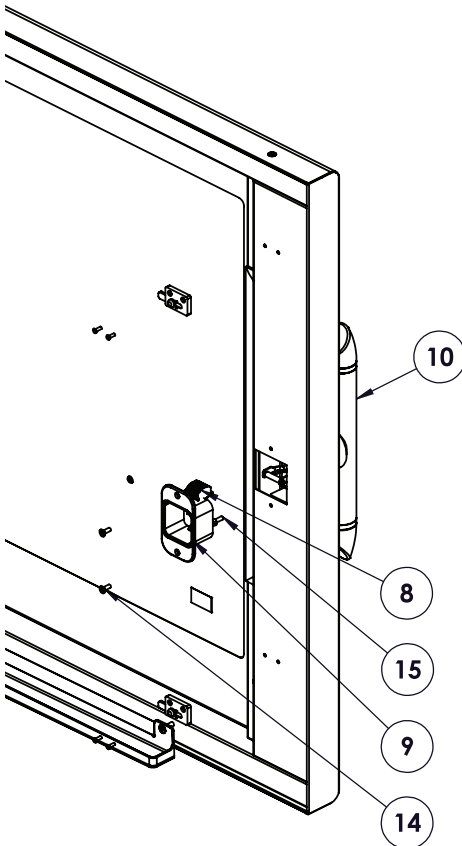
DOOR ASSEMBLY – RIGHT HINGED



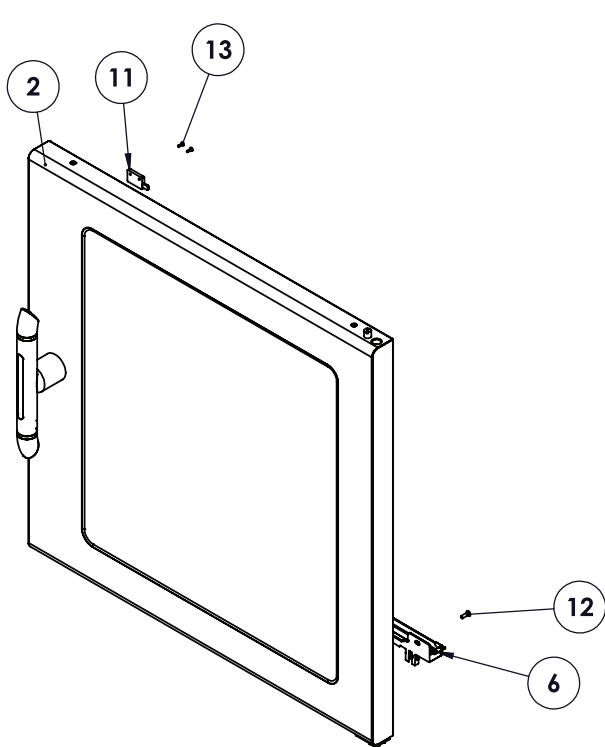
5015065
Door Assembly, 6-10
CTP/CTC



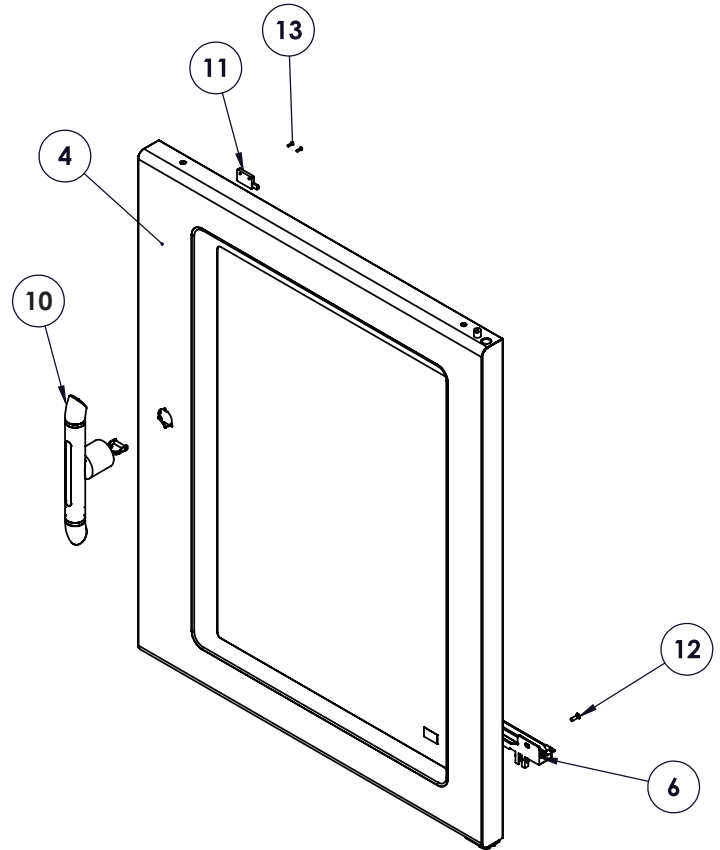
5015416
Door Assembly, 10-10
CTP/CTC



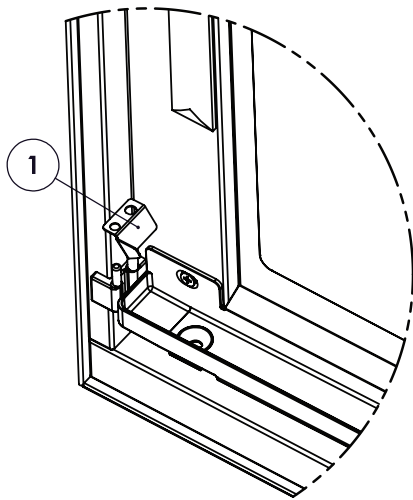
DOOR ASSEMBLY – RIGHT HINGED



5014953
Door Assembly, 7-20
CTP/CTC



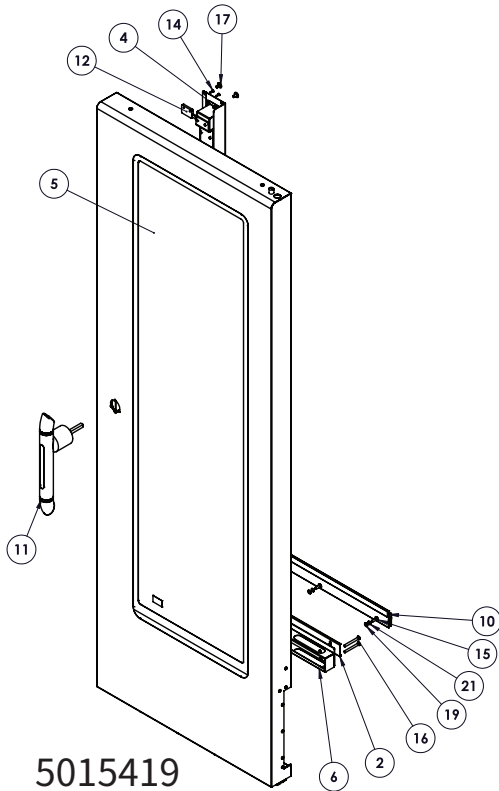
5015408
Door Assembly, 10-20
CTP/CTC



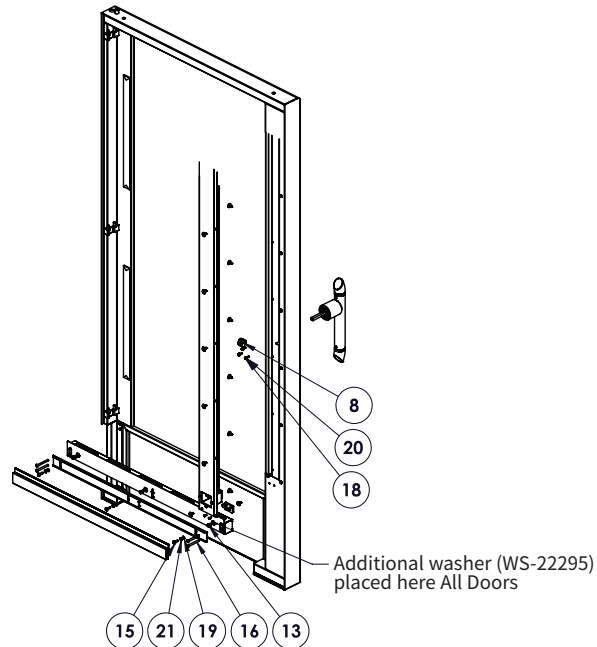
Detail A
Slide over lower hinge

Item	Part	Description	5014953 Qty.	5015065 Qty.	5015408 Qty.	5015416 Qty.
1	1016241	Drip Clip, Table Top Doors	1	1	1	1
2	5014933	Door, Outer, 10-10, RH	1	-	-	-
3	5015062	Door, Outer, 6-10, RH	-	1	-	-
4	5015397	Door, Outer, 10-20, RH	-	-	1	-
5	5015410	Door, Outer, 10-10, RH	-	-	-	1
6	5016716	Drip Tray Assembly, Combi Door, 2013	1	-	1	-
7	5016717	Drip Tray Assembly, Combi Door, 2013	-	1	-	1
8	CR-34967	Connector, 2 Conductor	2	2	2	2
9	CV-35758	Cover, Handle, Plastic	1	1	1	1
10	HD-35197	Handle, Pendulum, Combi, T-shape	1	1	1	1
11	LT-36064	Latch, Inner Glass Locking	2	2	2	2
12	SC-23102	Screw, M3 x 0.5 x 10mm Flat	4	4	4	4
13	SC-23141	Screw, M4 x 0.7 x 12mm Flat	2	2	2	2
14	SC-36350	Screw, M5 x 0.8 x 10mm BTN FLG	2	2	2	2
15	SC-36662	Screw, M4 x 0.7 x 12mm Hex SCH	3	3	3	3
16	WS-22300	Washer, M4 Split Lock	3	3	3	3

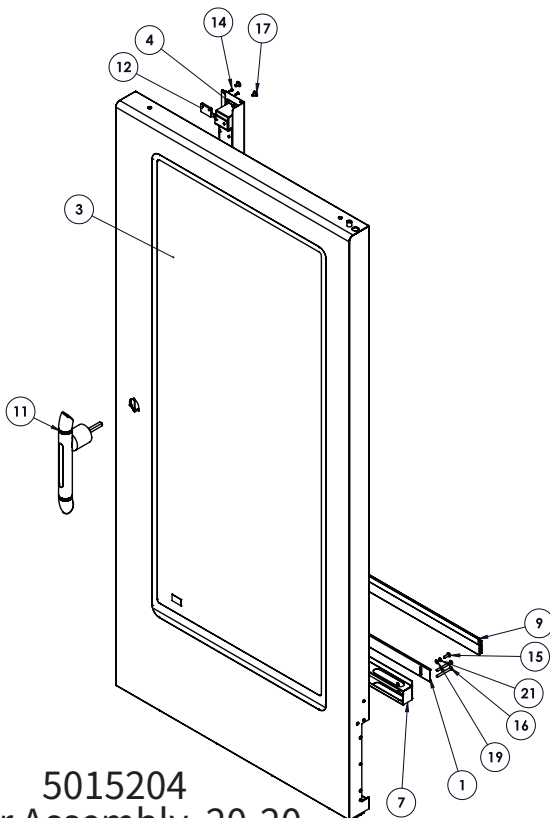
DOOR ASSEMBLY – RIGHT HINGED



5015419
Door Assembly, 20-10
CTP/CTC



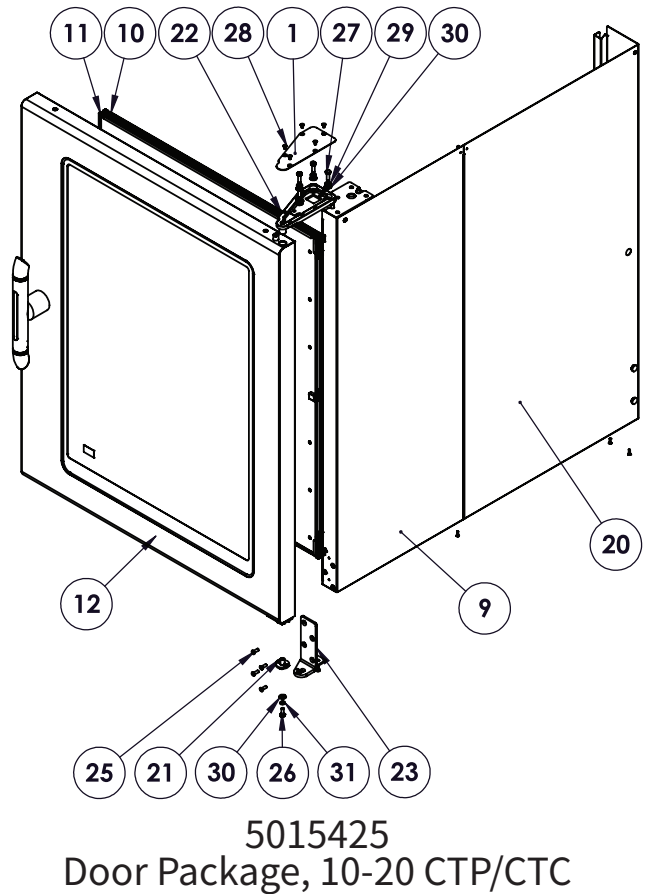
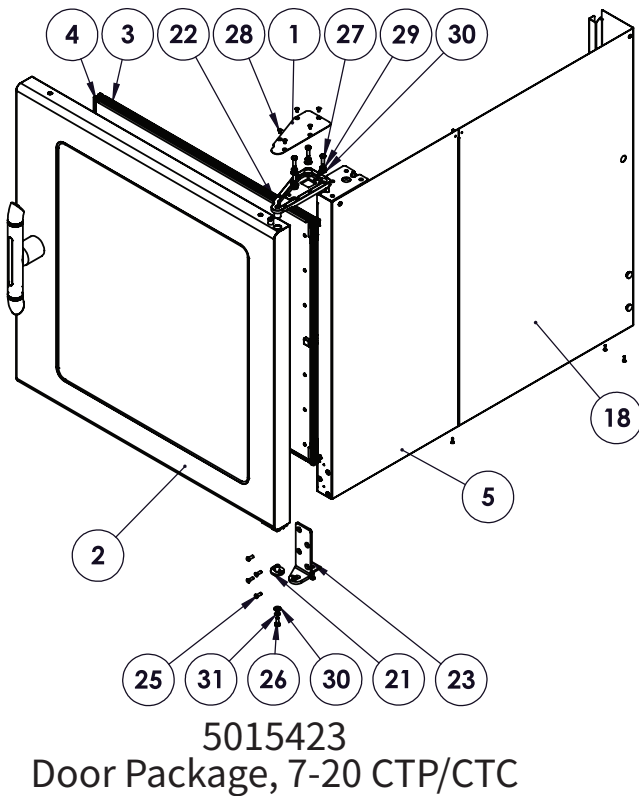
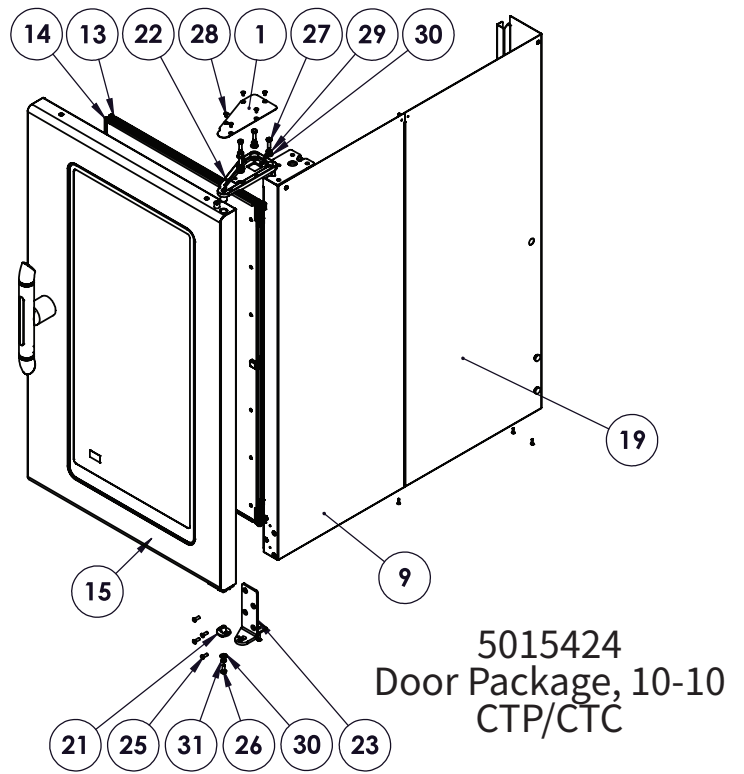
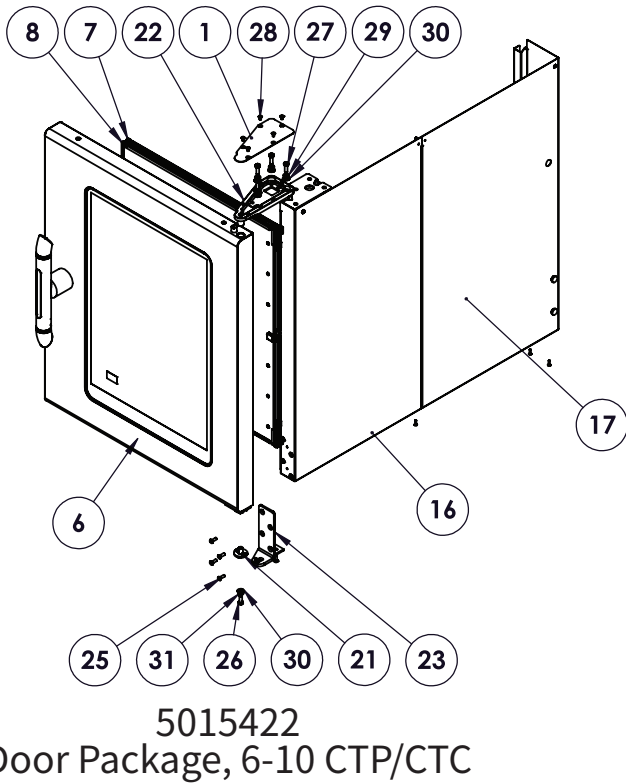
NOTE: Additional washer (WS-22295) needs To Be Assembled Between The sweep gasket holder and The Bracket, sweep weldment on handle side.



5015204
Door Assembly, 20-20
CTP/CTC

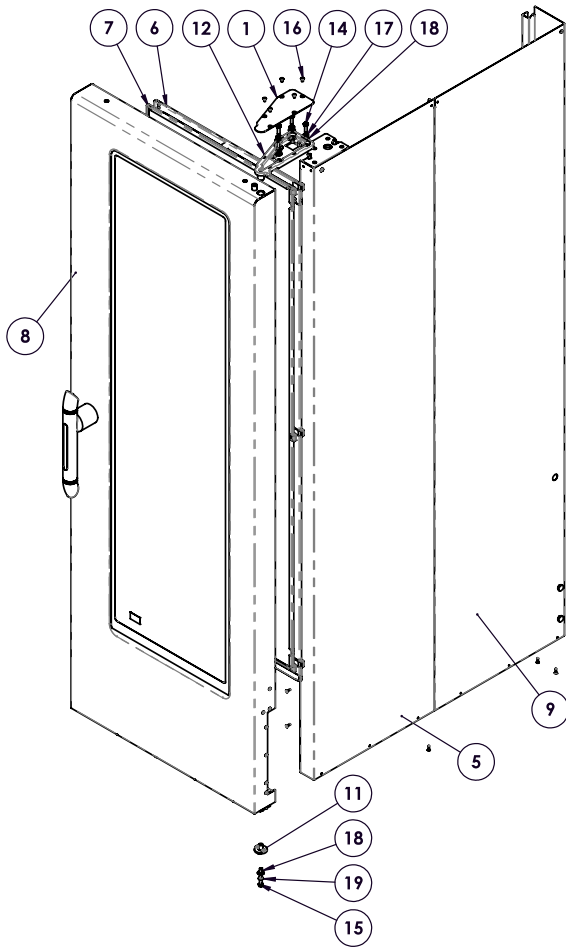
Item	Part	Description	5015204	5015419
			Qty.	Qty.
1	1014883	Sweep Gasket Holder, Gen-2	1	-
2	1014913	Sweep Gasket Holder, Gen-2	-	1
3	5015203	Door, Outer, 20-20, RH	1	-
4	5015258	20-20 & 20-10, Door Handle Housing Assembly	1	1
5	5015418	Door, Outer, 20-10, RH	-	1
6	5017398	Bracket, Sweep, Weldment, 20-21	-	1
7	5017399	Bracket, Sweep, Weldment, 20-20	1	-
8	CR-34967	Connector, 2 Conductor	2	2
9	GS-37060	Sweep Gasket, Gen 3, 20-20 CTP	1	-
10	GS-37061	Sweep Gasket, Gen 3, 20-10 CTP	-	1
11	HD-35325	Roll-in Combi Door Handle	1	1
12	LT-36064	Latch, Inner Glass Locking	2	2
13	NU-23909	Nut, Hex Insert M5	3	3
14	SC-23102	Screw, M3 x 0.5 x 10mm Flat	4	4
15	SC-27109	M5 x 16 Truss Head Screw	3	3
16	SC-35259	Screw, M5 x 0.8 x 50mm Flat	4	4
17	SC-36350	Screw, M5 x 0.8 x 10mm BTN FLG	15	15
18	SC-36662	Screw, M4 x 0.7 x 12mm Hex SCH	3	3
19	WS-22295	Washer, Flat M5 S/S	4	4
20	WS-22300	Washer, M4 Split Lock	3	3
21	WS-22301	Washer, M5 Split Lock	3	3

DOOR MODULAR PACKAGE – RIGHT HINGED

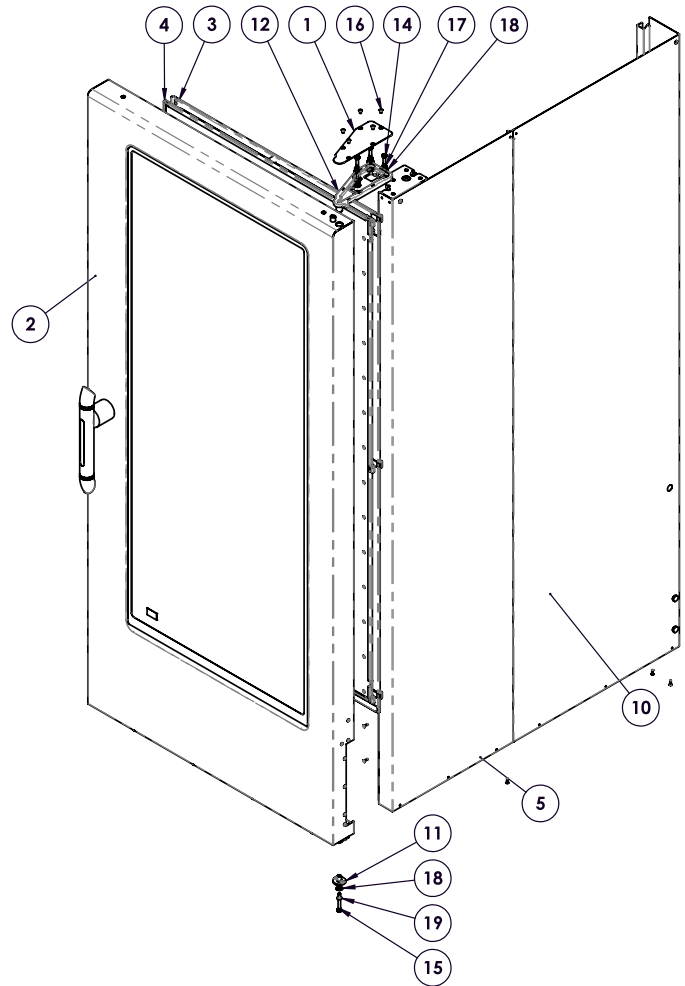


NOTE: Use Loctite on lower hinge screw (26) and tighten to a torque of 84 in-lbs.
NOTE: Tighten upper hinge screws (27) to a torque of 77 in-lbs.

DOOR MODULAR PACKAGE – RIGHT HINGED



5015426
Door Package, 20-10
CTP/CTC



5015427
Door Package, 20-20
CTP/CTC

NOTE: Use Loctite on lower hinge screw (13) and tighten to a torque of 84 in-lbs.
NOTE: Tighten upper hinge screws (12) to a torque of 77 in-lbs.
NOTE: Lower hinge assembly components (11, 15, 18, 19) should be replaced by service kit 5023299 (not shown)

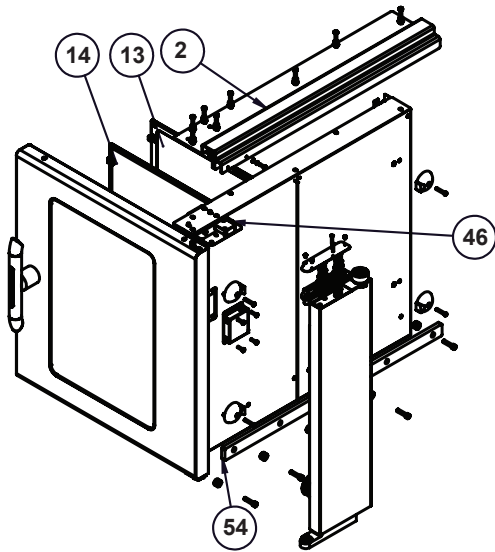
DOOR MODULAR PACKAGE – RIGHT HINGED

			5015422	5015423	5015424	5015425
6-10, 10-10, 7-20, 10-20						
Item	Part	Description	Qty.	Qty.	Qty.	Qty.
1	1014501	Top Hinge Cover	1	1	1	1
2	5014953	Door Assembly, 7-20 CTC/CTP	-	1	-	-
3	5014961	Inner Door Glass Assembly 7-20	-	1	-	-
4	5014962	Middle Door Glass Assembly 7-20	-	1	-	-
5	5015044	Panel, RH, Outer, Casing, Weldment	-	1	-	-
6	5015065	Door Assembly, 6-10 CTC/CTP	1	-	-	-
7	5015068	Inner Door Glass Assembly 6-10	1	-	-	-
8	5015074	Middle Door Glass Assembly 6-10	1	-	-	-
9	5015261	Panel, RH, Outer, Casing, Weldment	-	-	1	1
10	5015406	Inner Door Glass Assembly 10-20	-	-	-	1
11	5015407	Middle Door Glass Assembly 10-20	-	-	-	1
12	5015408	Door Assembly, 10-20 CTC/CTP	-	-	-	1
13	5015411	Inner Door Glass Assembly 10-10	-	-	1	-
14	5015414	Middle Door Glass Assembly 10-10	-	-	1	-
15	5015416	Door Assembly, 10-10 CTC/CTP	-	-	1	-
16	5015537	Panel, RH, Outer, Casing, Weldment	1	-	-	-
17	5016760	Weldment, RH Panel, 6-10	1	-	-	-
18	5016761	Weldment, RH Panel, 7-20	-	1	-	-
19	5016762	Weldment, RH Panel, 10-10	-	-	1	-
20	5016764	Weldment, RH Panel, 10-20	-	-	-	1
21	HG-25101	Hinge, Lower, Ratchet	1	1	1	1
22	HG-35963	Hinge, Top, Combi Door, with Pin	1	1	1	1
23	HG-35964	Lower Hinge Plate, 90°	1	1	1	1
24	RI-27108	Rivet, Sealed	10	10	10	10
25	SC-22281	Screw, M5 x 0.8 x 16mm Flat	6	6	6	6
26	SC-22284	Screw, M6 x 1.0 x 16mm Hex	1	1	1	1
27	SC-22924	Screw, M6 x 1.0 x 20mm Hex	4	4	4	4
28	SC-36226	Screw, M4 x 0.7 x 8mm Flat	5	5	5	5
29	WS-2294	Lock Washer 1/4"	4	4	4	4
30	WS-22094	Washer, 1/4", Flat, 5/8 OD 18-8 S/S	5	5	5	5
31	WS-22302	Washer, M6 Split Lock	1	1	1	1

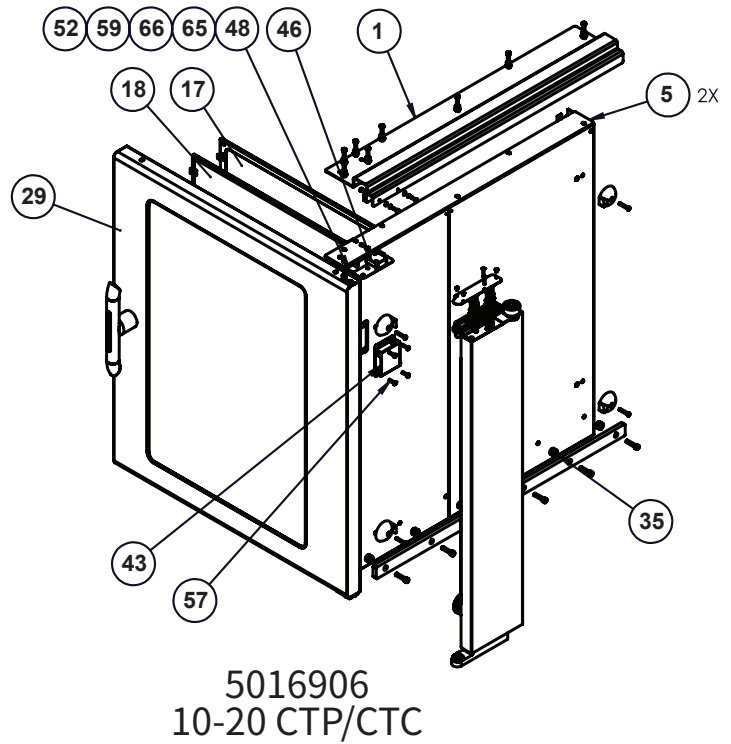
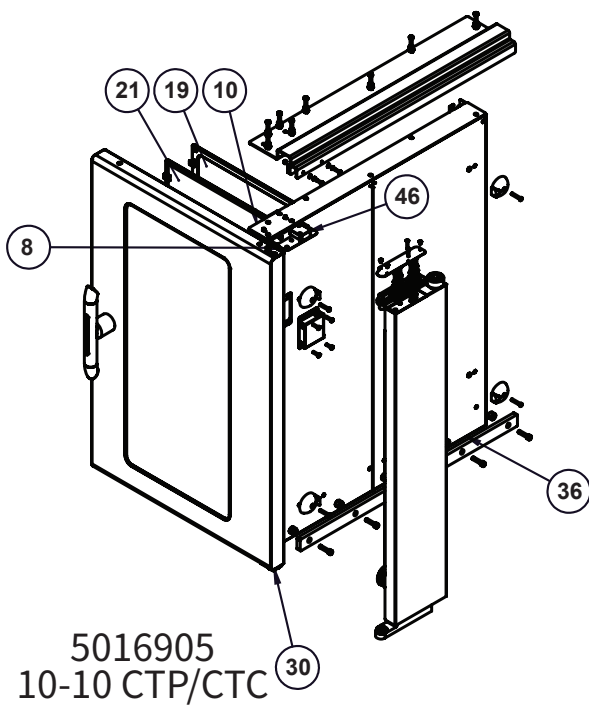
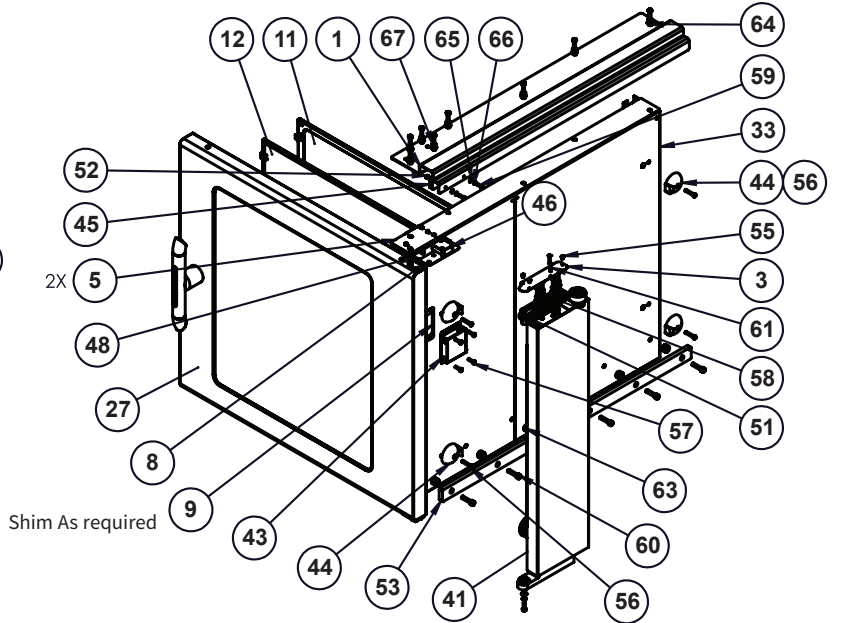
			5015426	5015427
20-10, 20-20				
Item	Part	Description	Qty.	Qty.
1	1013957	Top Hinge Cover	1	1
2	5015232	20-20 Combi, Inner Door Glass Assembly	-	1
3	5015235	Middle Door Glass Assembly 20-20	-	1
4	5015262	Panel, RH, Outer, Casing, Weldment	1	1
5	5015412	Inner Door Glass Assembly 20-10	1	-
6	5015415	Middle Door Glass Assembly 20-10	1	-
7	5016763	Weldment, RH Panel, 20-10	1	-
8	5016765	Weldment, RH Panel, 20-20	-	1
9	HG-25101	Hinge, Lower, Ratchet	1	1
10	HG-38374	Hinge, Top, Combi Door	1	1
11	RI-27108	Rivet, Sealed	19	19
12	SC-22924	Screw, M6 x 1.0 x 20mm Hex	4	4
13	SC-36080	Screw, M6 x 1.0 x 45mm Hex	1	1
14	SC-36226	Screw, M4 x 0.7 x 8mm Flat	5	5
15	WS-2294	Lock Washer 1/4"	4	4
16	WS-22094	Washer, 1/4", Flat, 5/8 OD 18-8 S/S	5	5
17	WS-22302	Washer, M6 Split Lock	1	1
18	67636	RH Door Assembly, Charted	1	-
19	67636	RH Door Assembly, Charted	-	1

DOOR MODULAR PACKAGE – RECESSED DOOR

5016903
6-10 CTP/CTC

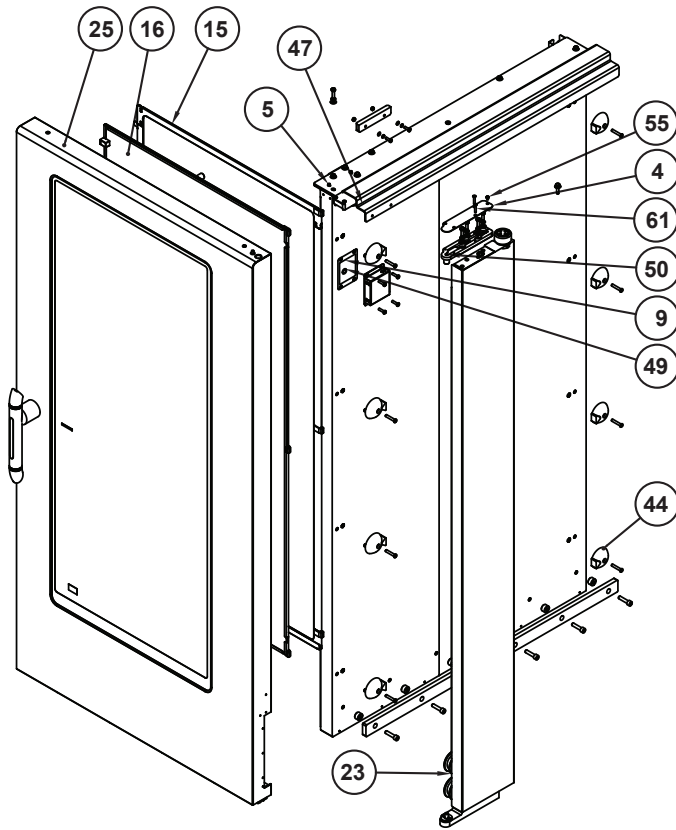


5016904
7-20 CTP/CTC

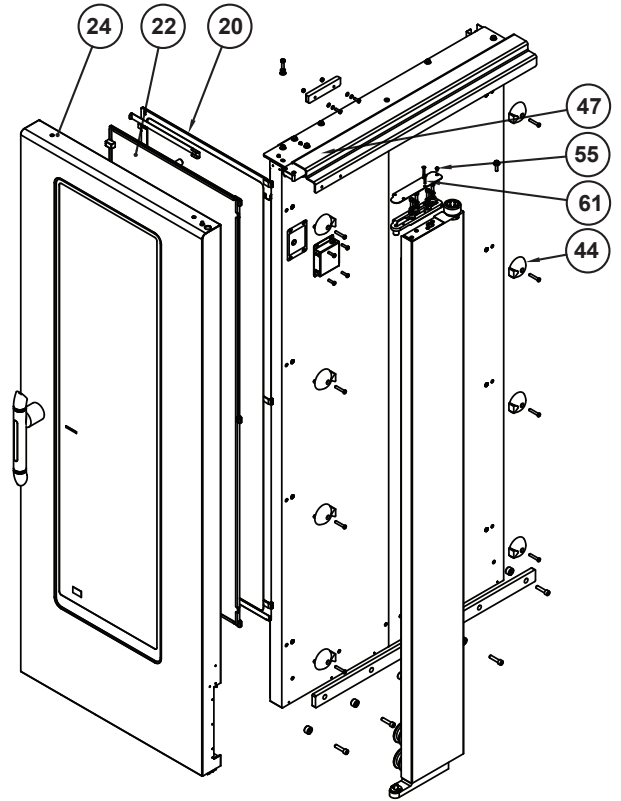


NOTE: All unit sizes, use Thread lock The on lower hinge screw At Assembly

DOOR MODULAR PACKAGE – RECESSED DOOR



5016891
20-20 CTP/CTC



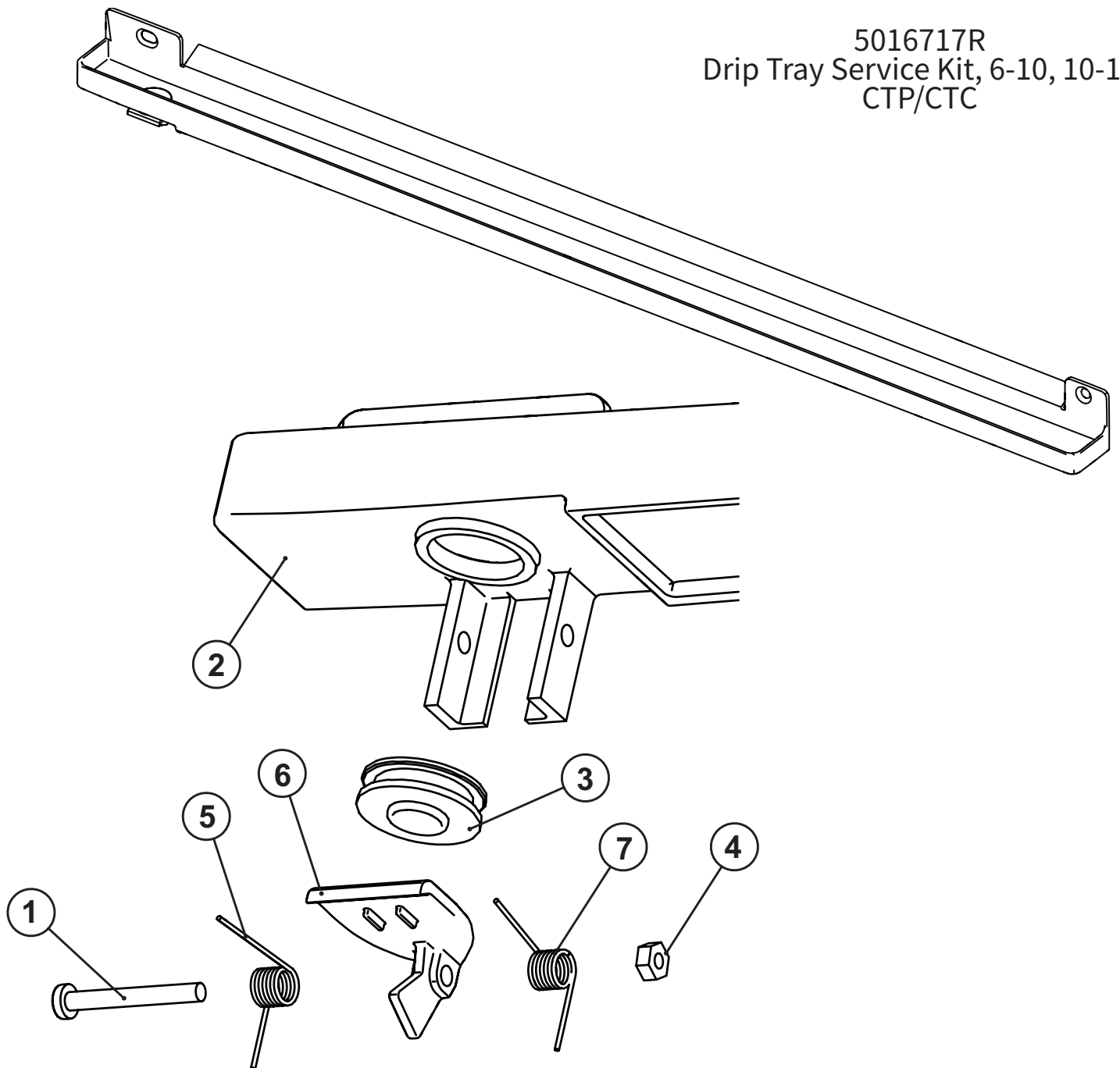
5016892
20-10 CTP/CTC

DOOR MODULAR PACKAGE – RECESSED DOOR PARTS LIST

Item	Part	Description	5016891	5016892	5016903	5016904	5016905	5016906
			Qty.	Qty.	Qty.	Qty.	Qty.	Qty.
1	1013987	Upper Guide Bracket, RCD	-	-	-	1	-	1
2	1015231	Upper Guide Bracket, RCD	-	-	1	-	1	-
3	1015232	Plate, Hinge Cover, RCD	-	-	1	1	1	1
4	1015233	Cover Plate, Floor Combi RCD Hinge	1	1	-	-	-	-
5	1016149	Spacer, Upper Guide Bracket, RCD	1	-	-	1	-	1
6	1016219	Upper Guide Bracket, RCD	1	-	-	-	-	-
7	1016220	Upper Guide Bracket, RCD	-	1	-	-	-	-
8	1016229	RCD Top Hinge Spacer	1	1	1	1	1	1
9	1016235	Spacer Plate, Pogo Target Box	5	5	5	5	5	5
10	1016243	Spacer, Upper Guide Bracket, Sm RCD	-	1	1	-	1	-
11	5014961	Inner Door Glass Assembly 7-20	-	-	-	1	-	-
12	5014962	Middle Door Glass Assembly 7-20	-	-	-	1	-	-
13	5015068	Inner Door Glass Assembly 6-10	-	-	1	-	-	-
14	5015074	Middle Door Glass Assembly 6-10	-	-	1	-	-	-
15	5015232	20-20 Combi, Inner Door Glass Assembly	1	-	-	-	-	-
16	5015235	Middle Door Glass Assembly 20-20	1	-	-	-	-	-
17	5015406	Inner Door Glass Assembly 10-20	-	-	-	-	-	1
18	5015407	Middle Door Glass Assembly 10-20	-	-	-	-	-	1
19	5015411	Inner Door Glass Assembly 10-10	-	-	-	-	1	-
20	5015412	Inner Door Glass Assembly 20-10	-	1	-	-	-	-
21	5015414	Middle Door Glass Assembly 10-10	-	-	-	-	1	-
22	5015415	Middle Door Glass Assembly 20-10	-	1	-	-	-	-
23	5015835	RCD Trolley, 20-20	1	1	-	-	-	-
24	5015854	Door Assembly, 20-10 RCD Combi	-	1	-	-	-	-
25	5015855	Door Assembly, 20-20 RCD Combi	1	-	-	-	-	-
26	5015868	Panel, RH, Outer, Casing, Weldment	1	1	-	-	-	-
27	5016881	Recessed Door Assembly, 6-10	-	-	-	1	-	-
28	5016882	Recessed Door Assembly, 6-10	-	-	1	-	-	-
29	5016883	Recessed Door Assembly, 10-20	-	-	-	-	-	1
30	5016884	Recessed Door Assembly, 10-10	-	-	-	-	1	-
31	5016894	Panel, Rear, RH, Spot	1	-	-	-	-	-
32	5016895	Panel, Rear, RH, Spot	-	1	-	-	-	-
33	5016896	Panel, Rear, RH, Spot	-	-	-	1	-	-
34	5016897	Panel, Rear, RH, Spot	-	-	1	-	-	-
35	5016898	Panel, Rear, RH, Spot	-	-	-	-	-	1
36	5016899	Panel, Rear, RH, Spot	-	-	-	-	1	-
37	5016900	Panel, RH, Outer, Casing, Weldment	-	-	-	1	-	-
38	5016901	Panel, RH, Outer, Casing, Weldment	-	-	-	-	1	1
39	5016902	Panel, RH, Outer, Casing, Weldment	-	-	1	-	-	-
40	5016918	RCD Trolley, 10-10	-	-	-	-	1	1
41	5016919	RCD Trolley, 7-20	-	-	-	1	-	-
42	5016920	RCD Trolley, 6-10	-	-	1	-	-	-
43	5016952	RCD Electric Wiring Target Box Assembly	1	1	1	1	1	1
44	BK-27412	Block, Recessed Door	8	8	4	4	4	4
45	BK-28571	Cart Guide Block	1	1	1	1	1	1
46	BK-36607	Block, Spacer, RCD	-	-	1	1	1	1
47	BK-36675	Block, Spacer, RCD	1	1	-	-	-	-
48	BK-36850	White Teflon, Guide Block	1	1	1	1	1	1
49	BU-3006	1/2" Hole Bushing	1	1	1	1	1	1
50	HG-36360	Hinge, Top, Combi RCD, with Pin	1	1	-	-	-	-
51	HG-36361	Hinge, Top, Combi RCD, with Pin	-	-	1	1	1	1
52	NU-22289	Nut, M5-0.8 Hex Nut 18-8 DIN # 934	4	4	4	4	4	4
53	RA-35700	Rail, Bottom, RCD, 7-20	1	-	-	1	-	1
54	RA-36359	Rail, Bottom, RCD, 6-10	-	1	1	-	1	-
55	SC-22271	Screw, M4 x 0.7 x 6mm Pan	1	1	3	3	3	3
56	SC-22283	Screw, M6 x 35mm Lg, DIN #966A	8	8	4	4	4	4
57	SC-22779	Screw, M5 x 0.8 x 20mm Pan	4	4	4	4	4	4
58	SC-22924	Screw, M6 x 1.0 x 20mm Hex	4	4	4	4	4	4
59	SC-22926	HHCS, M5 x 16, No Markings	4	4	4	4	4	4
60	SC-24388	Screw, SHC M8 x 35 S/S	6	6	6	6	6	6
61	SC-28263	Screw, M4 x 0.7 x 25mm, Flat	4	4	2	2	2	4
62	SC-38583	Screw, M6 x 1.0 x 25mm, Hex	8	8	8	8	8	8
63	SP-28440	Rail Spacer	6	6	6	6	6	6
64	WS-22094	Washer, 1/4", Flat, 5/8 OD 18-8 S/S	12	12	12	12	12	12
65	WS-22295	Washer, Flat M5 S/S	4	4	4	4	4	4
66	WS-22301	Washer, M5 Split Lock OD 18-8 S/S	4	4	4	4	4	4
67	WS-2294	Lock Washer 1/4"	12	12	12	12	12	12

DRIP TRAY SERVICE KIT

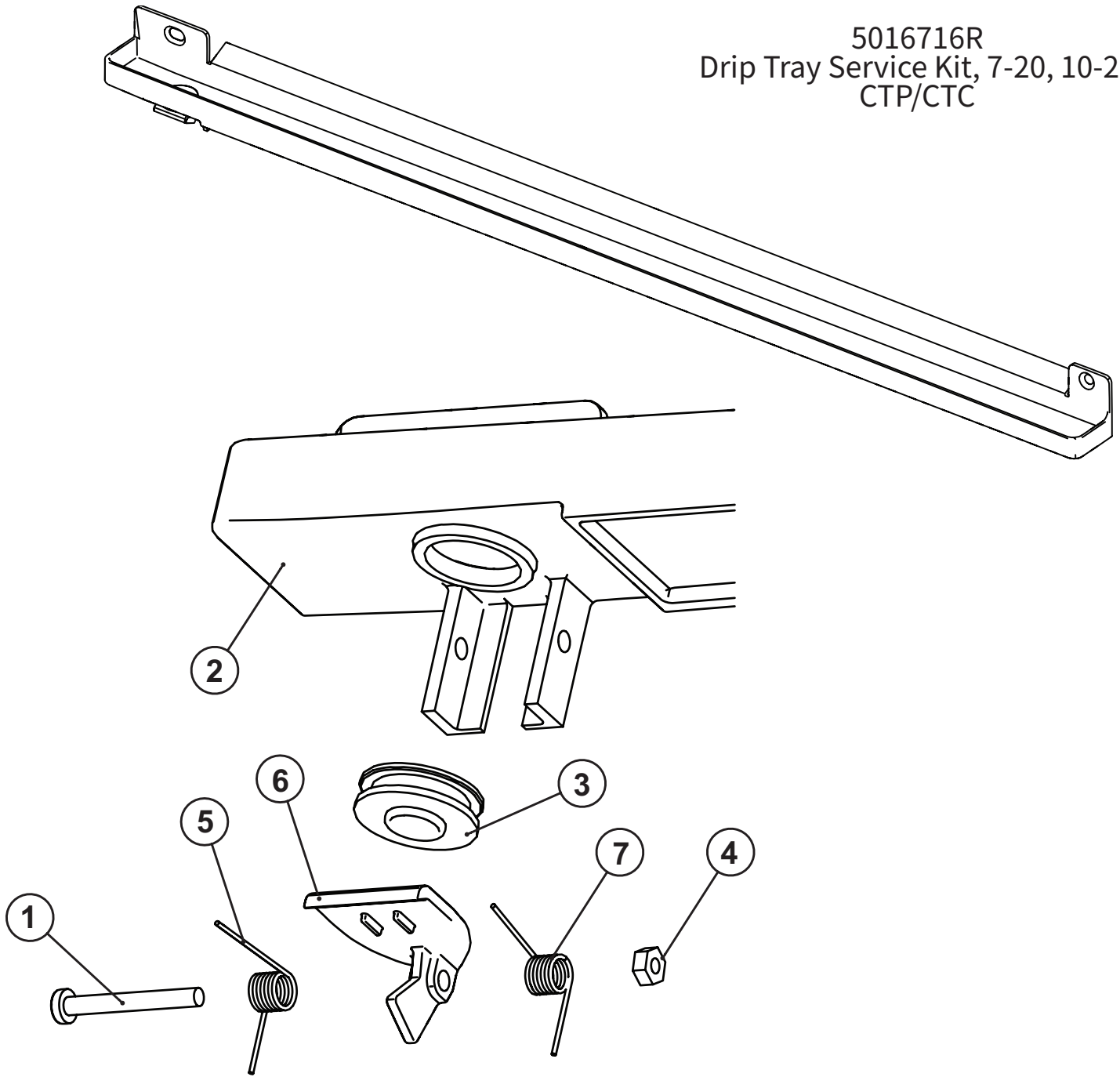
5016717R
Drip Tray Service Kit, 6-10, 10-10
CTP/CTC



Item	Part	Description	Qty.
1	1016071	Seal, O-Ring, Drip Tray	1
2	DT-35726	Drip Tray, Plastic, Combi Door	-
3	DT-36197	Drip Tray, Plunger Tab	-
4	NU-22285	Nut, M3-0.5 Hex Nut	1
5	SC-36661	Screw, M3 x 0.5 x 25mm Pan	-
6	SP-36071	Spring, Torsion, 180°	-
7	SP-36072	Spring, Torsion, 180°	-

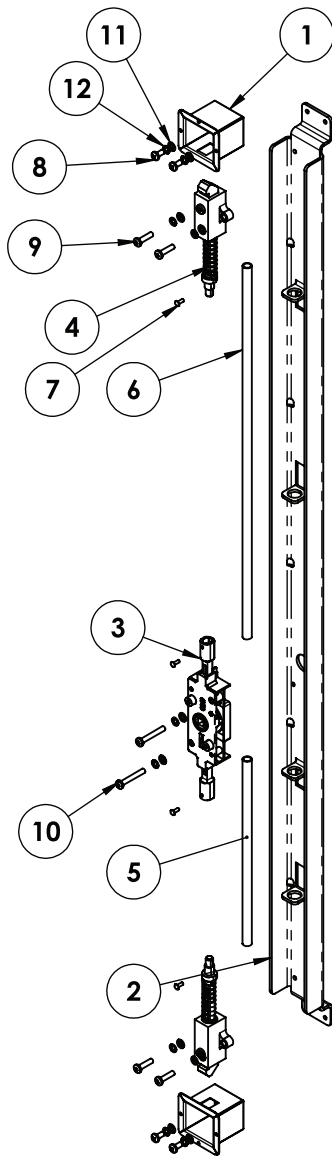
DRIP TRAY SERVICE KIT

5016716R
Drip Tray Service Kit, 7-20, 10-20
CTP/CTC

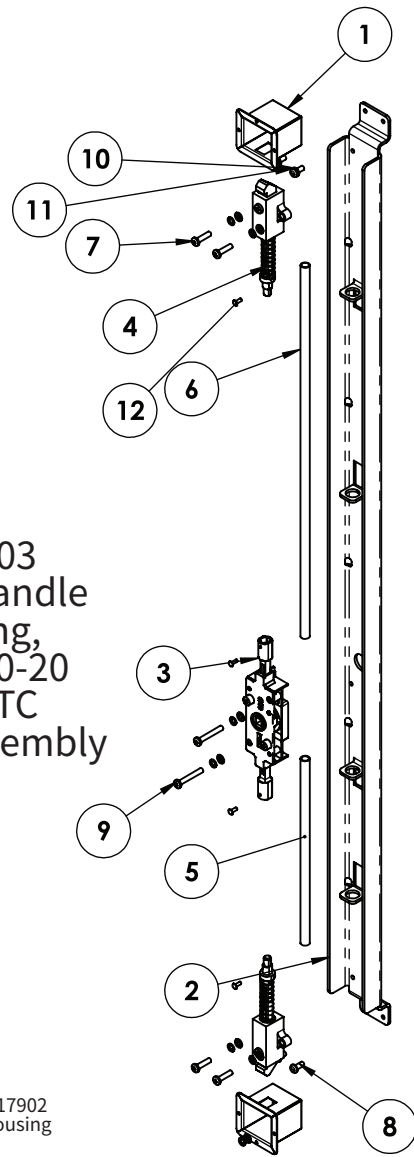


Item	Part	Description	Qty.
1	1016071	Seal, O-Ring, Drip Tray	1
2	DT-35701	Drip Tray, Plastic, Combi Door	-
3	DT-36197	Drip Tray, Plunger Tab	-
4	NU-22285	Nut, M3-0.5 Hex Nut	1
5	SC-36661	Screw, M3 x 0.5 x 25mm Pan	-
6	SP-36071	Spring, Torsion, 180°	-
7	SP-36072	Spring, Torsion, 180°	-

DOOR HANDLE HOUSING – 20-10, 20-20 PRIOR TO 05/17



5015301
Combi Handle
Housing,
20-10, 20-20
CTP/CTC



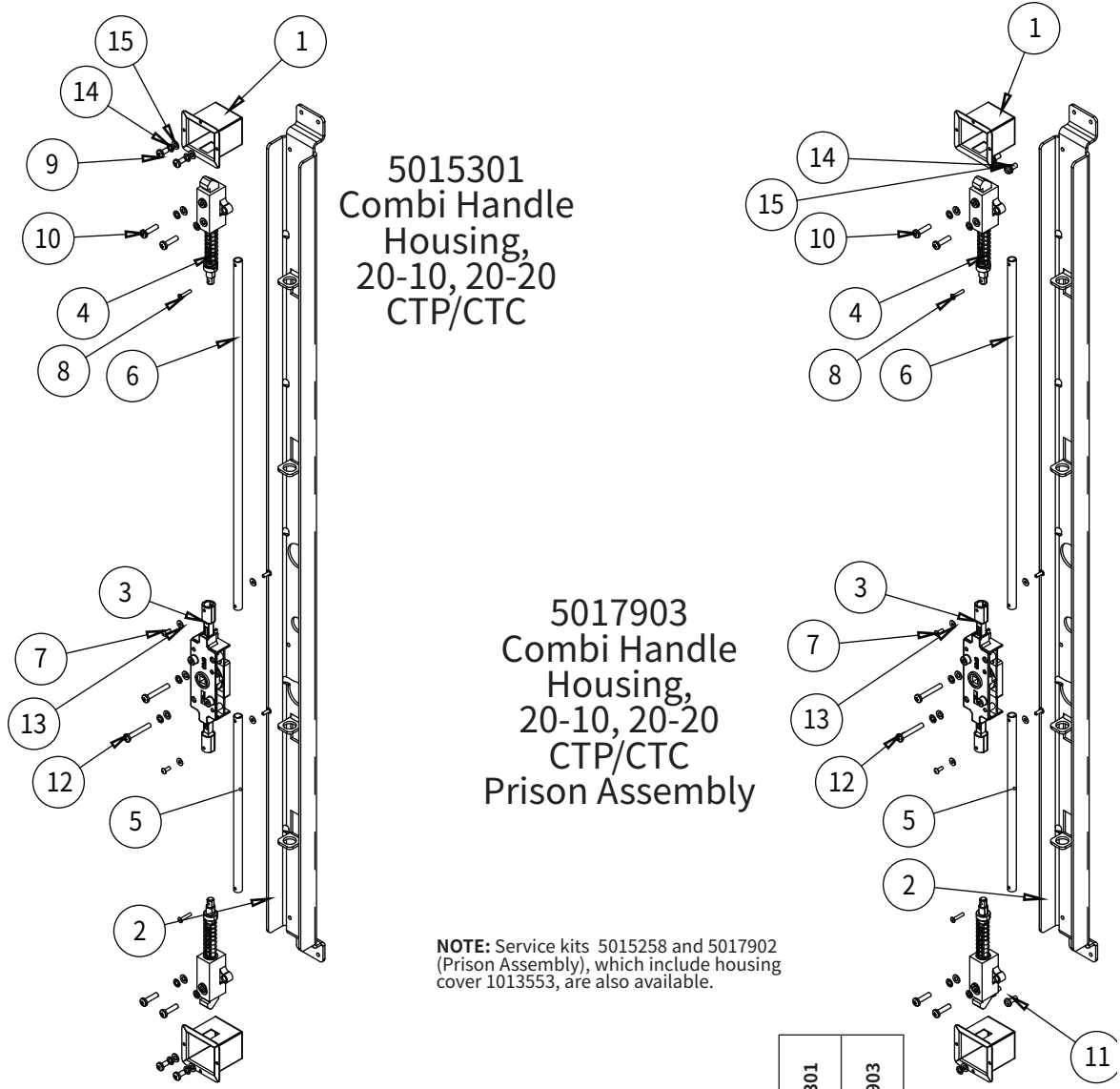
5017903
Combi Handle
Housing,
20-10, 20-20
CTP/CTC
Prison Assembly

NOTE: Service kits 5015258 and 5017902 (Prison Assembly), which include housing cover 1013553, are also available.

Item	Part	Description	Qty.
1	1013977	End Cap, 20-20, 20-10 Handle Latch	2
2	1014653	Stiffener, Roll-in Door Locking	1
3	BP-35327	Bolt Closure, LH Drive Unit	1
4	BP-35328	Bolt Closure, Locking Bar	2
5	RCD-35945	Rod, Floor Unit, 243mm	1
6	RCD-35946	Rod, Floor Unit, 485mm	1
7	RI-27108	Rivet, Sealed	4
8	SC-22766	Screw, M5 x 0.8 x 10mm Pan	4
9	SC-22779	Screw, M5 x 0.8 x 20mm Pan	4
10	SC-29735	Screw, M5 x 0.8 x 35mm Pan	2
11	WS-22295	Washer, Flat M5 S/S	10
12	WS-22301	Washer, M5 Split Lock	10

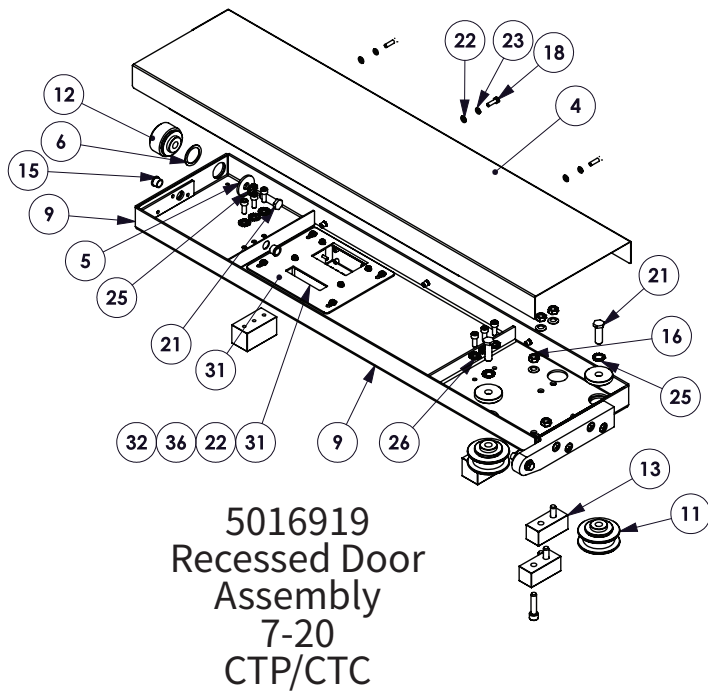
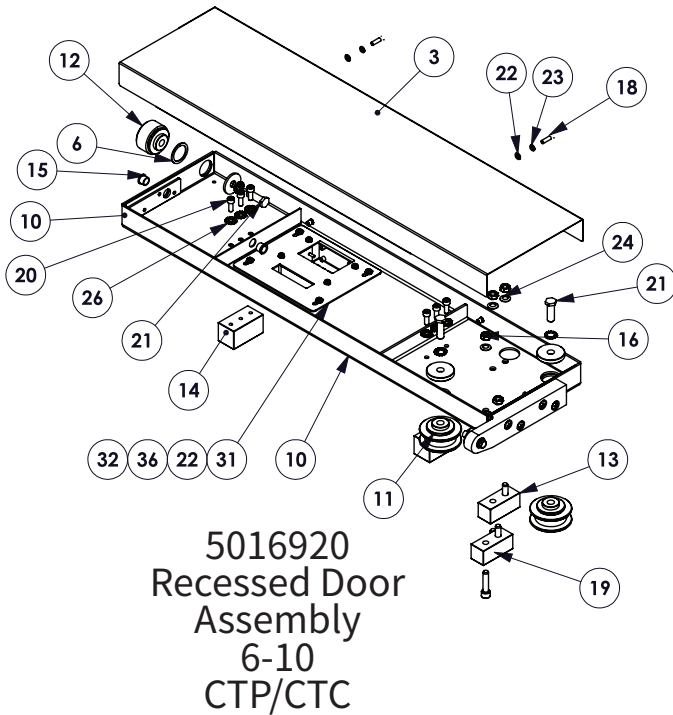
Item	Part	Description	Qty.
1	1013977	End Cap, 20-20, 20-10 Handle Latch	2
2	1014653	Stiffener, Roll-in Door Locking	1
3	BP-35327	Bolt Closure, LH Drive Unit	1
4	BP-35328	Bolt Closure, Locking Bar	2
5	RCD-35945	Rod, Floor Unit, 243mm	1
6	RCD-35946	Rod, Floor Unit, 485mm	1
7	SC-22779	Screw, M5 x 0.8 x 20mm Pan	4
8	SC-28463	Screw, M5 x 0.8 x 12mm Pan	4
9	SC-29735	Screw, M5 x 0.8 x 35mm Pan	2
10	WS-22295	Washer, Flat M5 S/S	10
11	WS-22301	Washer, M5 Split Lock	10
12	RI-27108	Rivet, Sealed	4

DOOR HANDLE HOUSING – 20-10, 20-20 AFTER 05/17



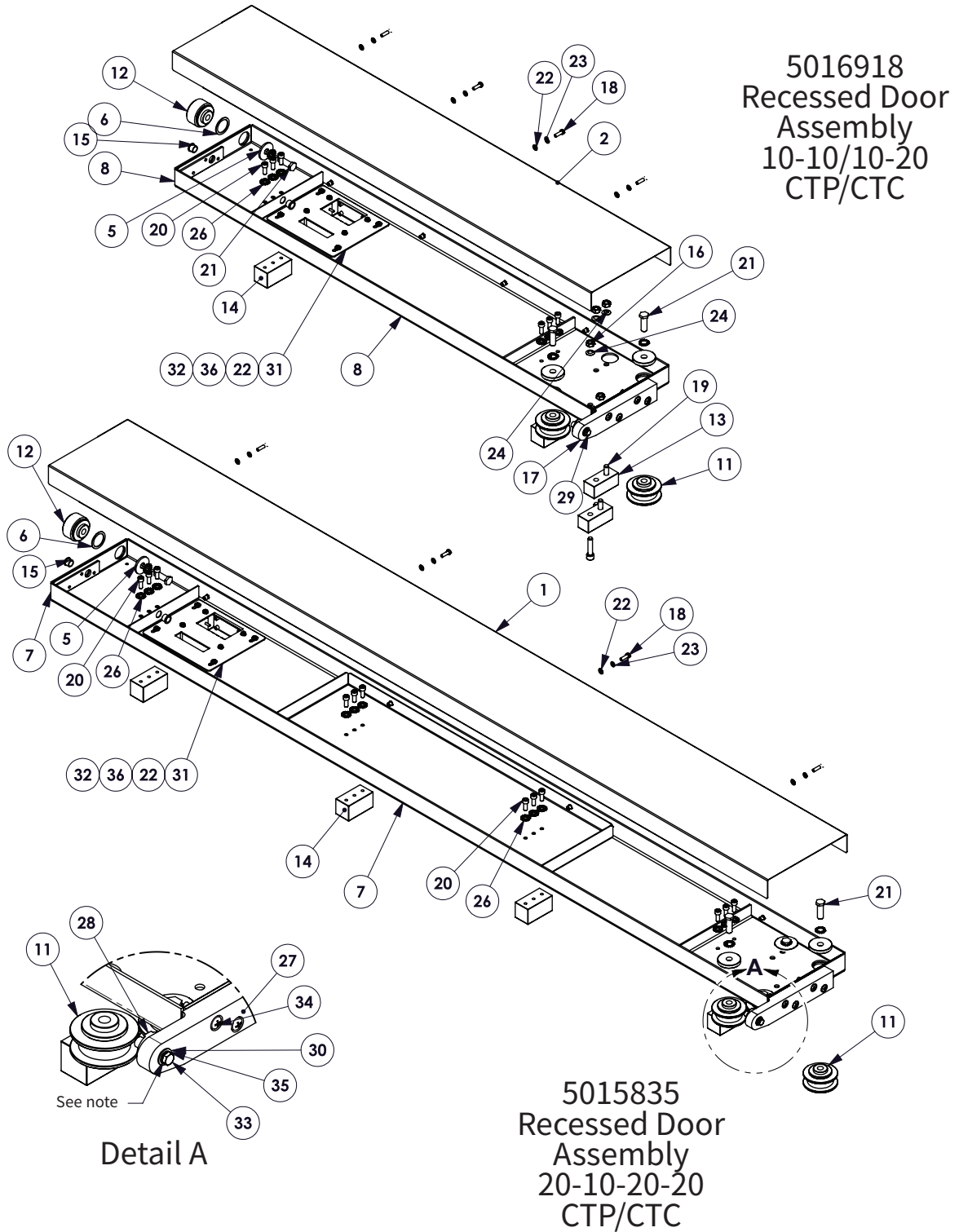
Item	Part	Description	5015301 Qty.	5017903 Qty.
1	1013977	End Cap, 20-20, 20-10 Handle Latch	2	2
2	1014653	Stiffener, Roll-in Door Locking	1	1
3	BP-35327	Bolt Closure, LH Drive Unit	1	1
4	BP-35328	Bolt Closure, Locking Bar	2	2
5	RD-35945	Rod, Floor Unit, 243mm	1	1
6	RD-35946	Rod, Floor Unit, 485mm	1	1
7	RI-38125	Rivet, Sealed, 0.125"	4	4
8	RI-39139	Rivet, Blind, 0.125"	2	2
9	SC-22766	Screw, M5 x 0.8 x 10mm Pan	4	-
10	SC-22779	Screw, M5 x 0.8 x 20mm Pan	4	4
11	SC-28463	Screw, M5 x 0.8 x 12mm Pan	-	4
12	SC-29735	Screw, M5 x 0.8 x 35mm Pan	2	2
13	WS-22293	Washer, Flat	4	4
14	WS-22295	Washer, Flat M5 S/S	10	10
15	WS-22301	Washer, M5 Split Lock	10	10

RECESSED DOOR TROLLEY ASSEMBLY

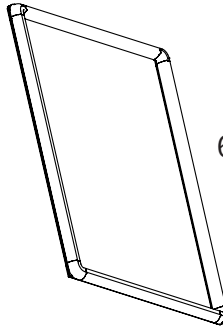


Item	Part	Description	5015835	5016918	5016919	5016920
			Qty.	Qty.	Qty.	Qty.
1	1013991	Cover, Door Trolley, RCD 20-20	1	-	-	-
2	1015223	Cover, Door Trolley, RCD	-	1	-	-
3	1015224	Cover, Door Trolley, RCD	-	-	-	1
4	1015225	Cover, Door Trolley, RCD	-	-	1	-
5	1015268	RCD Roller Bearing	1	1	1	1
6	1015319	Spacer, RCD, Trolley Cover	1	1	1	1
7	5015836	Door Trolley Spot RCD 20-20, 20-20	1	-	-	-
8	5016915	Door Trolley Spot RCD 10-10, 10-20	-	1	-	-
9	5016916	Door Trolley Spot RCD 7-20	-	-	1	-
10	5016917	Door Trolley Spot RCD 6-10	-	-	-	1
11	BG-28037	Guide, Eccentric Recessed Door	4	2	2	2
12	BG-35899	Bearing, Trolley Guide Bearing	1	1	1	1
13	BK-28043	Block, Guide Rail	-	2	2	2
14	BK-28084	Block, Stop, Recessed Door	4	2	2	2
15	BU-3006	1/2" Hole Bushing	2	2	2	2
16	NU-22292	M8-1.25, Hex Nut 18-8, DIN #934	-	4	4	4
17	HG-36363	Hinge, Lower, Table Top	-	1	1	1
18	SC-22926	HHCS, M5 x 16, No Markings	4	4	3	2
19	SC-24388	Screw, SHC M8 x 35 S/S	-	4	4	4
20	SC-24390	Screw, SHC M6 x 16 S/S	12	6	6	6
21	SC-28082	Screw, M10 x 30 Hex S/S HS	5	3	3	3
22	WS-22295	Washer, Flat M5 S/S	8	8	7	6
23	WS-22301	Washer, M5 Split Lock, S/S	4	4	3	2
24	WS-24396	Washer M8 S/S Serrated Bevel	-	4	4	4
25	WS-28083	M10 Serrated Lock Washer	5	3	3	3
26	WS-28085	M6 Serrated Lock Washer	12	6	6	6
27	HG-36362	Hinge, Lower, Floor Units	1	-	-	-
28	HG-25101	Hinge, Lower, Ratchet	1	1	1	1
29	SC-22924	Screw, M6 x 1.0 x 20mm Hex	-	1	1	1
30	WS-22094	Washer, 1/4", Flat, 5/8 OD 18-8 S/S	1	1	1	1
31	5017503	Pogo Pin Assembly, RCDs	1	1	1	1
32	SC-22273	Screw, M4 x 0.7 x 10mm Pan	4	4	4	4
33	SC-22922	Screw, M6 x 1.0 x 35mm Hex	1	-	-	-
34	SC-28254	Screw, m6 x 1.0 x 35mm Pan	4	4	4	4
35	WS-22302	Washer, M6 Split Lock	5	5	5	5
36	WS-22301	Washer, M5 Split Lock	4	4	4	4

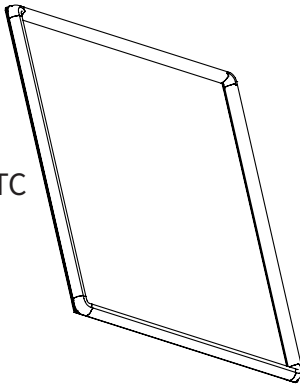
RECESSED DOOR TROLLEY ASSEMBLY



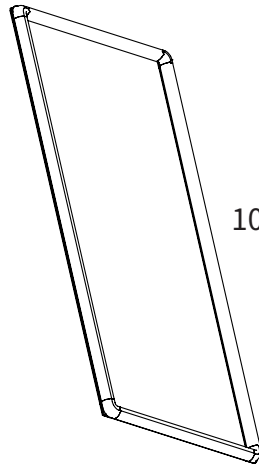
DOOR GASKETS



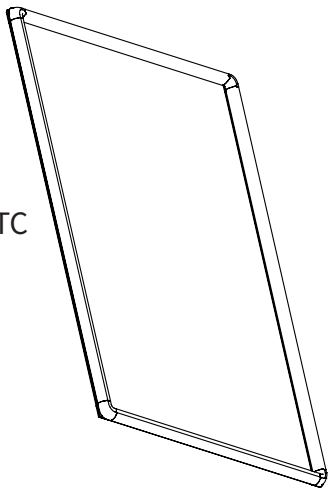
GS-38710
6-10 CTP/CTC



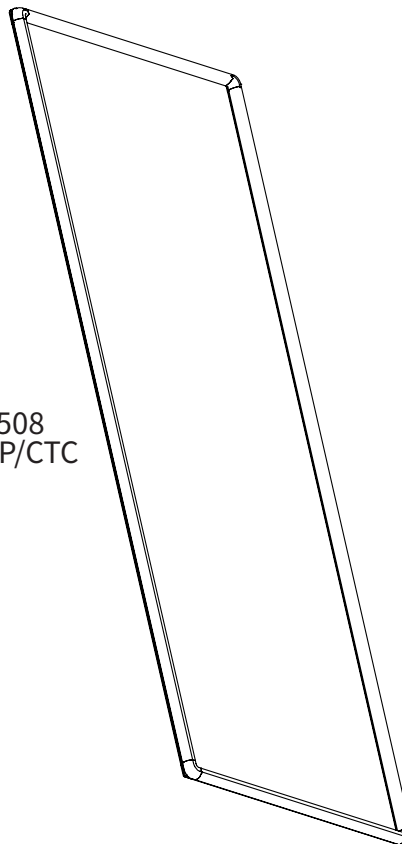
GS-38711
7-20 CTP/CTC



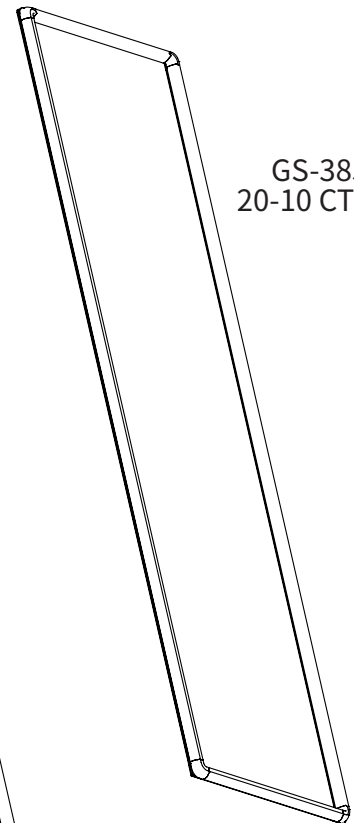
GS-38712
10-10 CTP/CTC



GS-38713
10-20 CTP/CTC

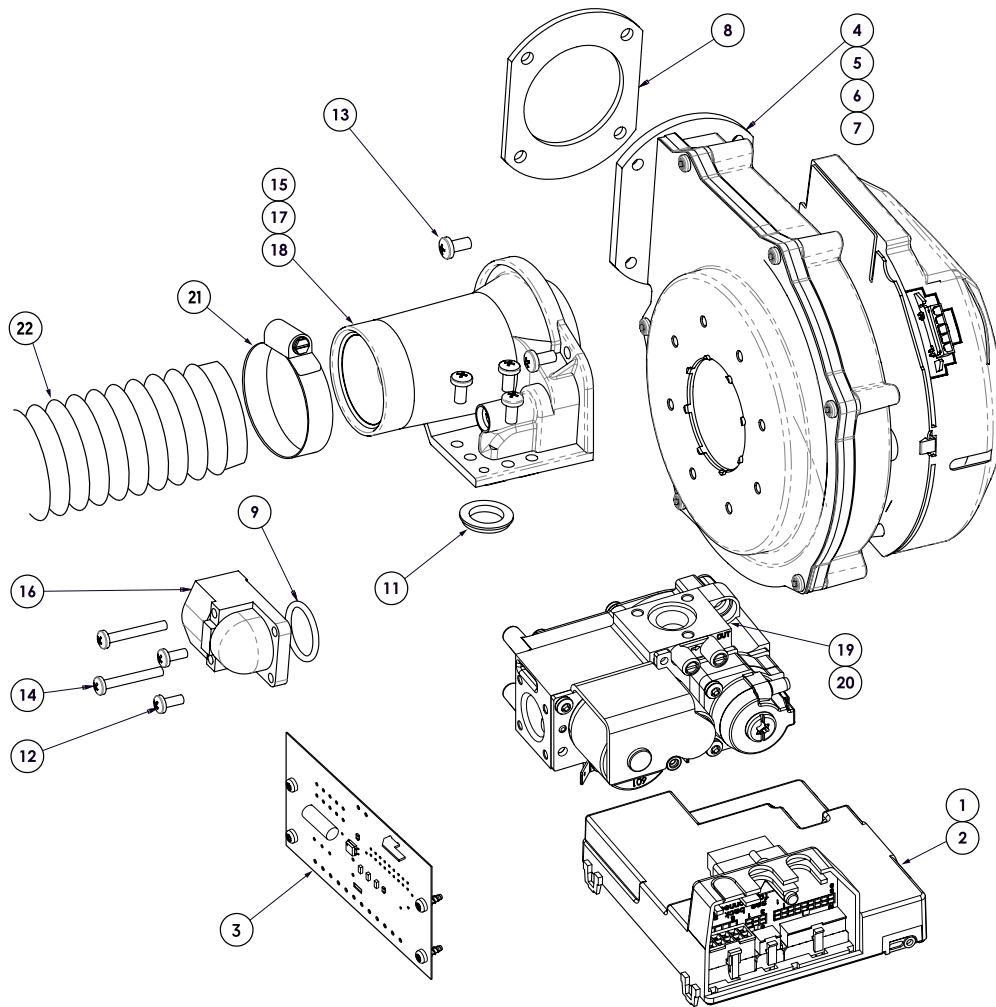


GS-38508
20-20 CTP/CTC



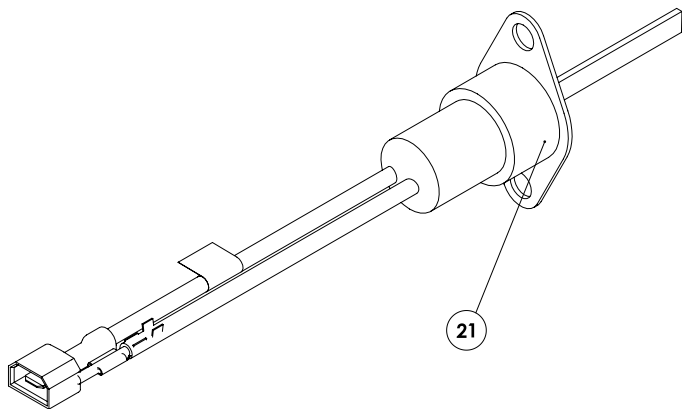
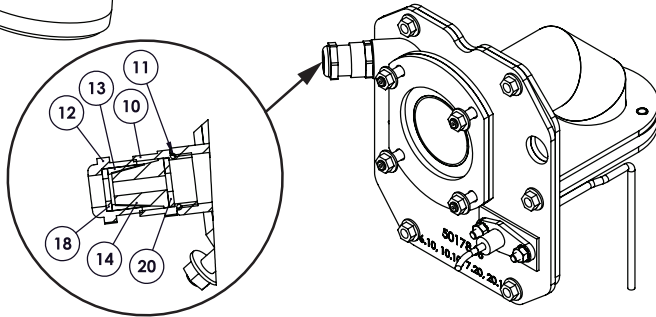
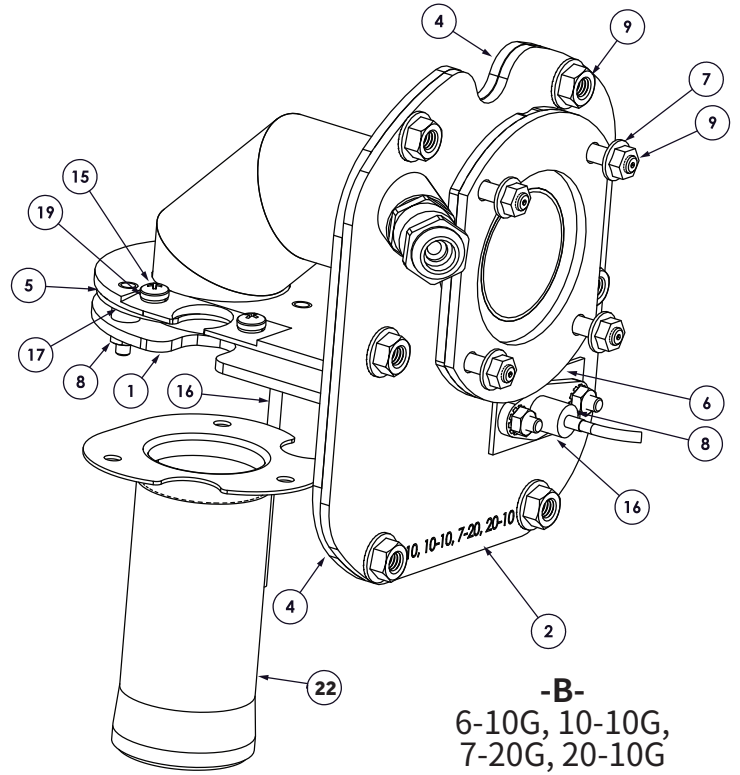
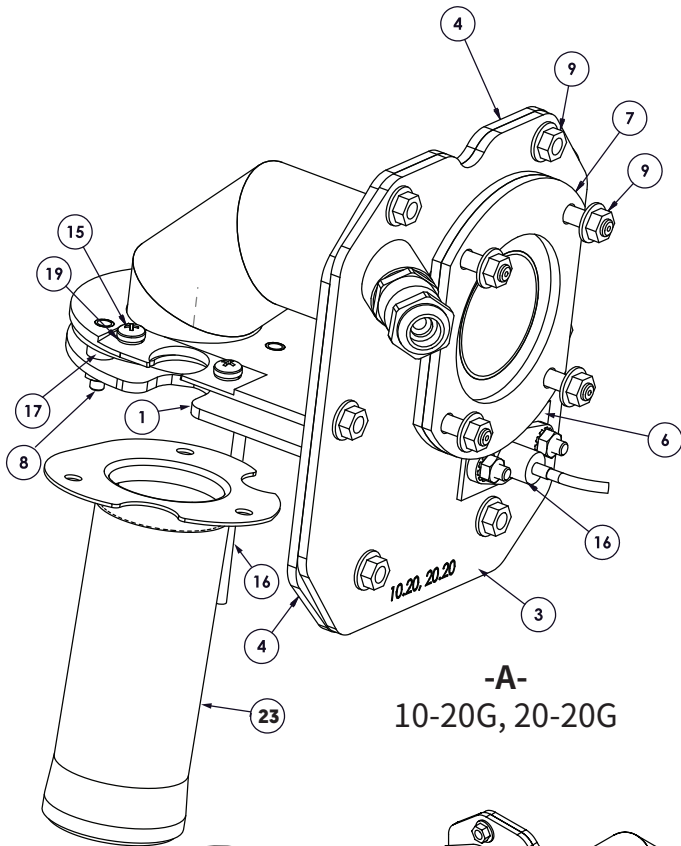
GS-38509
20-10 CTP/CTC

BURNER CONTROL AND BLOWER COMPONENTS PARTS LIST



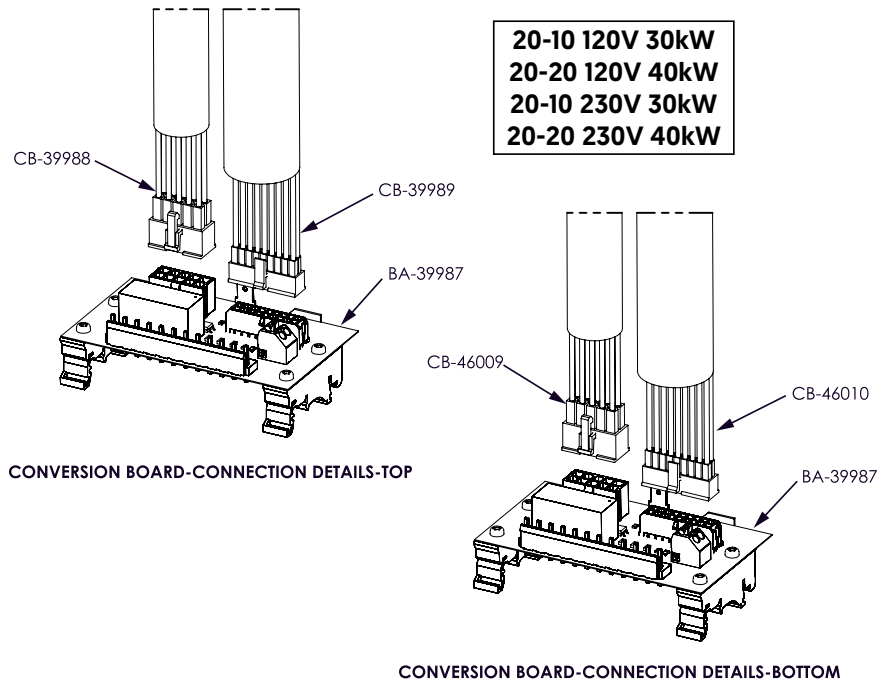
ITEM	PART NO.	DESCRIPTION	6-10G 120V	7-20G 120V	20-20G T 120V	6-10G 230V	7-20G 230V	20-20G T 230V	10-10G 120V	10-10G 230V	20-10G T 230V	20-10G T 120V	20-20G B 120V	10-20G B 230V	20-10G B 230V	20-10G B 120V
1	BA-39849	BOARD, IGNITION CONTROL, 120 V	1	1	1	-	-	-	1	-	-	1	1	-	-	1
2	BA-39850	BOARD, IGNITION CONTROL, 230 V	-	-	-	1	1	1	-	1	1	-	-	1	1	-
3	BA-39987	CONVERSION BOARD	1	1	1	1	1	1	1	1	1	1	1	1	1	1
4	FA-34232	FAN, 120V	1	1	-	-	-	-	1	-	-	1	-	-	-	1
5	FA-34462	FAN, 230V	-	-	-	1	1	-	-	1	1	-	-	-	1	-
6	FA-35886	FAN, RADIAL BLOWER ELEK INTL-	-	-	1	-	-	-	-	-	-	-	1	-	-	-
7	FA-35887	FAN, RADIAL BLOWER ELEK INTL-	-	-	-	-	-	1	-	-	-	-	-	1	-	-
8	GS-37343	GASKET, RESTRICTOR PLATE	1	1	-	1	1	-	1	1	1	1	-	-	1	1
9	OR-27249	SEAL, O-RING 1.068 OD X 0.103 DIA	1	1	1	1	1	1	1	1	1	1	1	1	1	1
10	SA-27006	SEAL-FAN BURNER	-	-	1	-	-	1	-	-	-	-	1	1	-	-
11	SA-27930	SEAL, GAS VALVE	1	1	1	1	1	1	1	1	1	1	1	1	1	1
12	SC-22273	SCREW,M4x0.7X10MM PAN	2	2	2	2	2	2	2	2	2	2	2	2	2	2
13	SC-22766	SCREW,M5x0.8X10MM PAN	5	5	5	5	5	5	5	5	5	5	5	5	5	5
14	SC-29276	SCREW,M4x0.7X30MM PAN	2	2	2	2	2	2	2	2	2	2	2	2	2	2
15	VA-27068	VALVE, VENTURI CODE 002	-	-	1	-	-	1	-	-	-	-	1	1	-	-
16	VA-27081	ELBOW, FLANGE, VENTURI,	1	1	1	1	1	1	1	1	1	1	1	1	1	1
17	VA-35255	VALVE, VENTURI CODE 053	-	1	-	-	1	-	1	1	1	1	-	-	1	1
18	VA-35257	VALVE, VENTURI CODE 055	1	-	-	1	-	-	-	-	-	-	-	-	-	-
19	VA-39851	VALVE, GAS 155 V	1	1	1	-	-	-	1	-	-	1	1	-	-	1
20	VA-39852	VALVE, GAS 230 V	-	-	-	1	1	1	-	-	1	-	-	1	1	-
21	CL-22234	CLAMP, WORM GEAR, 40-60 HOSE	1	1	1	1	1	1	1	1	1	1	1	1	1	1
22	HO-36604	HOSE, 2" I.D., BLK POLYPROPYLENE	1	1	1	1	1	1	1	1	1	1	1	1	1	1

GAS BURNER MOUNTING FLANGE



Item	Part	Description	A Qty.	B Qty.
1	1015129	*Flange, Burner Mount Outlet	1	1
2	5017866	Fitting Assembly, Burner Mount	-	1
3	5017867	Fitting Assembly, Burner Mount	1	-
4	GS-29591	*Gasket, Burner Fitting	1	1
5	GS-29626	Gasket, 36mm Dia. Burner	1	1
6	GS-29627	Gasket, Ignition Component	1	1
7	GS-37343	Gasket, Restrictor Plate	1	1
8	NU-36319	Nut, M4, Keps, Zinc Plated	5	5
9	NU-38212	Nut, M5-0.8 Hex FLG-SERR CL8 S/S	10	10
10	PG-3826	*Plugs CT, Adapter, Tube to Plug	1	1
11	SA-22199	*Seal CT, O-Ring, Viton, 13 x 1.5	1	1
12	SA-22320	*Seal CT, Top, PG9	1	1
13	SA-22321	*Seal CT, Cone, PG9, Brass	1	1
14	SA-22322	*Seal CT, Insert, 4mm Dia	1	1
15	SC-37263	Screw, M4 x 0.7 x 4mm Pan	2	2
16	SN-35036	Flame Sensor, 24" Lg Lead Wire	1	1
17	SP-36320	Spacer, M4, 4mm Thick Burner	3	3
18	WS-22297	*Washer, Flat	1	1
19	WS-22300	Washer, M4 Split Lock	2	2
20	WS-22323	Washer Flat	1	1
21	5017541	Igniter Service Kit - Includes All * Items		
22	BN-29609	Burner, Premix, 36mm Dia, 20 kW	-	1
23	BN-29610	Burner, Premix, 36mm Dia, 20 kW	1	-

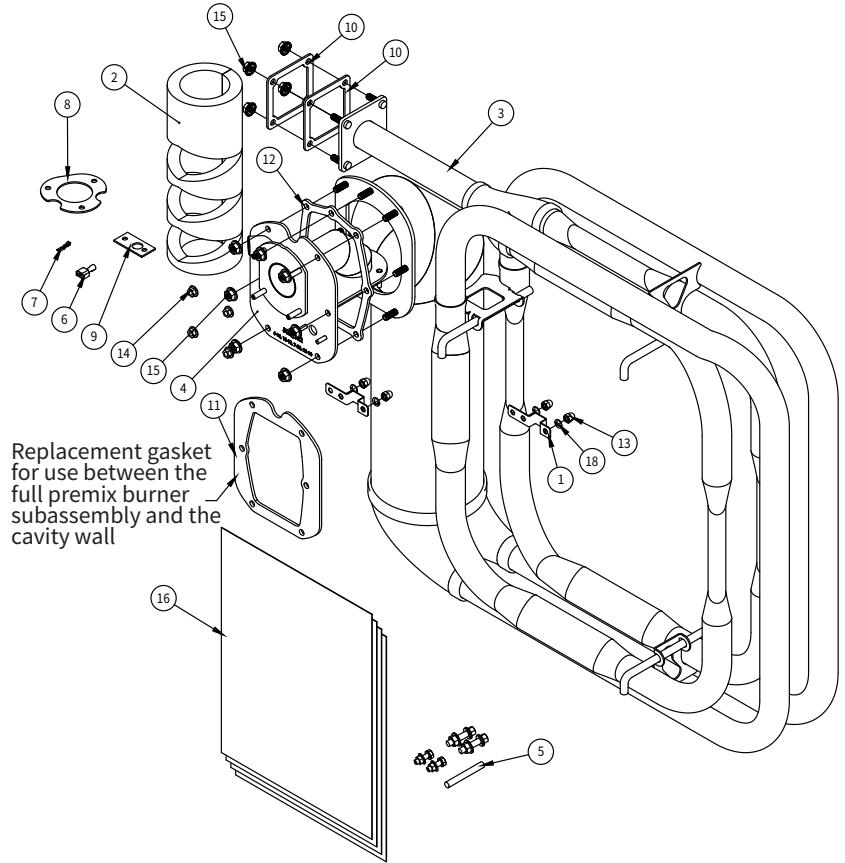
CONNECTION BOARD DETAILS



HEAT EXCHANGER SERVICE KITS

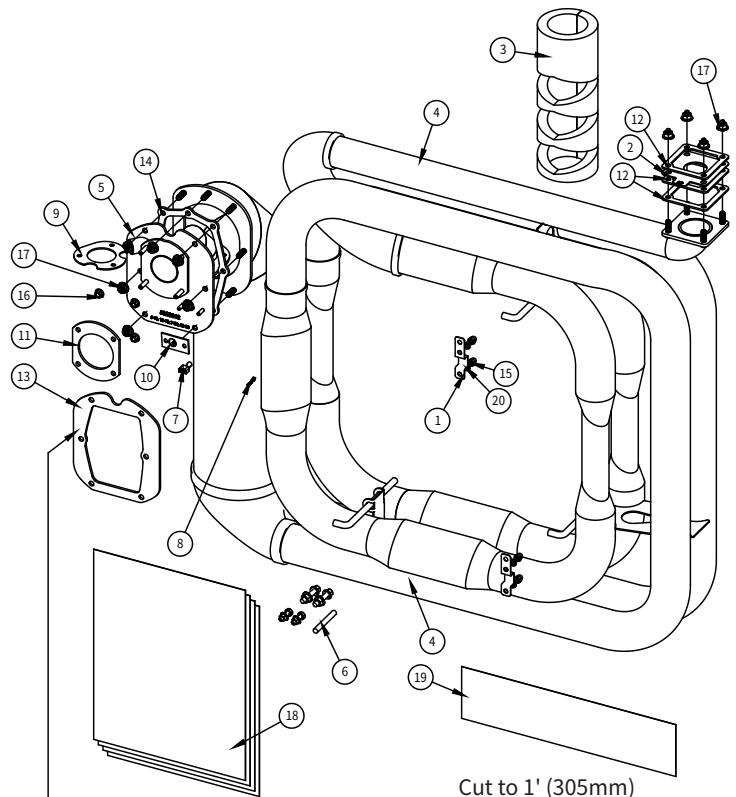
5017569 Service Kit For 6-10G

Item	Part	Description	Qty.
1	1013269	Bracket, Heat Exchanger Wire	2
2	1023659	Insulation, 0.5" E-glass, 2" Tube	1
3	5013958	Heat Exchanger Assembly, 20kW	1
4	5023362	Fitting Assembly, Burner Mount	1
5	5023747	Service Kit, Flue Hole Rework	1
6	CR-34639	Connector, Quick Disconnect	1
7	CR-36869	Terminal Connector	1
8	GS-29626	Gasket, 36mm Burner Fitting	1
9	GS-29627	Gasket, Ignition Component	1
10	GS-38840	Gasket, Exhaust Tube, 50mm	2
11	GS-38858	Gasket, Burner Flange	1
12	GS-38881	Gasket, Heat Exchanger, Chamber	1
13	domed cap nut din		4
14	NU-38212	Nut, M5-0.8 Hex FLG-SERR CL8 S/S	4
15	NU-38844	Nut, M6 x 1, Serrated Flange	11
16	SRV-20052	Service Doc	1
17	TA-35836	Tape, 3" Aluminum Foil, General	1
18	WS-22301	Washer, M5 Split Lock	4



5017568 Service Kit For 10-10G

Item	Part	Description	Qty.
1	1013269	Bracket, Heat Exchanger Wire	2
2	1022700	29mm Flue Restrictor	1
3	1023659	Insulation, 0.5" E-glass, 2" Tube	1
4	5023360	Heat Exchanger Assembly, 30kW	1
5	5023362	Fitting Assembly, Burner Mount	1
6	5023747	Service Kit, Flue Hole Rework	1
7	CR-34639	Connector, Quick Disconnect	1
8	CR-36869	Terminal Connector	1
9	GS-29626	Gasket, 36mm Burner Fitting	1
10	GS-29627	Gasket, Ignition Component	1
11	GS-37343	Gasket, Restrictor Plate	1
12	GS-38840	Gasket, Exhaust Tube, 50mm	3
13	GS-38858	Gasket, Burner Flange	1
14	GS-38881	Gasket, Heat Exchanger, Chamber	1
15	domed cap nut din		4
16	NU-38212	Nut, M5-0.8 Hex FLG-SERR CL8 S/S	4
17	NU-38844	Nut, M6 x 1, Serrated Flange	11
18	SRV-20052	Service Doc	1
19	TA-35836	Tape, 3" Aluminum Foil, General	1
20	WS-22301	Washer, M5 Split Lock	4

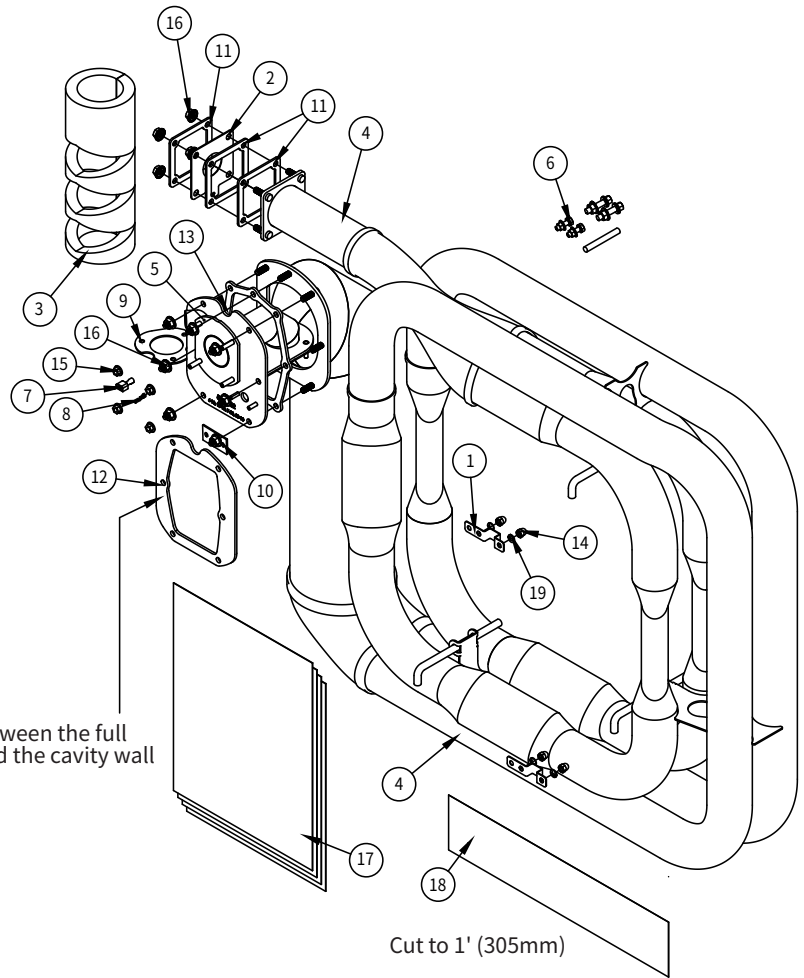


Replacement gasket for use between the full premix burner subassembly and the cavity wall

HEAT EXCHANGER SERVICE KITS

5017567 Service Kit For 7-20G

Item	Part	Description	Qty.
1	1013269	Bracket, Heat Exchanger Wire	2
2	1022700	29mm Flue Restrictor	1
3	1023659	Insulation, 0.5" E-glass, 2" Tube	1
4	5023359	Heat Exchanger Assembly, 30kW	1
5	5023362	Fitting Assembly, Burner Mount	1
6	5023747	Service Kit, Flue Hole Rework	1
7	CR-34639	Connector, Quick Disconnect	1
8	CR-36869	Terminal Connector	1
9	GS-29626	Gasket, 36mm Burner Fitting	1
10	GS-29627	Gasket, Ignition Component	1
11	GS-38840	Gasket, Exhaust Tube, 50mm	3
12	GS-38858	Gasket, Burner Flange	1
13	GS-38881	Gasket, Heat Exchanger, Chamber	1
14	domed cap nut din		4
15	NU-38212	Nut, M5-0.8 Hex FLG-SERR CL8 S/S	4
16	NU-38844	Nut, M6 x 1, Serrated Flange	11
17	SRV-20052	Service Doc	1
18	TA-35836	Tape, 3" Aluminum Foil, General	1
19	WS-22301	Washer, M5 Split Lock	4

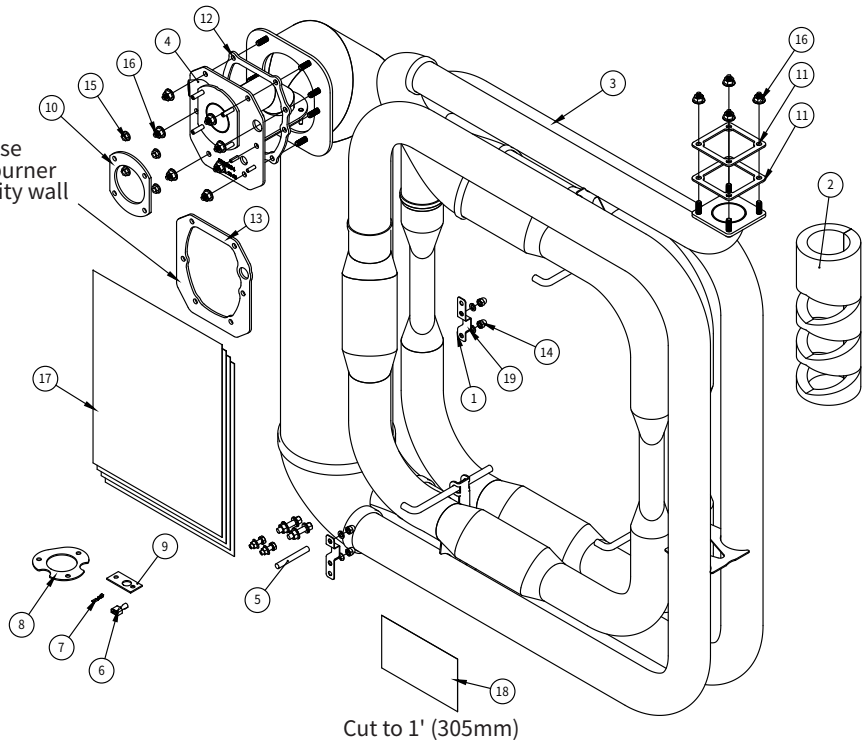


Replacement gasket for use between the full premix burner subassembly and the cavity wall

Cut to 1' (305mm)

5017570 Service Kit For 10-20G

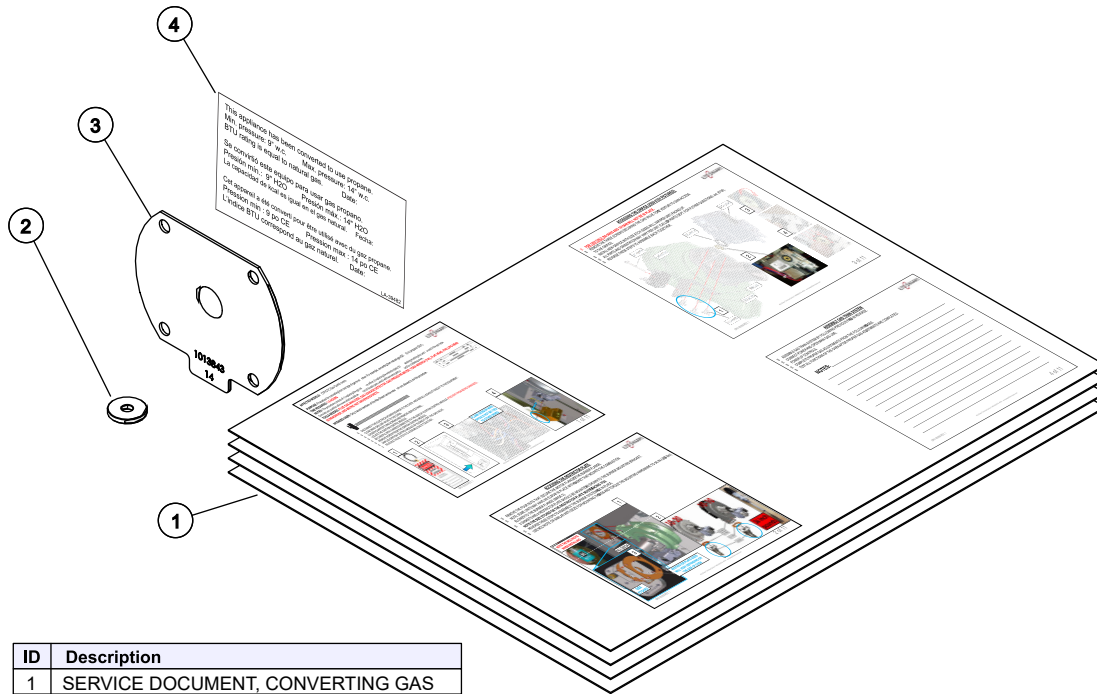
Item	Part	Description	Qty.
1	1013269	Bracket, Heat Exchanger Wire	2
2	1023659	Insulation, 0.5" E-glass, 2" Tube	1
3	5023383	Heat Exchanger Assembly, 40kW	1
4	5023384	Fitting Assembly, Burner Mount	1
5	5023747	Service Kit, Flue Hole Rework	1
6	CR-34639	Connector, Quick Disconnect	1
7	CR-36869	Terminal Connector	1
8	GS-29626	Gasket, 36mm Burner Fitting	1
9	GS-29627	Gasket, Ignition Component	1
10	GS-37343	Gasket, Restrictor Plate	1
11	GS-38840	Gasket, Exhaust Tube, 50mm	2
12	GS-38884	Gasket, Heat, Cavity In	1
13	GS-38900	Gasket, Burner Flange	1
14	domed cap nut din		4
15	NU-38212	Nut, M5-0.8 Hex FLG-SERR CL8 S/S	4
16	NU-38844	Nut, M6 x 1, Serrated Flange	11
17	SRV-20052	Service Doc	1
18	TA-35836	Tape, 3" Aluminum Foil, General	1
19	WS-22301	Washer, M5 Split Lock	4



Replacement gasket for use between the full premix burner subassembly and the cavity wall

Cut to 1' (305mm)

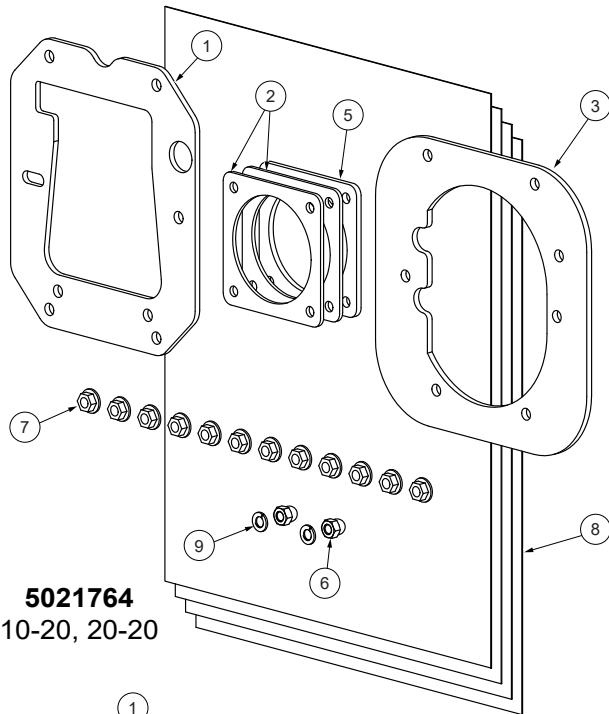
GAS CONVERSION KITS



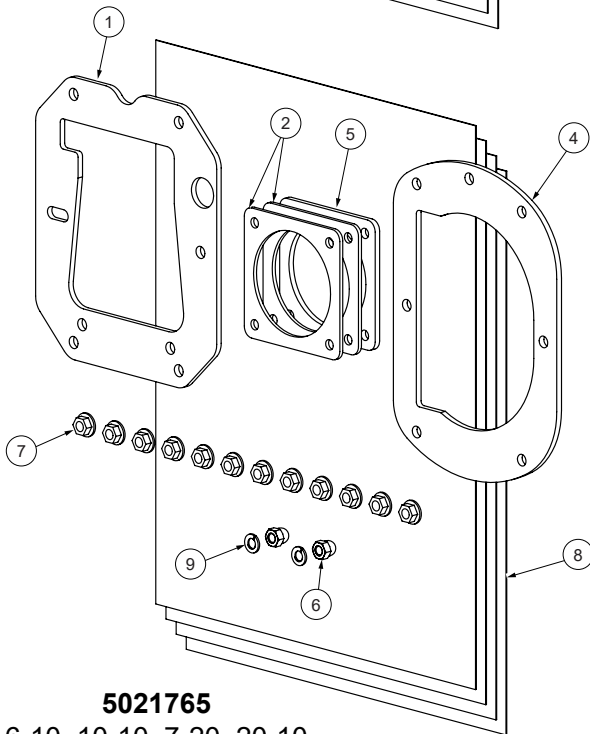
ID	Description
1	SERVICE DOCUMENT, CONVERTING GAS
2	ORIFICE, GAS VALVE DISC
3	RESTRICTOR PLATE
4	LABEL

CONVERSION KIT	GAS TYPE	
	G20 NATURAL GAS	G25 LOW CAL NAT GAS
	G30 BUTANE GAS	G31 PROPANE GAS
		FOR OVEN(S)
5025066	CONVERSION KIT, TO G25	6-10
5025067	CONVERSION KIT, TO G31	6-10
5025068	CONVERSION KIT, TO G30	6-10
5025370	CONVERSION KIT, TO G20	6-10
5025372	CONVERSION KIT, TO G20	7-20
5025069	CONVERSION KIT, TO G31	7-20
5025070	CONVERSION KIT, TO G30	7-20
5025371	CONVERSION KIT, TO G25	7-20
5025073	CONVERSION KIT, TO G30	10-10 & 20-10
5025071	CONVERSION KIT, TO G25	10-10 & 20-10
5025072	CONVERSION KIT, TO G31	10-10 & 20-10
5025074	CONVERSION KIT, TO G20	10-10 & 20-10
5025075	CONVERSION KIT, TO G20	10-20 & 20-20
5025375	CONVERSION KIT, TO G25	10-20 & 20-20
5025376	CONVERSION KIT, TO G31	10-20 & 20-20
5025377	CONVERSION KIT, TO G30	10-20 & 20-20

GASKET SERVICE KITS (PRIOR TO 1/17)



5021764
10-20, 20-20



5021765
6-10, 10-10, 7-20, 20-10

GENERAL NOTES:

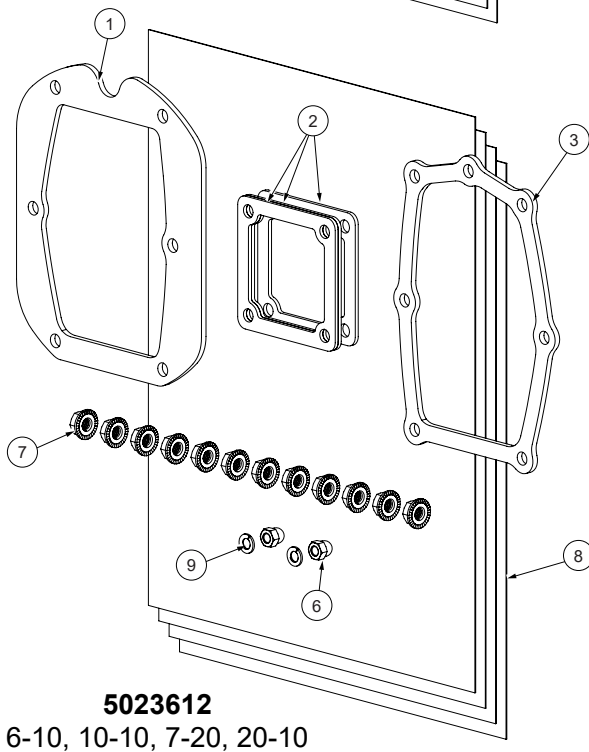
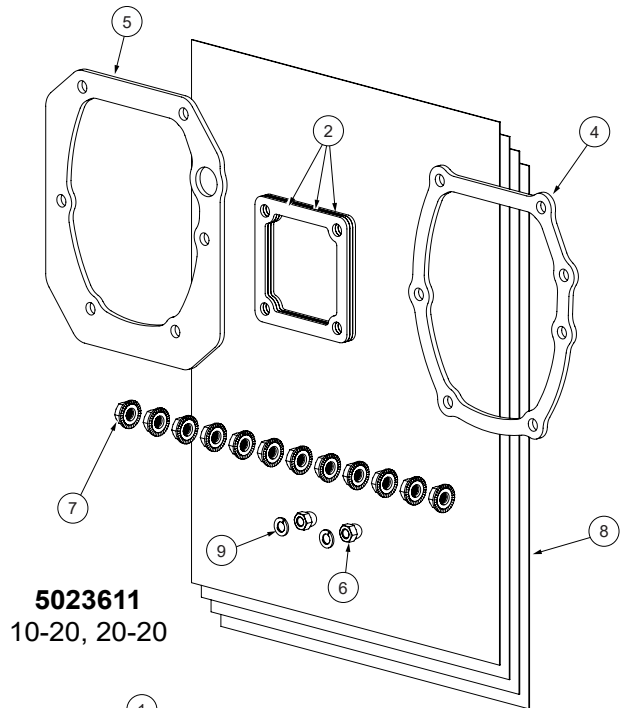
- 1) These kits are for use on ovens built PRIOR to 1/2017 and which have NOT had the heat exchanger replaced.
- 2) An extra serrated hex flange nut is included as a spare.
- 3) The M5 domed nut and split washers are spares to be used as needed.

ITEM	PART NO.	DESCRIPTION	QTY	QTY
1	GS-29591	GASKET, BURNER FITTING CTC/CTP	1	1
2	GS-29592	GASKET, EXHAUST TUBE, 50MM	2	2
3	GS-35164	GASKET, HEAT ,CAVITY IN	1	-
4	GS-35165	GASKET, HEAT, CAVITY IN	-	1
5	GS-38418	GASKET, EXH TUBE, 50MM INNER	1	1
6	NU-35233	ACORN CAP NUT, M5, 18-8 S/S	2	2
7	NU-38212	NUT,M5-0.8 HEX FLG-SERR CL8 SS	12	12
8	SRV-20053	SERVICE DOC, CTP/CTC HX GASKET	1	1
9	WS-22301	WASHERS,*CT,M5, SPLIT LOCK	2	2

5021764

5021765

GASKET SERVICE KITS (AFTER 1/17)



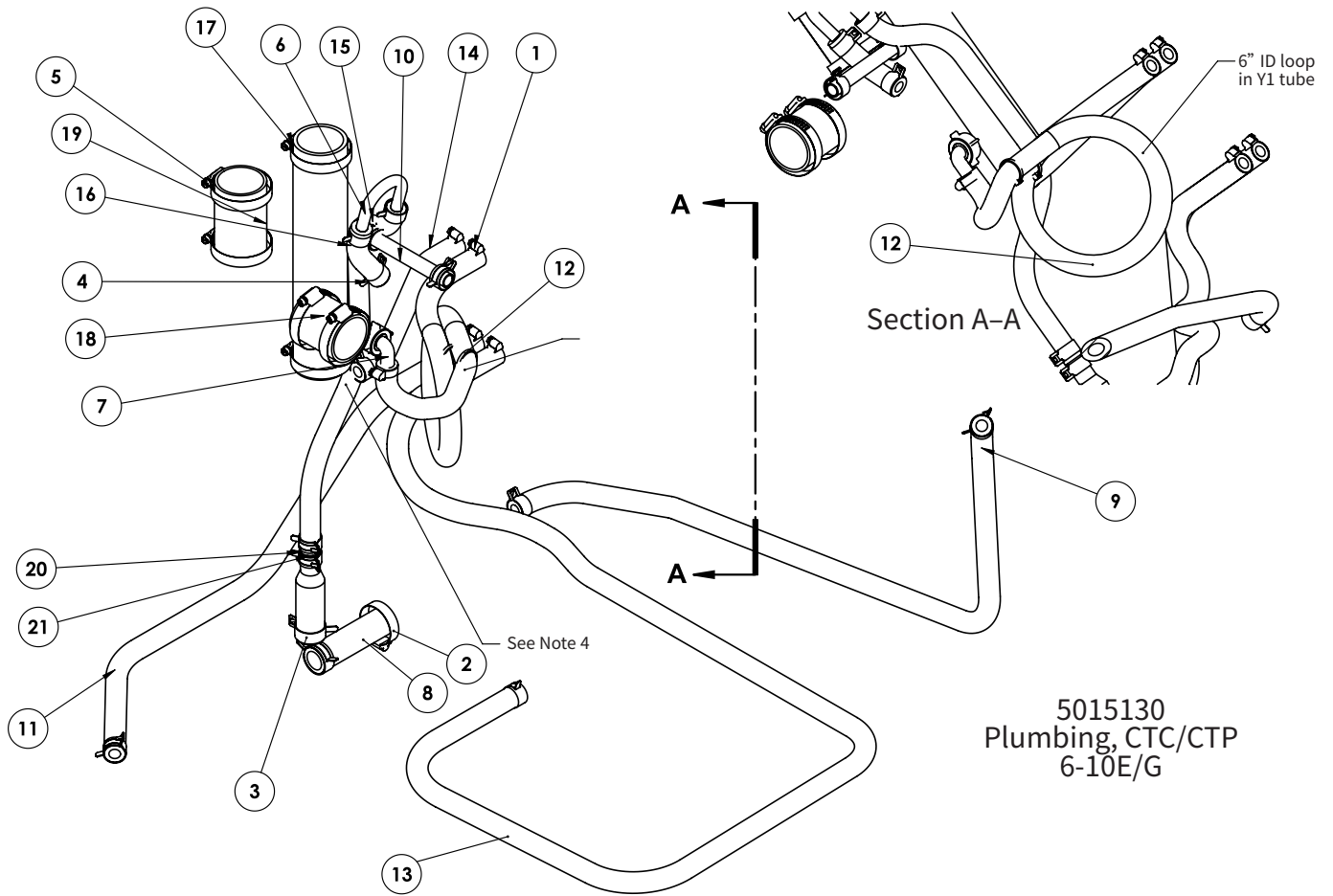
GENERAL NOTES:

- 1) These kits are for use on ovens built AFTER 1/2017, or all ovens which have had the heat exchanger replaced.
- 2) An extra serrated hex flange nut is included as a spare.
- 3) The M5 domed nut and split washers are spares to be used as needed.

ITEM	PART NO.	DESCRIPTION	QTY	QTY
1	GS-38858	GASKET, BURNER FLANGE	-	2
2	GS-38840	GASKET, EXHAUST TUBE, 50MM	3	3
3	GS-38881	GASKET, HEAT EXCHG, CHAMBER	1	1
4	GS-38884	GASKET, HEAT ,CAVITY IN	1	1
5	GS-38900	GASKET, BURNER FLANGE	3	-
6	NU-35233	ACORN CAP NUT, M5, 18-8 S/S	2	1
7	NU-38844	NUT,M6-1 HEX FLG-SERR CL8 SS	12	12
8	SRV-20053	SERVICE DOC, CTP/CTC HX GASKET	1	1
9	WS-22301	WASHERS,*CT,M5, SPLIT LOCK	2	2

5023611
5023612

6-10 ELECTRIC/GAS PLUMBING PRIOR TO 06/17



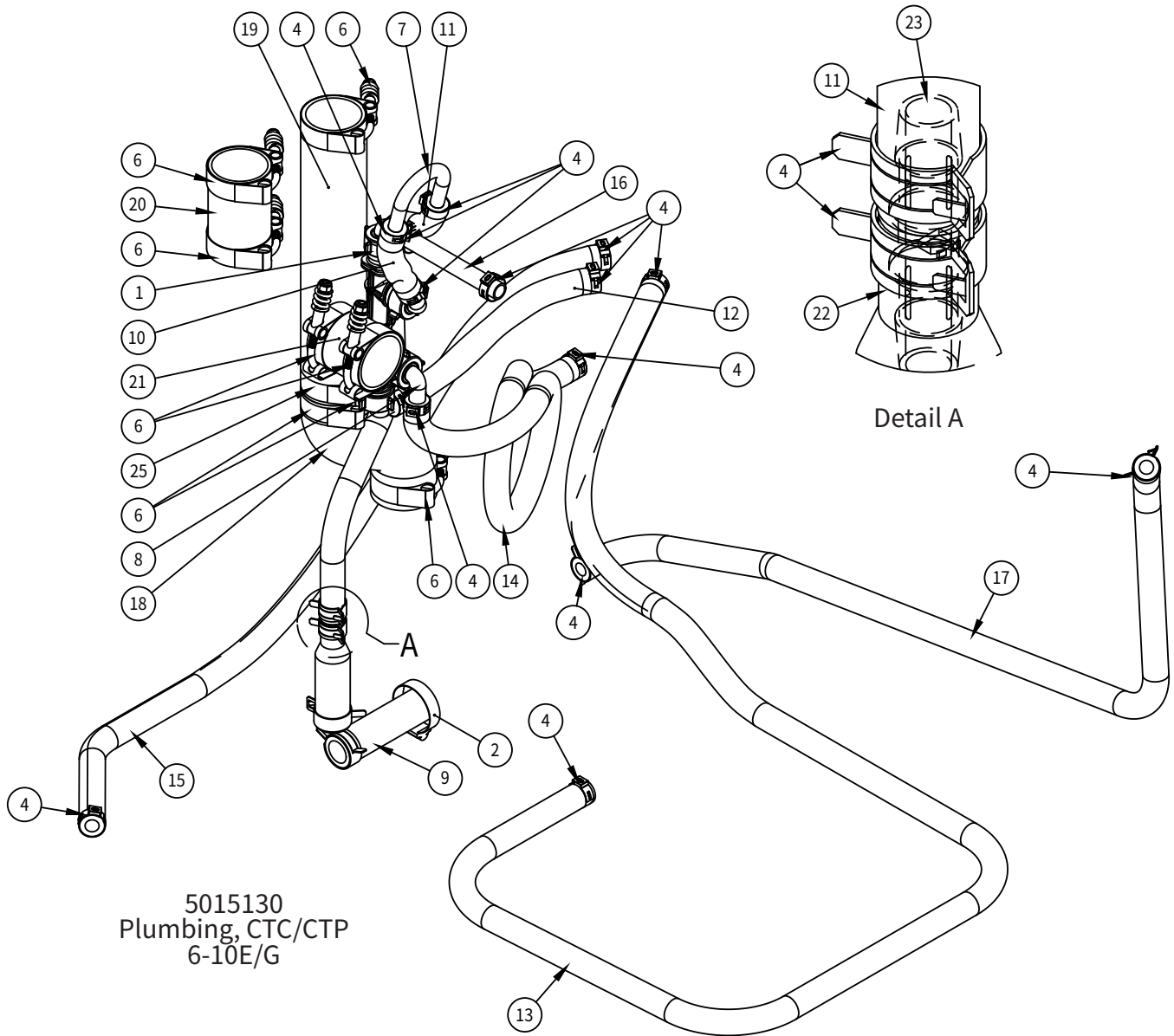
NOTES:

1. All clamps to be oriented with screw or prongs to service panel.
2. Worm gear clamps (CL-22232) shall be tightened with a torque wrench to a setting of 7 in-lbs.
3. Worm gear clamps (CM-38394) shall be tightened with a torque wrench to a setting of 35 in-lbs on HO-37289.
4. Y4 shall be tied to condensation vent stack with four (4) TI-3808 (not shown).
5. Y1 shall have a six-inch ID loop tied with two (2) TI-3808 (not shown).

Item	Part	Description	Qty.
1	CM-22794	Clamp, S/S, Range 3/4"-1-3/4"	1
2	CM-29037	Clamp, Hose, 32mm	2
3	CM-29301	Clamp, Hose, 23mm	12
4	CM-38882	Ear Clamp, Pinch, 9mm Band	5
5	CM-38886	Ear Clamp, Pinch, 7mm Band	6
6	FT-36445	Fitting, S/S, U-Shape	1
7	HO-22116	Fitting, Elbow, 90°	1
8	HO-27892_PUMPCOND	Hose, 0.875" ID, Pump/Cond	1
9	HO-28790_67495_B5_BOILER	Hose, 0.5" ID, B5	1
10	HO-28790_67495_Injection	Hose, 0.5" ID, Injection	1
11	HO-28790_67495_SHWRREEL	Hose, 0.5" ID, Shower Reel	1
12	HO-28790_67495_Y1_LOOP	Hose, 0.5" ID, Y1	1

Item	Part	Description	Qty.
13	HO-28790_67495_Y2	Hose, 0.5" ID, Y2	1
14	HO-28790_67495_Y3	Hose, 0.5" ID, Y3	1
15	HO-28790_67495_Y4	Hose, 0.5" ID, Y4	1
16	HO-28790_67495_Y4_Injection	Hose, 0.5" ID, Y4-Injection	1
17	HO-35321_67495_COND	Hose, 2" ID, Cond Exh.	1
18	HO-37289_67495-UPPER VENT HORIZ	Hose, 50mm ID, Upper Vent Horizontal	1
19	HO-37289_67666-UPPER VERT	Hose, 50mm ID, Upper Vent	2
20	PB-29289	Reducer, 7/8" x 1/2"	1
21	PB-29489	Coupler, 1/2" To 1/2"	1
22	TI-3808	Tie Wire, 8" (140mm), Natural	6

6-10 ELECTRIC/GAS PLUMBING AFTER 06/17

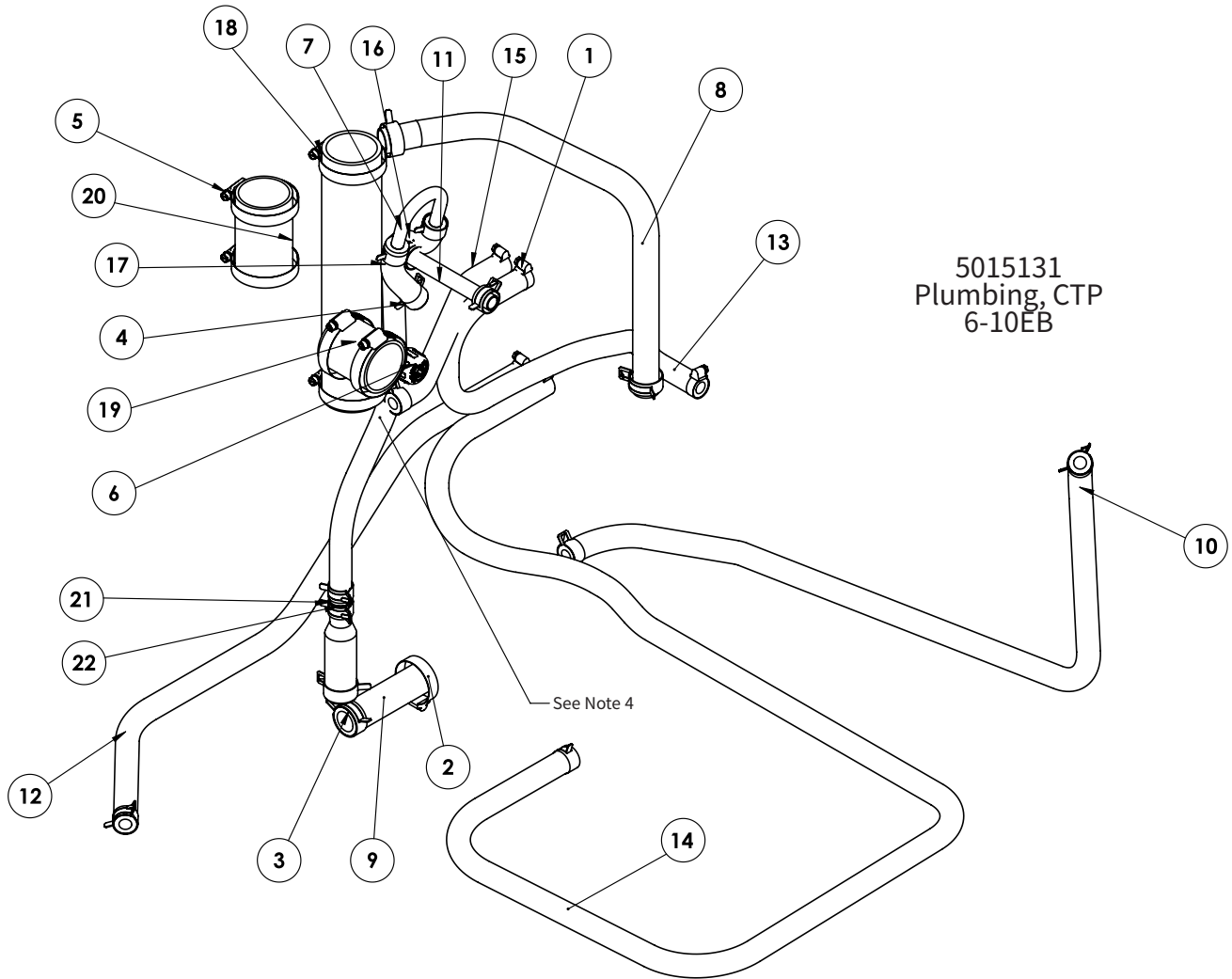


5015130
Plumbing, CTC/CTP
6-10E/G

Item	Part	Description	Qty.
1	5017171	Assembly, Water Manifold	1
2	CM-22794	Clamp, S/S, Range 3/4"-1-3/4"	1
3	CM-29037	Clamp, Hose, 32mm	2
4	CM-29301	Clamp, Hose, 23mm	4
5	CM-38882	Ear Clamp, Pinch, 9mm Band	13
6	CM-39283	T-Bolt Spring Clamp	8
7	FT-36445	Fitting, S/S, U-Shape	1
8	HO-22116	Fitting, Elbow, 90°,	1
9	HO-27892	Hose, 0.875" ID, Pump/Cond	1
10	HO-28790	Hose, 0.5" ID, Y4-Injection	1
11	HO-28790	Hose, 0.5" ID, Y4	1
12	HO-28790	Hose, 0.5" ID, Y3	1
13	HO-28790	Hose, 0.5" ID, Y2	1

Item	Part	Description	Qty.
14	HO-28790	Hose, 0.5" ID, Y1	1
15	HO-28790	Hose, 0.5" ID, Shower Reel	1
16	HO-28790	Hose, 0.5" ID, Injection	1
17	HO-28790	Hose, 0.5" ID, B5, Boiler	1
18	HO-35091	Hose, Offset, 2" OD Tube	1
19	HO-35321	Hose, 2" ID, Condenser Exhaust	1
20	HO-37289	Hose, 50mm ID, Upper Browning Vent	1
21	HO-37289	Hose, 50mm ID, Browning Vent Horizontal	2
22	PB-29289	Reducer, 7/8" x 1/2"	1
23	PB-29489	Coupler, 1/2" To 1/2"	1
24	TI-3808	Tie Wire, 8" (140mm), Natural	6
25	TU-36666	Tube, Coupling	1

6-10 ELECTRIC WITH BOILER PLUMBING PRIOR TO 06/17



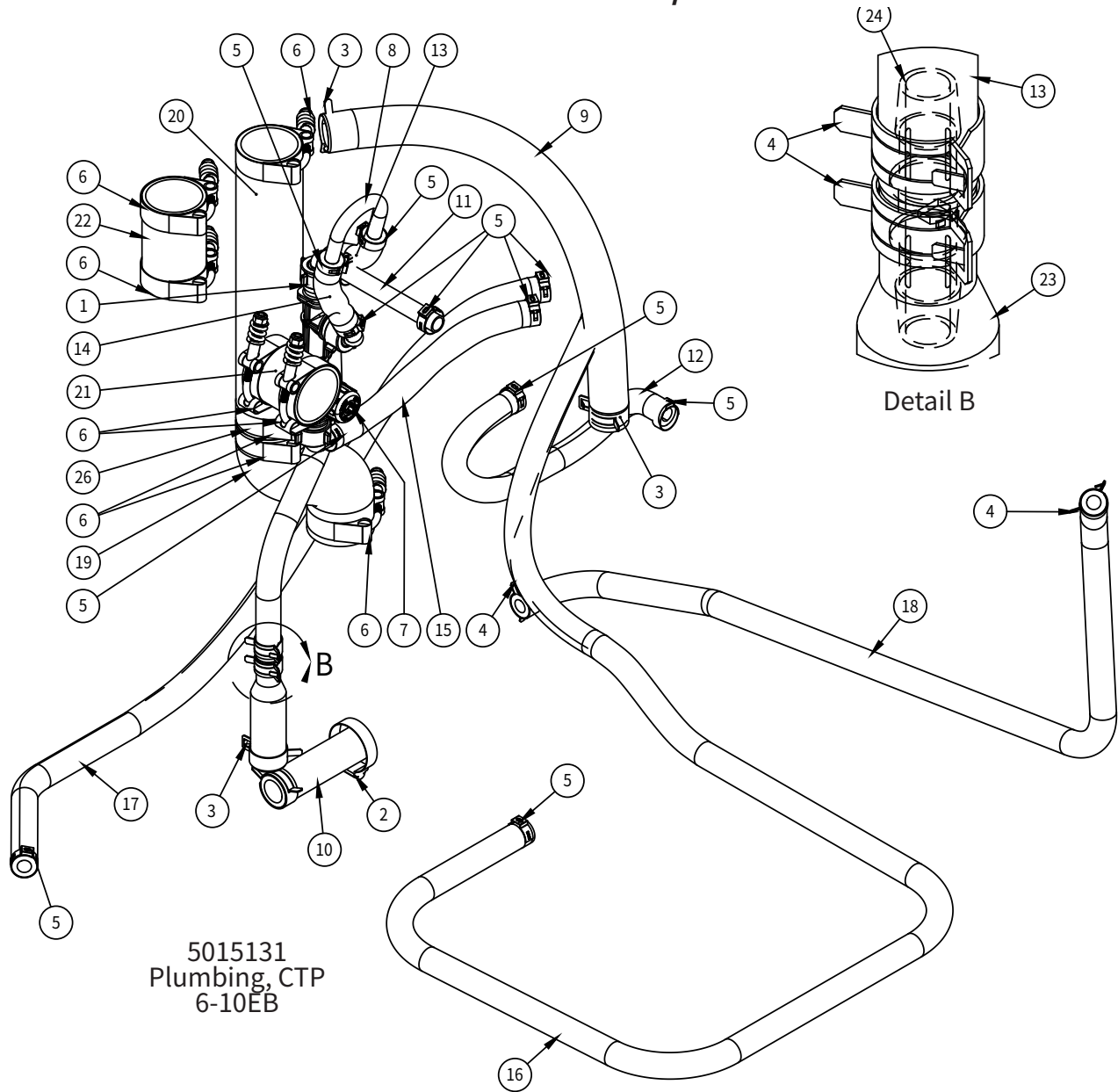
NOTES:

1. All clamps to be oriented with screw or prongs to service panel.
2. Worm gear clamps (CL-22232) shall be tightened with a torque wrench to a setting of 7 in.-lbs.
3. Worm gear clamps (CM-38394) shall be tightened with a torque wrench to a setting of 35 in.-lbs.
4. Y4 shall be tied to condensation vent stack with four (4) T1-3808 (not shown).

Item	Part	Description	Qty.
1	CM-22794	Clamp, S/S, Range 3/4"-1-3/4"	1
2	CM-29037	Clamp, Hose, 32mm	4
3	CM-29301	Clamp, Hose, 23mm	12
4	CM-38882	Ear Clamp, Pinch, 9mm Band	5
5	CM-38886	Ear Clamp, Pinch, 7mm Band	6
6	CP-35253	G 3/4-14 BSP Cap	1
7	FT-36445	Fitting, S/S, U-Shape	1
8	HO-27892_67495_BOILER	Hose, 0.875" ID, Boiler Pump	1
9	HO-27892_PUMPCOND	Hose, 0.875" ID, Pump/Cond	1
10	HO-28790_67495_B5_BOILER	Hose, 0.5" ID, B5	1
11	HO-28790_67495_Injection	Hose, 0.5" ID, Injection	1
12	HO-28790_67495_SHWRREEL	Hose, 0.5" ID, Shower Reel	1

Item	Part	Description	Qty.
13	HO-28790_67495_Y1BOILER	Hose, 0.5" ID, Y1 Boiler	1
14	HO-28790_67495_Y2	Hose, 0.5" ID, Y2	1
15	HO-28790_67495_Y3	Hose, 0.5" ID, Y3	1
16	HO-28790_67495_Y4	Hose, 0.5" ID, Y4	1
17	HO-28790_67495_Y4_Injection	Hose, 0.5" ID, Y4-Injection	1
18	HO-35321_67495_COND	Hose, 2" ID, Cond Exh.	1
19	HO-37289_67495-UPPER VENT HORIZ	Hose, 50mm ID, Upper Vent Horizontal	1
20	HO-37289_67666-UPPER VERT	Hose, 50mm ID, Upper Vent	2
21	PB-29289	Reducer, 7/8" x 1/2"	1
22	PB-29489	Coupler, 1/2" To 1/2"	1
23	T1-3808	Tie Wire, 8" (140mm), Natural	4

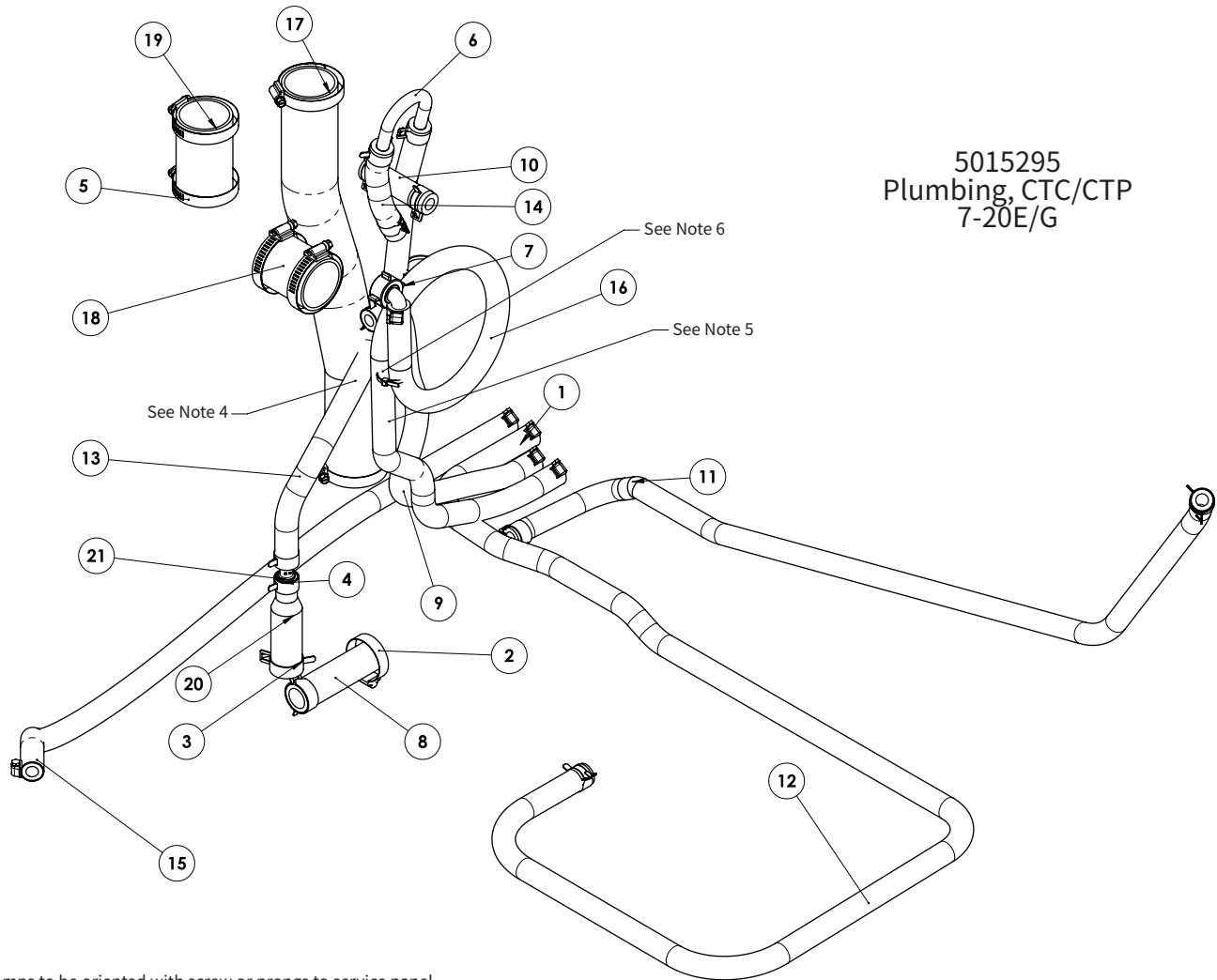
6-10 ELECTRIC WITH BOILER PLUMBING AFTER 06/17



Item	Part	Description	Qty.
1	5017171	Assembly, Water Manifold	1
2	CM-22794	Clamp, S/S, Range 3/4"-1-3/4"	1
3	CM-29037	Clamp, Hose, 32mm	2
4	CM-29301	Clamp, Hose, 23mm	4
5	CM-38882	Ear Clamp, Pinch, 9mm Band	13
6	CM-39283	T-Bolt Spring Clamp	8
7	CP-35253	G 3/4-14 BSP Cap	1
8	FT-36445	Fitting, S/S, U-Shape	1
9	HO-27892	Hose, 0.875" ID, Boiler Pump	1
10	HO-27892	Hose, 0.875" ID, Pump/Cond	1
11	HO-28790	Hose, 0.5" ID, Injection	1
12	HO-28790	Hose, 0.5" ID, Y1 Boiler	1
13	HO-28790	Hose, 0.5" ID, Y4	1

Item	Part	Description	Qty.
14	HO-28790	Hose, 0.5" ID, Y4-Injection	1
15	HO-28790	Hose, 0.5" ID, Y3	1
16	HO-28790	Hose, 0.5" ID, Y2	1
17	HO-28790	Hose, 0.5" ID, Shower Reel	1
18	HO-28790	Hose, 0.5" ID, B5, Boiler	1
19	HO-35091	Hose, Offset, 2" OD Tube	1
20	HO-35321	Hose, 2" ID, Condenser Exhaust	1
21	HO-37289	Hose, 50mm ID, Browning Vent Horizontal	1
22	HO-37289	Hose, 50mm ID, Upper Browning Vent	2
23	PB-29289	Reducer, 7/8" x 1/2"	1
24	PB-29489	Coupler, 1/2" To 1/2"	1
25	TI-3808	Tie Wire, 8" (140mm), Natural	6
26	TU-36666	Tube, Coupling	1

7-20 ELECTRIC/GAS PLUMBING PRIOR TO 06/17



5015295
Plumbing, CTC/CTP
7-20E/G

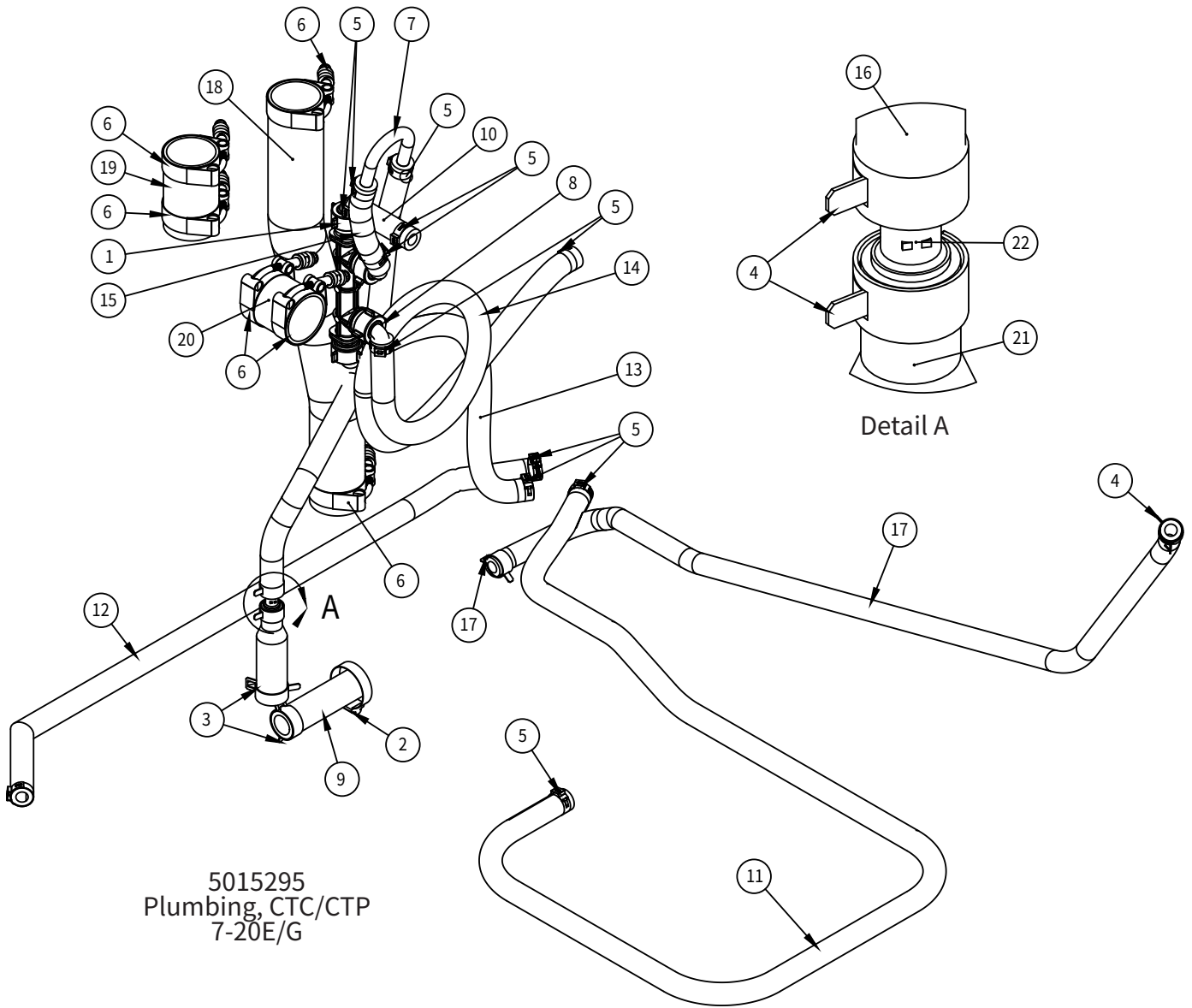
NOTES:

1. All clamps to be oriented with screw or prongs to service panel.
2. Worm gear clamps (CL-22232) shall be tightened with a torque wrench to a setting of 7 in.-lbs.
3. Worm gear clamps (CM-38394) shall be tightened with a torque wrench to a setting of 35 in.-lbs on HO-37289.
4. Y4 shall be tied to condensation vent stack with four (4) TI-3808 (not shown).
5. Y3/Y1 shall be tied together with two (2) TI-3808 (not shown).
6. Y1 shall have a six (6) inch ID loop tied with two (2) TI-3808 (not shown).

Item	Part	Description 1	Description 2	Qty.
1	CM-22794	Clamp, S/S, Range 3/4"-1-3/4"		1
2	CM-29037	Clamp, Hose, 32mm		2
3	CM-29301	Clamp, Hose, 23mm	Rotor Clip CTB-23 or Equivalent	9
4	CM-38882	Ear Clamp, Pinch, 9mm Band	Size Range 19.4-22.6mm ID	8
5	CM-38886	Ear Clamp, Pinch, 7mm Band	Size Range 63.3-66.5mm ID	6
6	FT-36445	Fitting, S/S, U-Shape	0.5" OD	1
7	HO-22116	Fitting, Elbow, 90°		1
8	HO-27892_PUMPCOND	Hose, 0.875" ID, Pump/Cond	108mm	1
9	HO-28790_67666_02	Hose, 0.5" ID, Y3	485mm	1
10	HO-28790_67666_04	Hose, 0.5" ID, Injection	90mm	1
11	HO-28790_67666_05	Hose, 0.5" ID, B5	1160mm	1

Item	Part	Description 1	Description 2	Qty.
12	HO-28790_67666_Y2	Hose, 0.5" ID, Y2	1830mm	1
13	HO-28790_67666_Y4_01	Hose, 0.5" ID, Y4	578mm	1
14	HO-28790_67666_Y4_02	Hose, 0.5" ID, Y4_02	135mm	1
15	HO-28790_67666_Y5	Hose, 0.5" ID, Y5	790mm	1
16	HO-28790_LOOP_67666_Y1	Hose, 0.5" ID, Y1	1010mm	1
17	HO-35321_67666_01	Hose, 2" ID, Cond Exhaust	533mm	1
18	HO-37289_67666_UPPER VENT VERT	Hose, 50mm ID, Upper Vent	102mm	1
19	HO-37289_67666_UPPER VENT Horiz	Hose, 50mm ID, Upper Vent Horizontal	76mm	1
20	PB-29289	Reducer, 7/8" x 1/2"		1
21	PB-29489	Coupler, 1/2" to 1/2"	Straight Barb, Natural Nylon	1
22	TI-3808	Tie wire, 8" (140mm), Natural	With Routing Points	8

7-20 ELECTRIC/GAS PLUMBING AFTER 06/17



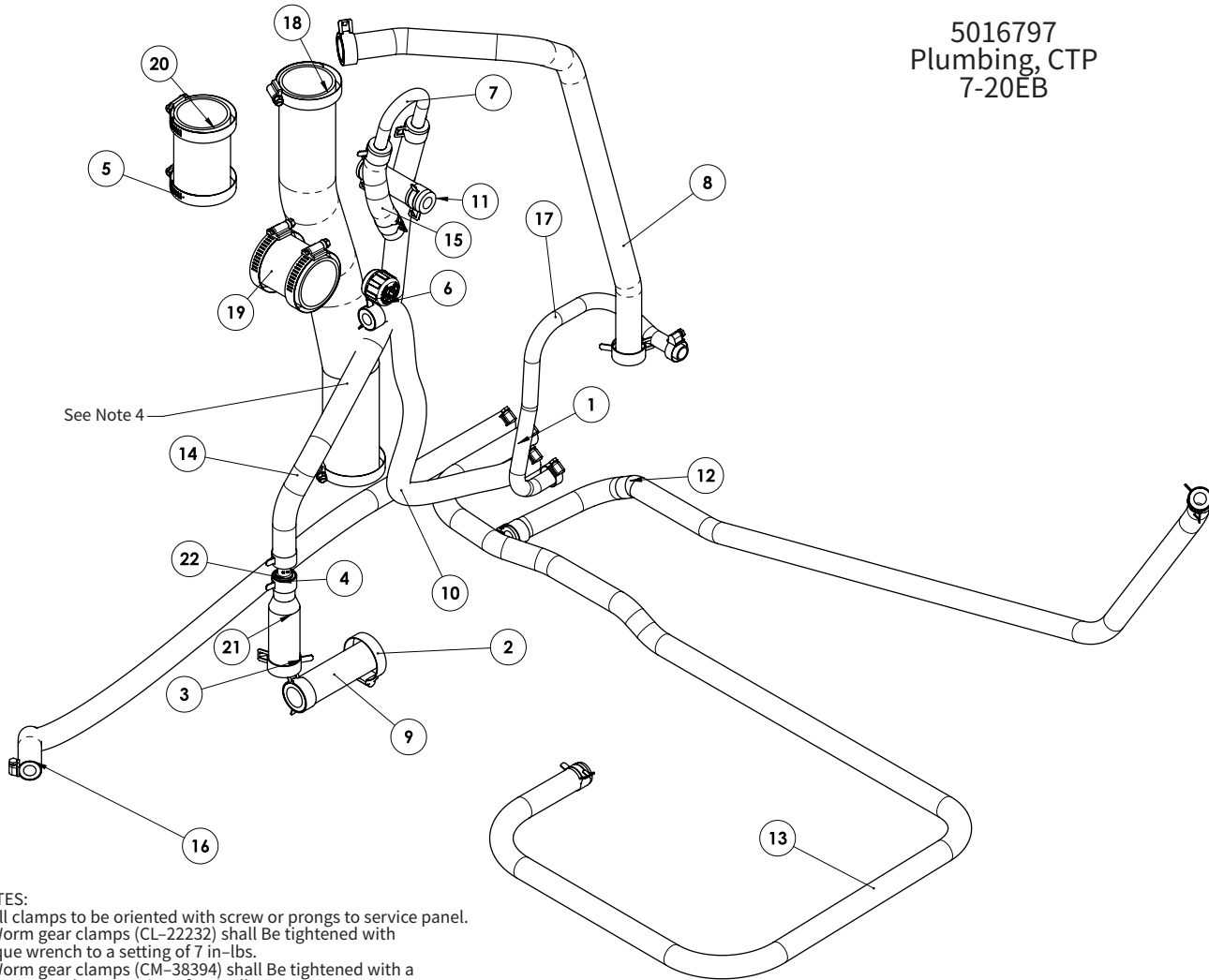
5015295
Plumbing, CTC/CTP
7-20E/G

Item	Part	Description	Qty.
1	5017171	Assembly, Water Manifold	1
2	CM-22794	Clamp, S/S, Range 3/4"-1-3/4"	1
3	CM-29037	Clamp, Hose, 32mm	2
4	CM-29301	Clamp, Hose, 23mm	4
5	CM-38882	Ear Clamp, Pinch, 9mm Band	3
6	CM-39283	T-Bolt Spring Clamp	6
7	FT-36445	Fitting, S/S, U-Shape	1
8	HO-22116	Fitting, Elbow, 90°	1
9	HO-27892	Hose, 0.875" ID, Boiler Pump	1
10	HO-28790	Hose, 0.5" ID, Injection	1
11	HO-28790	Hose, 0.5" ID, Y2	1
12	HO-28790	Hose, 0.5" ID, Y5	1

Item	Part	Description	Qty.
13	HO-28790	Hose, 0.5" ID, Y3	1
14	HO-28790	Hose, 0.5" ID, Y1, Loop	1
15	HO-28790	Hose, 0.5" ID, Y4_02	1
16	HO-28790	Hose, 0.5" ID, Y4_01	1
17	HO-28790	Hose, 0.5" ID, B5, Boiler	1
18	HO-35321	Hose, 2" ID, Condenser Exhaust	1
19	HO-37289	Hose, 50mm ID, Upper Browning Vent	1
20	HO-37289	Hose, 50mm ID, Browning Vent Horizontal	1
21	PB-29289	Reducer, 7/8" x 1/2"	1
22	PB-29489	Coupler, 1/2" To 1/2"	1
23	TI-3808	Tie Wire, 8" (140mm), Natural	9

7-20 ELECTRIC WITH BOILER PLUMBING PRIOR TO 06/17

5016797
Plumbing, CTP
7-20EB

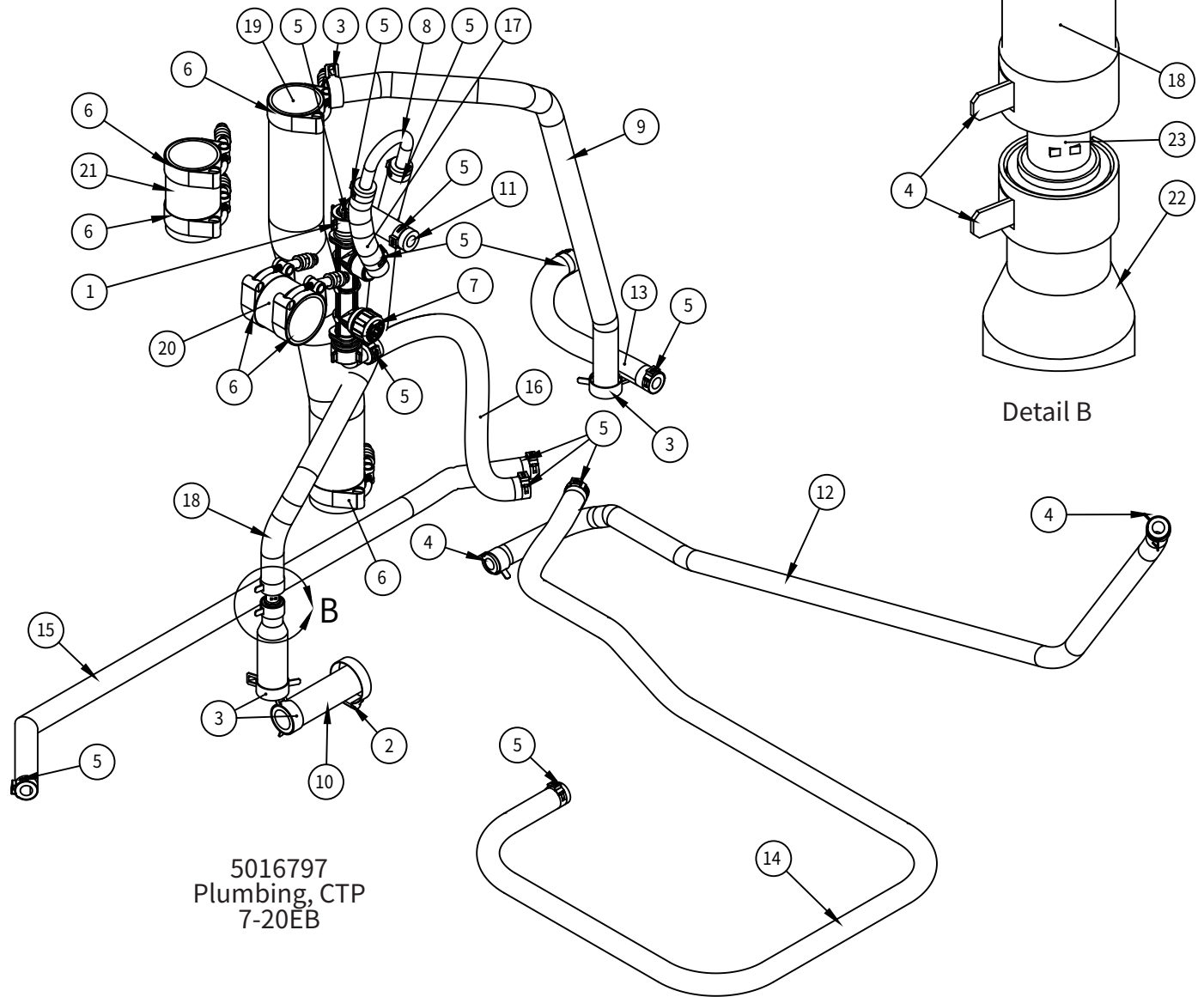


- NOTES:
1. All clamps to be oriented with screw or prongs to service panel.
 2. Worm gear clamps (CL-22232) shall be tightened with torque wrench to a setting of 7 in-lbs.
 3. Worm gear clamps (CM-38394) shall be tightened with a torque wrench to a setting of 35 in-lbs on HO-37289.
 4. Y4 shall be tied to condensation vent stack with four (4) TI-3808 (not shown).

Item	Part	Description 1	Description 2	Qty.
1	CM-22794	Clamp, S/S, Range 3/4"-1-3/4"		1
2	CM-29037	Clamp, Hose, 32mm		4
3	CM-29301	Clamp, Hose, 23mm	Rotor Clip CTB-23 or Equivalent	9
4	CM-38882	Ear Clamp, Pinch, 9mm Band	Size Range 19.4 - 22.6mm ID	8
5	CM-38886	Ear Clamp, Pinch, 7mm Band	Size Range 63.3-66.5mm ID	6
6	CP-35253	G 3/4-14 BSP Cap		1
7	FT-36445	Fitting, S/S, U-Shape	0.5" OD	1
8	HO-27892_67666_02	Hose, 0.875" ID, Boiler Pump	675mm	1
9	HO-27892_PUMPCOND	Hose, 0.875" ID, Pump/Cond	108mm	1
10	HO-28790_67666_02	Hose, 0.5" ID, Y3	485mm	1
11	HO-28790_67666_04	Hose, 0.5" ID, injection	90mm	1
12	HO-28790_67666_05	Hose, 0.5" ID, B5	1160mm	1

Item	Part	Description 1	Description 2	Qty.
13	HO-28790_67666_Y2	Hose, 0.5" ID, Y2	1830mm	1
14	HO-28790_67666_Y4_01	Hose, 0.5" ID, Y4	578mm	1
15	HO-28790_67666_Y4_02	Hose, 0.5" ID, Y4_02	135mm	1
16	HO-28790_67666_Y5	Hose, 0.5" ID, Y5	790mm	1
17	HO-28790_Y1BOILER_7.14	Hose, 0.5" ID, Y1 Boiler	435mm	1
18	HO-35321_67666_01	Hose, 2" ID, Cond Exhaust	533mm	1
19	HO-37289_67666_UPPER VENT VERT	Hose, 50mm ID, Upper Vent	102mm	1
20	HO-37289_67666_UPPER VENT Horiz	Hose, 50mm ID, Upper Vent Horizontal	76mm	1
21	PB-29289	Reducer, 7/8" x 1/2"		1
22	PB-29489	Coupler, 1/2" to 1/2"	Straight Barb, Natural Nylon	1
23	TI-3808	Tie Wire, 8" (140mm), Natural	With Routing Points	8

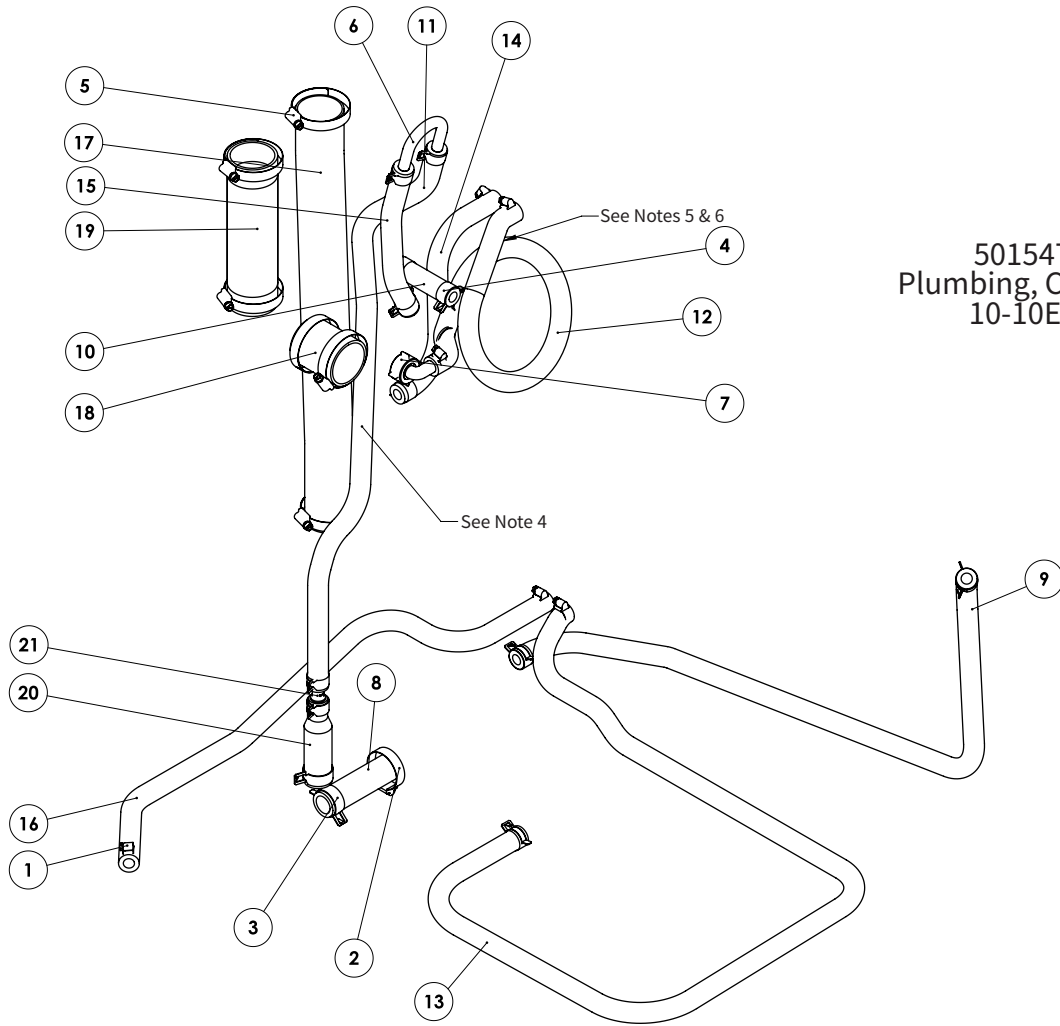
7-20 ELECTRIC WITH BOILER PLUMBING AFTER 06/17



Item	Part	Description	Qty.
1	5017171	Assembly, Water Manifold	1
2	CM-22794	Clamp, S/S, Range 3/4"-1-3/4"	1
3	CM-29037	Clamp, Hose, 32mm	2
4	CM-29301	Clamp, Hose, 23mm	4
5	CM-38882	Ear Clamp, Pinch, 9mm Band	13
6	CM-39283	T-Bolt Spring Clamp	8
7	CP-35253	G 3/4-14 BSP Cap	1
8	FT-36445	Fitting, S/S, U-Shape	1
9	HO-27892	Hose, 0.875" ID, Boiler Pump	1
10	HO-27892	Hose, 0.875" ID, Pump/Cond	1
11	HO-28790	Hose, 0.5" ID, Injection	1
12	HO-28790	Hose, 0.5" ID, B5	1

Item	Part	Description	Qty.
13	HO-28790	Hose, 0.5" ID, Y1 Boiler	1
14	HO-28790	Hose, 0.5" ID, Y2	1
15	HO-28790	Hose, 0.5" ID, Y5	1
16	HO-28790	Hose, 0.5" ID, Y3	1
17	HO-28790	Hose, 0.5" ID, Y4_02	1
18	HO-28790	Hose, 0.5" ID, Y4_01	1
19	HO-35321	Hose, 2" ID, Condenser Exhaust	1
20	HO-37289	Hose, 50mm ID, Browning Vent Horizontal	2
21	HO-37289	Hose, 50mm ID, Upper Browning Vent	1
22	PB-29289	Reducer, 7/8" x 1/2"	1
23	PB-29489	Coupler, 1/2" To 1/2"	1
24	TI-3808	Tie Wire, 8" (140mm), Natural	6

10-10 ELECTRIC/GAS PLUMBING PRIOR TO 06/17



5015475
Plumbing, CTC/CTP
10-10E/G

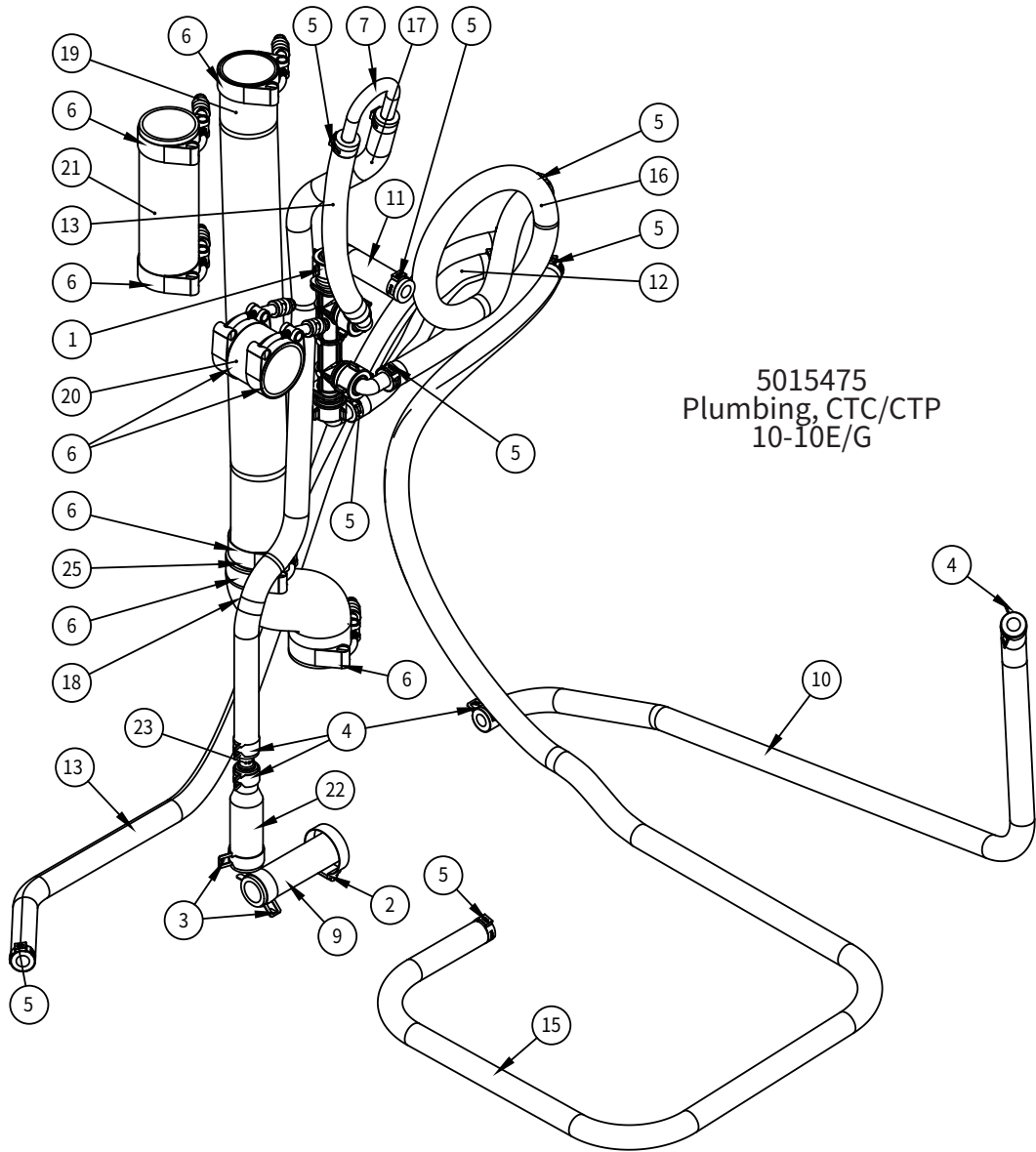
NOTES:

1. All clamps to be oriented with screw or prongs to service panel.
2. Worm gear clamps (CL-22232) shall be tightened with a torque wrench to a setting of 7 in.-lbs.
3. Worm gear clamps (CM-38394) shall be tightened with a torque wrench to a setting of 35 in.-lbs on HO-37289.
4. Y4 shall be tied to condensation vent stack with four (4) TI-3808 (not shown).
5. Y3/Y1 shall be tied together with two (2) TI-3808 (not shown).
6. Y1 shall have a six (6) inch ID loop tied with two (2) TI-3808 (not shown).

Item	Part	Description 1	Description 2	Qty.
1	CM-22794	Clamp, S/S, Range 3/4"-1-3/4"		1
2	CM-29037	Clamp, Hose, 32mm		2
3	CM-29301	Clamp, Hose, 23mm	Rotor Clip CTB-23 or Equivalent	10
4	CM-38882	Ear Clamp, Pinch, 9mm Band	Size Range 19.4 - 22.6mm ID	7
5	CM-38886	Ear Clamp, Pinch, 7mm Band	Size Range 63.3-66.5mm ID	6
6	FT-36445	Fitting, S/S, U-Shape	0.5" OD	1
7	HO-22116	Fitting, Elbow, 90°		1
8	HO-27892_PUMPCOND	Hose, 0.875" ID, Pump/Cond	108mm	1
9	HO-28790_67495_B5	Hose, 0.5" ID, B5	970mm	1
10	HO-28790_67666_04	Hose, 0.5" ID, injection	90mm	1
11	HO-28790_67707-Y4	Hose, 0.5" ID, Y4	765mm	1

Item	Part	Description 1	Description 2	Qty.
12	HO-28790_67707_Y1_LOOP	Hose, 0.5" ID, Y1	708mm	1
13	HO-28790_67707_Y2	Hose, 0.5" ID, Y2	1725mm	1
14	HO-28790_67707_Y3	Hose, 0.5" ID, Y3	330mm	1
15	HO-28790_67707_Y4_02	Hose, 0.5" ID, Y4_02	245mm	1
16	HO-28790_67707_Y5	Hose, 0.5" ID, Y5	760mm	1
17	HO-35321_67707_CONDEXH	Hose, 2" ID, Cond Exhaust	560mm	1
18	HO-37289_67707_UPPER VENT HORIZ	Hose, 50mm ID, Upper Vent Horizontal	76mm	1
19	HO-37289_67708_UPPER Vertical Vent	Hose, 50mm ID, Vertical Vent	203mm	1
20	PB-29289	Reducer, 7/8" x 1/2"		1
21	PB-29489	Coupler, 1/2" To 1/2"	Straight Barb, Natural Nylon	1
22	TI-3807	Tie Wire, 4", Natural Color	With Routing Points	8

10-10 ELECTRIC/GAS PLUMBING AFTER 06/17

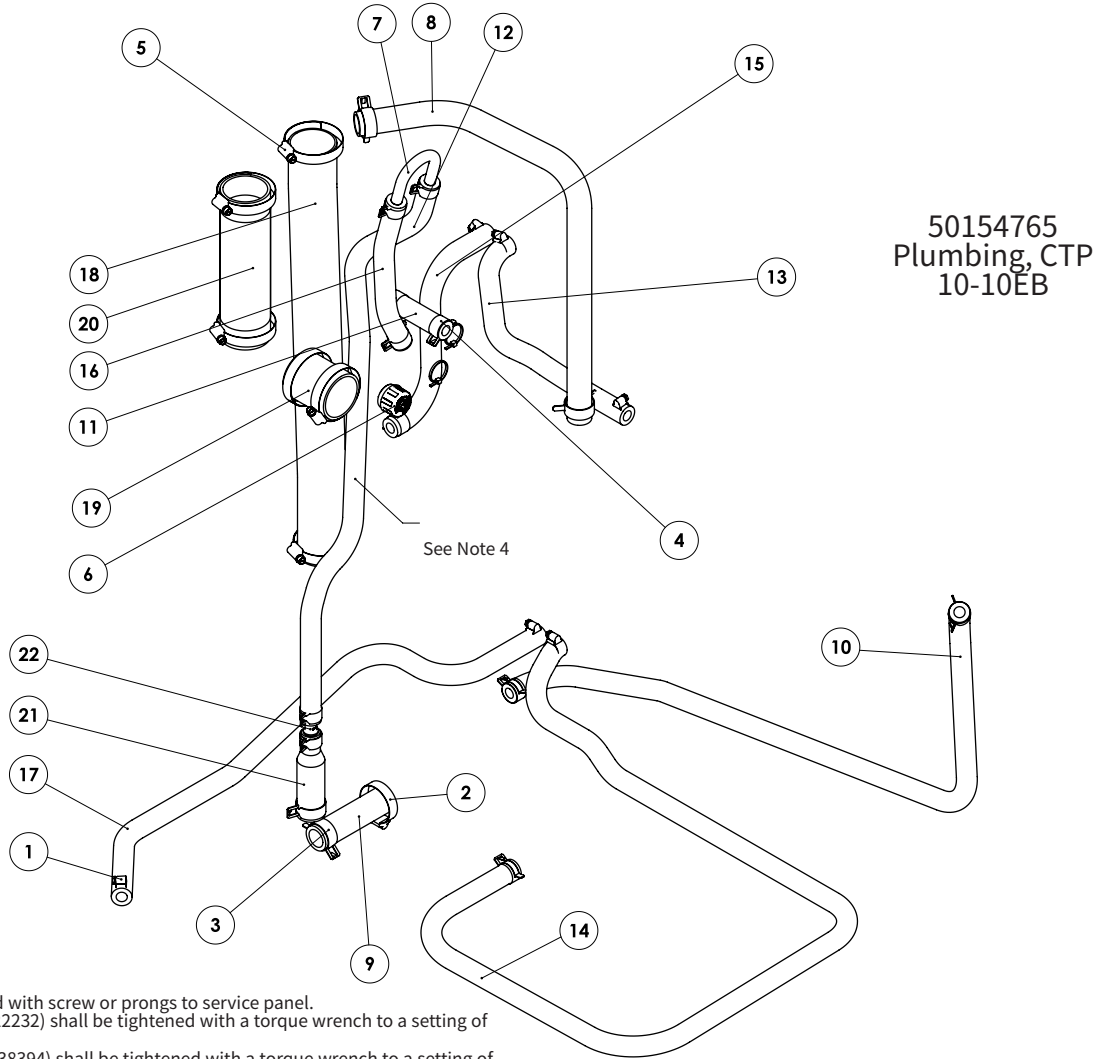


5015475
Plumbing, CTC/CTP
10-10E/G

Item	Part	Description	Qty.
1	5017171	Assembly, Water Manifold	1
2	CM-22794	Clamp, S/S, Range 3/4"-1-3/4"	1
3	CM-29037	Clamp, Hose, 32mm	2
4	CM-29301	Clamp, Hose, 23mm	4
5	CM-38882	Ear Clamp, Pinch, 9mm Band	3
6	CM-39283	T-Bolt Spring Clamp	8
7	FT-36445	Fitting, S/S, U-Shape	1
8	HO-22116	Fitting, Elbow, 90°	1
9	HO-27892	Hose, 0.875" ID, Boiler Pump	1
10	HO-28790	Hose, 0.5" ID, B5	1
11	HO-28790	Hose, 0.5" ID, Injection	1
12	HO-28790	Hose, 0.5" ID, Y3	1
13	HO-28790	Hose, 0.5" ID, Y4_02	1

Item	Part	Description	Qty.
14	HO-28790	Hose, 0.5" ID, Y5	1
15	HO-28790	Hose, 0.5" ID, Y2	1
16	HO-28790	Hose, 0.5" ID, Y1, Loop	1
17	HO-28790	Hose, 0.5" ID, Y4	1
18	HO-35091	Hose, Offset, 2" OD Tube	1
19	HO-35321	Hose, 2" ID, Condenser Exhaust	1
20	HO-37289	Hose, 50mm ID, Browning Vent Horizontal	1
21	HO-37289	Hose, 50mm ID, Upper Browning Vent	1
22	PB-29289	Reducer, 7/8" x 1/2"	1
23	PB-29489	Coupler, 1/2" To 1/2"	1
24	TI-3808	Tie Wire, 8" (140mm), Natural	8
25	TU-36666	Tube, Coupling	1

10-10 ELECTRIC WITH BOILER PLUMBING PRIOR TO 06/17

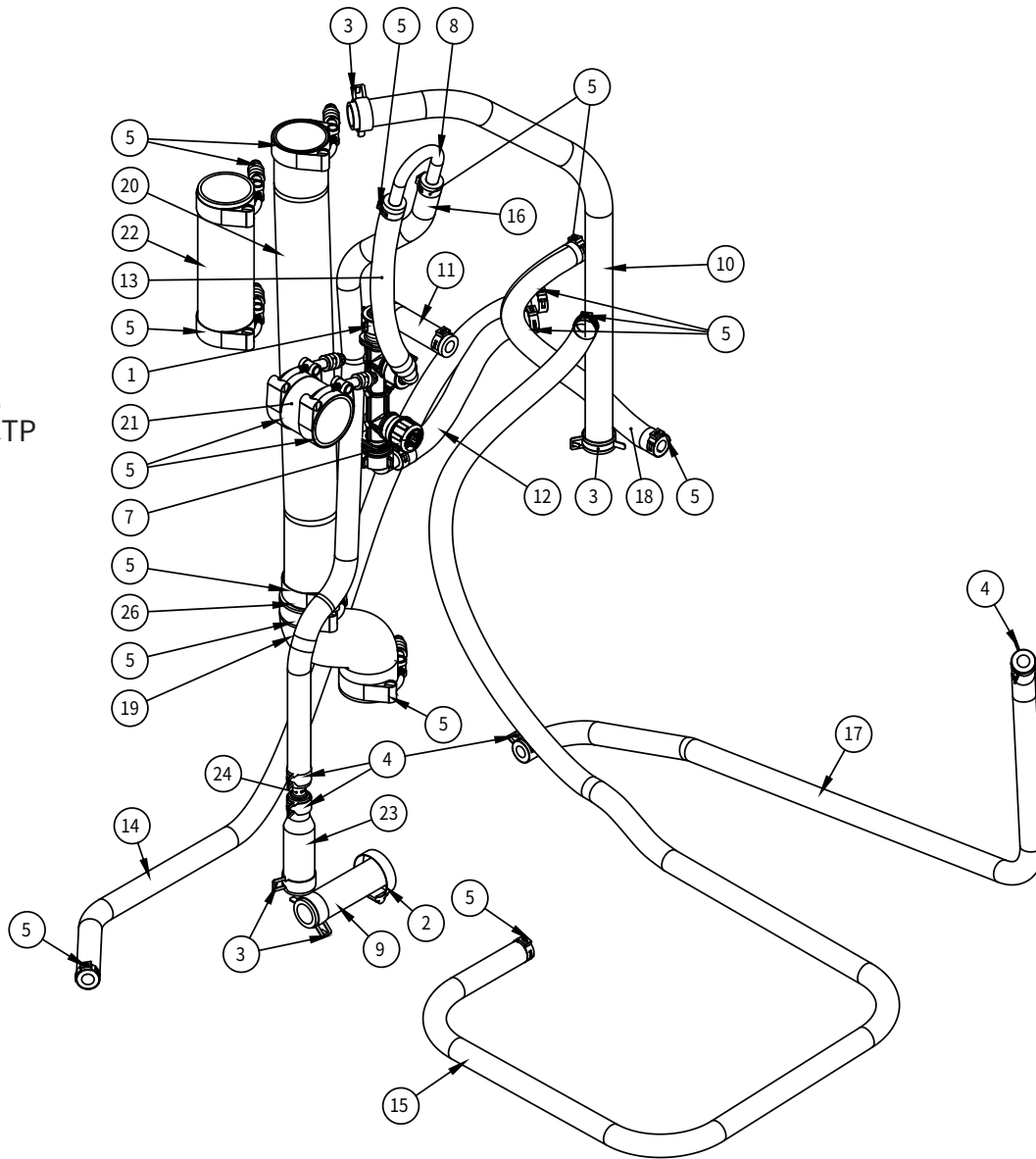


- NOTES:
1. All clamps to be oriented with screw or prongs to service panel.
 2. Worm gear clamps (CL-22232) shall be tightened with a torque wrench to a setting of 7 in-lbs.
 3. Worm gear clamps (CM-38394) shall be tightened with a torque wrench to a setting of 35 in-lbs on HO-37289.
 4. Y4 shall be tied to condensation vent stack with four (4) TI-3808 (not shown).

Item	Part	Description 1	Description 2	Qty.	Item	Part	Description 1	Description 2	Qty.
1	CM-22794	Clamp, S/S, Range 3/4"-1-3/4"		1	13	HO-28790_67707_Y1BOILER	Hose, 0.5" ID, Y1 Boiler	350mm	1
2	CM-29037	Clamp, Hose, 32mm		4	14	HO-28790_67707_Y2	Hose, 0.5" ID, Y2	1725mm	1
3	CM-29301	Clamp, Hose, 23mm	Rotor Clip CTB-23 or Equivalent	10	15	HO-28790_67707_Y3	Hose, 0.5" ID, Y3	330mm	1
4	CM-38882	Ear Clamp, Pinch, 9mm Band	Size Range 19.4 - 22.6mm ID	7	16	HO-28790_67707_Y4_02	Hose, 0.5" ID, Y4_02	245mm	1
5	CM-38886	Ear Clamp, Pinch, 7mm Band	Size Range 63.3-66.5mm ID	6	17	HO-28790_67707_Y5	Hose, 0.5" ID, Y5	760mm	1
6	CP-35253	G 3/4-14 BSP Cap		1	18	HO-35321_67707_CONDEX H	Hose, 2" ID, Cond Exhaust	560mm	1
7	FT-36445	Fitting, S/S, U-Shape	0.5" OD	1	19	HO-37289_67707_UPPER VENT HORIZ	Hose, 50mm ID, Upper Vent Horizontal	76mm	1
8	HO-27892_67707_BOILERPUMP	Hose, 0.875" ID, Boiler Pump	640mm	1	20	HO-37289_67708_UPPER Vertical Vent	Hose, 50mm ID, Vertical Vent	203mm	1
9	HO-27892_PUMPCOND	Hose, 0.875" ID, Pump/Cond	108mm	1	21	PB-29289	Reducer, 7/8" x 1/2"		1
10	HO-28790_67495_B5	Hose, 0.5" ID, B5	970mm	1	22	PB-29489	Coupler, 1/2" To 1/2", Straight Barb, Natural Nylon		1
11	HO-28790_67666_04	Hose, 0.5" ID, Injection	90mm	1	23	TI-3807	Tie Wire, 4", Natural Color	With Routing Points	6
12	HO-28790_67707-Y4	Hose, 0.5" ID, Y4	765mm	1					

10-10 ELECTRIC WITH BOILER PLUMBING AFTER 06/17

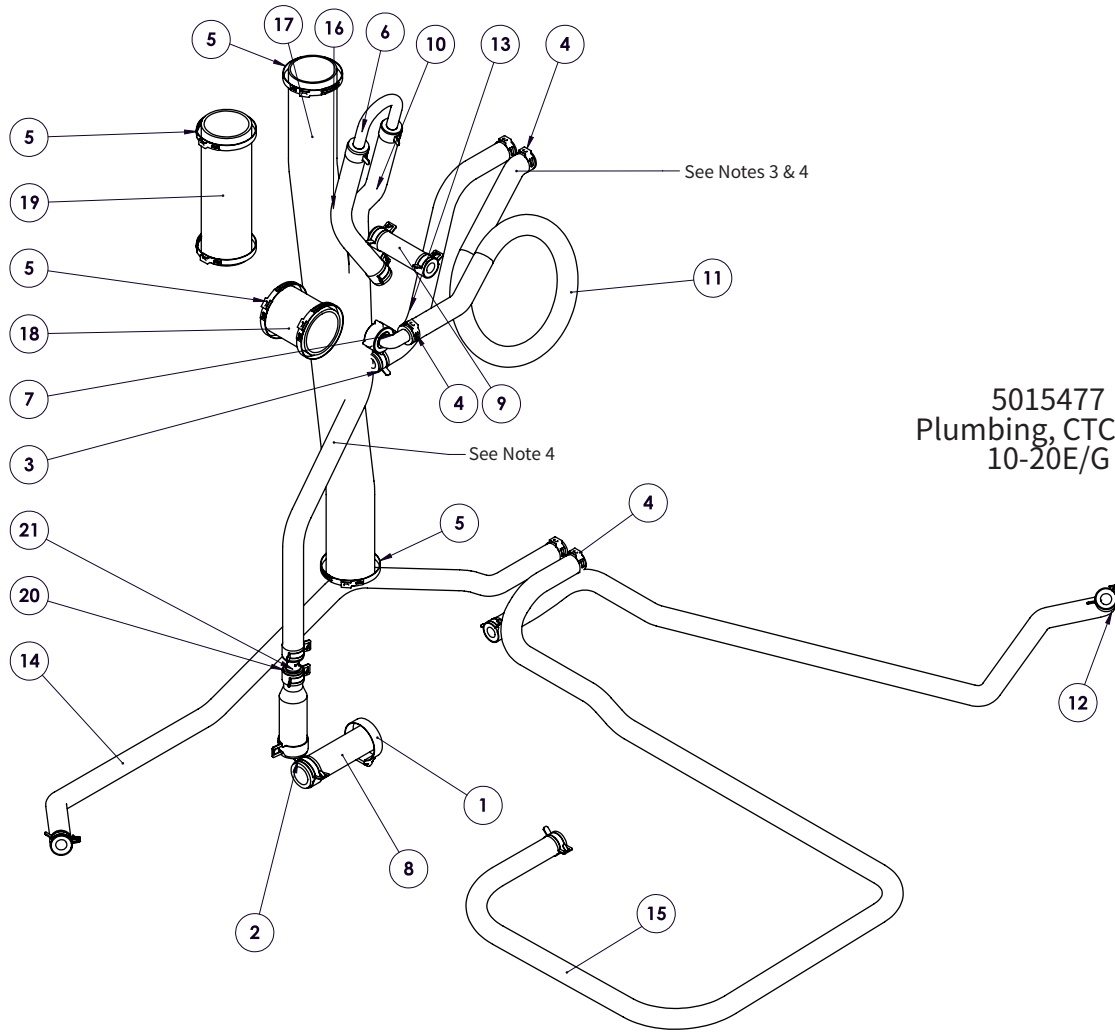
50154765
Plumbing, CTP
10-10EB



Item	Part	Description	Qty.
1	5017171	Assembly, Water Manifold	1
2	CM-22794	Clamp, S/S, Range 3/4"-1-3/4"	1
3	CM-29037	Clamp, Hose, 32mm	4
4	CM-29301	Clamp, Hose, 23mm	4
5	CM-38882	Ear Clamp, Pinch, 9mm Band	3
6	CM-39283	T-Bolt Spring Clamp	8
7	CP-35253	G 3/4-14 BSP Cap	1
8	FT-36445	Fitting, S/S, U-Shape	1
9	HO-27892	Hose, 0.875" ID, Pump/Cond	1
10	HO-27892	Hose, 0.875" ID, Boiler Pump	1
11	HO-28790	Hose, 0.5" ID, Injection	1
12	HO-28790	Hose, 0.5" ID, Y3	1
13	HO-28790	Hose, 0.5" ID, 04_02	1

Item	Part	Description	Qty.
14	HO-28790	Hose, 0.5" ID, Y5	1
15	HO-28790	Hose, 0.5" ID, Y2	1
16	HO-28790	Hose, 0.5" ID, Y4	1
17	HO-28790	Hose, 0.5" ID, B5	1
18	HO-28790	Hose, 0.5" ID, Y1 Boiler	1
19	HO-35091	Hose, Offset, 2" OD Tube	1
20	HO-35321	Hose, 2" ID, Condenser Exhaust	1
21	HO-37289	Hose, 50mm ID, Browning Vent Horizontal	1
22	HO-37289	Hose, 50mm ID, Upper Browning Vent	1
23	PB-29289	Reducer, 7/8" x 1/2"	1
24	PB-29489	Coupler, 1/2" To 1/2"	1
25	TI-3808	Tie Wire, 8" (140mm), Natural	6
26	TU-36666	Tube, Coupling	1

10-20 ELECTRIC/GAS PLUMBING PRIOR TO 06/17

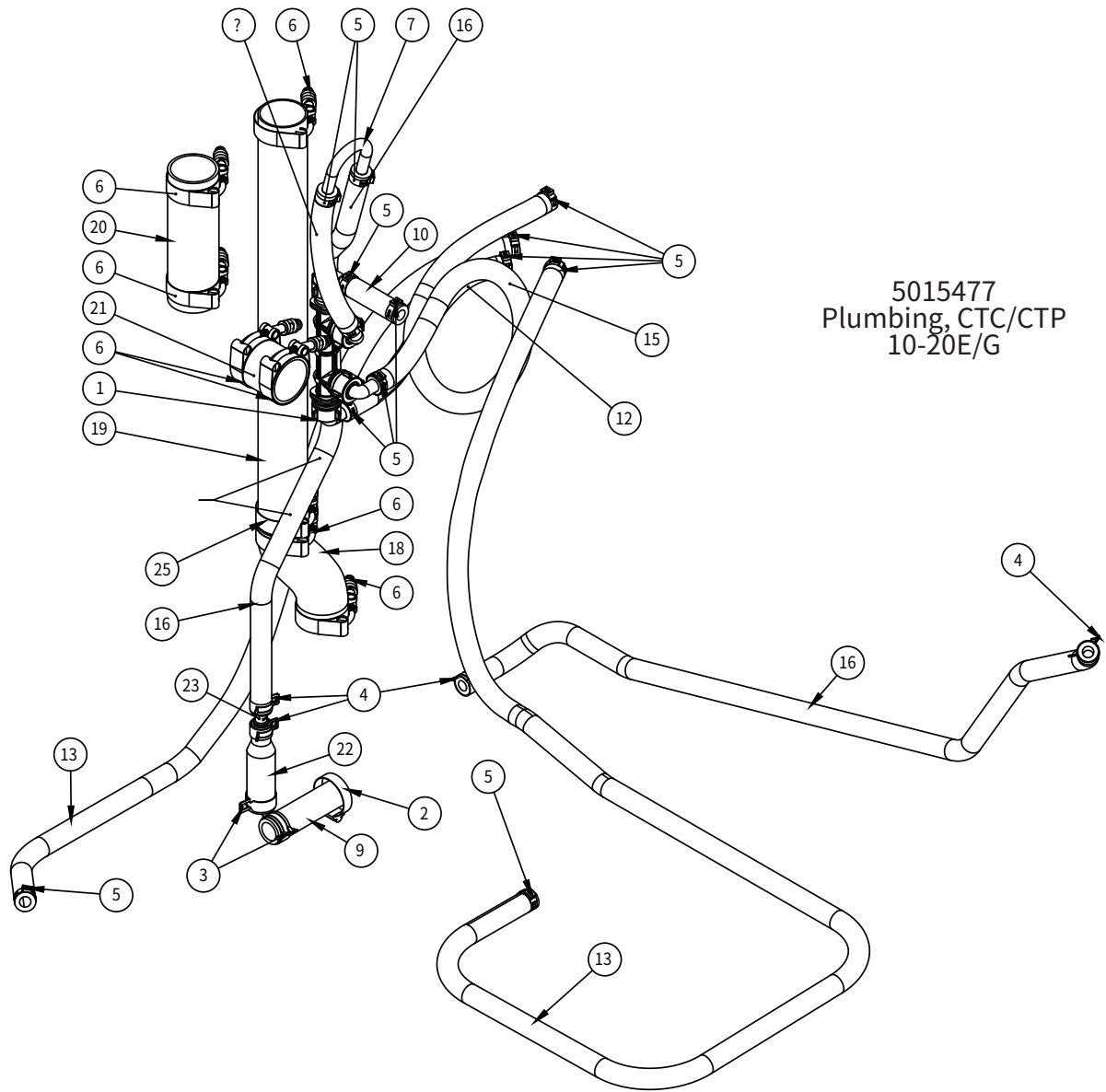


- NOTES:
1. All clamps to be oriented with screw or prongs to service panel.
 2. Y4 shall be tied to condensation vent stack with four (4) TI-3808 (not shown).
 3. Y3/Y1 shall be tied together with two (2) TI-3808 (not shown).
 4. Y1 shall have a six (6) inch ID loop tied with two (2) TI-3808 (not shown).

Item	Part	Description 1	Description 2	Qty.
1	CM-22794	Clamp, S/S, Range 3/4"-1-3/4"		1
2	CM-29037	Clamp, Hose, 32mm		2
3	CM-29301	Clamp, Hose, 23mm	Rotor Clip CTB-23 or Equivalent	12
4	CM-38882	Ear Clamp, Pinch, 9mm Band	Size Range 19.4 - 22.6mm ID	5
5	CM-38886	Ear Clamp, Pinch, 7mm Band	Size Range 63.3-66.5mm ID	6
6	FT-36445	Fitting, S/S, U-Shape	0.5" OD	1
7	HO-22116	Fitting, Elbow, 90°		1
8	HO-27892_PUMPCOND	Hose, 0.875" ID, Pump/Cond	108mm	1
9	HO-28790_67666_04	Hose, 0.5" ID, injection	90mm	1
10	HO-28790_67708-Y4	Hose, 0.5" ID, Y4	780mm	1
11	HO-28790_67708_04_LOOP	Hose, 0.5" ID, Y1 Injection	755mm	1

Item	Part	Description 1	Description 2	Qty.
12	HO-28790_67708_05	Hose, 0.5" ID, B5	1100mm	1
13	HO-28790_67708_06	0.5" ID Hose, Y3	432mm	1
14	HO-28790_67708_SHWRREEL	Hose, 0.5" ID, Shower	890mm	1
15	HO-28790_67708_Y2	Hose, 0.5" ID, Y2	1705mm	1
16	HO-28790_67708_Y4_02	Hose, 0.5" ID, Y4_02	225mm	1
17	HO-35321_67708_01	Hose, 2" ID, Cond Exhaust	712mm	1
18	HO-37289_67708_UPPER VENT HORIZ	Hose, 50mm ID, Upper Vent Horizontal	76mm	1
19	HO-37289_67708_UPPER VENT VERT	Hose, 50mm ID, Vertical Vent	203mm	1
20	PB-29289	Reducer, 7/8" x 1/2"		1
21	PB-29489	Coupler, 1/2" To 1/2"	Straight Barb, Natural Nylon	1
22	TI-3808	Tie Wire, 8" (140mm), Natural	With Routing Points	8

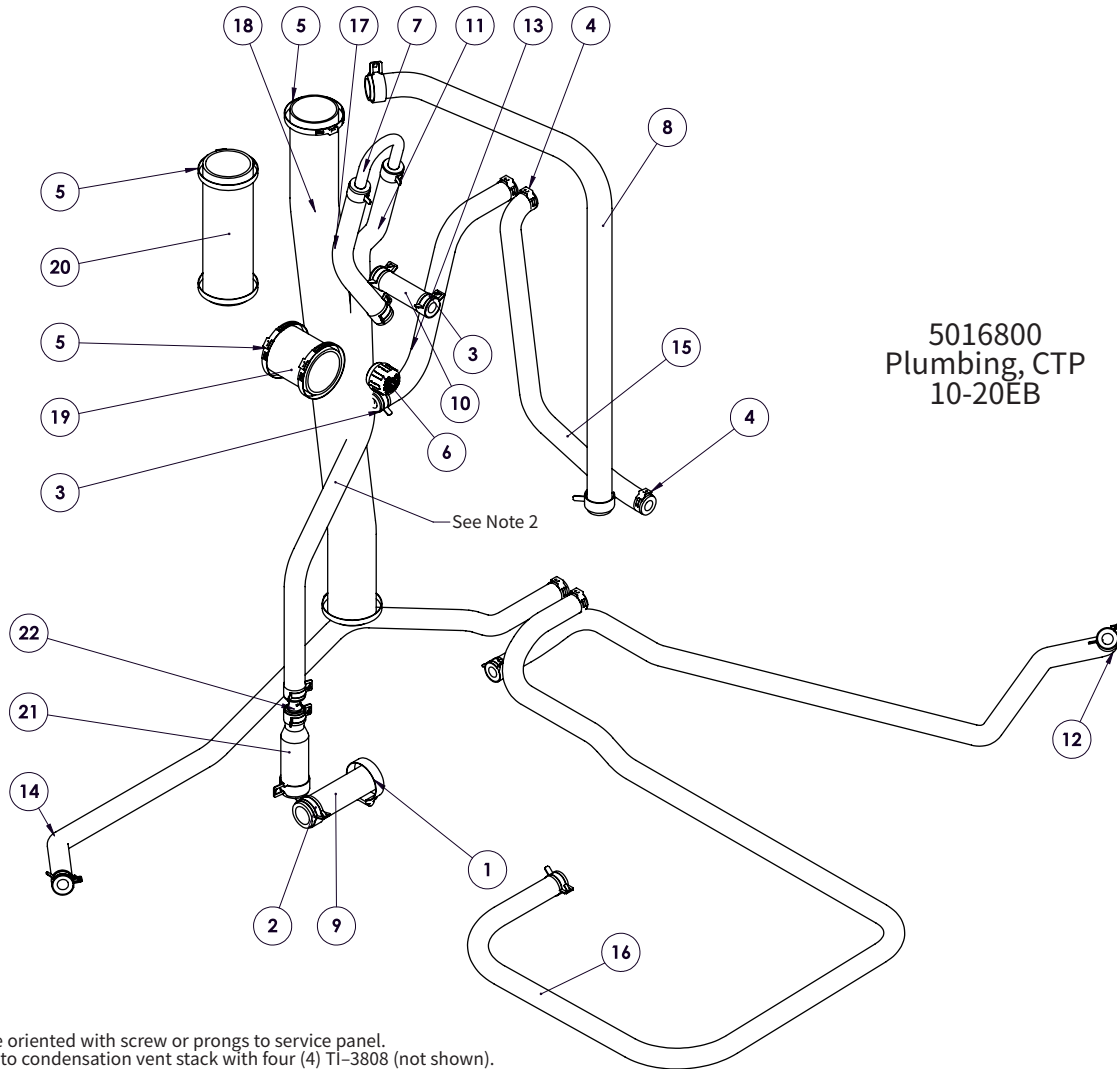
10-20 ELECTRIC/GAS PLUMBING AFTER 06/17



Item	Part	Description	Qty.
1	5017171	Assembly, Water Manifold	1
2	CM-22794	Clamp, S/S, Range 3/4"-1-3/4"	1
3	CM-29037	Clamp, Hose, 32mm	2
4	CM-29301	Clamp, Hose, 23mm	4
5	CM-38882	Ear Clamp, Pinch, 9mm Band	4
6	CM-39283	T-Bolt Spring Clamp	8
7	FT-36445	Fitting, S/S, U-Shape	1
8	HO-22116	Fitting, Elbow, 90°	1
9	HO-27892	Hose, 0.875" ID, Boiler Pump	1
10	HO-28790	Hose, 0.5" ID, Injection	1
11	HO-28790	Hose, 0.5" ID, Y4_02	1
12	HO-28790	Hose, 0.5" ID, Y3	1
13	HO-28790	Hose, 0.5" ID, Y2	1

Item	Part	Description	Qty.
14	HO-28790	Hose, 0.5" ID, Shower	1
15	HO-28790	Hose, 0.5" ID, Y1, Loop	1
16	HO-28790	Hose, 0.5" ID, B5	1
17	HO-28790	Hose, 0.5" ID, Y4	1
18	HO-35091	Hose, Offset, 2" OD Tube	1
19	HO-35321	Hose, 2" ID, Condenser Exhaust	1
20	HO-37289	Hose, 50mm ID, Upper Browning Vent	1
21	HO-37289	Hose, 50mm ID, Browning Vent Horizontal	1
22	PB-29289	Reducer, 7/8" x 1/2"	1
23	PB-29489	Coupler, 1/2" To 1/2"	1
24	TI-3808	Tie Wire, 8" (140mm), Natural	8
25	TU-36666	Tube, Coupling	1

10-20 ELECTRIC WITH BOILER PLUMBING PRIOR TO 06/17



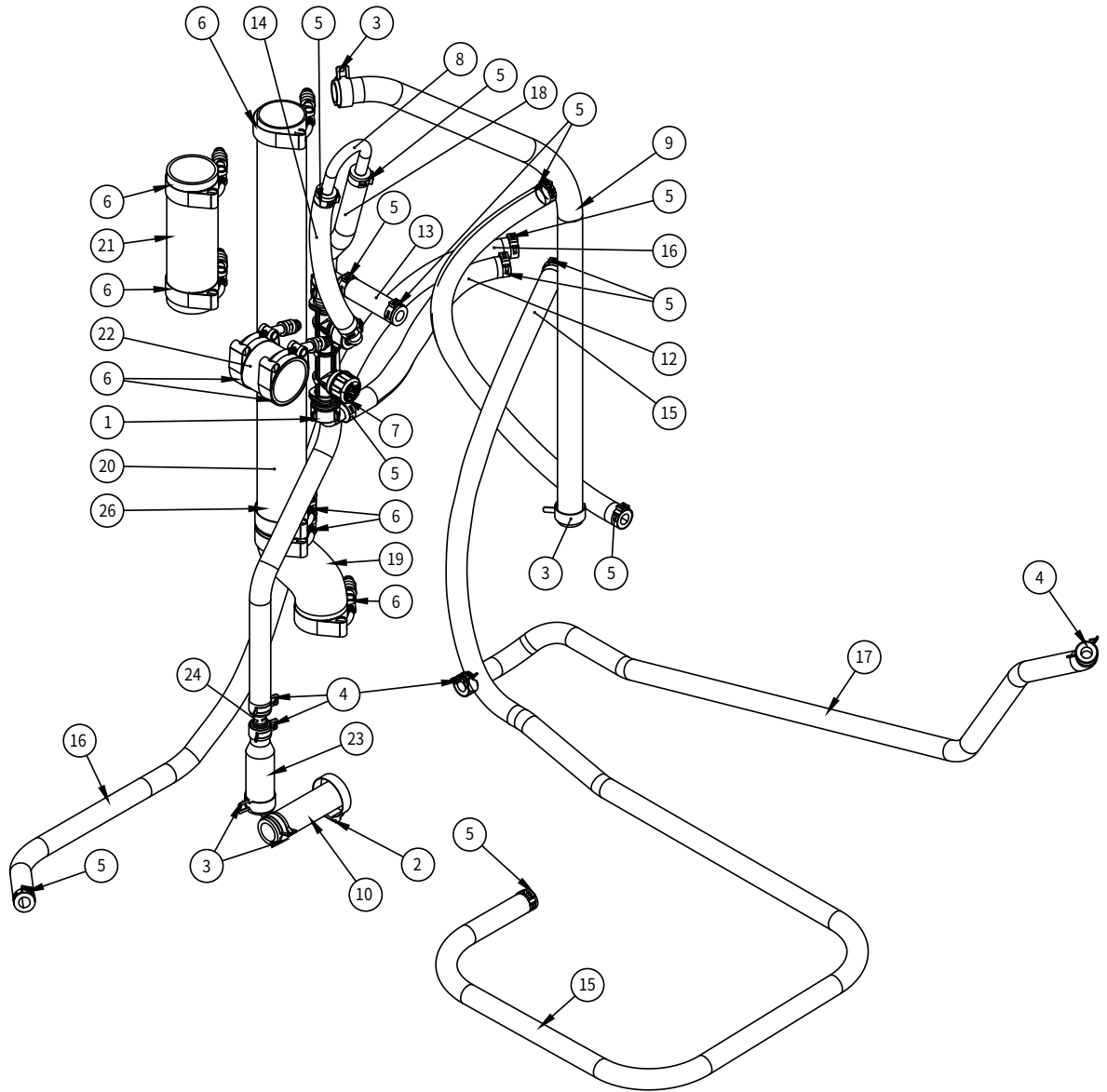
5016800
Plumbing, CTP
10-20EB

- NOTES:
 1. All clamps to be oriented with screw or prongs to service panel.
 2. Y4 shall be tied to condensation vent stack with four (4) TI-3808 (not shown).

Item	Part	Description 1	Description 2	Qty.	Item	Part	Description 1	Description 2	Qty.
1	CM-22794	Clamp, S/S, Range 3/4"-1-3/4"		1	13	HO-28790_67708_06	0.5" ID Hose, Y3	432mm	1
2	CM-29037	Clamp, Hose, 32mm		4	14	HO-28790_67708_SHWRREEL	Hose, 0.5" ID, Shower	890mm	1
3	CM-29301	Clamp, Hose, 23mm	Rotor Clip CTB-23 or Equivalent	12	15	HO-28790_67708_Y1BOILER	Hose, 0.5" ID, Y1 Boiler	502mm	1
4	CM-38882	Ear Clamp, Pinch, 9mm Band	Size Range 19.4 - 22.6mm ID	5	16	HO-28790_67708_Y2	Hose, 0.5" ID, Y2	1705mm	1
5	CM-38886	Ear Clamp, Pinch, 7mm Band	Size Range 63.3-66.5mm ID	6	17	HO-28790_67708_Y4_02	Hose, 0.5" ID, Y4_02	225mm	1
6	CP-35253	G 3/4-14 BSP Cap	-	1	18	HO-35321_67708_01	Hose, 2" ID, Cond Exhaust	712mm	1
7	FT-36445	Fitting, S/S, U-Shape	0.5" OD	1	19	HO-37289_67708_UPPER VENT HORIZ	Hose, 50mm ID, Upper Vent Horizontal	76mm	1
8	HO-27892_67708_BOILERPUMP	Hose, 0.875" ID, Boiler Pump	810mm	1	20	HO-37289_67708_UPPER VENT VERT	Hose, 50mm ID, Vertical Vent	203mm	1
9	HO-27892_PUMPCOND	Hose, 0.875" ID, Pump/Cond	108mm	1	21	PB-29289	Reducer, 7/8" x 1/2"		1
10	HO-28790_67666_04	Hose, 0.5" ID, Injection	90mm	1	22	PB-29489	Coupler, 1/2" To 1/2"	Straight Barb, Natural Nylon	1
11	HO-28790_67708-Y4	Hose, 0.5" ID, Y4	780mm	1	23	TI-3808	Tie Wire, 8" (140mm), Natural	With Routing Points	5
12	HO-28790_67708_05	Hose, 0.5" ID, B5	1100mm	1					

10-20 ELECTRIC WITH BOILER PLUMBING AFTER 06/17

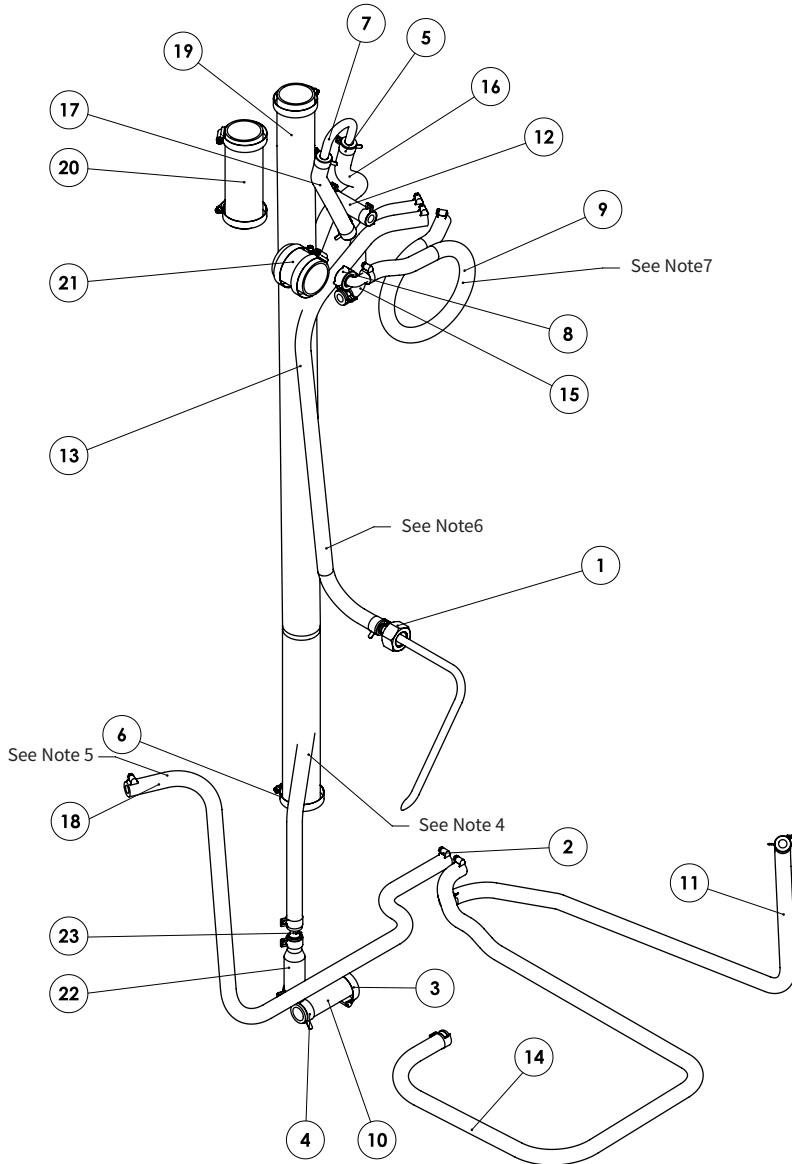
5016800
Plumbing, CTP
10-20EB



Item	Part	Description	Qty.
1	5017171	Assembly, Water Manifold	1
2	CM-22794	Clamp, S/S, Range 3/4"-1-3/4"	1
3	CM-29037	Clamp, Hose, 32mm	4
4	CM-29301	Clamp, Hose, 23mm	4
5	CM-38882	Ear Clamp, Pinch, 9mm Band	3
6	CM-39283	T-Bolt Spring Clamp	8
7	CP-35253	G 3/4-14 BSP Cap	1
8	FT-36445	Fitting, S/S, U-Shape	1
9	HO-27892	Hose, 0.875" ID, Boiler Pump	1
10	HO-27892	Hose, 0.875" ID, Pump/Cond	1
11	HO-28790	Hose, 0.5" ID, Y1 Boiler	1
12	HO-28790	Hose, 0.5" ID, Y3	1
13	HO-28790	Hose, 0.5" ID, Injection	1

Item	Part	Description	Qty.
14	HO-28790	Hose, 0.5" ID, Y4_02	1
15	HO-28790	Hose, 0.5" ID, Y2	1
16	HO-28790	Hose, 0.5" ID, Shower	1
17	HO-28790	Hose, 0.5" ID, B5	1
18	HO-28790	Hose, 0.5" ID, Y4	1
19	HO-35091	Hose, Offset, 2" OD Tube	1
20	HO-35321	Hose, 2" ID, Condenser Exhaust	1
21	HO-37289	Hose, 50mm ID, Upper Browning Vent	1
22	HO-37289	Hose, 50mm ID, Browning Vent Horizontal	1
23	PB-29289	Reducer, 7/8" x 1/2"	1
24	PB-29489	Coupler, 1/2" To 1/2"	1
25	TI-3808	Tie Wire, 8" (140mm), Natural	5
26	TU-36666	Tube, Coupling	1

20-10 ELECTRIC/GAS PLUMBING PRIOR TO 06/17



5016801 Plumbing, CTC/CTP 20-10E/G

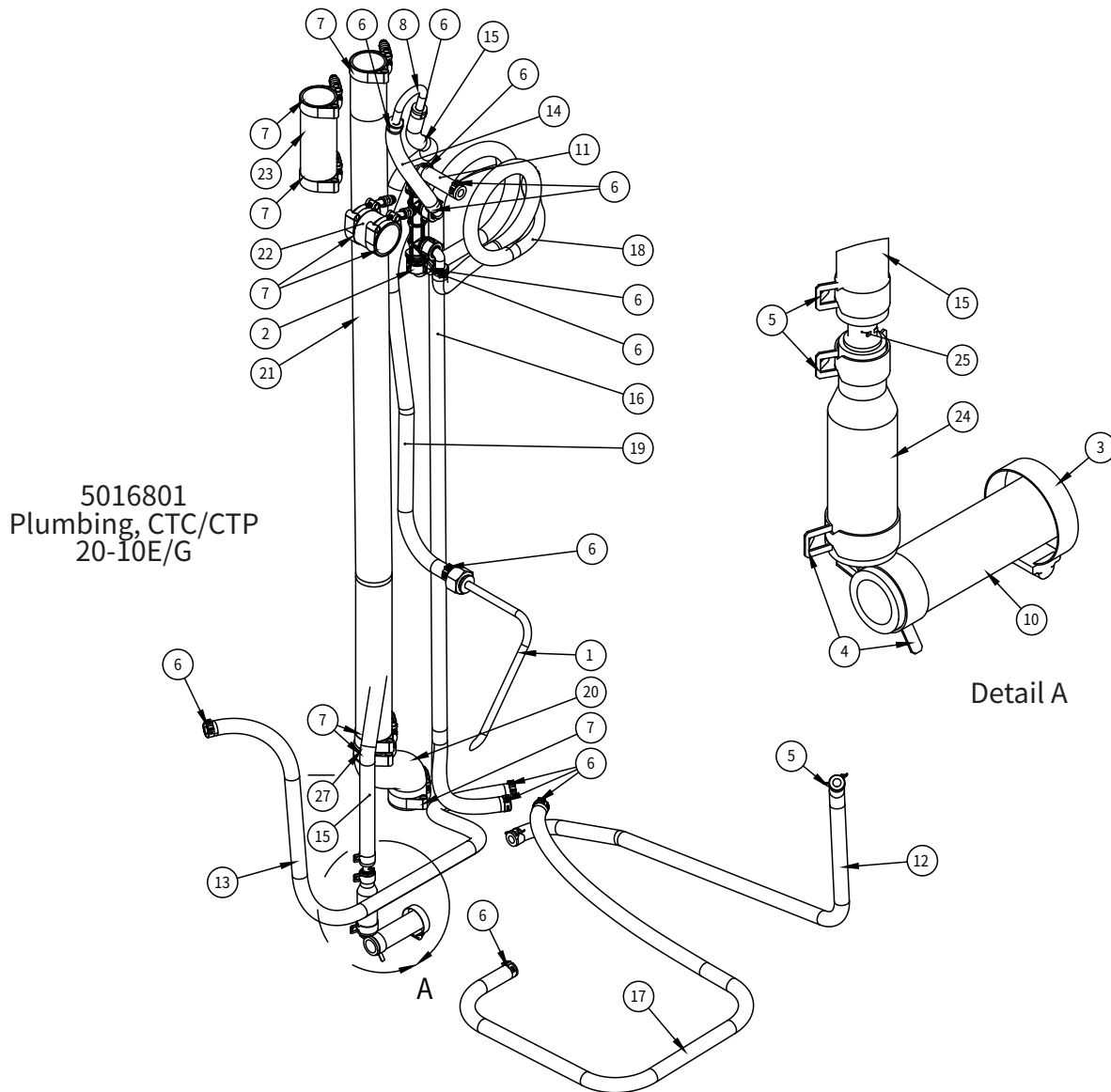
NOTES:

1. All clamps to be oriented with screw or prongs to service panel.
2. Worm gear clamps (CL-22232) shall be tightened with a torque wrench to a setting of 7 in-lbs.
3. Worm gear clamps (CM-38394) shall be tightened with a torque wrench to a setting of 35 in-lbs on HO-37289.
4. Use Four (4) TI-3808 (double-linked ties in two places) to fasten Y4 hose to condensation vent stack hose to prevent contact with motor.
5. Use one (1) TI-3808 (single in one place) to fasten Y5 hose to electrical chassis.
6. Use Four (4) TI-3808 (double-linked ties in two places) to fasten lower Y1 hose to Condensation vent stack hose to prevent interference with motor Blower/electrical Elements.
7. Y1 shall have a 6" ID loop tied with two (2) TI-3808 (not shown).

Item	Part	Description 1	Description 2	Qty.
1	5015647	Injection Tube Assembly	7-20,10-10, 10-20,20-10,20-20	1
2	CM-22794	Clamp, S/S, Range 3/4"-1-3/4"		1
3	CM-29037	Clamp, Hose, 32mm		2
4	CM-29301	Clamp, Hose, 23mm	Rotor Clip CTB-23 or Equivalent	11
5	CM-38882	Ear Clamp, Pinch, 9mm Band	Size Range 19.4 - 22.6mm ID	8
6	CM-38886	Ear Clamp, Pinch, 7mm Band	Size Range 63.3-66.5mm ID	6
7	FT-36445	Fitting, S/S, U-Shape	0.5" OD	1
8	HO-22116	Fitting, Elbow, 90°		1
9	HO-26790_68134_Y1_LOOP	Hose, 0.5" ID, Y1	703mm	1
10	HO-27892_PUMPCOND	Hose, 0.875" ID, Pump/Cond	108mm	1
11	HO-28790_67495_B5	Hose, 0.5" ID, B5	970mm	1
12	HO-28790_67666_04	hose, 0.5" ID, Injection	90mm	1

Item	Part	Description 1	Description 2	Qty.
13	HO-28790_68134_LWRINJ	Hose, 0.5" ID, Y1B	36"	1
14	HO-28790_68134_Y2	Hose, 0.5" ID, Y2	62"	1
15	HO-28790_68134_Y3	Hose, 0.5", Y3	10"	1
16	HO-28790_68134_Y4	Hose, 0.5" ID, Y4	60"	1
17	HO-28790_68134_Y4_02	Hose, 0.5" ID, Y4_02	8"	1
18	HO-28790_68134_Y5	Hose, 0.5" ID, Y5	45"	1
19	HO-35321_68134_CONDEXH	Hose, 2" ID, Condexh	51"	1
20	HO-37289_67781_UPPER VENT VERT	Hose, 50mm ID, Valve To Vent	178mm	1
21	HO-37289_68134_UPPER VENT HORIZ	Hose, 50mm ID, Cavity To Vent	64mm	1
22	PB-29289	Reducer, 7/8" x 1/2"		1
23	PB-29489	Coupler, 1/2" To 1/2"	Straight Barb, Natural Nylon	1
24	TI-3807	Tie Wire, 4", Natural Color	With Routing Points	11

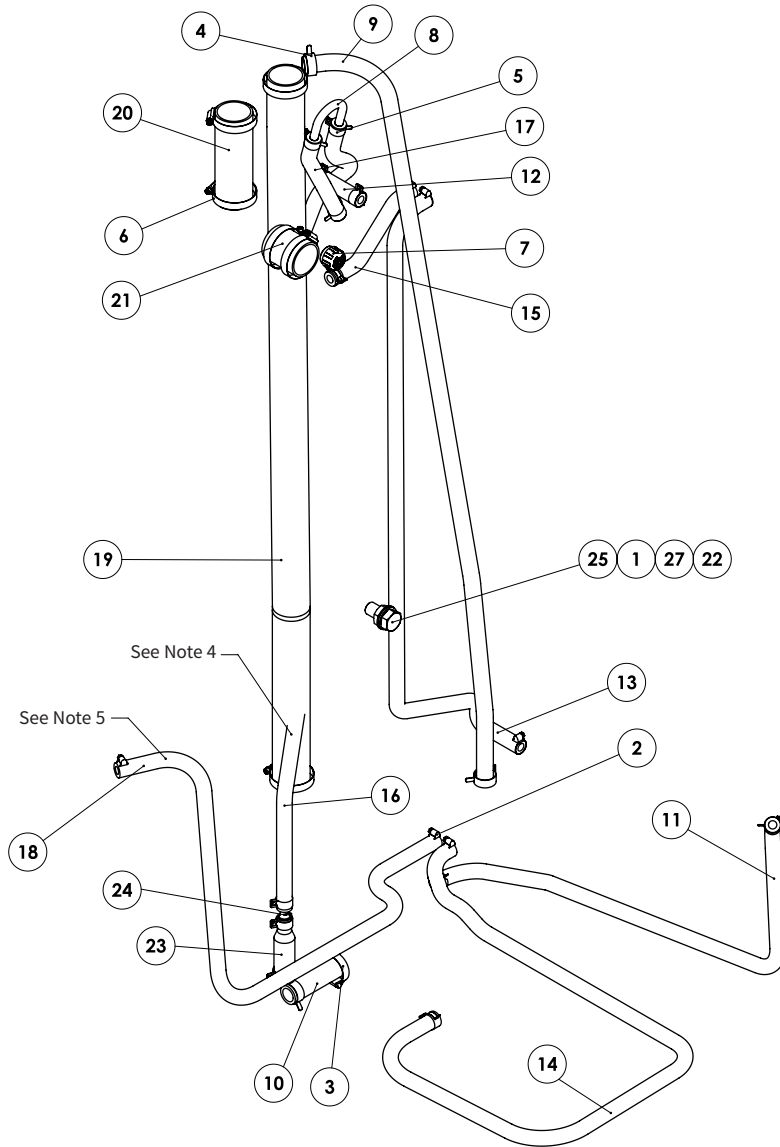
20-10 ELECTRIC/GAS PLUMBING AFTER 06/17



Item	Part	Description	Qty.
1	5015647	Injection Tube Assembly	1
2	5017171	Assembly, Water Manifold	1
3	CM-22794	Clamp, S/S, Range 3/4"-1-3/4"	1
4	CM-29037	Clamp, Hose, 32mm	2
5	CM-29301	Clamp, Hose, 23mm	4
6	CM-38882	Ear Clamp, Pinch, 9mm Band	15
7	CM-39283	T-Bolt Spring Clamp	8
8	FT-36445	Fitting, S/S, U-Shape	1
9	HO-22116	Fitting, Elbow, 90°	1
10	HO-27892	Hose, 0.875" ID, Boiler Pump	1
11	HO-28790	Hose, 0.5" ID, Injection	1
12	HO-28790	Hose, 0.5" ID, Y4_02	1
13	HO-28790	Hose, 0.5" ID, B5	1
14	HO-28790	Hose, 0.5" ID, Y5	1

Item	Part	Description	Qty.
15	HO-28790	Hose, 0.5" ID, Y4_02	1
16	HO-28790	Hose, 0.5" ID, Y1, Y4	1
17	HO-28790	Hose, 0.5" ID, Y3	1
18	HO-28790	Hose, 0.5" ID, Y2	1
19	HO-28790	Hose, 0.5" ID, Y1, Loop	1
20	HO-35091	Hose, Offset, 2" OD Tube	1
21	HO-35321	Hose, 2" ID, Condenser Exhaust	1
22	HO-37289	Hose, 50mm ID, Browning Vent Horizontal	1
23	HO-37289	Hose, 50mm ID, Upper Browning Vent	1
24	PB-29289	Reducer, 7/8" x 1/2"	1
25	PB-29489	Coupler, 1/2" To 1/2"	1
26	TI-3807	Tie Wire, 8" (140mm), Natural	11
27	TU-36666	Tube, Coupling	1

20-10 ELECTRIC WITH BOILER PLUMBING PRIOR TO 06/17



5016802
Plumbing, CTP
20-10EB

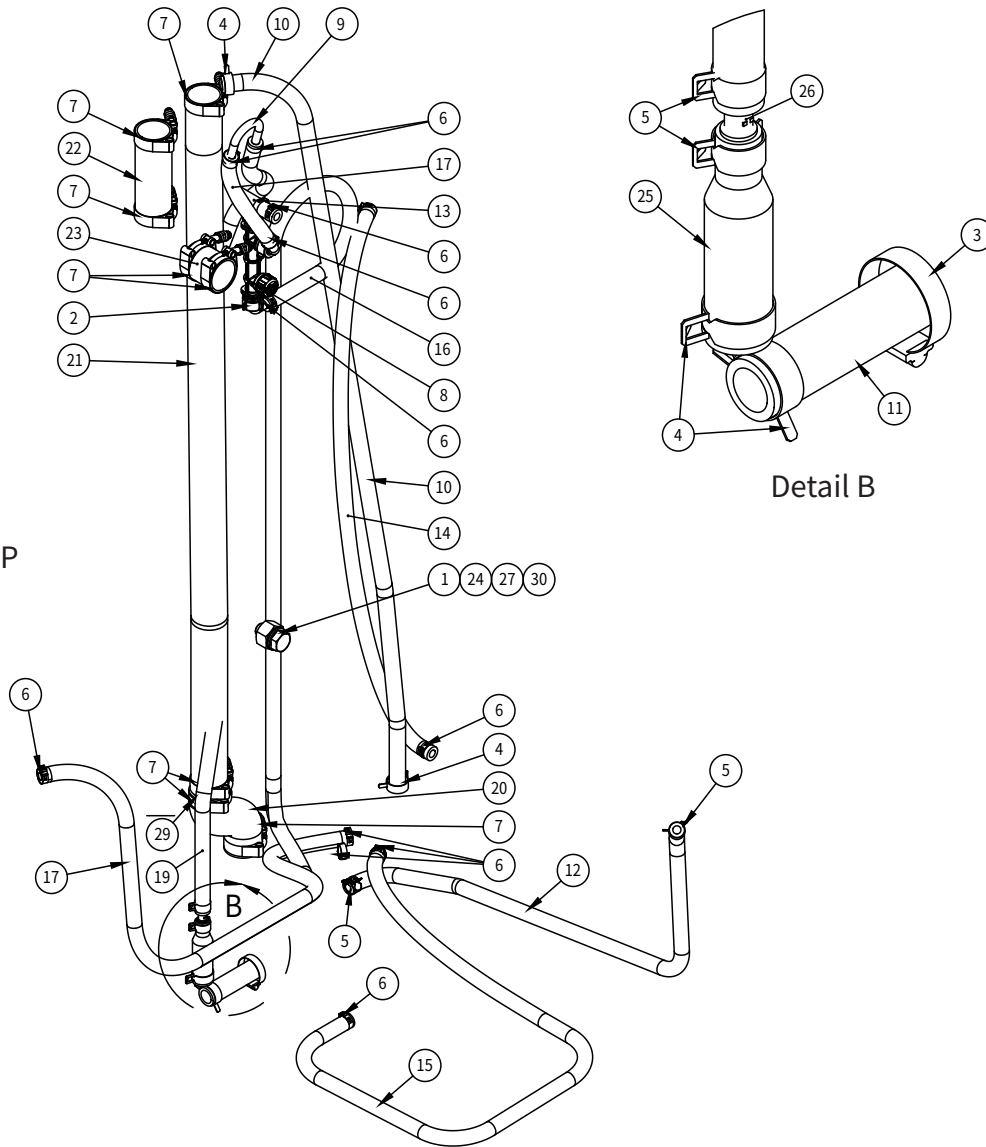
NOTES:

1. All clamps to be oriented with screw or prongs to service panel.
2. Worm gear clamps (CL-22232) shall be tightened with a torque wrench to a setting of 7 in-lbs.
3. Worm gear clamps (CM-38394) shall be tightened with a torque wrench to a setting of 35 in-lbs on HO-37289.
4. Use Four (4) TI-3808 (double-linked ties in two places) to fasten Y4 hose to condensation vent stack hose to prevent contact with motor.
5. Use one (1) TI-3808 (single in one place) to fasten Y5 hose to electrical chassis.

Item	Part	Description 1	Description 2	Qty.	Item	Part	Description 1	Description 2	Qty.
1	1015432	Washer	20-20ESB	1	15	HO-28790_68134_Y3_EB	Hose, 0.5" ID, Y3 EB	8"	1
2	CM-22794	Clamp, S/S, Range 3/4"-1-3/4"		1	16	HO-28790_68134_Y4	Hose, 0.5" ID, Y4	60"	1
3	CM-29037	Clamp, Hose, 32mm		4	17	HO-28790_68134_Y4_02	Hose, 0.5" ID, Y4_02	8"	1
4	CM-29301	Clamp, Hose, 23mm	Rotor Clip CTB-23 or Equivalent	10	18	HO-28790_68134_Y5	Hose, 0.5" ID, Y5	45"	1
5	CM-38882	Ear Clamp, Pinch, 9mm Band	Size Range 19.4 - 22.6mm ID	7	19	HO-35321_68134_CONDEXH	Hose, 2" ID, Condexh	51"	1
6	CM-38886	Ear Clamp, Pinch, 7mm Band	Size Range 63.3-66.5mm ID	6	20	HO-37289_67781_UPPER VENT VERT	Hose, 50mm ID, Valve To Vent	178mm	1
7	CP-35253	G 3/4-14 BSP Cap		1	21	HO-37289_68134_UPPER VENT HORIZ	Hose, 50mm ID, Cavity To Vent	64mm	1
8	FT-36445	Fitting, S/S, U-Shape	0.5" OD	1	22	NU-35951	Nut, M20x2.5 Hjn DIN439B	Hex Jam Nut A2 S/S	1
9	HO-27892_68134_BOILER DRAIN	Hose, 0.875" ID, Boil Drain	59"	1	23	PB-29289	Reducer, 7/8" x 1/2"		1
10	HO-27892_PUMPCOND	Hose, 0.875" ID, Pump/Cond	108mm	1	24	PB-29489	Coupler, 1/2" To 1/2"	Straight Barb, Natural Nylon	1
11	HO-28790_67495_B5	Hose, 0.5" ID, B5	970mm	1	25	SC-36368	Screw, M20 x 2.5 x 40mm Hex	S/S 316 MS	1
12	HO-28790_67666_04	Hose, 0.5" ID, Injection	90mm	1	26	TI-3807	Tie Wire, 4", Natural Color	With Routing Points	5
13	HO-28790_68134_Y1_EB	Hose, 0.5" ID, Y1 EB	48"	1	27	WS-35485	Washer, Conical 1" ID x 1.5"od		1
14	HO-28790_68134_Y2	Hose, 0.5" ID, Y2	62"	1					

20-10 ELECTRIC WITH BOILER PLUMBING AFTER 06/17

5016802
Plumbing, CTP
20-10EB

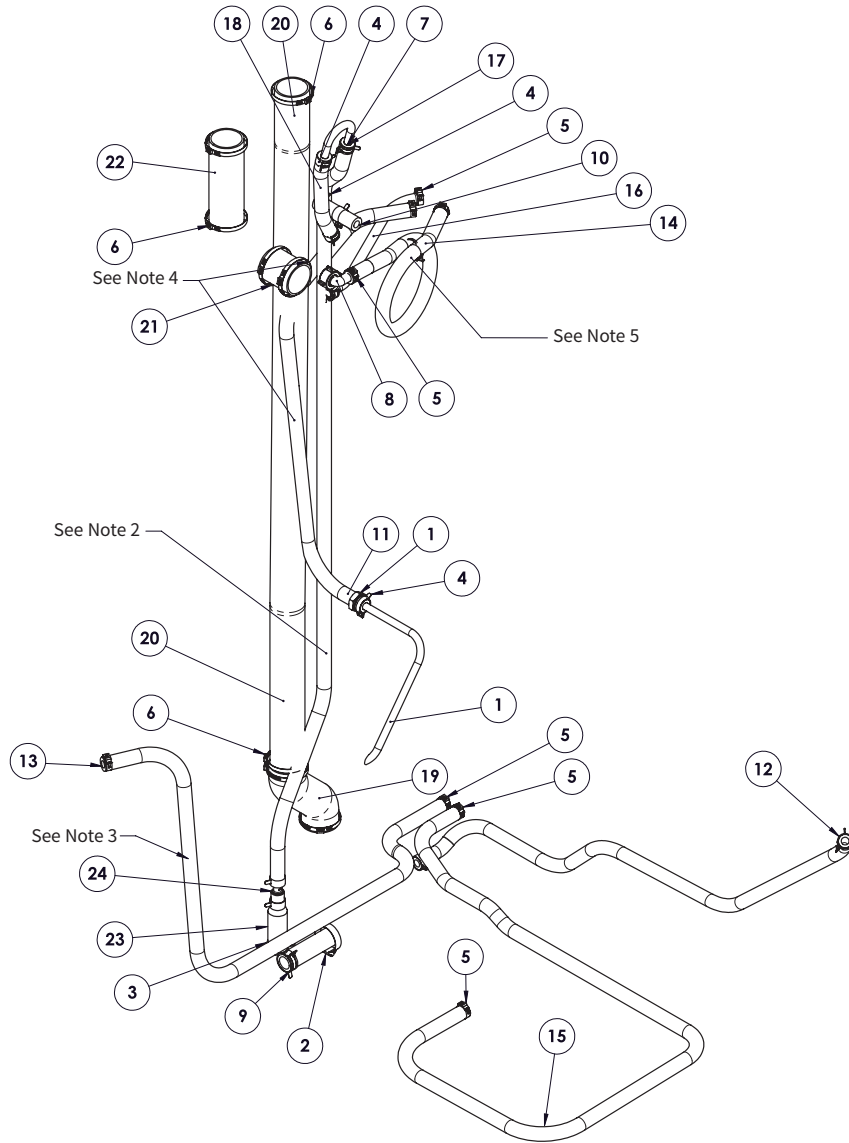


Item	Part	Description	Qty.
1	1015432	Washer	1
2	5017171	Assembly, Water Manifold	1
3	CM-22794	Clamp, S/S, Range 3/4"-1-3/4"	1
4	CM-29037	Clamp, Hose, 32mm	4
5	CM-29301	Clamp, Hose, 23mm	4
6	CM-38882	Ear Clamp, Pinch, 9mm Band	13
7	CM-39283	T-Bolt Spring Clamp	8
8	CP-35253	G 3/4-14 BSP Cap	1
9	FT-36445	Fitting, S/S, U-Shape	1
10	HO-27892	Hose, 0.875" ID, Boiler Pump	1
11	HO-27892	Hose, 0.875" ID, Pump/Cond	1
12	HO-28790	Hose, 0.5" ID, B5	1
13	HO-28790	Hose, 0.5" ID, Injection	1
14	HO-28790	Hose, 0.5" ID, Y1 EB	1
15	HO-28790	Hose, 0.5" ID, Y2	1

Item	Part	Description	Qty.
16	HO-28790	Hose, 0.5" ID, Y3	1
17	HO-28790	Hose, 0.5" ID, Y4_02	1
18	HO-28790	Hose, 0.5" ID, Y5	1
19	HO-28790	Hose, 0.5" ID, Y4	1
20	HO-35091	Hose, Offset, 2" OD Tube	1
21	HO-35321	Hose, 2" ID, Condenser Exhaust	1
22	HO-37289	Hose, 50mm ID, Upper Browning Vent	1
23	HO-37289	Hose, 50mm ID, Browning Vent Horizontal	1
24	hex thin nut chamfered gradeab_iso		
25	PB-29289	Reducer, 7/8" x 1/2"	1
26	PB-29489	Coupler, 1/2" To 1/2"	1
27	SC-36368	Screw, M20 x 2.5 x 40mm Hex	1
28	TI-3808	Tie Wire, 8" (140mm), Natural	5
29	TU-36666	Tube, Coupling	1
30	WS-35485	Washer, Conical, 1" ID x 1.5" OD	1

20-20 ELECTRIC/GAS PLUMBING PRIOR TO 06/17

5016801 Plumbing, CTC/CTP 20-20E/G



NOTES:

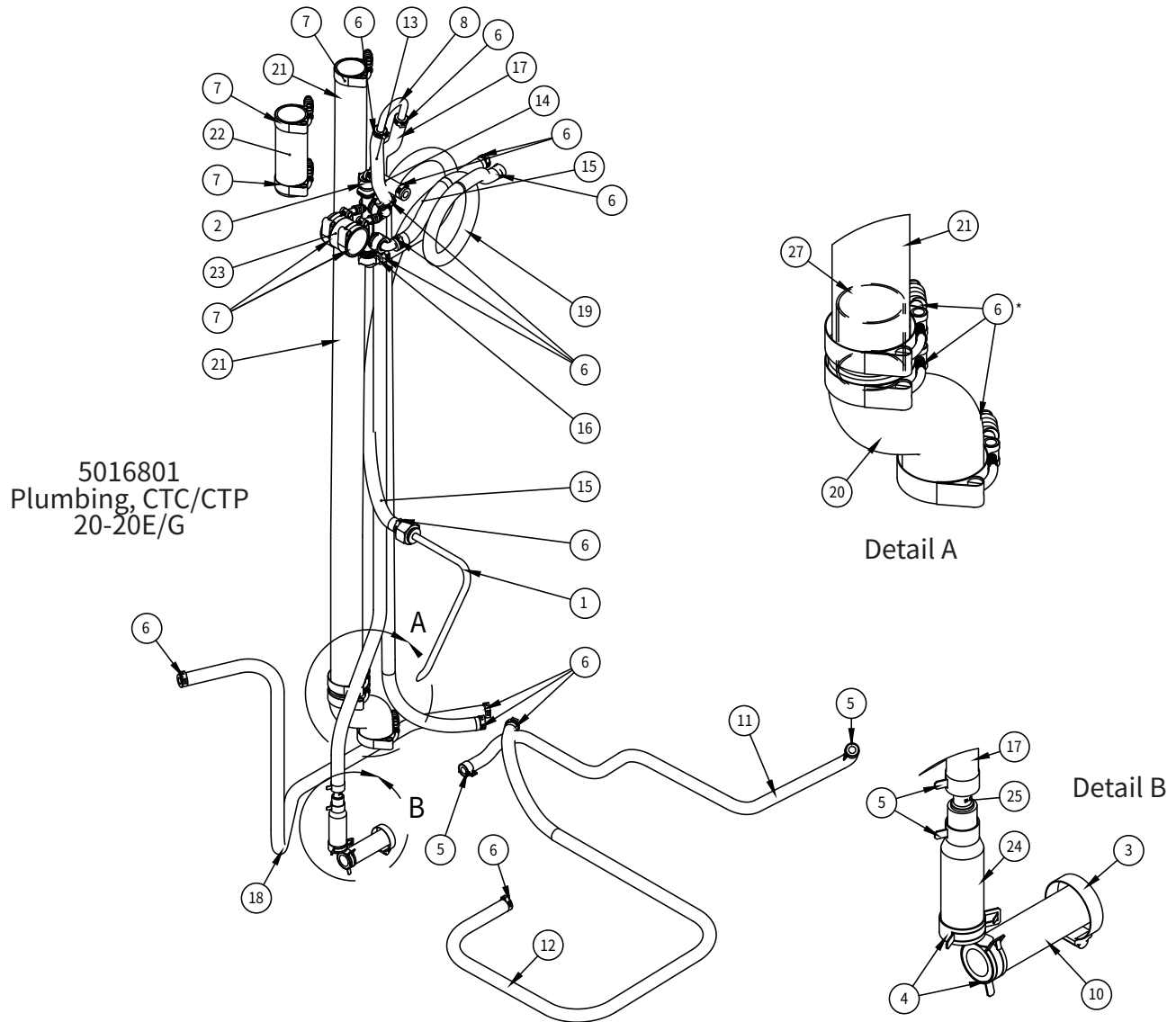
1. All clamps to be oriented with screw or prongs to service panel.
2. Use Four (4) TI-3808 (double-linked ties in two places) to fasten Y4 hose to condensation vent stack hose to prevent contact with motor.
3. Use one (1) TI-3808 (single in one place) to fasten Y5 hose to electrical chassis.
4. Use Four (4) TI-3808 (double-linked ties in two places) to fasten lower Y1 hose to condensation vent stack hose to prevent interference with motor blower/electrical elements.
5. Y1 shall have a 6" ID loop tied with two (2) TI-3808 (not shown).

* Not shown

Item	Part	Description 1	Description 2	Qty.
1	5015647	Injection Tube Assembly	7-20,10-10,10-20,20-10,20-20	1
2	CM-22794	Clamp, S/S, Range 3/4"-1-3/4"		1
3	CM-29037	Clamp, Hose, 32mm		2
4	CM-29301	Clamp, Hose, 23mm	Rotor Clip CTB-23 or Equivalent	11
5	CM-38882	Ear Clamp, Pinch, 9mm Band	Size Range 19.4 - 22.6mm ID	8
6	CM-38886	Ear Clamp, Pinch, 7mm Band	Size Range 63.3-66.5mm ID	8
7	FT-36445	Fitting, S/S, U-Shape	0.5" OD	1
8	HO-22116	Fitting, Elbow, 90°		2
9	HO-27892_PUMPCOND	Hose, 0.875" ID, Pump/Cond	108mm	1
10	HO-28790_67666_04	Hose, 0.5" ID, Injection	90mm	1
11	HO-28790_67781_03	Hose, 0.5" ID, Lower Y1	940mm	1
12	HO-28790_67781_B5	Hose, 0.5" ID, B5	1118mm	1
13	HO-28790_67781_SHWRL2020	Hose, 0.5" ID, Hand Shower	1145mm	1

Item	Part	Description 1	Description 2	Qty.
14	HO-28790_67781_Y1_LOOP	Hose, 0.5" ID, Y1 Injection	747mm	1
15	HO-28790_67781_Y2	Hose, 0.5" ID, Y2	1525mm	1
16	HO-28790_67781_Y3	Hose, 0.5" ID, Y3	294mm	1
17	HO-28790_67781_Y4	Hose, 0.5" ID, Y4	1511mm	1
18	HO-28790_67781_Y4_02	Hose, 0.5" ID, Y4	203mm	1
19	HO-35091	Hose, Offset, 2" OD Tube		1
20	HO-35321_67781_01	Hose, 2" ID Steam, Condensate Tank Exhaust	1448mm	1
21	HO-37289_67781_UPPER VENT HORIZ	Hose, 50mm ID, Cavity To Vent	64mm	1
22	HO-37289_67781_UPPER Vertical Vent	Hose, 50mm ID, Valve To Vent	178mm	1
23	PB-29289	Reducer, 7/8" x 1/2"		1
24	PB-29489	Coupler, 1/2" To 1/2"	Straight Barb, Natural Nylon	1
25	*TI-3808	Tie Wire, 8" (140mm), Natural	With Routing Points	11
26	*TU-36666	Tube, Coupling	2" OD x 2.375	1

20-20 ELECTRIC/GAS PLUMBING AFTER 06/17

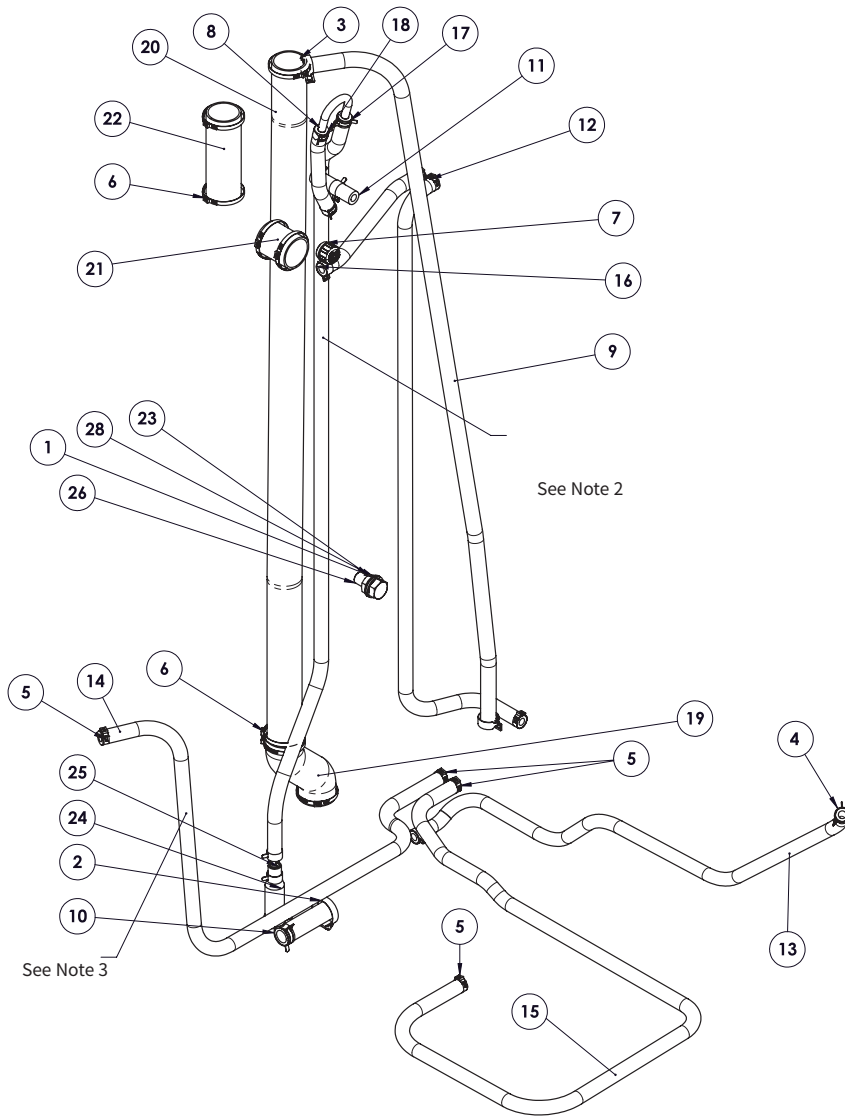


Item	Part	Description	Qty.
1	5015647	Injection Tube Assembly	1
2	5017171	Assembly, Water Manifold	1
3	CM-22794	Clamp, S/S, Range 3/4"-1-3/4"	1
4	CM-29037	Clamp, Hose, 32mm	4
5	CM-29301	Clamp, Hose, 23mm	4
6	CM-38882	Ear Clamp, Pinch, 9mm Band	13
7	CM-39283	T-Bolt Spring Clamp	8
8	FT-36445	Fitting, S/S, U-Shape	1
9	HO-22116	Fitting, Elbow, 90°	1
10	HO-27892	Hose, 0.875" ID, Boiler Pump	1
11	HO-28790	Hose, 0.5" ID, B5	1
12	HO-28790	Hose, 0.5" ID, Y2	1
13	HO-28790	Hose, 0.5" ID, Y4	1
14	HO-28790	Hose, 0.5" ID, Injection	1

Item	Part	Description	Qty.
15	HO-28790	Hose, 0.5" ID, Lowery 1	1
16	HO-28790	Hose, 0.5" ID, Y4	1
17	HO-28790	Hose, 0.5" ID, Y4	1
18	HO-28790	Hose, 0.5" ID, Hand Shower	1
19	HO-28790	Hose, 0.5" ID, Y1 Injection, Loop	
20	HO-35091	Hose, Offset, 2" OD Tube	1
21	HO-35321	Hose, 2" ID, Condenser Exhaust	1
22	HO-37289	Hose, 50mm ID, Upper Browning Vent	1
23	HO-37289	Hose, 50mm ID, Browning Vent Horizontal	1
24	PB-29289	Reducer, 7/8" x 1/2"	1
25	PB-29489	Coupler, 1/2" To 1/2"	1
26	TI-3807	Tie Wire, 8" (140mm), Natural	1
27	TU-36666	Tube, Coupling	1

20-20 ELECTRIC WITH BOILER PLUMBING PRIOR TO 06/17

5016798
Plumbing, CTP
20-20EB



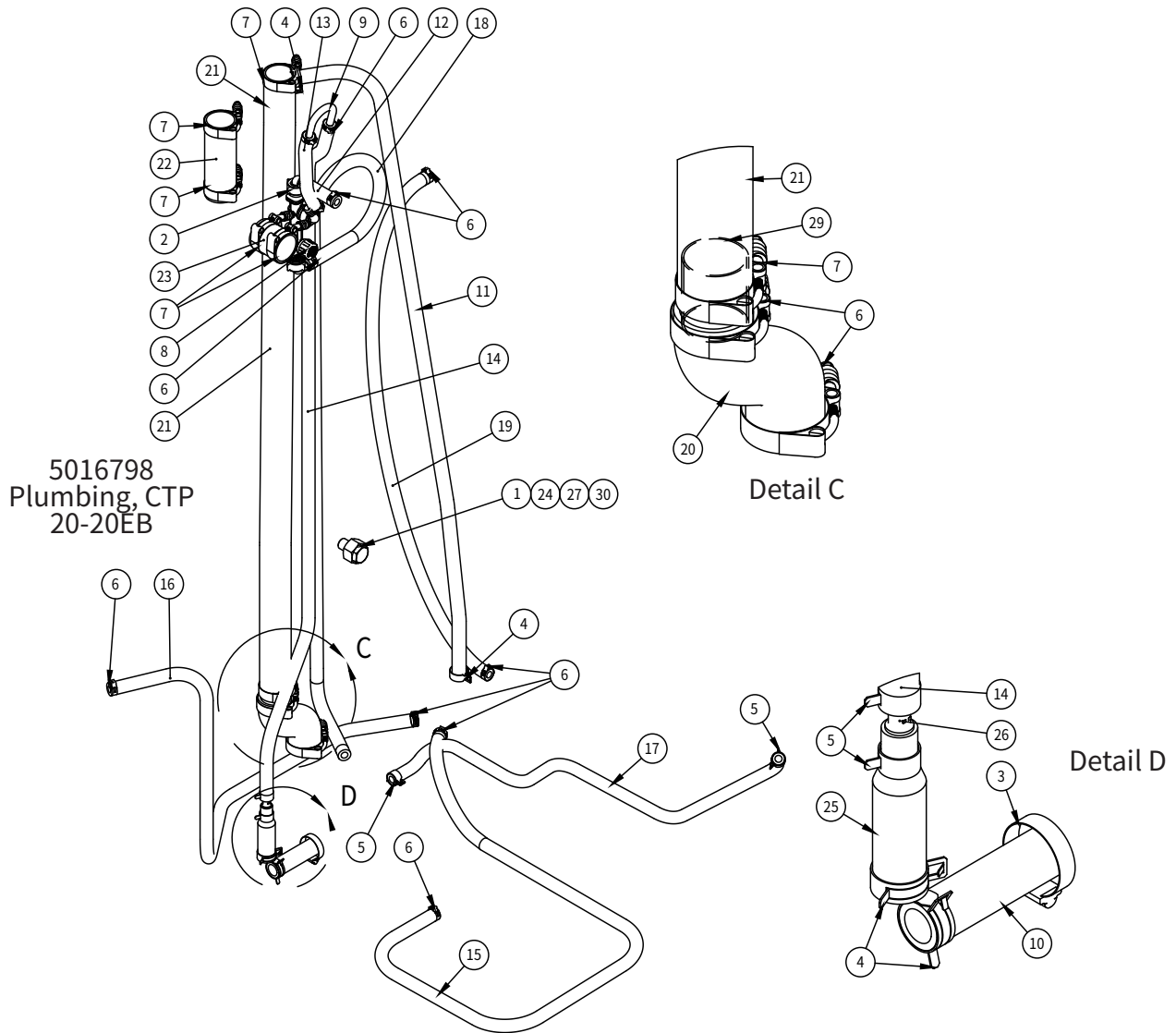
- NOTES:
1. All clamps to be oriented with screw or prongs to service panel.
 2. Use Four (4) TI-3808 (double-linked ties in two places) to fasten Y4 hose to condensation vent stack hose to prevent contact with motor.
 3. Use one (1) TI-3808 (single in one place) to fasten Y5 hose to electrical chassis.

* Not shown

Item	Part	Description	Qty.
1	1015432	Washer	1
2	CM-22794	Clamp, S/S, Range 3/4"-1-3/4"	1
3	CM-29037	Clamp, Hose, 32mm	4
4	CM-29301	Clamp, Hose, 23mm	10
5	CM-38882	Ear Clamp, Pinch, 9mm Band	7
6	CM-38886	Ear Clamp, Pinch, 7mm Band	8
7	CP-35253	G 3/4-14 BSP Cap	1
8	FT-36445	Fitting, S/S, U-Shape	1
9	HO-27892_67781_02	Hose, 0.875" ID, Steam Generator Drain	1
10	HO-27892_PUMPCOND	Hose, 0.875" ID, Pump/Cond	1
11	HO-28790_67666_04	Hose, 0.5" ID, Injection	1
12	HO-28790_67781_01	Hose, 0.5" ID, Y1boiler	1
13	HO-28790_67781_B5	Hose, 0.5" ID, B5	1
14	HO-28790_67781_SHWRL2020	Hose, 0.5" ID, Hand Shower	1
15	HO-28790_67781_Y2	Hose, 0.5" ID, Y2	1

Item	Part	Description	Qty.
16	HO-28790_67781_Y3_BOILER	Hose, 0.5" ID, Y3 Boiler	1
17	HO-28790_67781_Y4	Hose, 0.5" ID, Y4	1
18	HO-28790_67781_Y4_02	Hose, 0.5" ID, Y4	1
19	HO-35091	Hose, Offset, 2" OD Tube	1
20	HO-35321_67781_01	Hose, 2" ID Steam, Condensate Tank Exhaust	1
21	HO-37289_67781_UPPER VENT HORIZ	Hose, 50mm ID, Cavity To Vent	1
22	HO-37289_67781_UPPER Vertical Vent	Hose, 50mm ID, Valve To Vent	1
23	NU-35951	Nut, M20 x 2.5 HJN DIN439B	1
24	PB-29289	Reducer, 7/8" x 1/2"	1
25	PB-29489	Coupler, 1/2" To 1/2"	1
26	SC-36368	Screw, M20 x 2.5 x 40mm Hex	1
27	*TI-3808	Tie Wire, 8" (140mm), Natural	9
28	WS-35485	Washer, Conical 1" ID x 1.5"od	1

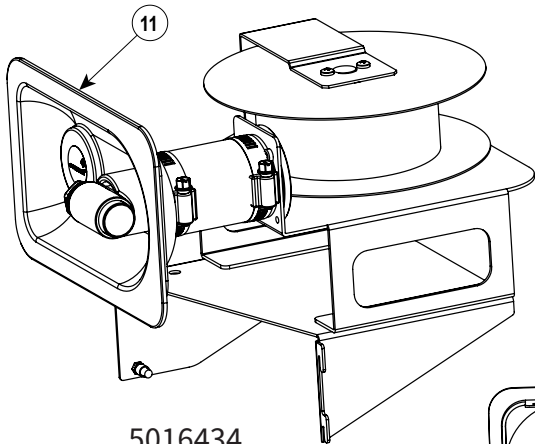
20-20 ELECTRIC WITH BOILER PLUMBING AFTER 06/17



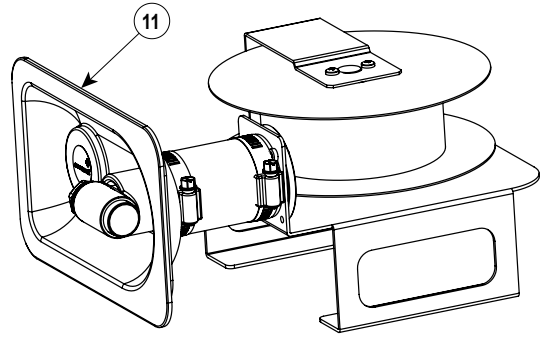
Item	Part	Description	Qty.
1	1015432	Washer	1
2	5017171	Assembly, Water Manifold	1
3	CM-22794	Clamp, S/S, Range 3/4"-1-3/4"	1
4	CM-29037	Clamp, Hose, 32mm	4
5	CM-29301	Clamp, Hose, 23mm	4
6	CM-38882	Ear Clamp, Pinch, 9mm Band	13
7	CM-39283	T-Bolt Spring Clamp	8
8	CP-35253	G 3/4-14 BSP Cap	1
9	FT-36445	Fitting, S/S, U-Shape	1
10	HO-27892	Hose, 0.875" ID, Boiler Pump	1
11	HO-27892	Hose, 0.875" ID, Pump/Cond	1
12	HO-28790	Hose, 0.5" ID, Injection	1
13	HO-28790	Hose, 0.5" ID, Y4	1
14	HO-28790	Hose, 0.5" ID, Y4	1
15	HO-28790	Hose, 0.5" ID, Y2	1

Item	Part	Description	Qty.
16	HO-28790	Hose, 0.5" ID, Hand Shower	1
17	HO-28790	Hose, 0.5" ID, B5	1
18	HO-28790	Hose, 0.5" ID, Y3	1
19	HO-28790	Hose, 0.5" ID, Y1 Boiler	1
20	HO-35091	Hose, Offset, 2" OD Tube	1
21	HO-35321	Hose, 2" ID, Condenser Exhaust	1
22	HO-37289	Hose, 50mm ID, Upper Browning Vent	1
23	HO-37289	Hose, 50mm ID, Browning Vent Horizontal	1
24	hex thin nut chamfered gradeab_iso		
25	PB-29289	Reducer, 7/8" x 1/2"	1
26	PB-29489	Coupler, 1/2" To 1/2"	1
27	SC-36368	Screw, M20 x 2.5 x 40mm Hex	1
28	TI-3808	Tie Wire, 8" (140mm), Natural	5
29	TU-36666	Tube, Coupling	1
30	WS-35485	Washer, Conical, 1" ID x 1.5" OD	1

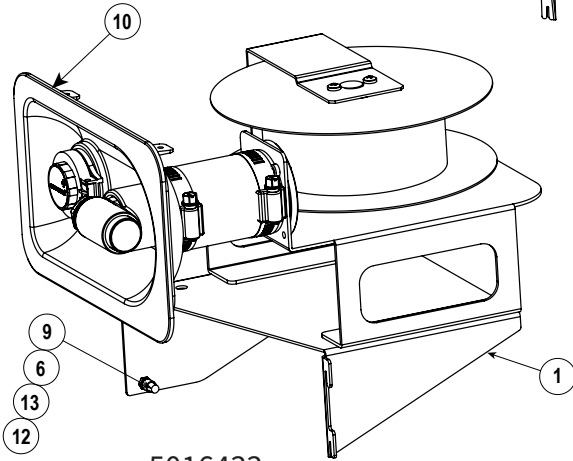
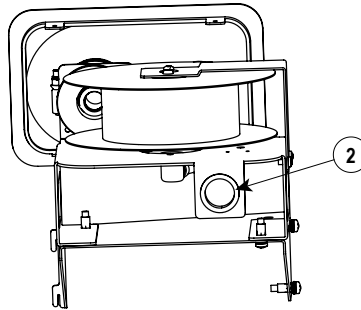
HAND SHOWER PACKAGE



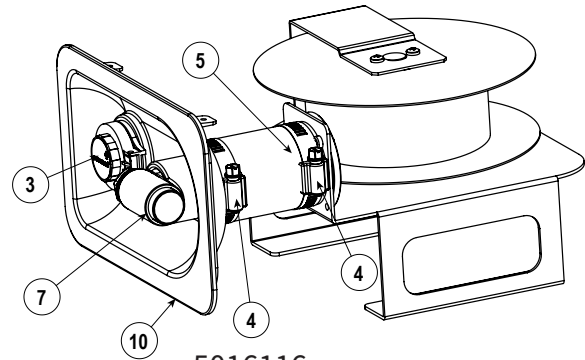
5016434
Without USB
20-10, 20-20



5016117
Without USB
6-10, 10-10, 7-20, 10-20



5016433
With USB
20-10, 20-20

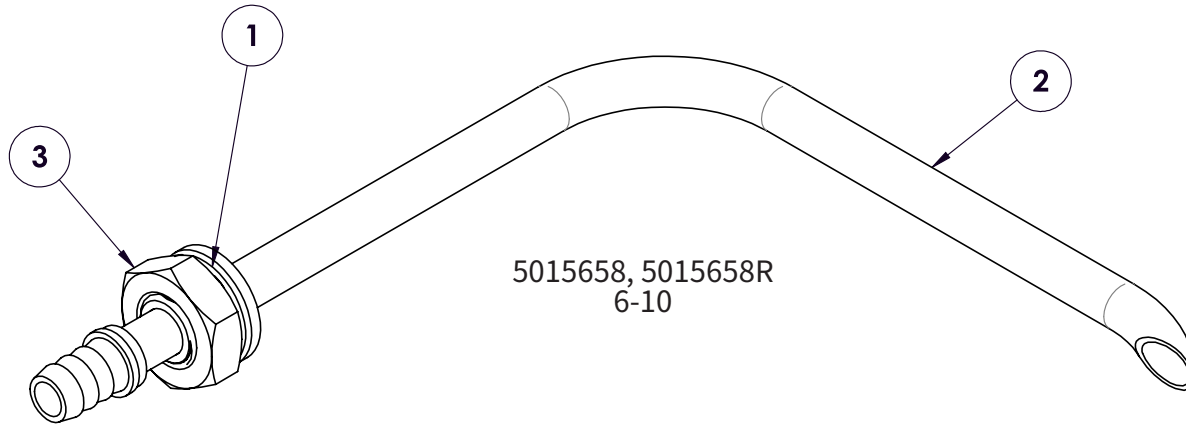


5016116
With USB
6-10, 10-10, 7-20, 10-20

NOTE: Apply AD-25294 (Pactan) to the back side of flange on SP-35790/SP35830.

Item	Part	Description	5016116 Qty.	5016117 Qty.	5016433 Qty.	5016434 Qty.
1	1014569	Bracket, Shower Reel	-	-	1	1
2	BU-3378	Snap Bushing	-	-	1	1
3	CB-35746	Connector, USB, Panel Mount	1	-	1	-
4	CL-22234	Clamp, Worm Gear, 40-60, Hose	2	2	2	2
5	HO-35322	Hose, 1-5/8" (41mm) Bulk, 2-7/8" (73mm)	1	1	1	1
6	NU-23909	Nut, Hex Insert M5	2	2	4	4
7	PB-29664	Plumbing, Hand Sprayer	1	1	1	1
8	PB-35151	Retractable Shower Reel	1	1	1	1
9	SC-22779	Screw, M5 x 0.8 x 20mm Pan	2	2	4	4
10	SP-35790	Spray Housing	1	-	1	-
11	SP-35830	Spray Housing	-	1	-	1
12	WS-22295	Washer, Flat M5 S/S	2	2	4	4
13	WS-22301	Washer, M5 Split Lock	2	2	4	4

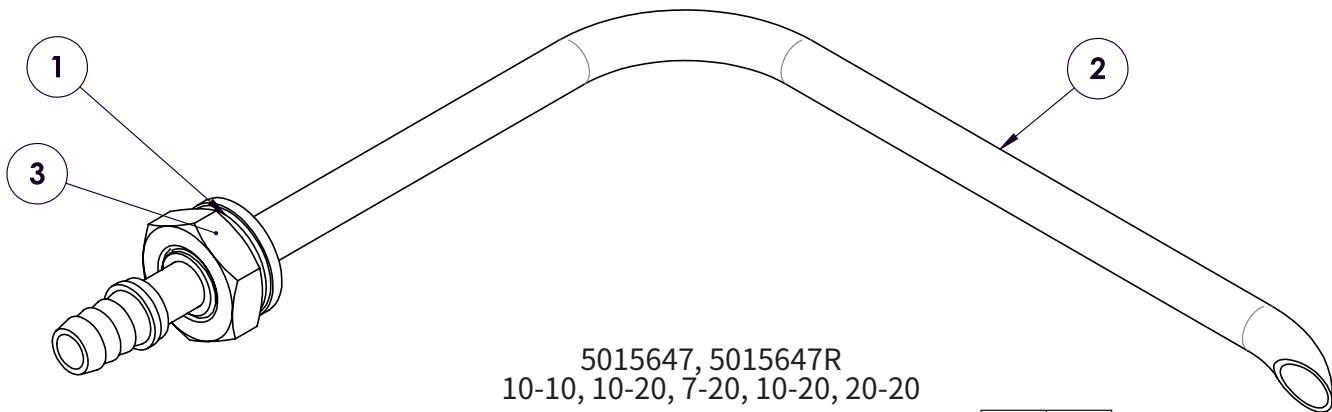
INJECTION TUBE ASSEMBLY



5015658, 5015658R
6-10

Item	Part	Description	5015658	5015658R
			Qty.	Qty.
1	1013000	Washer, Conical 0.875" ID x 1.125" OD	1	1
2	5015657	Injection Tube Weld Assembly	1	1
3	NU-35951	Nut, M20 x 2.5 HJN DIN439B	1	1
4	SRV-20060	Service Document (Not shown)	-	1

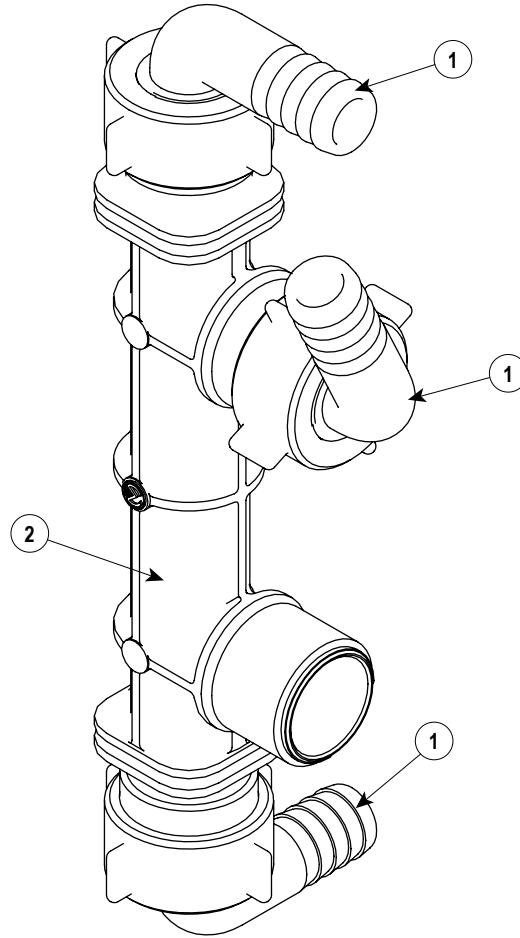
NOTE: Use 13mm socket for NU-35951



5015647, 5015647R
10-10, 10-20, 7-20, 10-20, 20-20

Item	Part	Description	5015647	5015647R
			Qty.	Qty.
1	1013000	Washer, Conical 0.875" ID x 1.125" OD	1	1
2	5015646	Injection Tube Weld Assembly	1	1
3	NU-35951	Nut, M20 x 2.5 HJN DIN439B	1	1
4	SRV-20060	Service Document (Not shown)	-	1

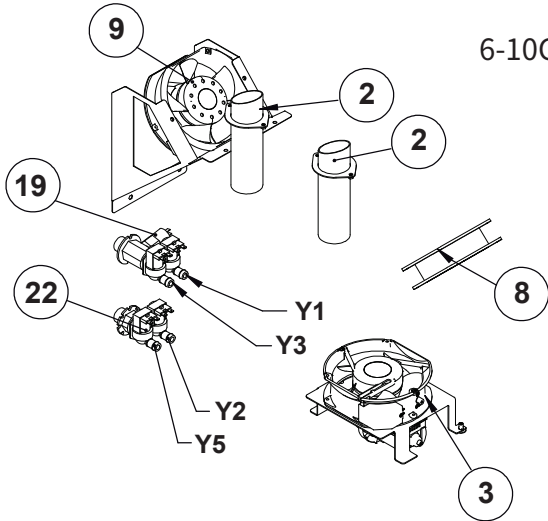
CTP/CTC WATER MANIFOLD ASSEMBLY



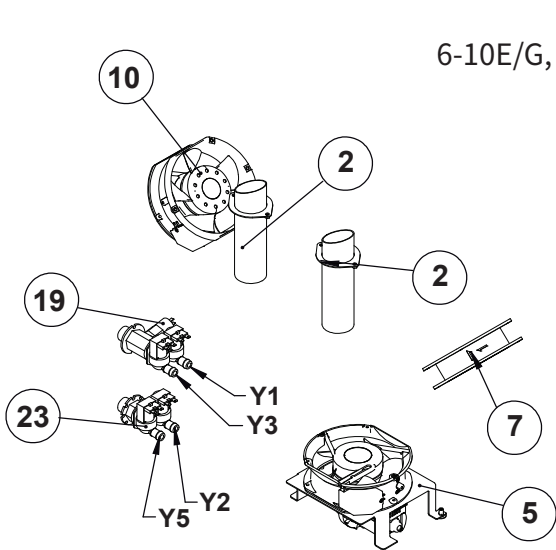
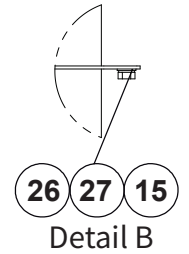
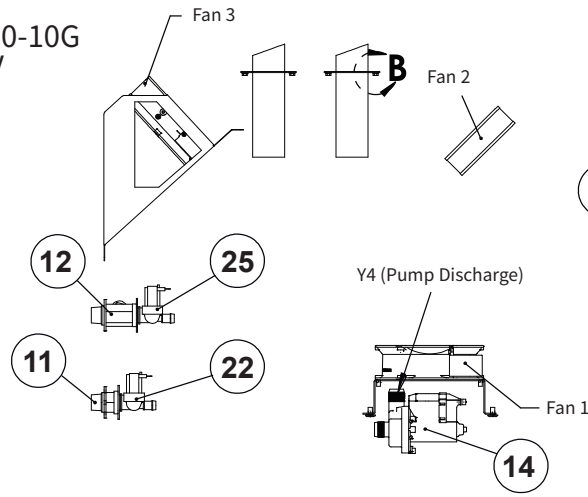
5017171
Water Manifold, CTC/CTP

Item	Part	Description	Qty.
1	HO-22116	Fitting, Elbow, 90°	3
2	PB-35145	Manifold, Triple Distribution, G 3/4	1

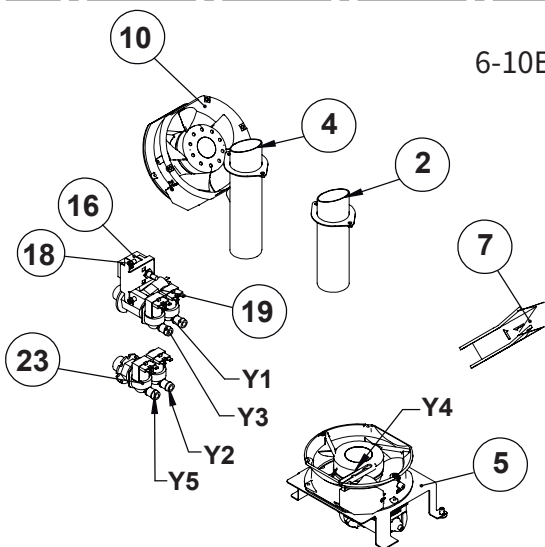
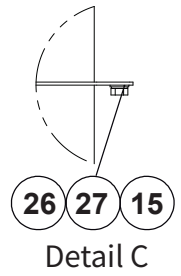
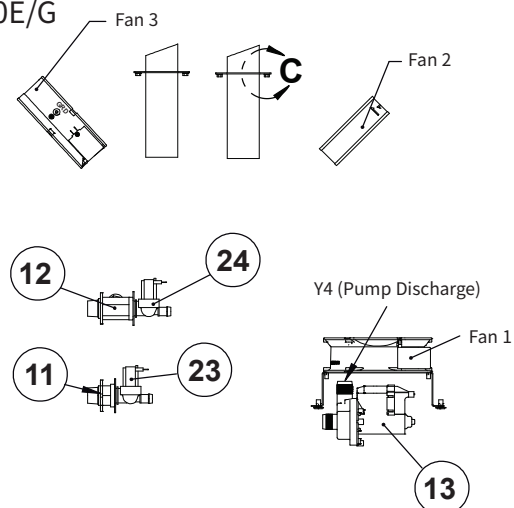
**PLUMBING PACKAGE PRIOR TO 06/17:
6-10/7-20/10-10 SOLENOIDS, PUMPS, FANS**



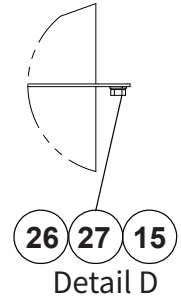
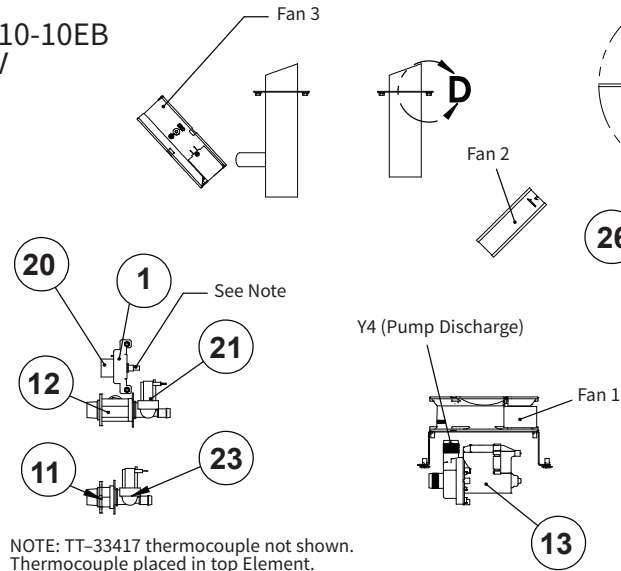
5016154
6-10G, 7-20G, 10-10G
110-120V



5016155
6-10E/G, 7-20E/G, 10-10E/G
208-240V



5016156
6-10EB, 7-20EB, 10-10EB
208-240V

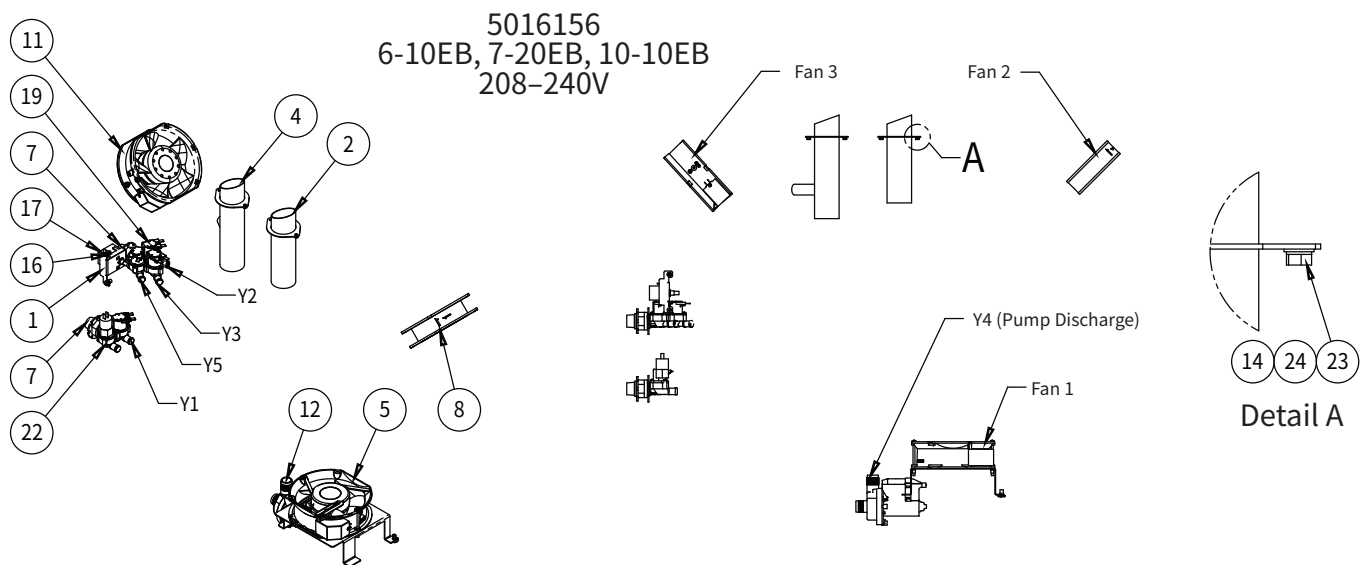
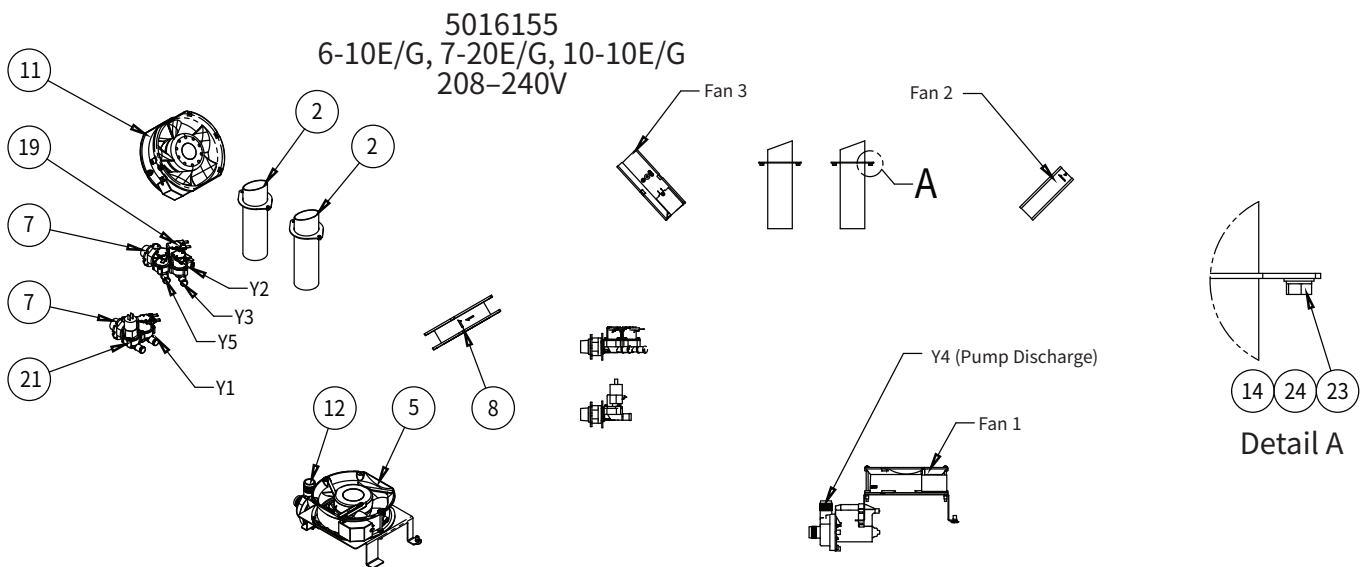
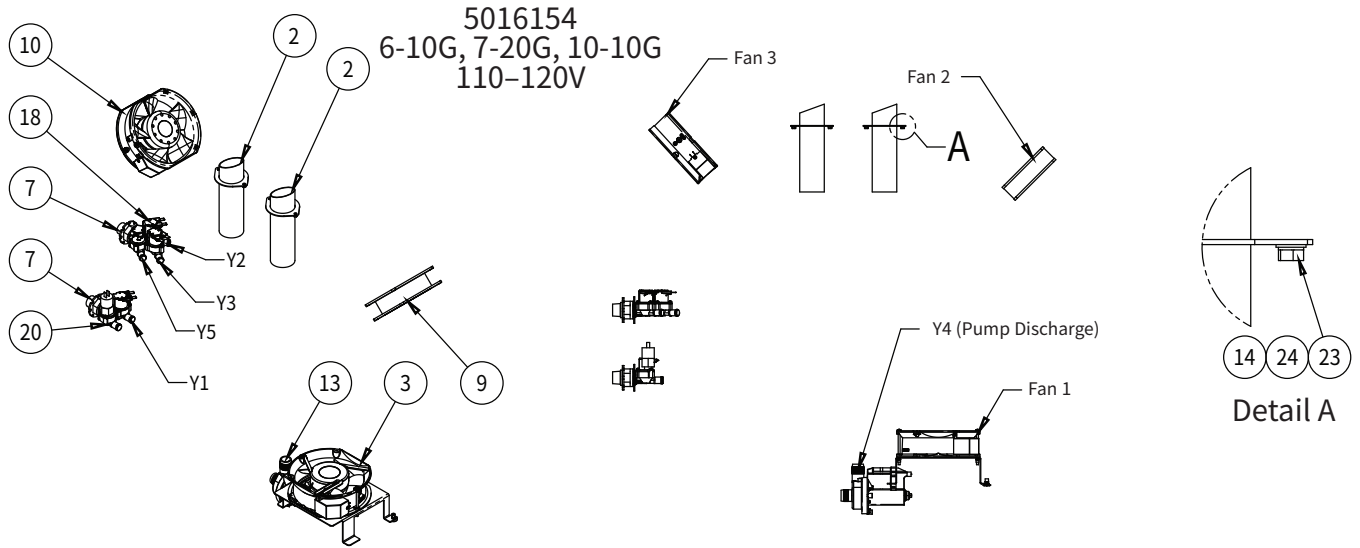


NOTE: TT-33417 thermocouple not shown.
Thermocouple placed in top Element.

**PLUMBING PACKAGE PRIOR TO 06/17:
6/10/7-20/10-10 SOLENOIDS, PUMPS, FANS PARTS LIST**

Item	Part	Description	5016154	5016155	5016156
			Qty.	Qty.	Qty.
1	1015535	Bracket, Thermostat, Boiler Safety	-	-	1
2	5014930	Pipe Assembly, Exhaust Weldment 2" OD	2	2	1
3	5015144	Assembly, Fan 120V	1	-	-
4	5015160	Pipe Assembly, Exhaust/Drain Weldment, 2" OD	-	-	1
5	5016860	Assembly, Fan 230V	-	1	1
6	5017278	Wire Assembly, All Models and Volts Y4 Sub Assembly	1	1	1
7	FA-3568	Fan Housing, 119mm x 119mm x 38mm, 60mA, 30DBA, 230VAC	-	1	1
8	FA-3599	Fan, Tubeaxial, 115V, 70CFM	1	-	-
9	FA-36689	Fan, Axial, 115v, 172 x 150 x 55mm, 60 Hz, 38w, 293CFM	1	-	-
10	FA-36690	Fan, Axial, 230V, 172 x 150 x 55mm, 50/60 Hz, 38w, 293CFM	-	1	1
11	FT-35167	Fitting, G 3/4 BSP By 3/4 NPT	1	1	1
12	FT-35990	Fitting, G 3/4 BSP By 3/4 NPT Treated Water Inlet	1	1	1
13	MO-35160	Pump, Wash System, 220V	-	1	1
14	MO-35262	Pump, Wash System, 110V	1	-	-
15	NU-22286	M4-0.7 Hex Nut 18-8	4	4	4
16	NU-23909	Nut, Hex Insert M5 25GA - 14GA	-	-	2
17	SA-28149	O-Ring, 7/8 ID, 1-1/8 OD, Viton	2	2	2
18	SC-22766	Screw, M5 x 0.8 x 10mm PAN PHH	-	-	2
19	SW-33280	Switch, Pressure 7 PSI	1	1	1
20	TT-33417	Thermostat, Limit 135°C	-	-	1
21	VA-34045	Valve, Solenoid, 2 Port 208-240V	-	-	1
22	VA-36864	Valve, Solenoid, 2 Port 110-120V	1	-	-
23	VA-36865	Valve, Solenoid, 2 Port 208-240V	-	1	1
24	VA-38067	Valve, Solenoid, 2 Port 208-240V	-	1	-
25	VA-38084	Valve, Solenoid, 2 Port 120V	1	-	-
26	WS-22294	Washer, Flat M4 18-8 S/S	4	4	4
27	WS-22300	Washer, Split Lock M4, 18-8 S/S	4	4	4

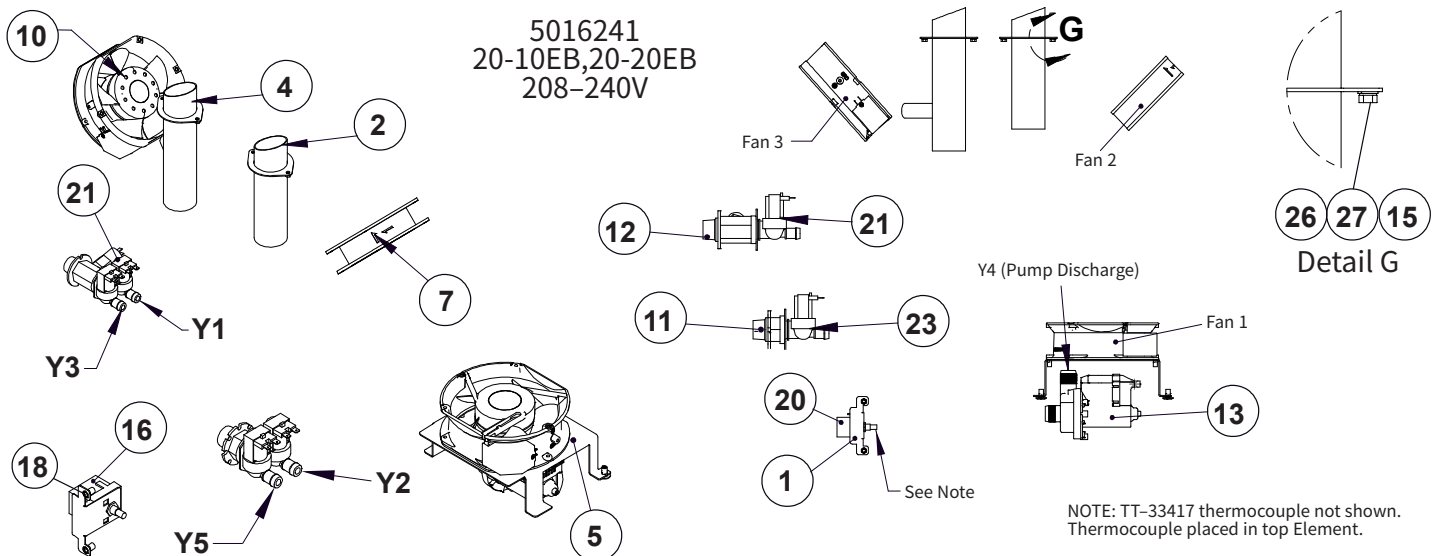
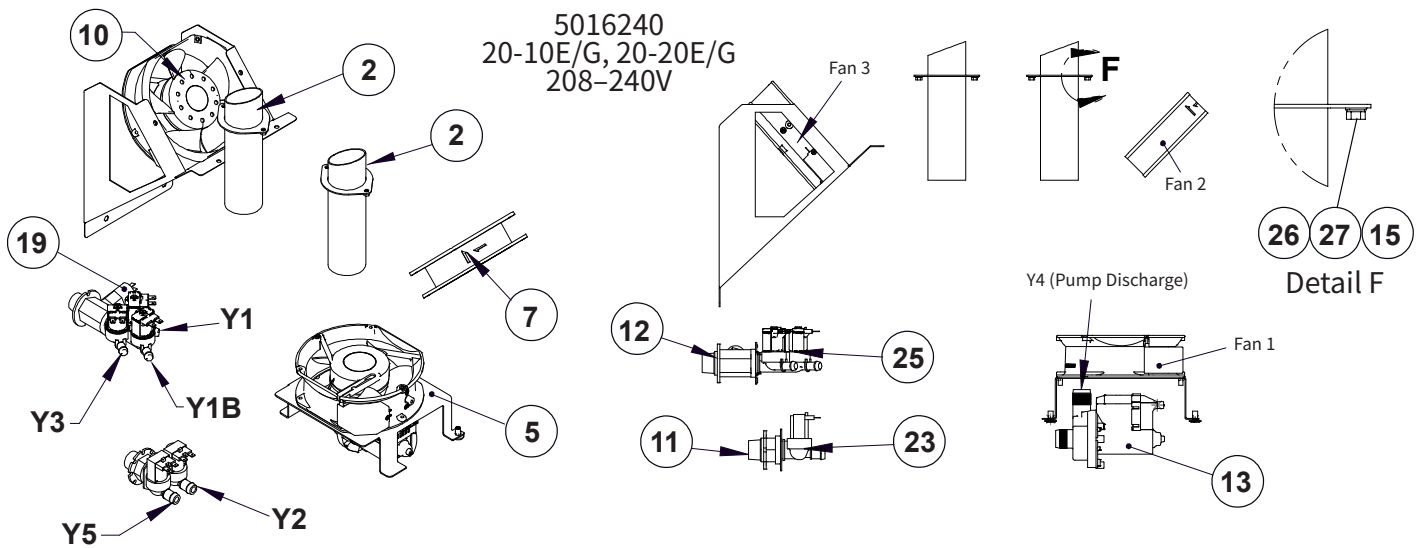
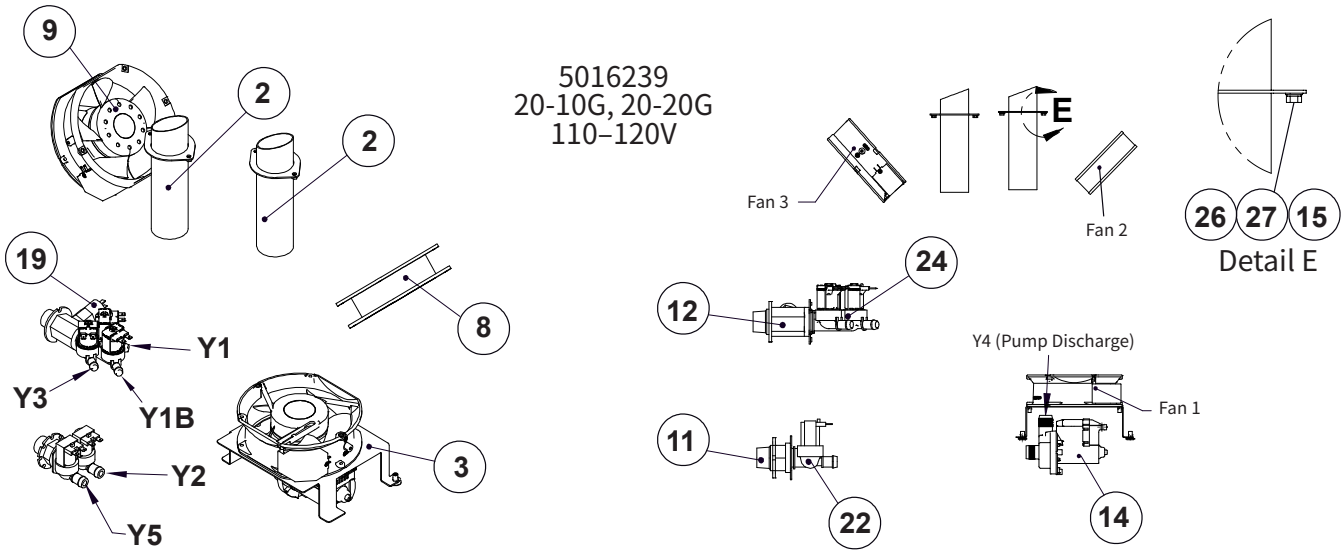
**PLUMBING PACKAGE AFTER 06/17:
6-10/7-20/10-10 SOLENOIDS, PUMPS, FANS**



PLUMBING PACKAGE AFTER 06/17: 6/10/7-20/10-10 SOLENOIDS, PUMPS, FANS PARTS LIST

Item	Part	Description	5016154	5016155	5016156
			Qty.	Qty.	Qty.
1	1015535	Bracket, Thermostat, Boiler Safety	-	-	1
2	5014930	Pipe Assembly, Exhaust Weldment 2" OD	2	2	1
3	5015144	Assembly, Fan 120V	1	-	-
4	5015160	Pipe Assembly, Exhaust/Drain Weldment, 2" OD	-	-	1
5	5016860	Assembly, Fan 230V	-	1	1
6	5017278	Wire Assembly, All Models and Volts Y4 Sub Assembly	1	1	1
7	5024963	Fitting, G 3/4 BSP by 3/4 NPT	2	2	2
8	FA-3568	Fan Housing, 119mm x 119mm x 38mm, 60mA, 30DBA, 230VAC	-	1	1
9	FA-3599	Fan, Tubeaxial, 115V, 70CFM	1	-	-
10	FA-36689	Fan, Axial, 115v, 172 x 150 x 55mm, 60 Hz, 38w, 293CFM	1	-	-
11	FA-36690	Fan, Axial, 230V, 172 x 150 x 55mm, 50/60 Hz, 38w, 293CFM	-	1	1
12	MO-35160	Pump, Wash System, 220V	-	1	1
13	MO-35262	Pump, Wash System, 110V	1	-	-
14	NU-22286	M4-0.7 Hex Nut 18-8	4	4	4
15	NU-23909	Nut, Hex Insert M5 25GA - 14GA	-	-	2
16	SC-22766	Screw, M5 x 0.8 x 10mm PAN PHH	-	-	2
17	TT-33417	Thermostat, Limit 135°C	-	-	1
18	VA-38647	Valve, Solenoid, Triple Port	1	-	-
19	VA-38648	Valve, Solenoid, Triple Port	-	1	1
20	VA-39183	Valve, Solenoid, Double Port	1	-	-
21	VA-39184	Valve, Solenoid, Double Port	-	1	-
22	VA-39185	Valve, Solenoid, Double Port	-	-	1
23	WS-22294	Washer, Flat M4 18-8 S/S	4	4	4
24	WS-22300	Washer, Split Lock M4, 18-8 S/S	4	4	4

**PLUMBING PACKAGE PRIOR TO 06/17:
20-10/20-20 SOLENOIDS, PUMPS, FANS**



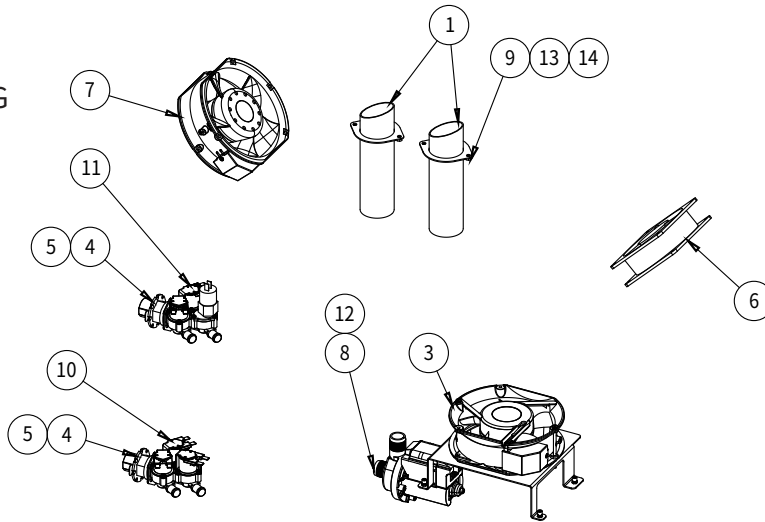
NOTE: TT-33417 thermocouple not shown.
Thermocouple placed in top Element.

PLUMBING PACKAGE PRIOR TO 06/17: 20-10/20-20 SOLENOIDS, PUMPS, FANS PARTS LIST

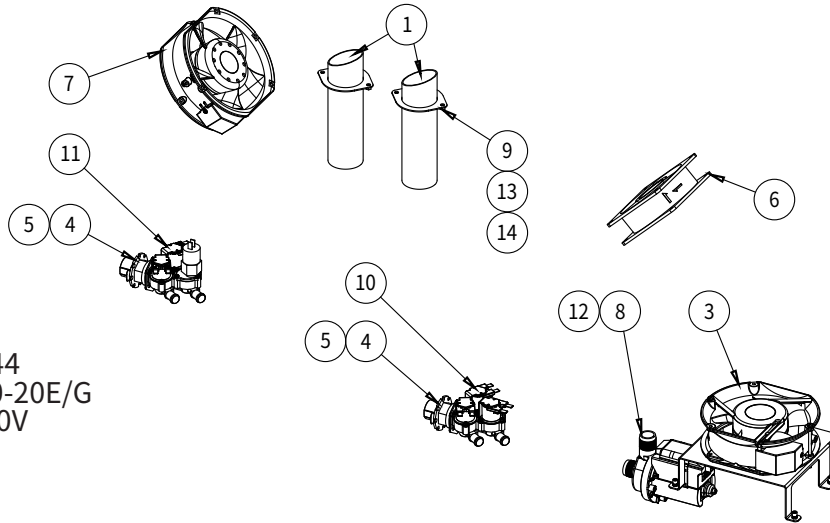
Item	Part	Description	5016239	5016240	5016241
			Qty.	Qty.	Qty.
1	1015535	Bracket, Thermostat, Boiler Safety	-	-	1
2	5014930	Pipe Assembly, Exhaust Weldment 2" OD	2	2	1
3	5015144	Assembly, Fan 120V	1	-	-
4	5015160	Pipe Assembly, Exhaust/Drain Weldment, 2" OD	-	-	1
5	5016860	Assembly, Fan 230V	-	1	1
6	5017278	Wire Assembly, All Models and Volts Y4 Sub Assembly	1	1	1
7	FA-3568	Fan Housing, 119mm x 119mm x 38mm, 60mA, 30DBA, 230VAC	-	1	1
8	FA-3599	Fan, Tubeaxial, 115V 70CFM	1	-	-
9	FA-36689	Fan, Axial, 115v, 172 x 150 x 55mm 60 Hz, 38w, 293CFM	1	-	-
10	FA-36690	Fan, Axial, 230V, 172 x 150 x 55mm 50/60 Hz, 38w, 293CFM	-	1	1
11	FT-35167	Fitting, G 3/4 BSP By 3/4 NPT	1	1	1
12	FT-35990	Fitting, G 3/4 BSP By 3/4 NPT Treated Water Inlet	1	1	1
13	MO-35160	Pump, Wash System, 220V	-	1	1
14	MO-35262	Pump, Wash System, 110V	1	-	-
15	NU-22286	M4-0.7 Hex Nut 18-8	4	4	4
16	NU-23909	Nut, Hex Insert M5 25GA - 14GA	-	-	2
17	SA-28149	O-Ring, 7/8 ID, 1-1/8 OD, Viton	2	2	2
18	SC-22766	Screw, M5 x 0.8 x 10mm PAN PHH	-	-	2
19	SW-33280	Switch, Pressure 7 PSI	1	1	1
20	TT-33417	Thermostat, Limit 135°C	-	-	1
21	VA-34045	Valve, Solenoid, 2 Port 208-240V	-	-	1
22	VA-36864	Valve, Solenoid, 2 Port 110-120V	1	-	-
23	VA-36865	Valve, Solenoid, 2 Port 208-240V	-	1	1
24	VA-38088	Valve, Solenoid, 2 Port 208-240V	-	1	-
25	VA-38089	Valve, Solenoid, 2 Port 120V	1	-	-
26	WS-22294	Washer, Flat M4 18-8 S/S	4	4	4
27	WS-22300	Washer, Split Lock M4, 18-8 S/S	4	4	4

**PLUMBING PACKAGE AFTER 06/17:
20-10/20-20 SOLENOIDS, PUMPS, FANS**

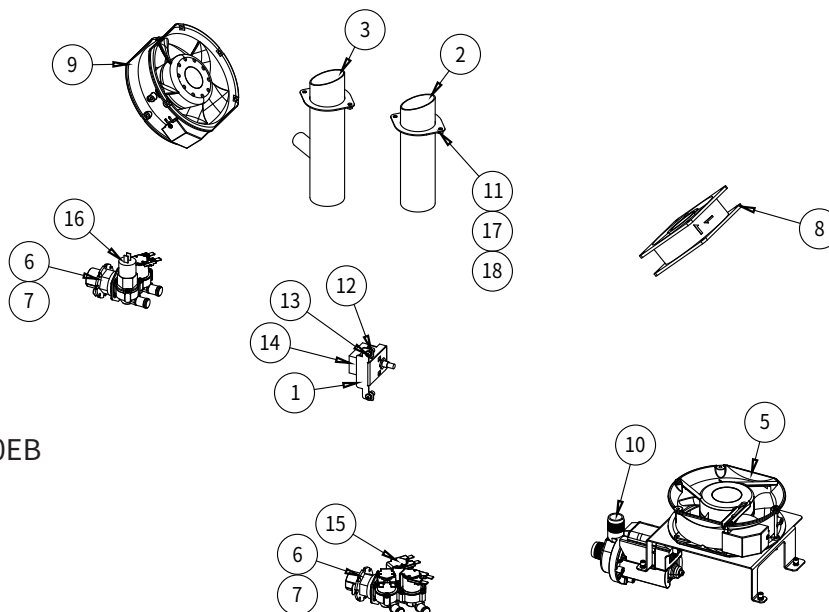
5021633
20-10G, 20-20G
110-120V



5022044
20-10E/G, 20-20E/G
208-240V



5022064
20-10EB, 20-20EB
208-240V



PLUMBING PACKAGE AFTER 06/17: 20-10/20-20 SOLENOIDS, PUMPS, FANS PARTS LIST

5021633
20-10G, 20-20G
110-120V

Item	Part	Description	Qty.
1	5014930	Pipe Assembly, Exhaust Weldment 2" OD	2
2	5017278	Wire Assembly, All Models and Volts Y4 Sub Assembly	1
3	5021590	Assembly, Fan	1
4	5024963	Fitting, G 3/4 BSP By 3/4 NPT	2
5	CP-39371	Cap, 3/4 NPT Threads	2
6	FA-3599	Fan, Tubeaxial, 115V 70CFM	1
7	FA-36689	Fan, Axial, 115v, 172 x 150 x 55mm 60 Hz, 38w, 293CFM	1
8	MO-35262	Pump, Wash System, 110V	1
9	NU-22286	Nut, M4-0.7 Hex	4
10	VA-38647	Valve, Solenoid, Triple Port	1
11	VA-39188	Valve, Solenoid, Triple Port	1
12	WS-22094	Washer, 1/4 Flat, 5/8 OD 18-8 S/S	2
13	WS-22294	Washer, Flat M4 18-8 S/S	4
14	WS-22300	Washer, Split Lock M4, 18-8 S/S	4

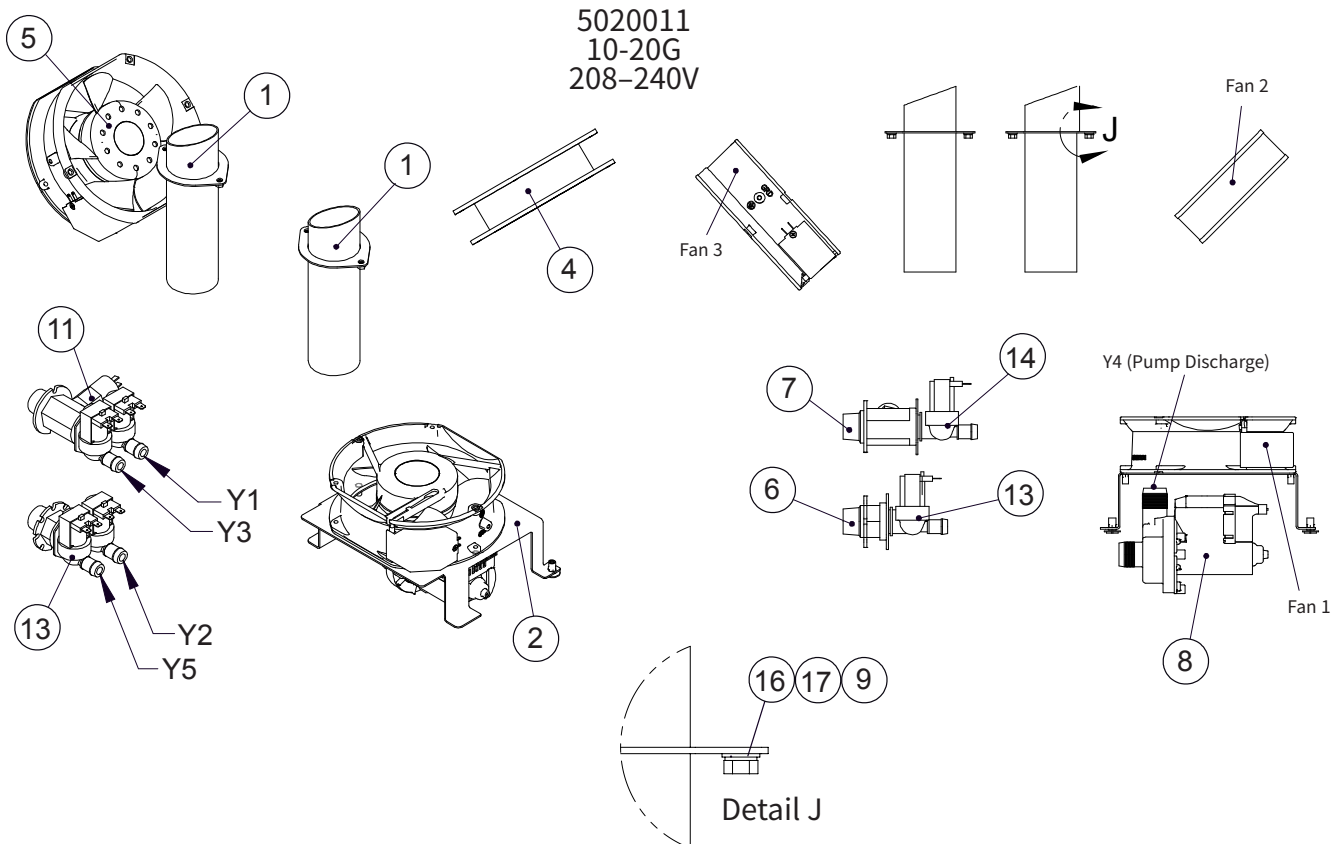
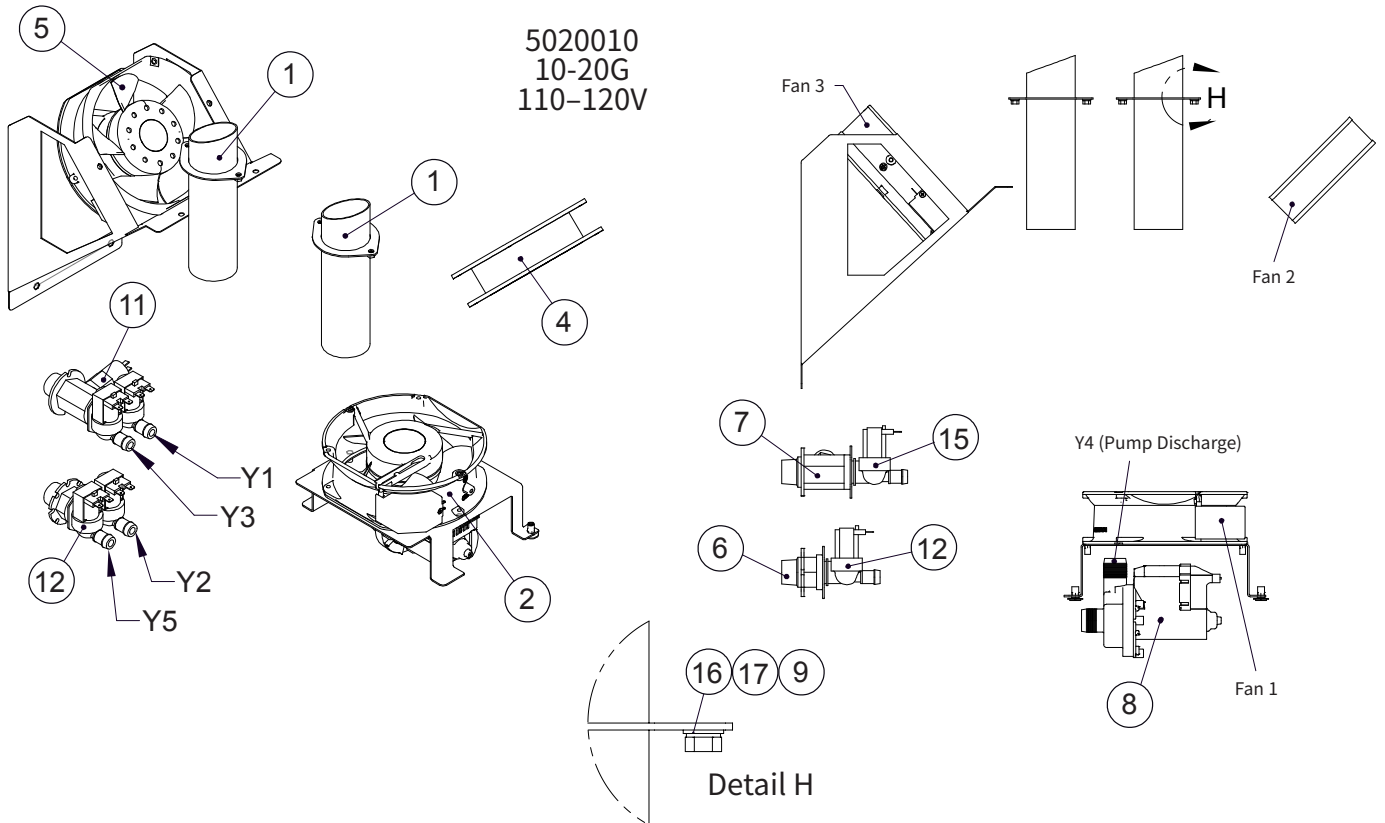
5022044
20-10E/G, 20-20E/G
208-240V

Item	Part	Description	Qty.
1	5014930	Pipe Assembly, Exhaust Weldment 2" OD	2
2	5017278	Wire Assembly, All Models and Volts Y4 Sub Assembly	1
3	5022047	Assembly, Fan	1
4	5024963	Fitting, G 3/4 BSP By 3/4 NPT	2
5	CP-39371	Cap, 3/4 NPT Threads	2
6	FA-3568	Fan Housing, 119mm x 119mm x 38mm	1
7	FA-36690	Fan, Axial, 230V, 172mm x 150mm x 55mm	1
8	MO-35160	Pump, Wash System, 220V	1
9	NU-22286	Nut, M4-0.7 Hex	4
10	VA-38648	Valve, Solenoid, Triple Port	1
11	VA-39189	Valve, Solenoid, Triple Port	1
12	WS-22094	Washer, 1/4 Flat, 5/8 OD 18-8 S/S	2
13	WS-22294	Washer, Flat M4 18-8 S/S	4
14	WS-22300	Washer, Split Lock M4, 18-8 S/S	4

5022064
20-10EB, 20-20EB
208-240V

Item	Part	Description	Qty.
1	1015535	Bracket, Thermostat, Boiler Safety	1
2	5014930	Pipe Assembly, Exhaust Weldment 2" OD	1
3	5015160	Pipe Assembly, Exhaust/Drain Weldment, 2" OD	1
4	5017278	Wire Assembly, All Models and Volts Y4 Sub Assembly	1
5	5022047	Assembly, Fan	1
6	5024963	Fitting, G 3/4 BSP By 3/4 NPT	2
7	CP-39371	Cap, 3/4 NPT Threads	2
8	FA-3568	Fan Housing, 119mm x 119mm x 38mm	1
9	FA-36690	Fan, Axial, 230V, 172mm x 150mm x 55mm	1
10	MO-35160	Pump, Wash System, 220V	1
11	NU-22286	Nut, M4-0.7 Hex	4
12	NU-23909	Nut, Hex Insert M5	2
13	SC-22766	Screw, M5 x 0.8 x 10mm Pan	2
14	TT-33417	Thermostat, Boiler Safety	1
15	VA-38648	Valve, Solenoid, Triple Port	1
16	VA-39185	Valve, Solenoid, Double Port	1
17	WS-22294	Washer, Flat M4 18-8 S/S	4
18	WS-22300	Washer, Split Lock M4, 18-8 S/S	4

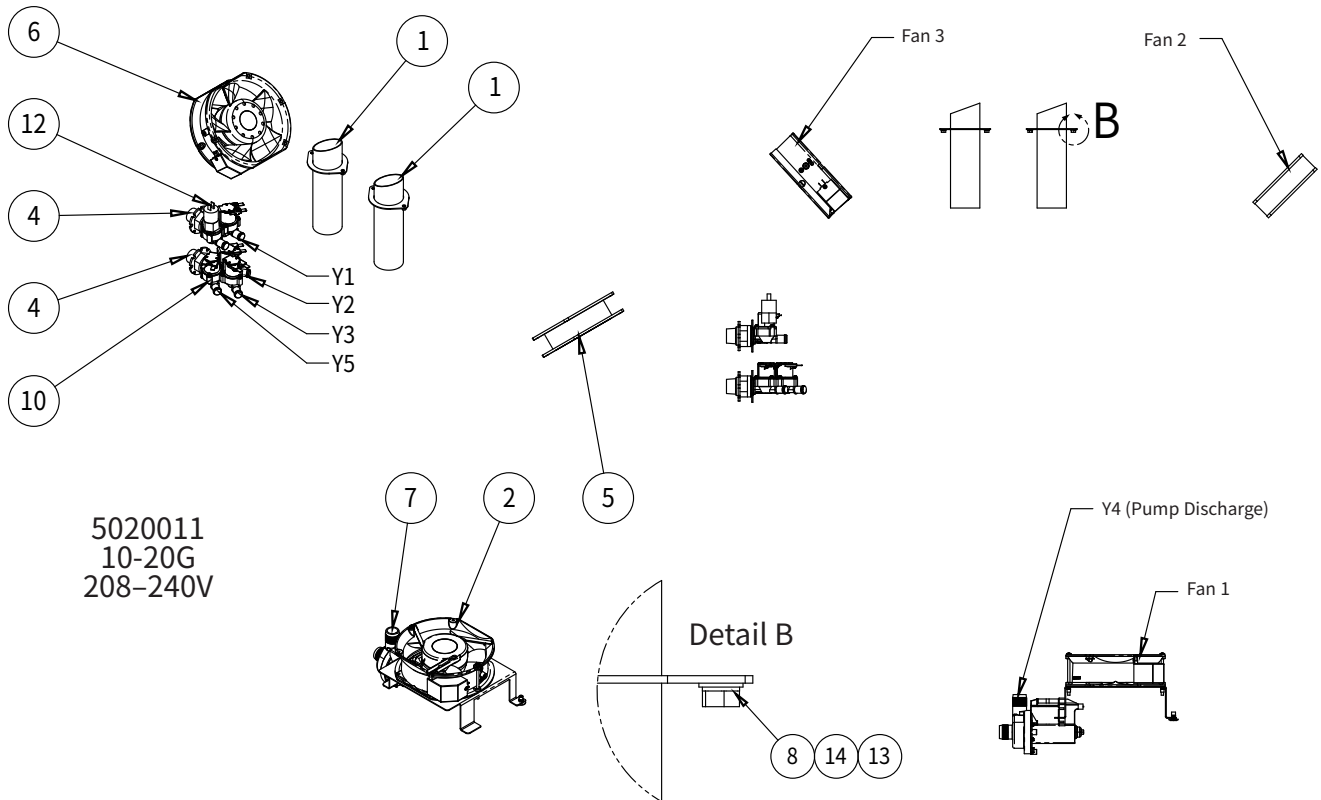
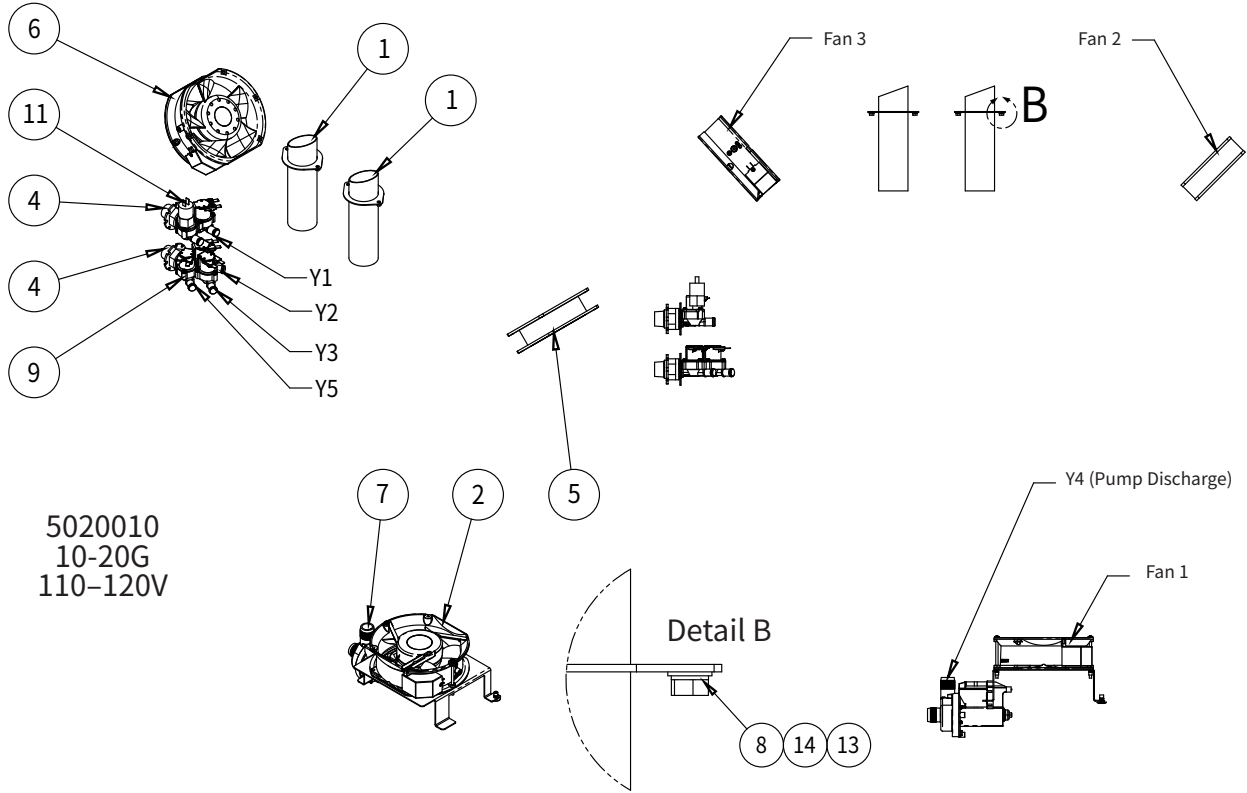
**PLUMBING PACKAGE PRIOR TO 06/17:
10-20 SOLENOIDS, PUMPS, FANS**



**PLUMBING PACKAGE PRIOR TO 06/17:
10-20 SOLENOIDS, PUMPS, FANS PARTS LIST**

Item	Part	Description	5020010	5020011
			Qty.	Qty.
1	5014930	Pipe Assembly, Exhaust Weldment	2	2
2	5015144	Assembly, Fan	1	1
3	5017278	Wire Assembly, All Models and Volts	1	1
4	FA-3599	Fan, Tubeaxial, 115V 70CFM	1	1
5	FA-36689	Fan, Axial, 115v, 172 x 150 x 55mm	1	1
6	FT-35167	Fitting, G 3/4 BSP By 3/4 NPT	1	1
7	FT-35990	Fitting, G 3/4 BSP By 3/4 NPT	1	1
8	MO-35262	Pump, Wash System, 110V	1	1
9	NU-22286	M4-0.7 Hex Nut 18-8	4	4
10	SA-28149	O-Ring, 7/8 ID, 1-1/8 OD, Viton	2	2
11	SW-33280	Switch, Pressure	1	1
12	VA-36864	Valve, Solenoid, 2 Port	1	-
13	VA-36865	Valve, Solenoid, 2 Port	-	1
14	VA-38085	Valve, Solenoid, 2 Port	-	1
15	VA-38086	Valve, Solenoid, 2 Port	1	-
16	WS-22294	Washer, Flat M4 18-8 S/S	4	4
17	WS-22300	Washer, Split Lock	4	4

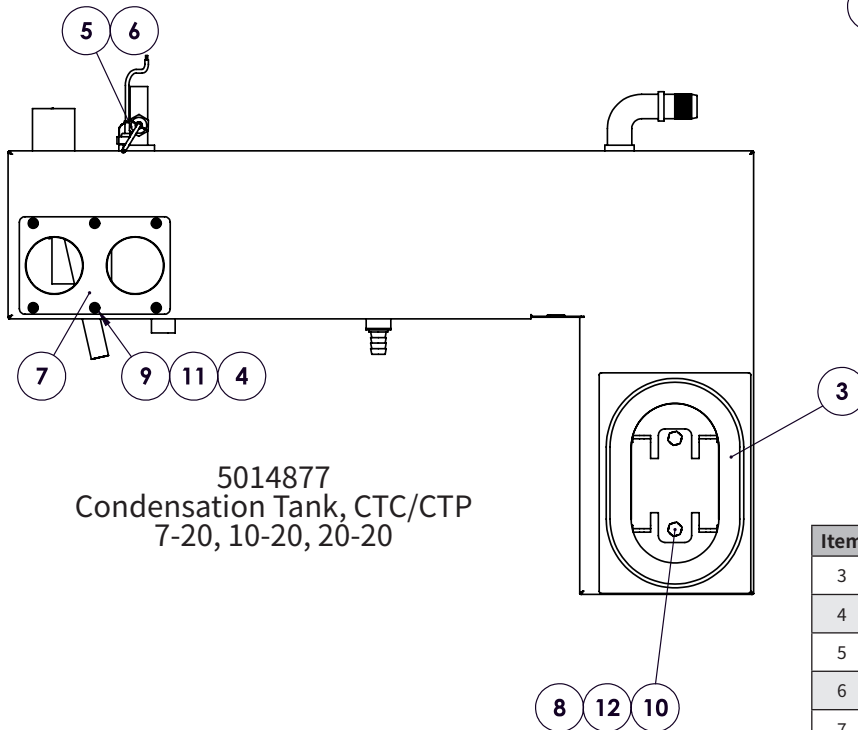
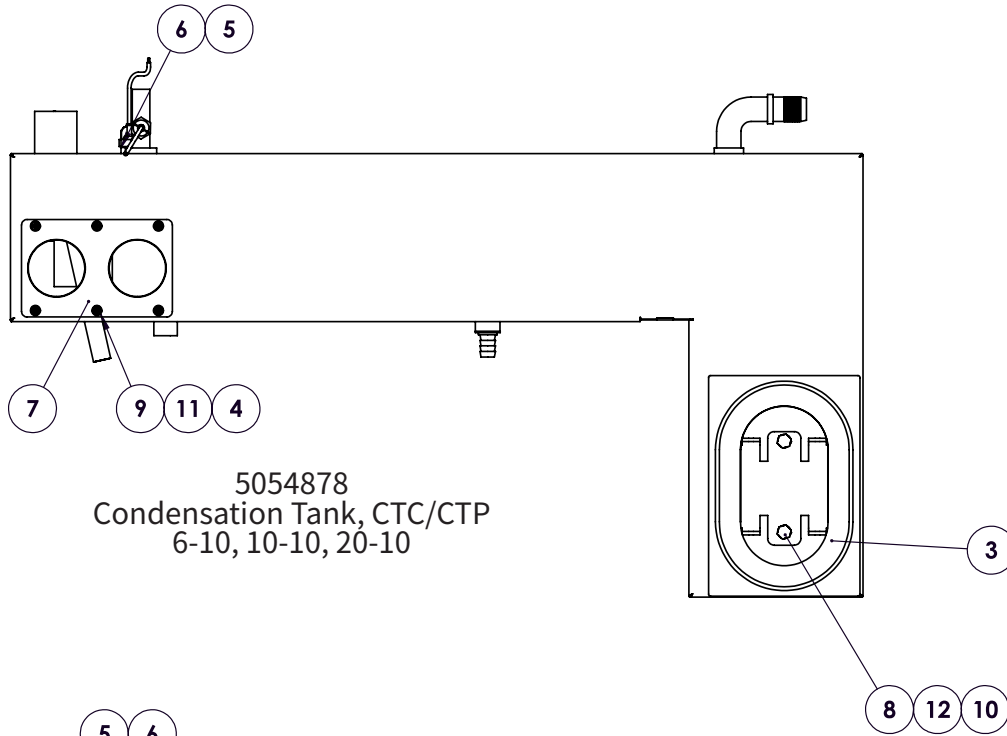
**PLUMBING PACKAGE AFTER 06/17:
10-20 SOLENOIDS, PUMPS, FANS**



PLUMBING PACKAGE AFTER 06/17: 10-20 SOLENOIDS, PUMPS, FANS PARTS LIST

Item	Part	Description	5020010	5020011
			Qty.	Qty.
1	5014930	Pipe Assembly, Exhaust Weldment	2	2
2	5015144	Assembly, Fan	1	1
3	5017278	Wire Assembly, All Models and Volts	1	1
4	5024963	Fitting, G 3/4 BSP by 3/4 NPT	2	2
5	FA-3599	Fan, Tubeaxial, 115V 70CFM	1	1
6	FA-36689	Fan, Axial, 115v, 172 x 150 x 55mm	1	1
7	MO-35262	Pump, Wash System, 110V	1	1
8	NU-22286	M4-0.7 Hex Nut 18-8	4	4
9	VA-38647	Valve, Solenoid, Triple Port	1	-
10	VA-38648	Valve, Solenoid, Triple Port	-	1
11	VA-39186	Valve, Solenoid, Double Port	1	-
12	VA-39187	Valve, Solenoid, Double Port	-	1
13	WS-22294	Washer, Flat M4 18-8 S/S	4	4
14	WS-22300	Washer, Split Lock	4	4

CTC/CTP CONDENSATION TANK

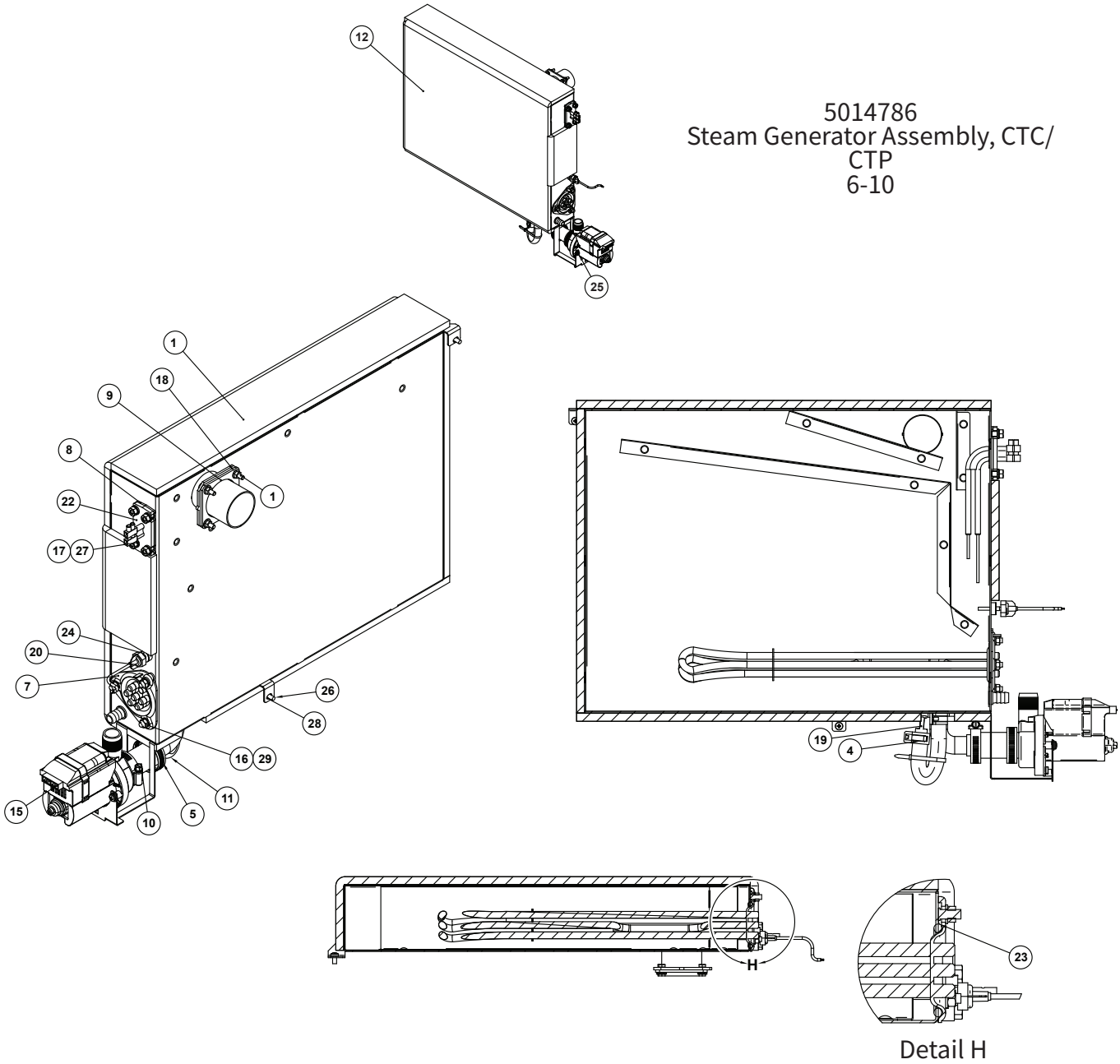


NOTE: Drain Hose (HO-35322) not shown. Attachment location is shown for reference.

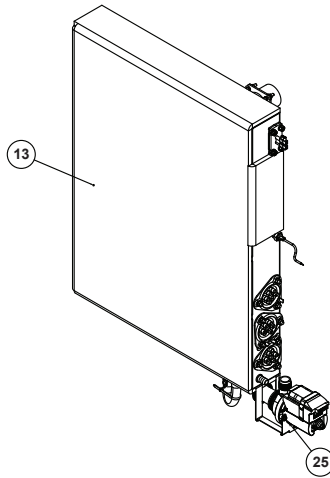
Item	Part	Description	5014877 Qty.	5014878 Qty.
3	GS-36193	Gasket, Silicone, Cond. Tank	1	1
4	NU-22286	M4-0.7 Hex Nut 18-8	6	6
5	PR-33724	Probe, Bypass, Thermocouple	2	2
6	SA-25061	CT, T-Couple Probe, ML Combi	2	2
7	SA-37149	Gasket, 3mm, Cond. Tank	1	1
8	SC-22924	HHCS, M6 x 20, with No Marking	2	2
9	WS-22294	Washer, Flat M4 18-8 S/S	6	6
10	WS-22297	Washer, Flat	2	2
11	WS-22300	Washer, Split Lock	6	6
12	WS-22302	Washer, Split Lock	2	2

STEAM GENERATOR KIT

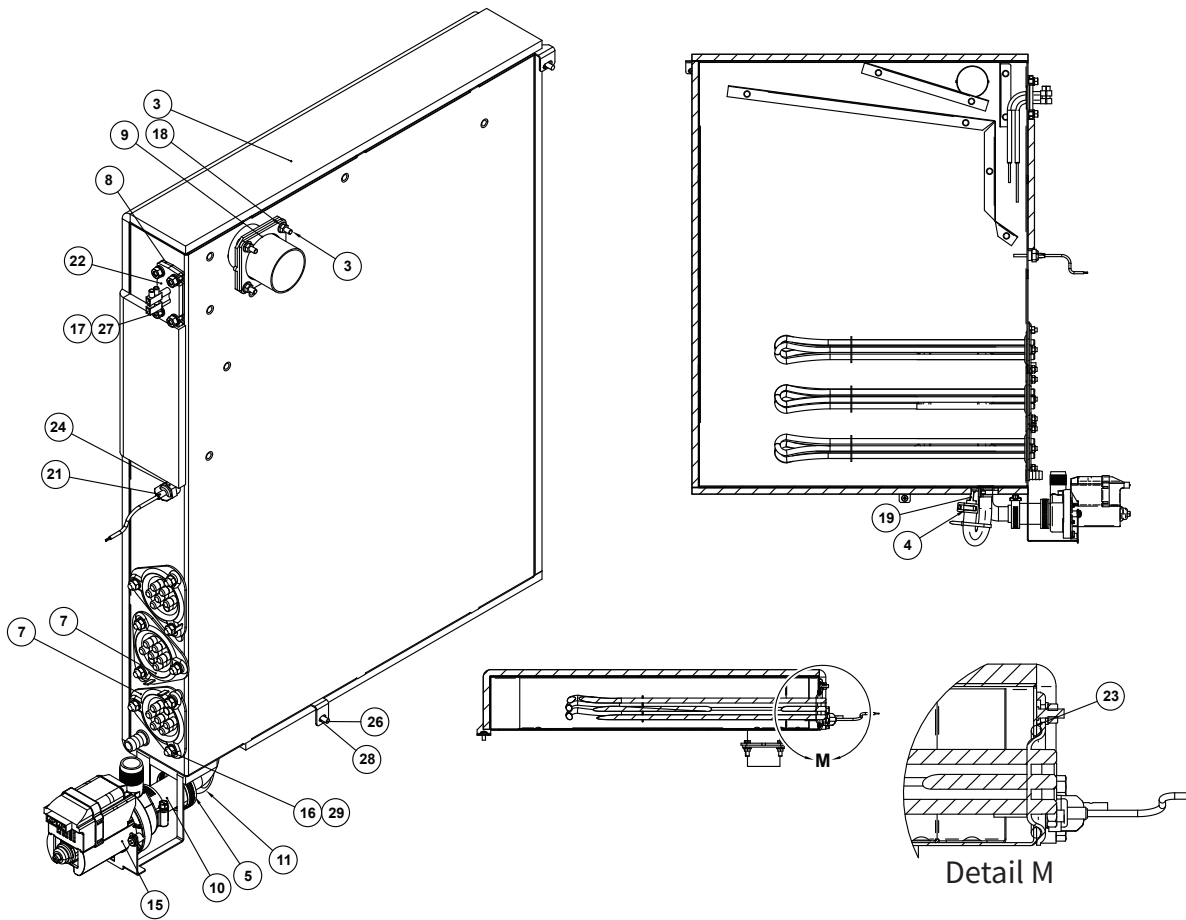
5014786
 Steam Generator Assembly, CTC/
 CTP
 6-10



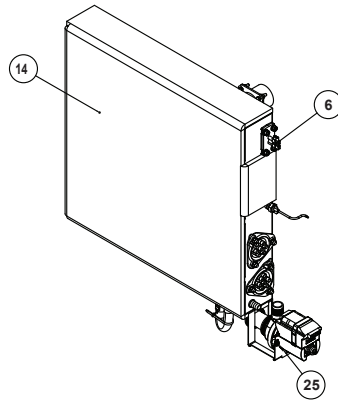
STEAM GENERATOR KIT



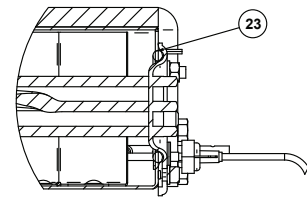
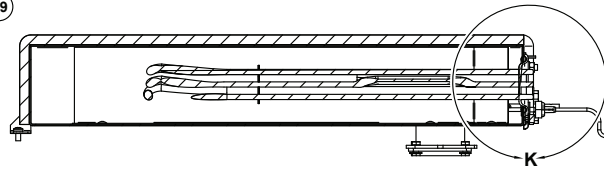
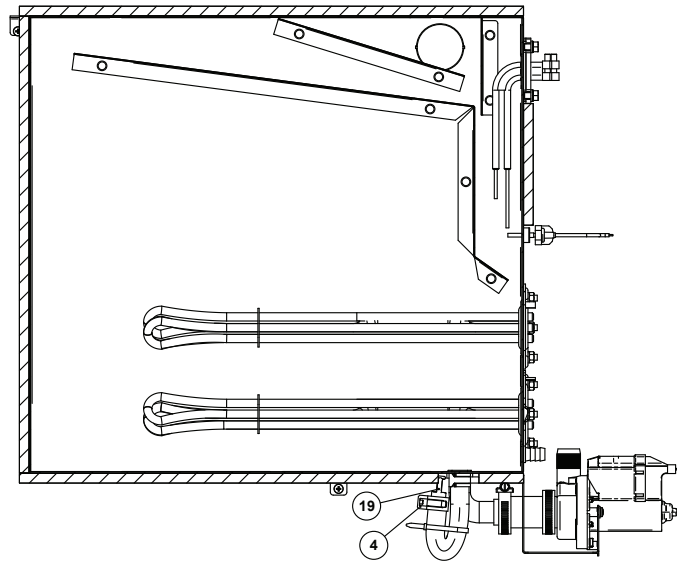
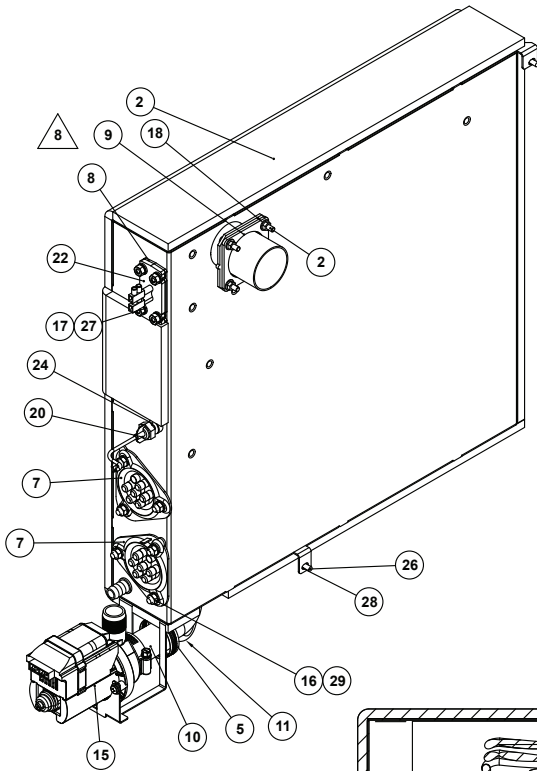
5014872
 Steam Generator Assembly, CTC/
 CTP
 10-20, 20-10, 20-20



STEAM GENERATOR KIT



5014678
 Steam Generator Assembly, CTC/
 CTP
 7-20

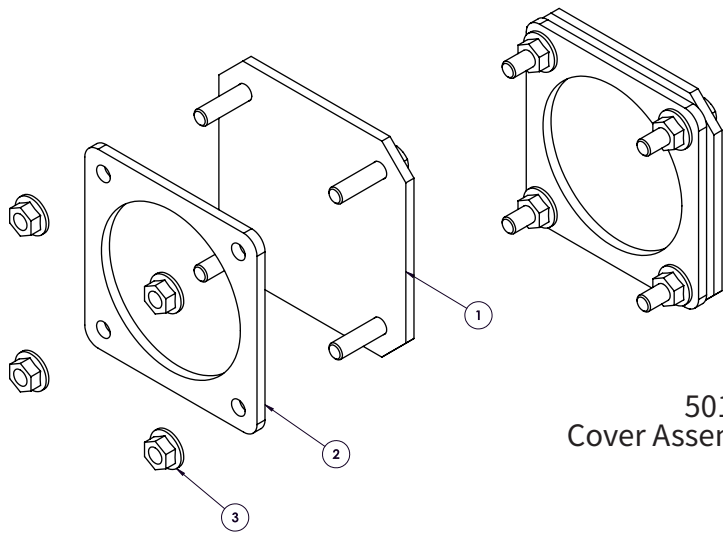


Detail K

STEAM GENERATOR KIT PARTS LIST

Item	Part	Description	5014786	5014780R	5014789	5014789R	5014872	5014872R
			Qty.	Qty.	Qty.	Qty.	Qty.	Qty.
1	5014787	Steam Gen Tank, Final Weldment	1	1	-	-	-	-
2	5014790	Steam Gen Tank, Final Weldment	-	-	1	1	-	-
3	5014873	Steam Gen Tank, Final Weldment	-	-	-	-	1	1
4	CM-28145	Clamp, Hose, 20mm	2	2	2	2	2	2
5	CM-36569	Clamp, Worm Gear	2	2	2	2	2	2
6	CR-3851	Connector, Probe Tip, Single	2	2	2	2	2	2
7	EL-33411	CT, Heater, Ml, Combi Immersion, 9kW, Flanged	1	1	2	2	3	3
8	GS-29243	Gasket, Water Level,probe	1	1	1	1	1	1
9	GS-38418	Gasket, Exh Tube, 50mm Inner	1	1	1	1	1	1
10	HO-27892_BOILERPUMP	Hose, 0.875" ID, Boiler Pump	1	1	1	1	1	1
11	HO-28790_DRAINPLUG	Drain Tube, 6"	1	1	1	1	1	1
12	IN-35226	Insulation Steam Generator	1	1	-	-	-	-
13	IN-35317	Insulation, Steam Generator	-	-	-	-	1	1
14	IN-35383	Insulation, Steam Generator	-	-	1	1	-	-
15	MO-35160	Pump, Wash System, 220V	1	1	1	1	1	1
16	NU-22291	M6-1.0 x Hex S/S Nut 18-8	3	3	6	6	9	9
17	NU-35844	Nut, Keps, M6 x 1.0, S/S	4	4	4	4	4	4
18	NU-38212	Nut, M5-0.8 Hex FLG-SERR CL8 S/S	4	4	4	4	4	4
19	PG-35252	Plug, 1/2" Drain Tube, Push-in	1	1	1	1	1	1
20	PR-33724	*Probe, Bypass, Thermocouple	1	1	1	1	-	-
21	PR-33751	*Probe, Bypass, Thermocouple	-	-	-	-	1	1
22	PR-34902	Probe, Level Of Water	1	1	1	1	1	1
23	SA-23932	O-Ring, 14mm x 2.5mm Viton	1	1	2	2	3	3
24	SA-25061	*CT, T-Couple Probe, ML Combi	1	1	1	1	1	1
25	SC-22307	Screw M4.8 x 16mm Phil Pan Head	2	2	2	2	2	2
26	SC-22766	Screw, M5 x 0.8 x 10mm Pan	2	2	2	2	2	2
27	WS-22297	Washer, Flat	4	4	4	4	4	4
28	WS-22301	Washer, M5 Split Lock	2	2	2	2	2	2
29	WS-22302	Washer, Split Lock	5	5	8	8	11	11

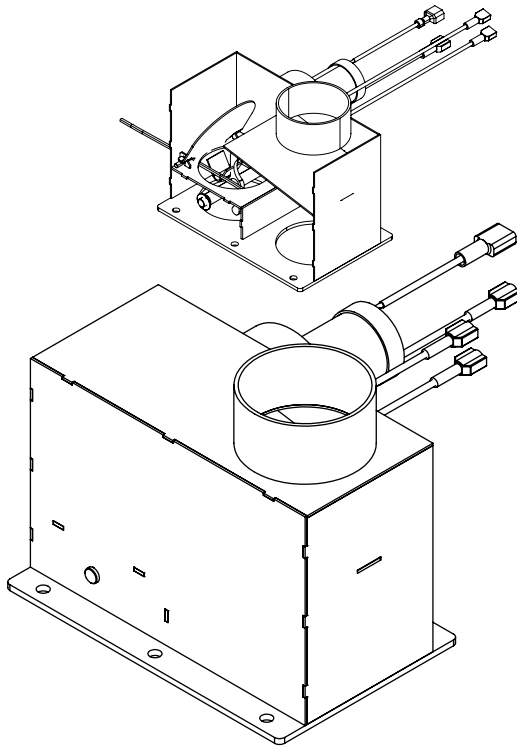
STEAM GENERATOR COVER ASSEMBLY



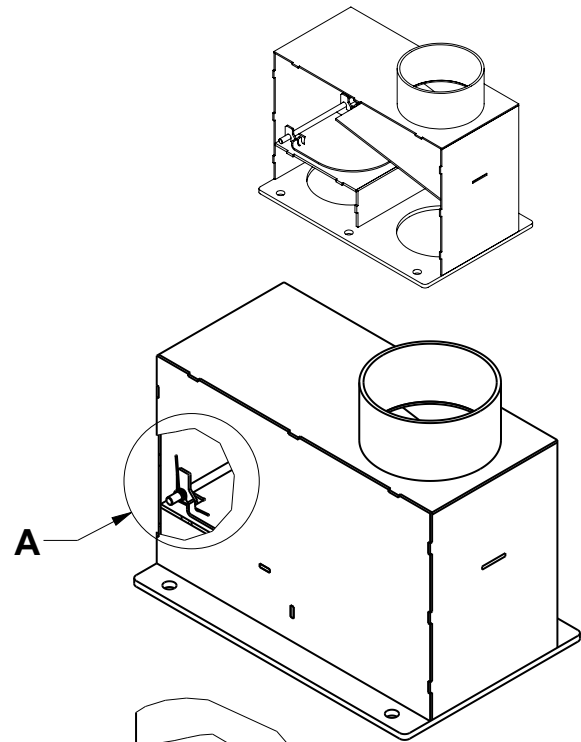
Item	Part	Description	Qty.
1	5015180	Plate, Rear Cover	1
2	GS-38418	Gasket, Exhaust Tube, 50mm Inner	1
3	NU-38212	Nut, M5-0.8 Hex FLG-SERR CL8 S/S	4

5015331
Cover Assembly, CTC/CTP

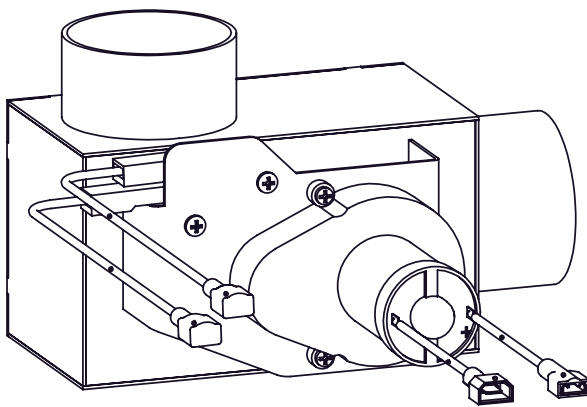
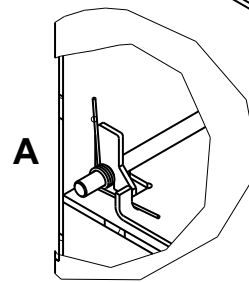
BROWNING CONDENSER RELIEF VALVES



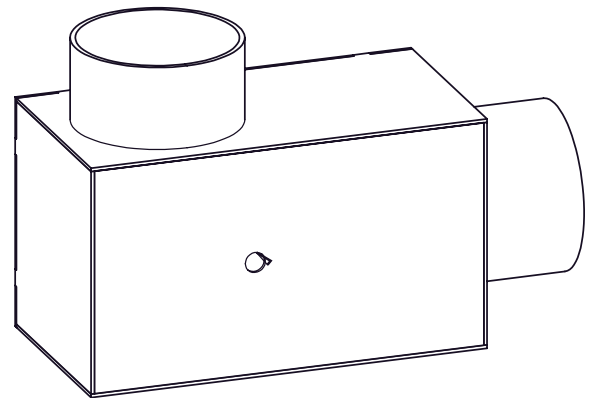
VA-37147R
Upper Relief Valve, CTP



VA-37148
Upper Relief Valve,
CTC

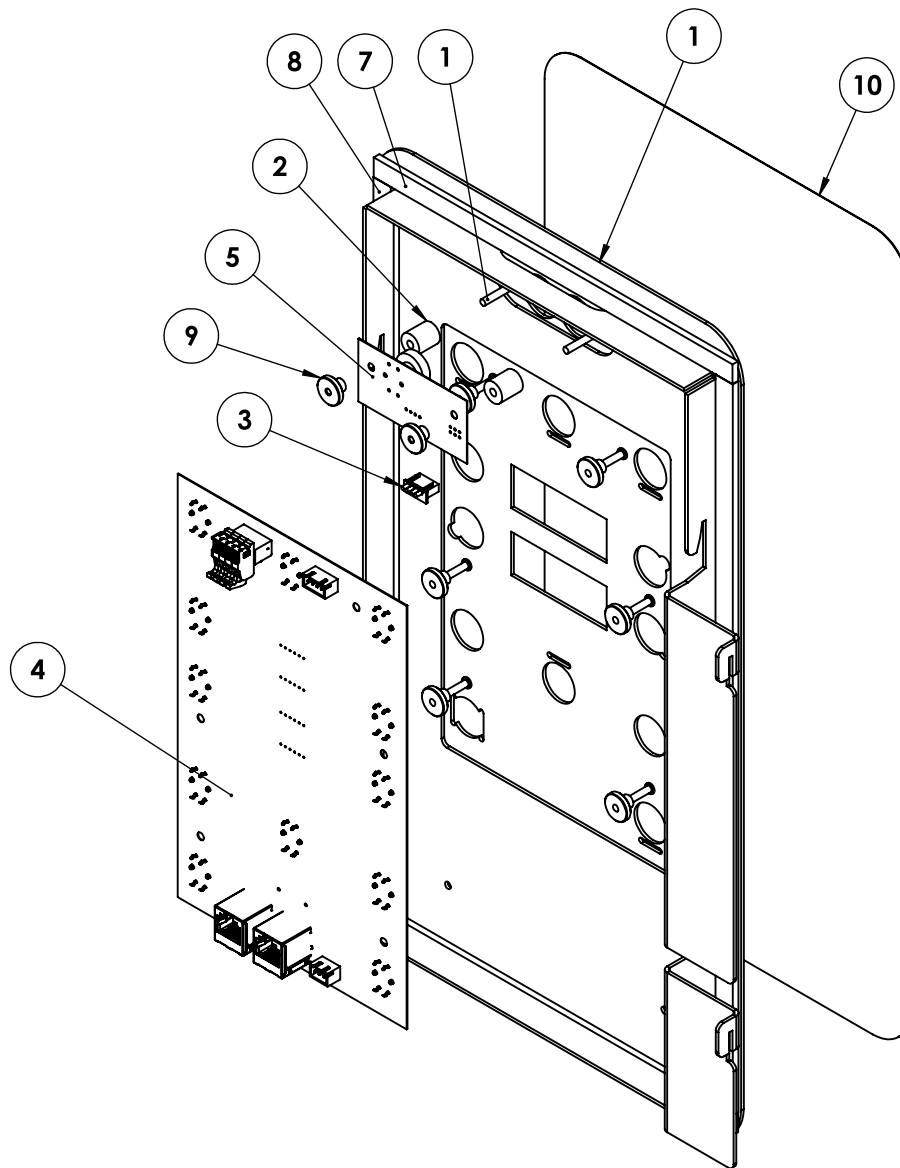


VA-35199
Lower Relief Valve, CTP



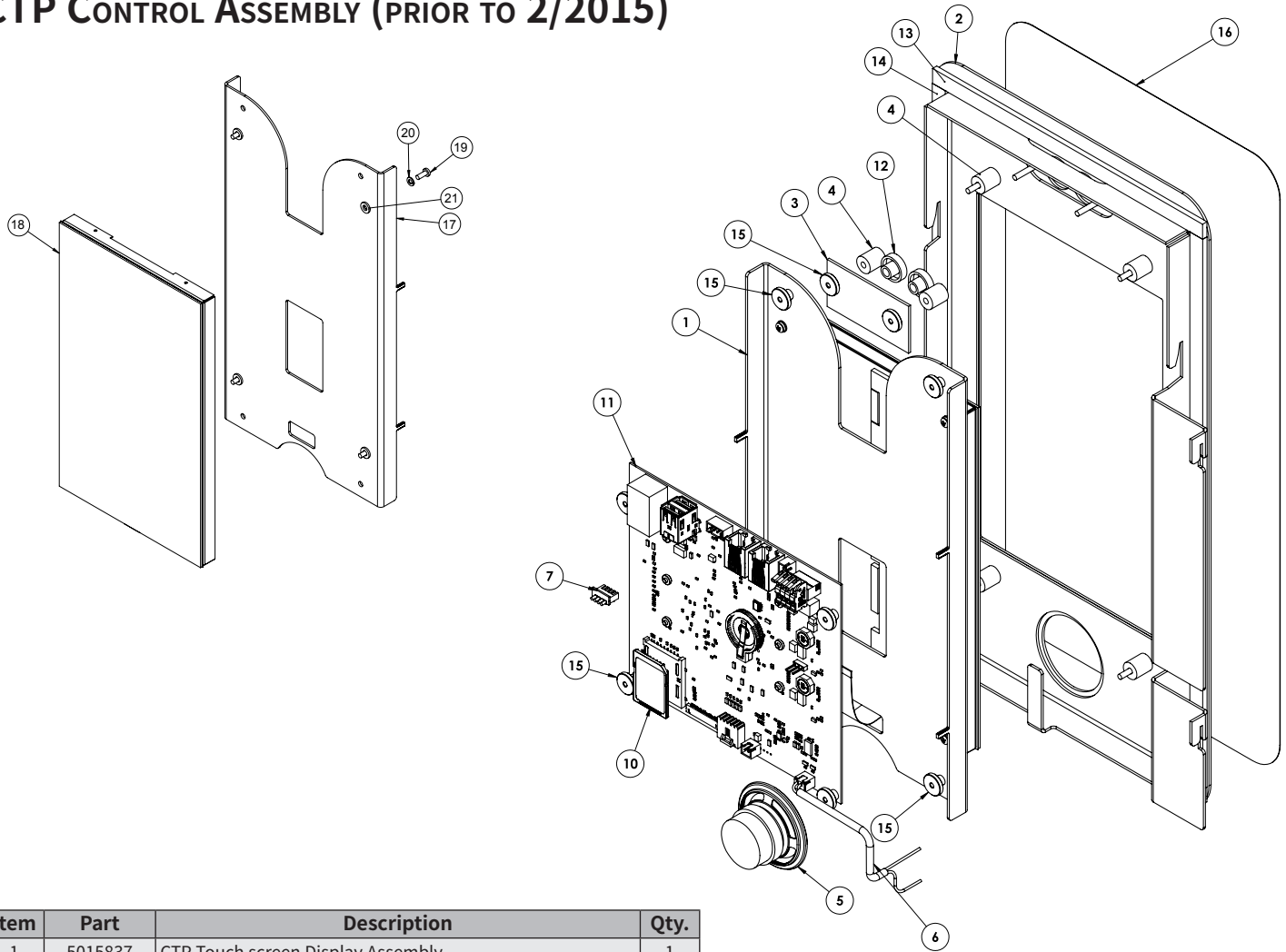
VA-35204
Lower Relief Valve,
CTC

CTC CONTROL ASSEMBLY



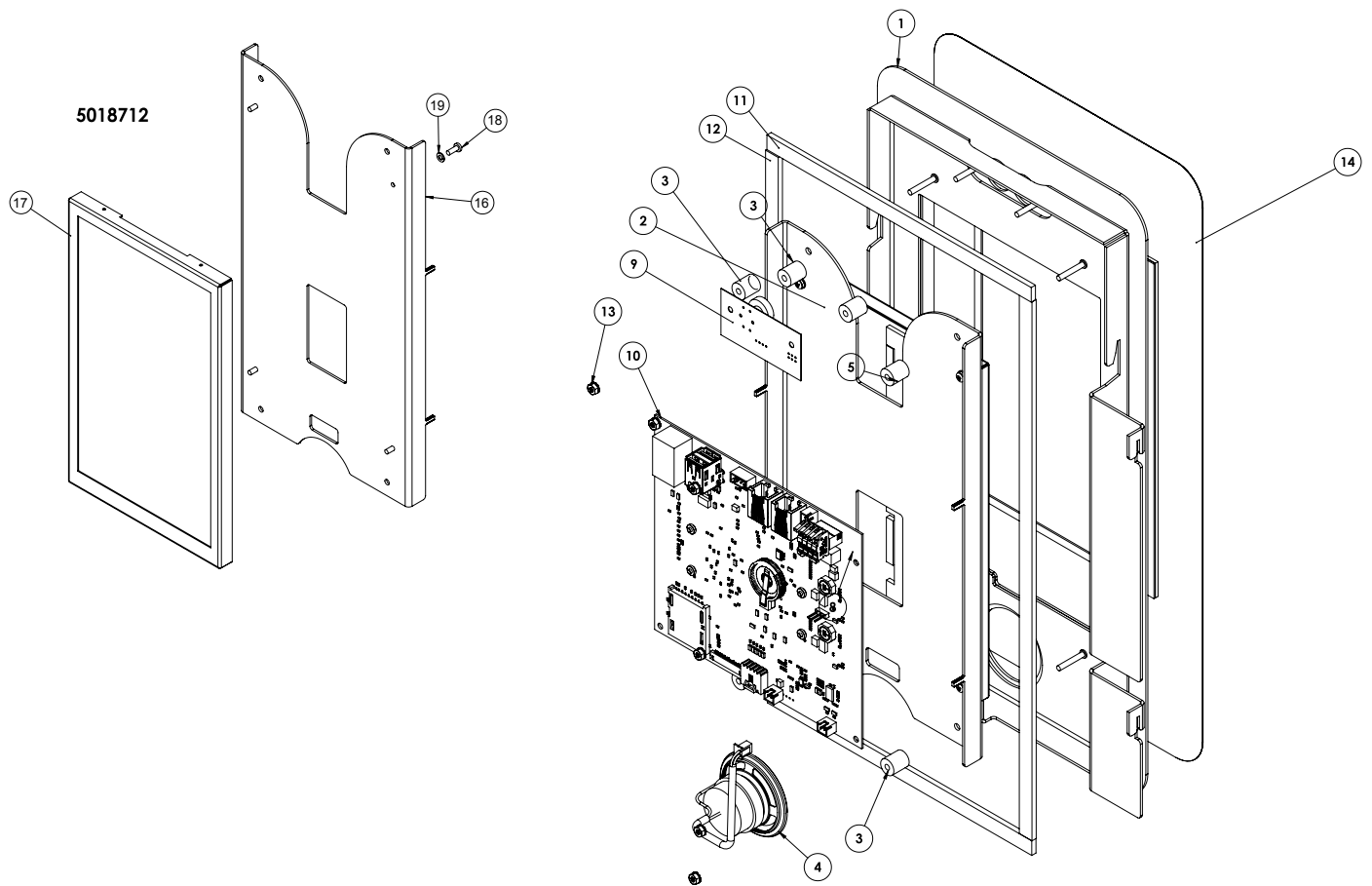
Item	Part	Description	Qty.
1	5016209	Display Board Housing	1
2	BU-25094	Bushing, Brass	8
3	CB-34917	Cable, ON/OFF to Board	1
4	CC-35772	Control Display Board, CTC	1
5	CC-36871	Board, On/OFF (after 9/2014)	1
	BA-34778	Board, ON/OFF (prior to 9/2014)	1
6	CP-25405	Cap, Button	12
7	GS-23622	Gasket Adhesive	2
8	GS-23622	Gasket Adhesive	2
9	*NU-35846	Nut, Keps, M3 x 0.5, S/S	8
10	PE-36785	Panel Overlay, CTC For ON/OFF/LED (after 9/2014)	1
	PE-36358	Panel Overlay, CTC For Flush Power Switch (prior to 9/2014)	1

CTP CONTROL ASSEMBLY (PRIOR TO 2/2015)



Item	Part	Description	Qty.
1	5015837	CTP Touch screen Display Assembly	1
2	5015960	Display Board Housing	1
3	BA-34778	Board, ON/OFF, CTP	1
4	BU-25094	Bushing, Brass	6
5	BZ-34675	Buzzer Speaker, 8 Ohm	1
6	CB-34914	Cable, Speaker to Board	1
7	CB-34917	Cable, ON/OFF to Board	1
8	CB-35711	Cable, LCD to User Interface Board	1
9	CB-35712	Cable, Backlight LCD to User Interface Board	1
10	CC-36657	2GB SD Card, Programmed	1
11	CC-36916	Interface Board	1
12	CP-25405	Cap, Button	2
13	GS-23622	Gasket Adhesive	2
14	GS-23622	Gasket Adhesive	2
15	NU-25095	Knurled M3	10
16	PE-35184	Panel Overlay, CTP For Flush Power Switch	1
17	1014159	Display Mounting Bracket	1
18	BA-35291	Board, LCD Display, CTP	1
19	SC-22268	Screw, M3 x 0.5mm Pan	4
20	WS-22299	Washers, M3, Split Lock	4
21	WS-26012	Washer, Nylon, Flat	4

CTP CONTROL ASSEMBLY (2/2015 TO 9/2015)

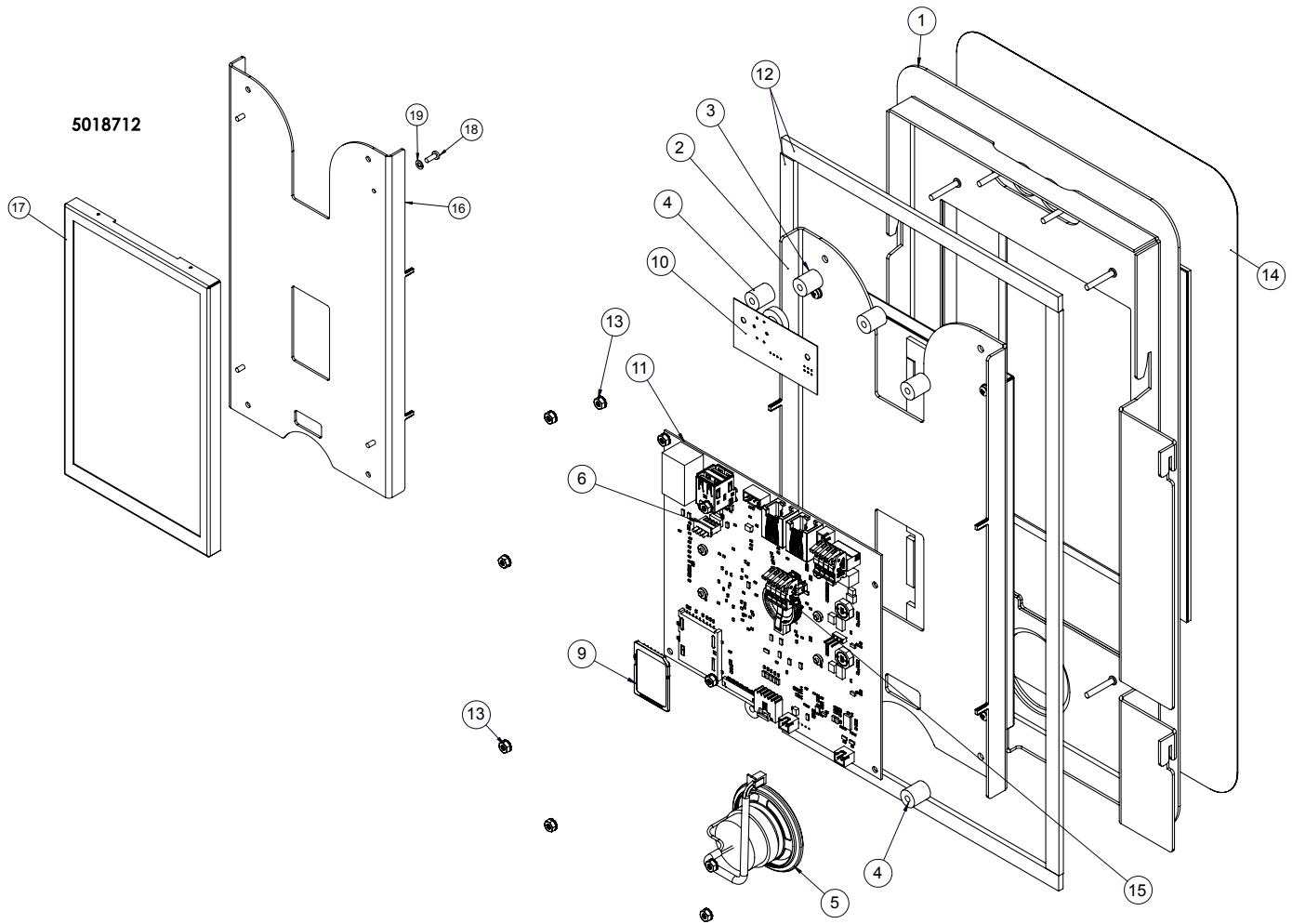


Item	Part	Description	Qty.
1	*5015960	Display Board Housing	1
2	*5018712	Control Display Assembly	1
3	*BU-25094	Bushing, Brass	6
4	BZ-34675	Buzzer Speaker, 8 Ohm	1
5	CB-34917	Cable, ON/OFF to Board	1
6	CB-35712	Cable, Back Light	1
7	CB-38234	Cable, LVDs	1
8	CC-36657	2GB SD Card w/ Firmware	1
9	*CC-36871	Board, ON/OFF Touch	1
10	CC-36916	Interface Board	1
11	*GS-23622	Gasket Adhesive, 7.83	2
12	*GS-23622	Gasket Adhesive, 13.82	2
13	*NU-35846	Nut, Keps, M3 x 0.5, S/S	10
14	*PE-37086	Panel Overlay, CTP For ON/OFF/LED	1
15	°1014159	Display Mounting Bracket	1
16	°BA-37087	Board, LCD Display, 9" Touch	1
17	°SC-22268	Screw, M3 x 0.5 x 8mm Pan	4
18	°WS-22299	Washers, M3, Split Lock	4

*Items included in CTP Touch Control Display Board Assembly Service Kit 5018711R

°Items included in CTP Touch Control Display Kit 5018712

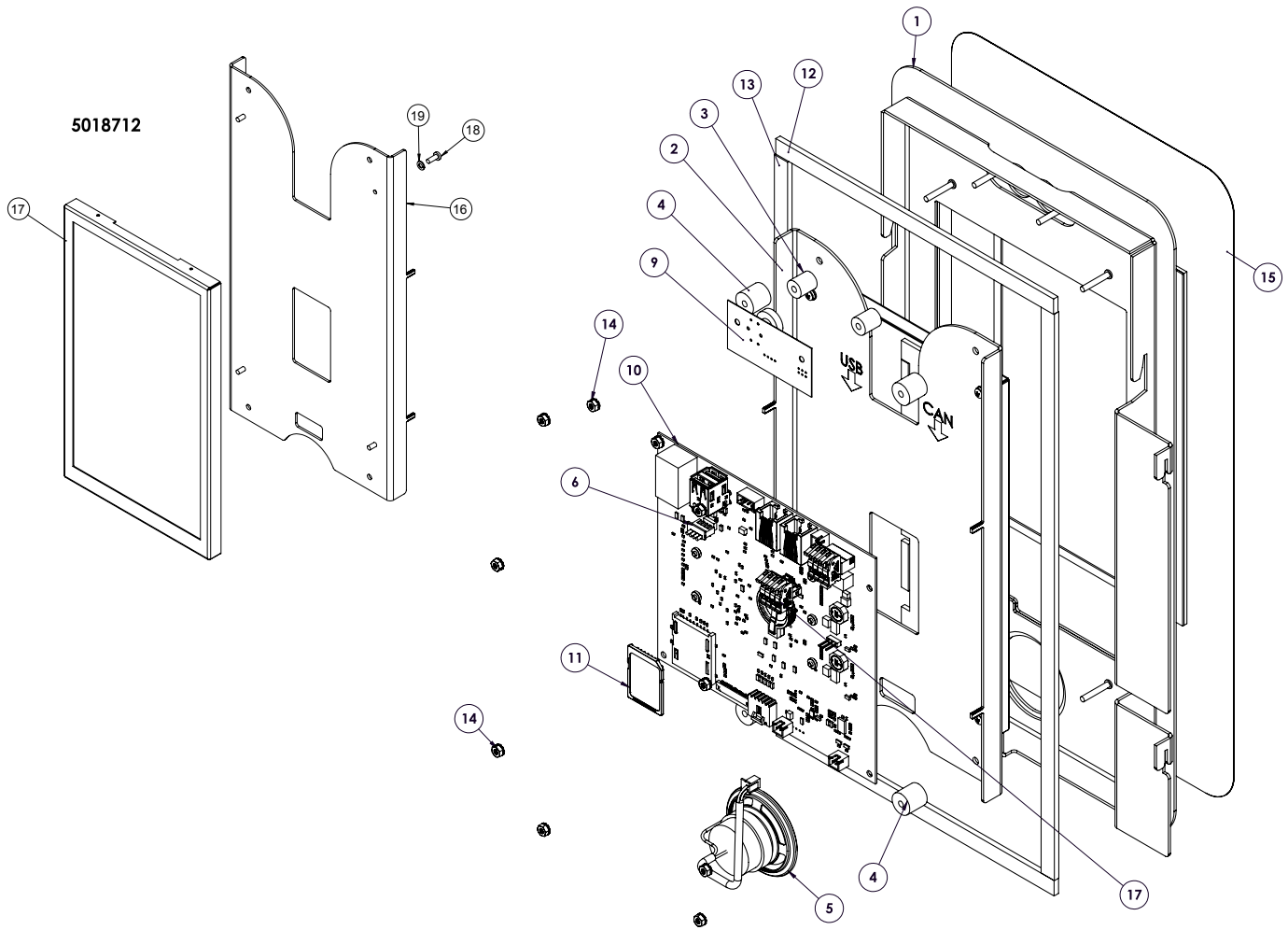
CTP CONTROL ASSEMBLY (9/2015 TO 9/2016)



Item	Part	Description	Qty.
1	*5015960	Display Board, Weldment	1
2	*5018712	Control Display Assembly	1
3	*BU-25094	Bushing, Brass, Distance	2
4	*BU-38354	Bushing, Teflon, Spacer	4
5	BZ-34675	Buzzer, Speaker, With Cable	1
6	CB-34917	Cable, ON/OFF Board, Touch	1
7	CB-35712	Cable, Back Light	1
8	CB-38234	Cable, LVDs	1
9	CC-36657	Programmed Board	1
10	*CC-36871	Board, ON/OFF Touch	1
11	CC-37470	Board, Interface Circuit Board	1
12	*GS-23622	Gasket, Adhesive, 7.83 And 13.82	2
13	*NU-35846	Nut, Keps, M3 x 0.5, S/S	10
14	*PE-37086	Panel Overlay, CTP 2014, ON/OFF/LED	1
15	TM-34881	Terminal, 3.5mm Pluggable, 4 Pole	1
16	°1014159	Display Mounting Bracket	1
17	°BA-37087	Board, LCD Display, 9" Touch	1
18	°SC-22268	Screw, M3 x 0.5 x 8mm Pan	4
19	°WS-22299	Washers, M3, Split Lock	4

*Items included in CTP touch screen and interface board service kit 5018711R
 °Items included in CTP touch control display service kit 5018712

CTP CONTROL ASSEMBLY (9/2016 TO 12/2016)

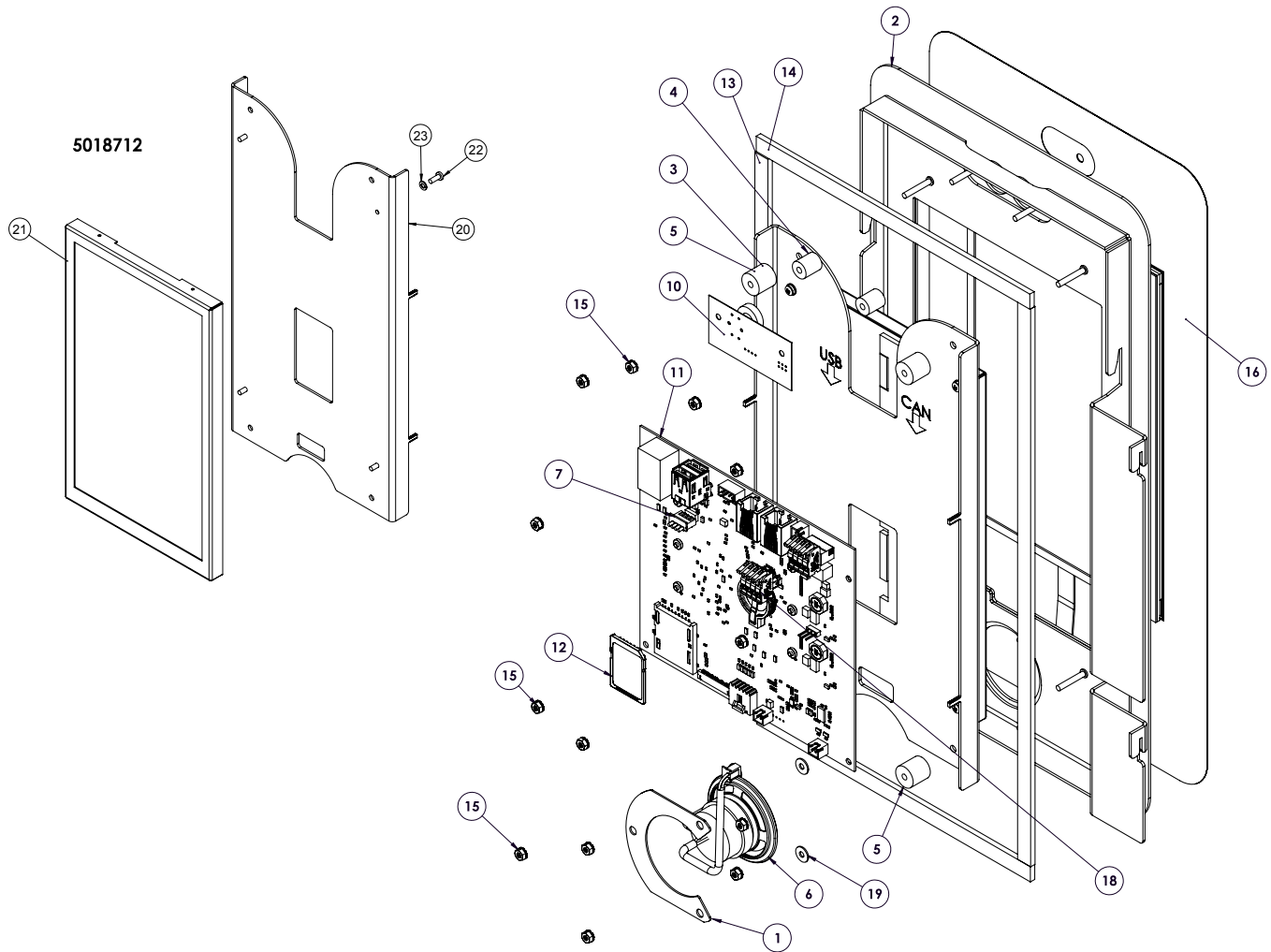


Item	Part	Description	Qty.
1	*5015960	Display Board, Weldment	1
2	*5018712	Control Display Assembly	1
3	*BU-25094	Bushing, Brass, Distance	2
4	*BU-38354	Bushing, Teflon, Spacer	4
5	BZ-34675	Buzzer, Speaker, With Cable	1
6	CB-34917	Cable, ON/OFF Board, Touch	1
7	CB-35712	Cable, Back Light	1
8	CB-38234	Cable, LVDs	1
9	*CC-36871	Board, On/off Touch	1
10	CC-37470	Board, Interface Circuit Board	1
11	CC-38391	Programmed Board	1
12	*GS-23622_7.83	Gasket, Adhesive	2
13	*GS-23622_13.82	Gasket, Adhesive	2
14	*NU-35846	Nut, Keps, M3 x 0.5, S/S	10
15	*PE-37086	Panel Overlay, CTP 2014, On/off/led	1
16	TA-36282	Tape, Polymide, 2.75"	1
17	TM-34881	Terminal, 3.5mm Pluggable, 4 Pole	1
18	°1014159	Display Mounting Bracket	1
19	°BA-37087	Board, LCD Display, 9" Touch	1
20	°SC-22268	Screw, M3 x 0.5 x 8mm Pan	4
21	°WS-22299	Washers, M3, Split Lock	4

*Items included in CTP touch screen and interface board service kit 5018711R

°Items included in CTP touch control display service kit 5018712

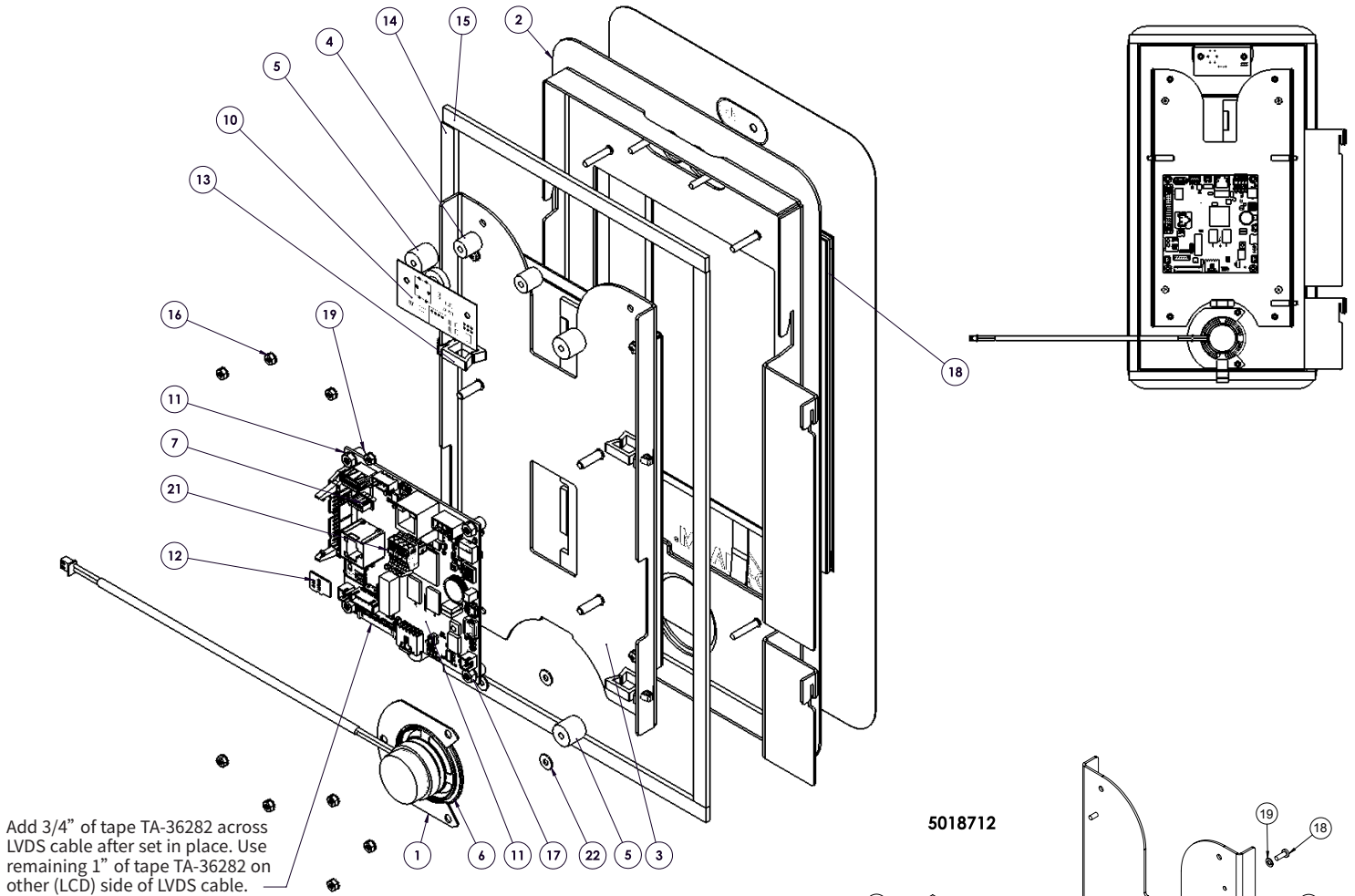
CTP CONTROL ASSEMBLY (12/2016 TO 04/2017)



Item	Part	Description	Qty.
1	1022681	Plate, Retaining, Speaker, Combi	1
2	5015960	Display Board, Weldment	1
3	5018712	Control Display Assembly	1
4	BU-25094	Bushing, CT, ML, Brass, Distance	2
5	BU-38354	Bushing, Teflon, Spacer	4
6	BZ-34675	Buzzer, Speaker, With Cable	1
7	CB-34917	Cable, ON-OFF/Board, Touch	1
8	*CB-35712	Cable, Backlight, Hitachi LCD To User Interface Board	1
9	*CB-38234	Cable, LVDS, Twisted Pair	1
10	CC-36871	Board, ON/OFF Touch, CT, CTP, CTC	1
11	CC-37470	Board, Interface Circuit Board	1
12	CC-38391	Programmed Board	1
13	GS-23622_13.82	Gasket, Adhesive	2
14	GS-23622_7.83	Gasket, Adhesive	2
15	NU-35846	Nut, Keps, M3 x 0.5, S/S	13
16	PE-37086	CT-PROformance, On/OFF/LED	1
17	TA-36282	Tape, Polymide, 2.75"	1
18	*TM-34881	Terminal, 3.5mm Pluggable, 4 Pole	1
19	WS-22293	Washer, Flat	3
20	1014159	Display Mounting Bracket, 9"	1
21	BA-37087	Board, LCD Display, 9" Touch	1
22	SC-22268	Screw, M3 x 0.5 x 8mm Pan	4
23	WS-22299	Washer, M3 Split Lock	4

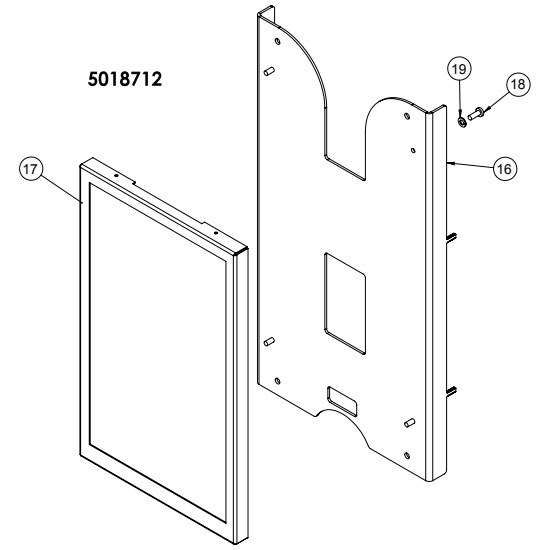
* Not shown

CTP CONTROL ASSEMBLY (AFTER 04/2017)

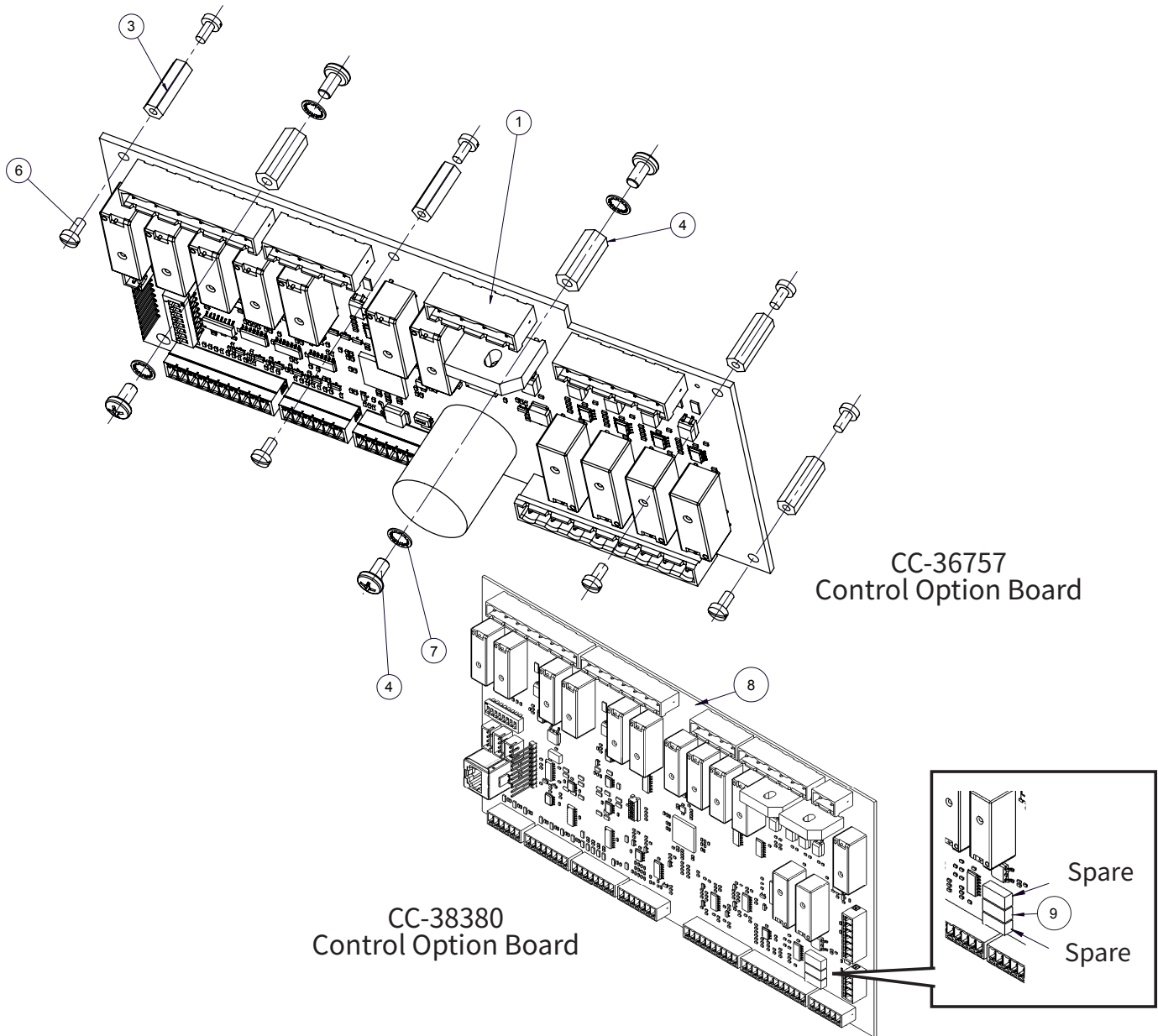


Item	Part	Description	Qty.
1	1022681	Plate, Speaker	1
2	5015960	Display Board, Weldment	1
3	5023199	Control Display Assembly	1
4	BU-25094	Bushing,* Brass	2
5	BU-38354	Bushing, Teflon, Spacer	4
6	BZ-34675	Buzzer, Speaker, w/ 10" Cable	1
7	CB-34917	Cable, On/OFF Board	1
8	CB-35712	Cable, Backlight, to User Interface Board	1
9	CB-38778	Cable, LVDS, Twisted Pair	1
10	CC-36871	Board, On/OFF, One Button	1
11	CC-38781	Board, Interface Circuit Board	1
12	CC-38784	Control, Card w/ Program	1
13	CL-38422	Push-in Wire Retainer	3
14	GS-23622_13.82	Gasket, Adhesive	2
15	GS-23622_7.83	Gasket, Adhesive	2
16	NU-35846	Nut, Keps, M3 x 0.5, S/S	9
17	NU-36319	Nut, M4, Keps, Zinc Plated	4
18	PE-37086	CT PROformance, ON/OFF LED	1
19	SP-38839	Spacer, M4, 4 ID x 6 OD x 6mm L	4
20	TA-36282	Tape, Polyimide, 2.75"	1
21	TM-34881	Terminal, 3.5mm Pluggable, 4 Pole	1
22	WS-22293	Washer, Flat	3

* Not shown

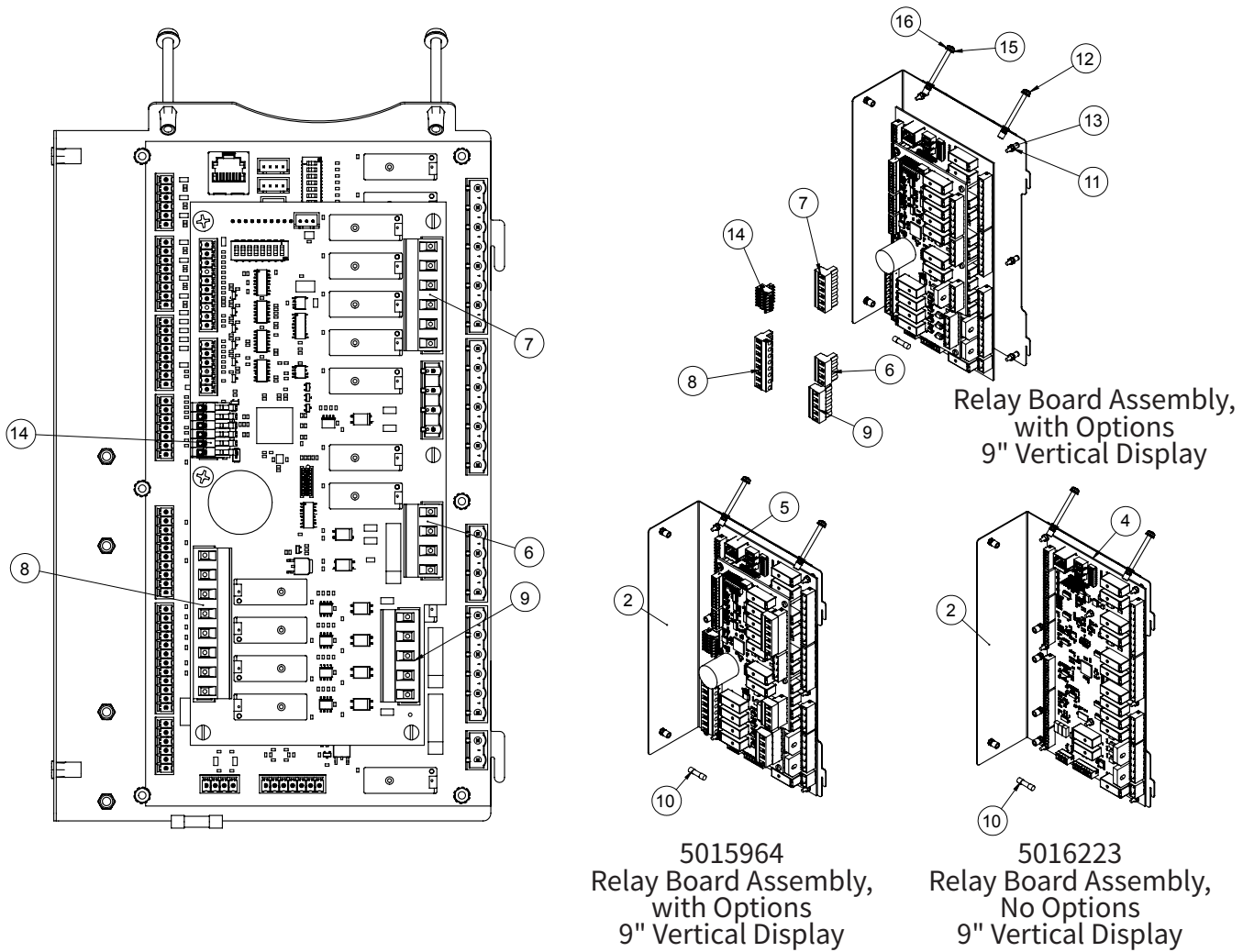


CTP CONTROL BOARDS



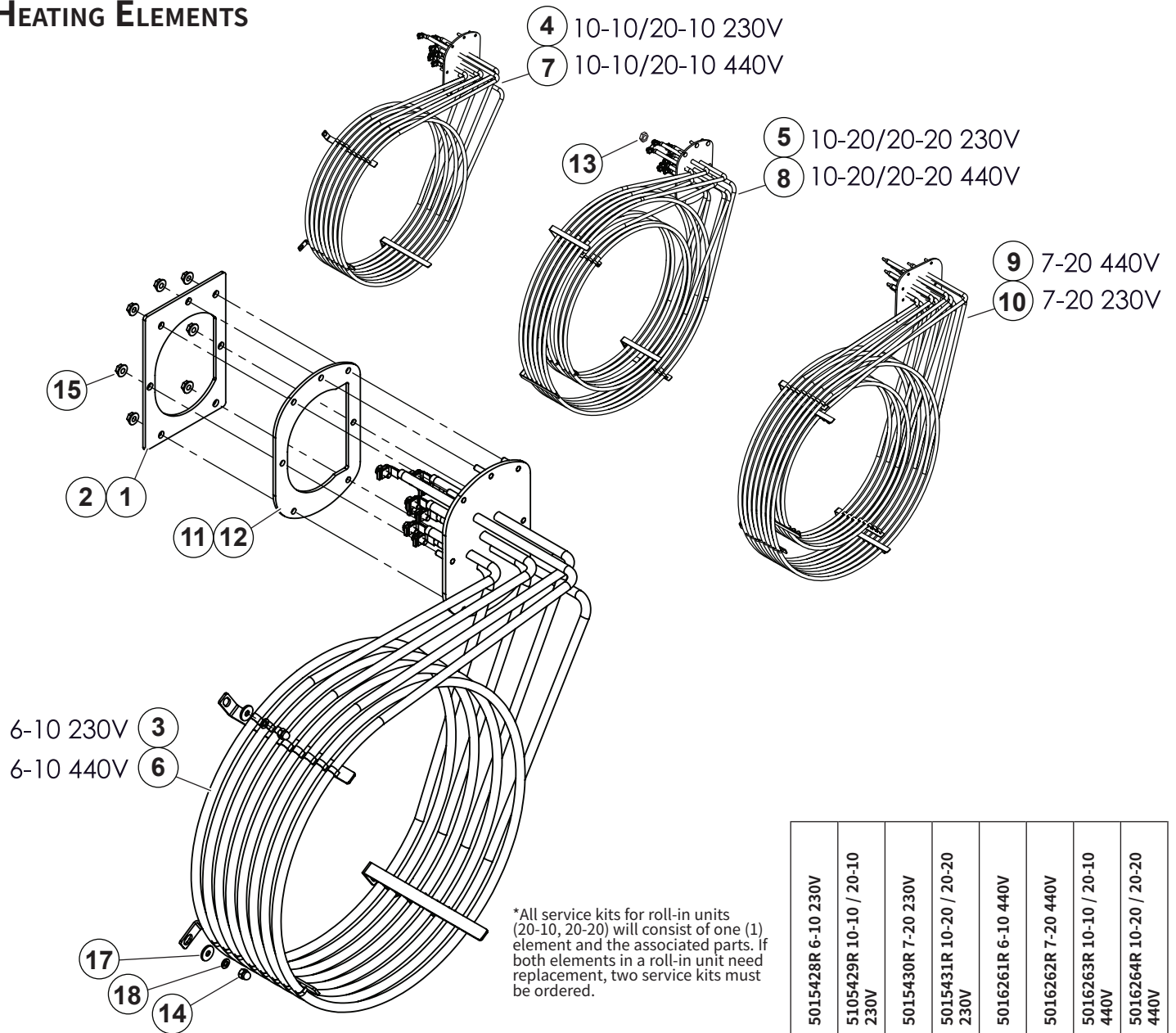
Item	Part	Description	Qty.
	5018993	Kit, Control Board, Option Board Stack	1
	5018994	Kit, Board, Option Circuit Board	1
1	BA-36653	Board, Option / Main Control	1
2	FW-38038	Firmware, V1.01 CTP Option	1
3	NU-36729	Nut, Threaded Hex Rod, M3	4
4	NU-36730	Nut, Threaded Hex Rod, M4	2
5	SC-22271	Screw, M4 x 0.7 x 6mm Pan	4
6	SC-36728	Screw, Shoulder, M3 Slot	8
7	WS-36731	Washer, M4, Lock	4
8	CC-38380	Board, Control Circuit Board With Firmware	1
9	FU-37018	Fuse, 500mA, Combi Control Board	3
	5022187	Service Kit, three 500mA Fuses	1

CTP CONTROL BOARDS



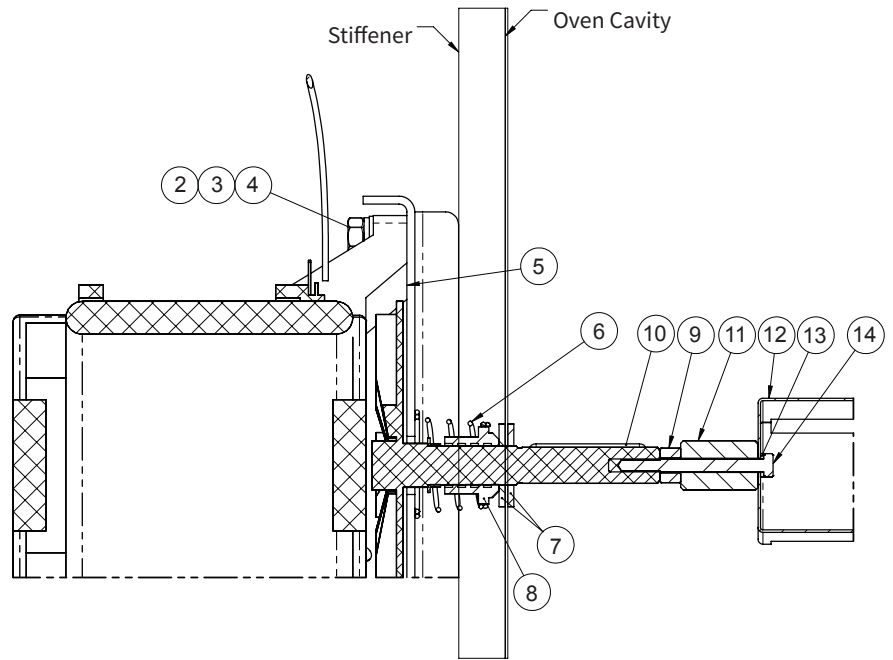
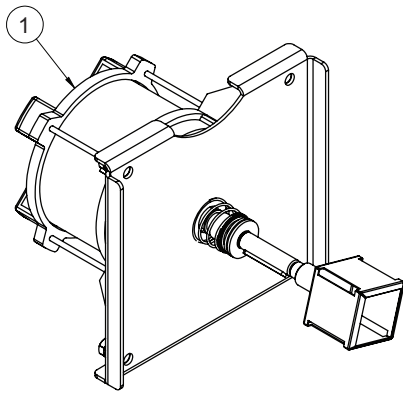
Item	Part	Description	5015964	5016223
1	-	Wiring Assembly	1	-
2	5019757	Spot Weld/Stud Weld	1	1
3	CB-35778	CAN/Ethernet Cable - 1.5' - Straight Thru - RJ45	1	1
4	CC-38380	Board, Control Circuit Board	-	1
5	CC-38382	Programmed Board Assembly, Control	1	-
6	CR-35760	Connector, 4 Terminal	1	-
7	CR-35761	Connector, 6 Terminal	1	-
8	CR-35763	Connector, 8 Terminal	1	-
9	CR-36426	Connector, 5 terminal	1	-
10	FU-36761	Fuse, 5 x 20mm, Slow Blo, .315 Amp, 250V	1	1
11	NU-35846	Nut, Keps, M3 x 0.5, S/S	6	8
12	SC-29261	Screw, M4 x 0.7 x 50mm Pan	2	2
13	SP-36960	Spacer, Unthreaded	8	8
14	TM-34884	Terminal, 3.5mm Pluggable, 6 Pole	1	-
15	WS-22294	Washer, Flat M4 18-8 S/S	2	2
16	WS-22300	Washer, Split Lock	2	2

HEATING ELEMENTS



Item	Part	Description	Qty.	Qty.	Qty.	Qty.	Qty.	Qty.	Qty.
1	1015988	Plate, Stiffener, Small	1	1	1	-	1	1	1
2	1015989	Plate, Stiffener, Large	-	-	-	1	-	-	1
3	EL-35515	Element, Coiled Tubular, 12.3kW	1	-	-	-	-	-	-
4	EL-35516	Element, Coiled Tubular, 22.1kW	-	1	-	-	-	-	-
5	EL-35518	Element, Coiled, 38.5kW	-	-	-	1	-	-	-
6	EL-36328	Element, Coiled Tubular, 12.3kW	-	-	-	-	1	-	-
7	EL-36329	Element, Coiled Tubular, 22.1kW	-	-	-	-	-	1	-
8	EL-36331	Element, Coiled, 38.5kW	-	-	-	-	-	-	1
9	EL-38367	Element, Coiled, 440-480V	-	-	-	-	1	-	-
10	EL-38500	Element, Coiled, 240V	-	-	1	-	-	-	-
11	GS-35164	Gasket, Heat, Cavity In	-	-	-	1	-	-	1
12	GS-35165	Gasket, Heat, Cavity In	1	1	1	-	1	1	-
13	NU-22286	M4-0.7 Hex Nut 18-8	-	-	-	28	-	-	28
14	NU-35233	Nut, M5 Domed	3	3	3	3	3	3	3
15	NU-38212	Nut, M5-0.8 Hex FLG-SERR CL8 S/S	7	7	7	7	7	7	7
16	SRV-20051	Service Doc (Not shown)	1	1	1	1	1	1	1
17	WS-22296	Washer, M5 x 15mm, 18-8 S/S	3	3	3	3	3	3	3
18	WS-22301	Washer, M5 Split Lock S/S 18-8 DIN # 127B	3	3	3	3	3	3	3

CONVECTION MOTOR PRIOR TO 03/17



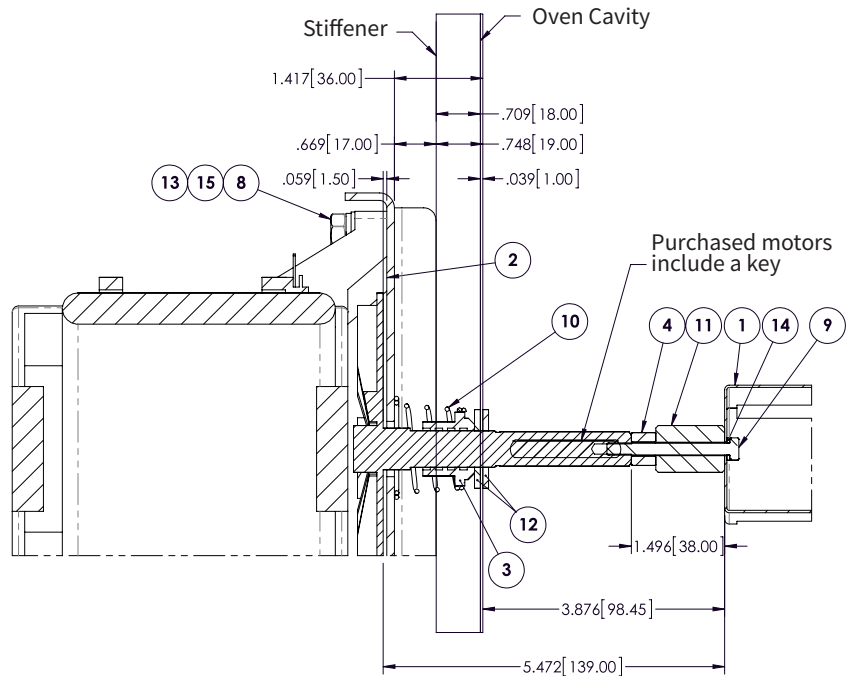
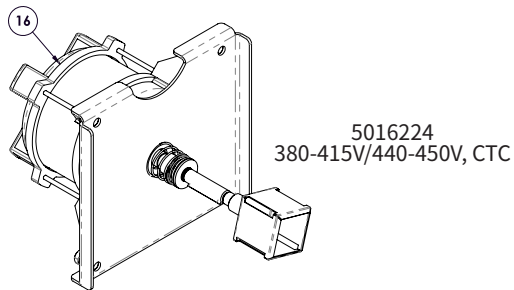
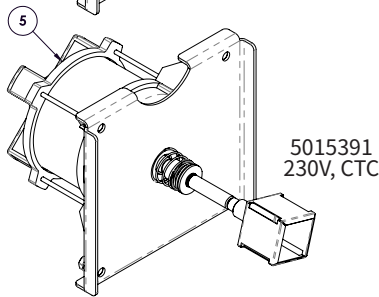
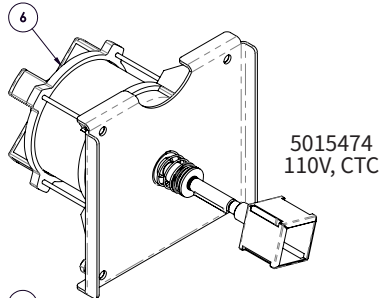
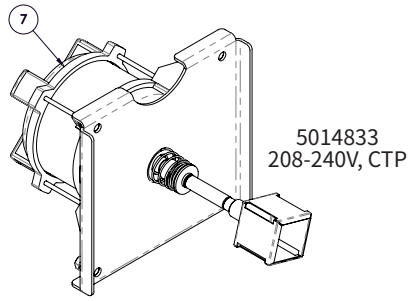
Item	Description	Part	SERVICE KITS				
			5014833R PROtouch™	5015474R Classic 120V	5015391R Classic 200-240V	5016224R Classic 380-415V	5016224R Classic 440-480V
1*	Motor, 110V, 370W	MO-34255	-	1	-	-	-
	Motor, 208-240V	MO-34857	1	-	-	-	-
	Motor, 230V, 400W	MO-33725	-	-	1	-	-
	Motor, 380-480V	MO-33589	-	-	-	1	1
2	Nut, M8-1.25, 18-8, Hex	NU-22292	4	4	4	4	4
3	Washer, M8, 18-8	WS-22298	4	4	4	4	4
4	Washer, M8 Split Lock S/S 18-8	WS-22303	4	4	4	4	4
5	Panel, Baffle, Motor	1014649	1	1	1	1	1
6	Spring	SD-23939	1	1	1	1	1
7	Washer, Motor Shaft Seal	WS-22217	2	2	2	2	2
8	Bushing, CT, 30D, Motor Shaft	BU-22213	1	1	1	1	1
9	Bushing, 0.525OD x 0.236ID	BU-29363	1	1	1	1	1
Parts not included in Service Kit:							
10	Keyway, Motor	MO-22191	1	1	1	1	1
11	Spacer, Fan to Disintegration Box	SP-35883	1	1	1	1	1
12	Disintegration Box	1001204	1	1	1	1	1
13	Washer, M5 Split Lock S/S 18-8	WS-22301	1	1	1	1	1
14	Screw, M5 x 0.8 x 50mm Hex	SC-35991	1	1	1	1	1

*Motors Available only in kits

Parts not included in Service Kit (not shown):

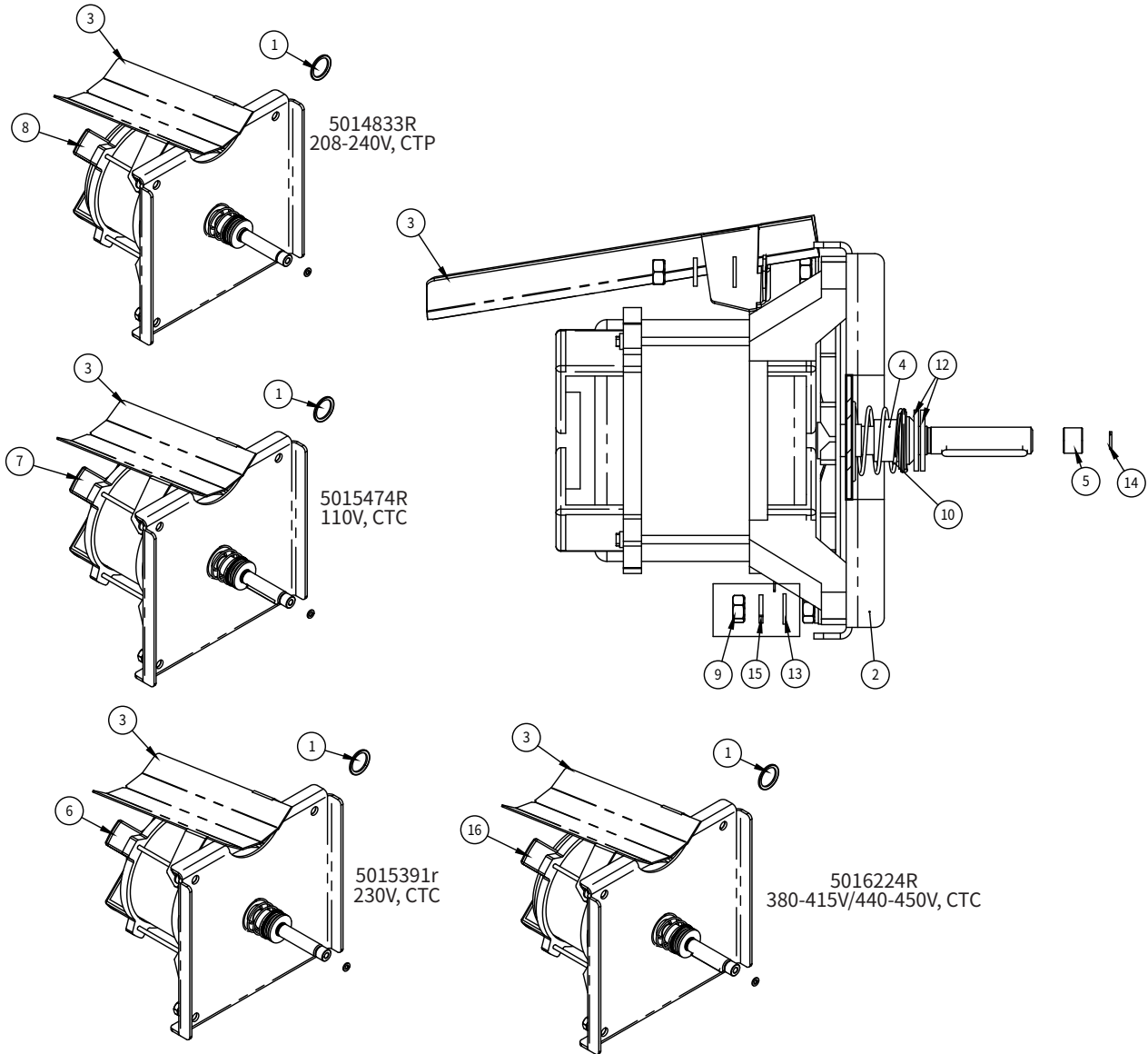
Item	Description	Part	6-10	10-10	7-20	10-20	20-10	20-20
15	Wheel, 340mm Dia. x 130 Depth	WH-35847	-	1	1	1	2	2
16	Wheel, 250mm Dia, 6 Blade	WH-35848	1	-	-	-	-	-

CONVECTION MOTOR AFTER 03/17



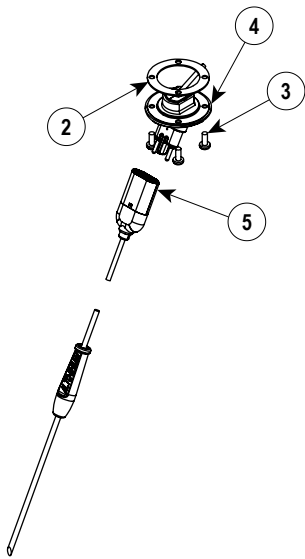
Item	Part	Description	5014833 Qty.	5015474 Qty.	5015391 Qty.	5016224 Qty.
1	1001204	Distintegration Box	1	1	1	1
2	1014649	Panel, Baffle, Motor	1	1	1	1
3	BU-22213	Bushing, CT, 30D, Motor Shaft	1	1	1	1
4	BU-29363	Bushing, 0.525OD x 0.236ID	1	1	1	1
5	MO-33725	Motor, 230V, 400W	-	-	1	-
6	MO-34255	Motor, 110V, 370W	-	1	-	-
7	MO-34857	Motor, 208-240V	1	-	-	-
8	NU-22292	Nut, M8-1.25, 18-8, Hex	4	4	4	4
9	SC-35991	Screw, M5 x 0.8 x 50mm, Hex	1	1	1	1
10	SD-23939	Spring	1	1	1	1
11	SP-35883	Spacer, Fan to Disintegration Box	1	1	1	1
12	WS-22217	Washer, Motor Shaft Seal	2	2	2	2
13	WS-22298	Washer, M8, 18-8	4	4	4	4
14	WS-22301	Washer, M5 Split Lock S/S 18-8				
15	WS-22303	Washer, M8 Split Lock S/S 18-8	4	4	4	4
16	MO-33589	Motor, 380-480V	-	-	-	1

CONVECTION MOTOR SERVICE KITS AFTER 03/17

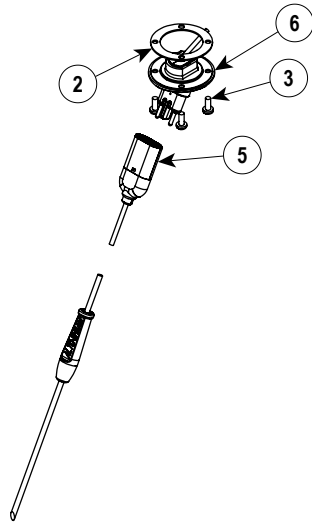


Item	Part	Description	5014833R	5015474R	5015391R	5016224R
			Qty.	Qty.	Qty.	Qty.
1	10013000	Washer, Conical, 0.753ID x 1.125OD	1	1	1	1
2	1014649	Panel, Baffle, Motor	1	1	1	1
3	1022729	Deflector, Motor, CTP	1	1	1	1
4	BU-22213	Bushing, CT, 30D, Motor Shaft	1	1	1	1
5	BU-29363	Bushing, 0.525OD x 0.236ID	1	1	1	1
6	MO-33725	Motor, 230V, 400W	-	-	1	-
7	MO-34255	Motor, 110V, 370W	-	1	-	-
8	MO-34857	Motor, 208-240V	1	-	-	-
9	NU-22292	Nut, M8-1.25, 18-8, Hex	4	4	4	4
10	SD-23939	Spring	1	1	1	1
11	SRV-20099	Service Doc, Motor Assembly	1	1	1	1
12	WS-22217	Washer, Motor Shaft Seal	2	2	2	2
13	WS-22298	Washer, M8, 18-8	4	4	4	4
14	WS-22301	Washer, M5 Split Lock S/S 18-8	1	1	1	1
15	WS-22303	Washer, M8 Split Lock S/S 18-8	4	4	4	4
16	MO-33589	Motor, 380-480V	-	-	-	1

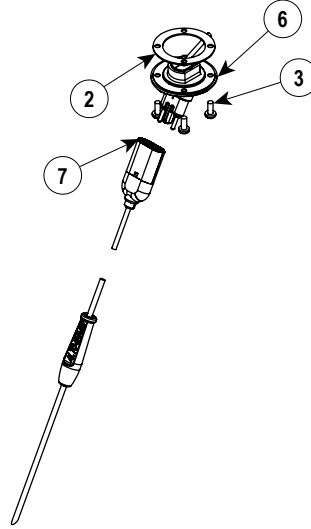
SINGLE-POINT PROBE



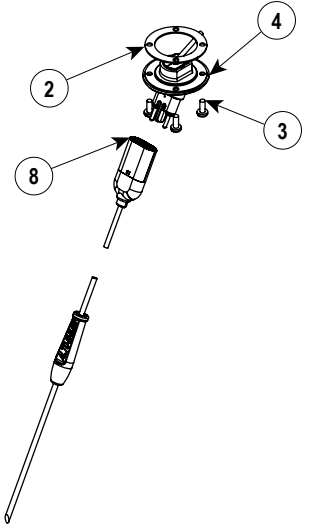
5016124R
6-10, 10-10



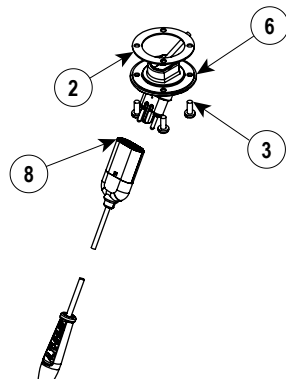
5016820R
7-20



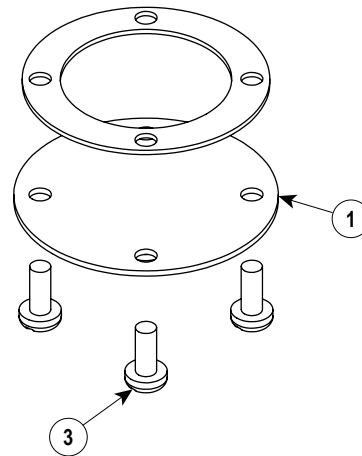
5016822R
10-20



5016823R
20-10



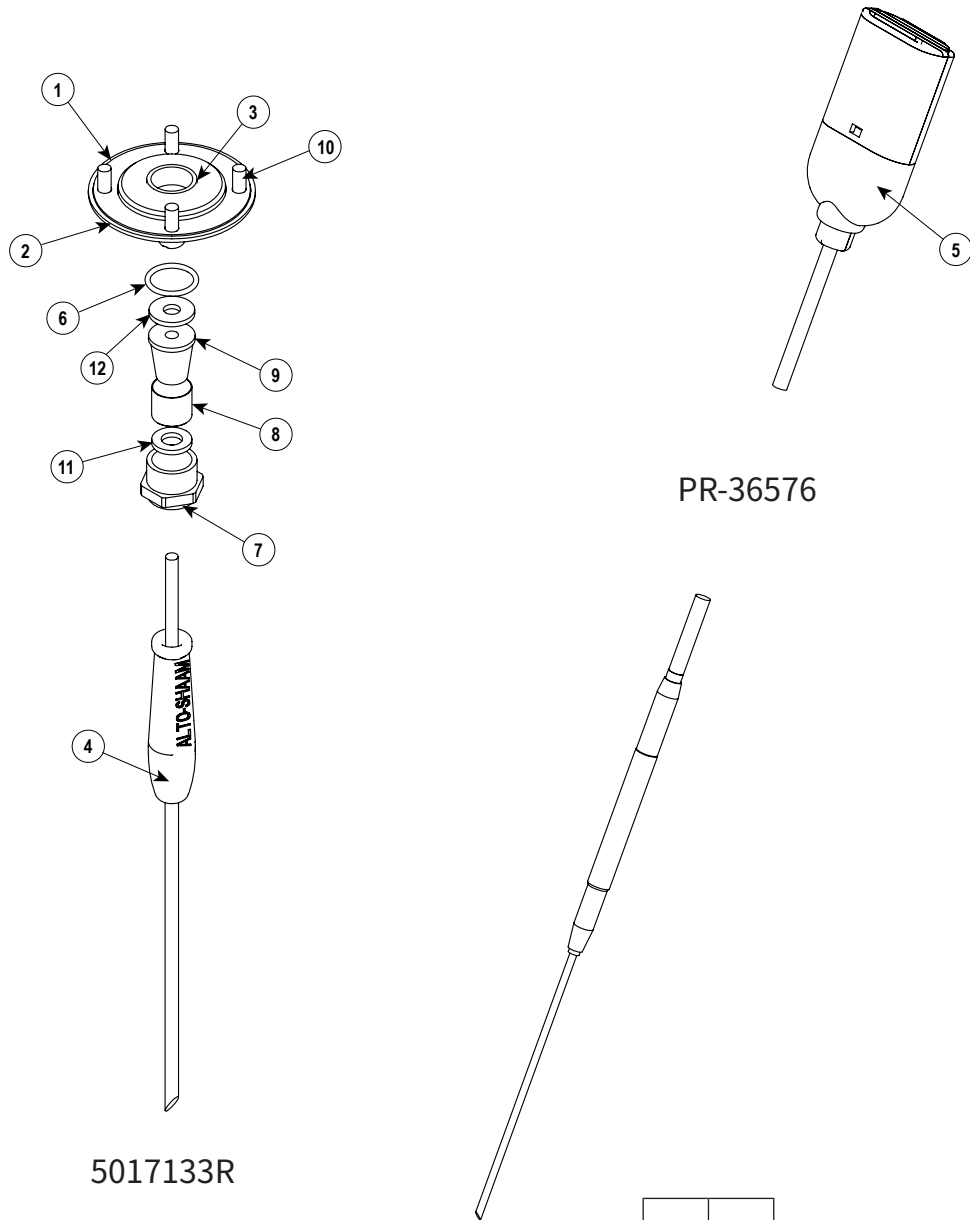
5016824R
20-20



5016130

6-10, 10-10 Qty.	With O Probe Qty.	7-20 Qty.	10-20 Qty.	20-10 Qty.	20-20 Qty.
-	1	-	-	-	-
1	1	1	1	1	1
4	4	4	4	4	4
1	-	-	-	1	-
1	-	1	-	-	-
-	-	1	1	-	1
-	-	-	1	-	-
-	-	-	-	1	1

MULTI-POINT PROBE/SOUS VIDE (ALL SIZES)

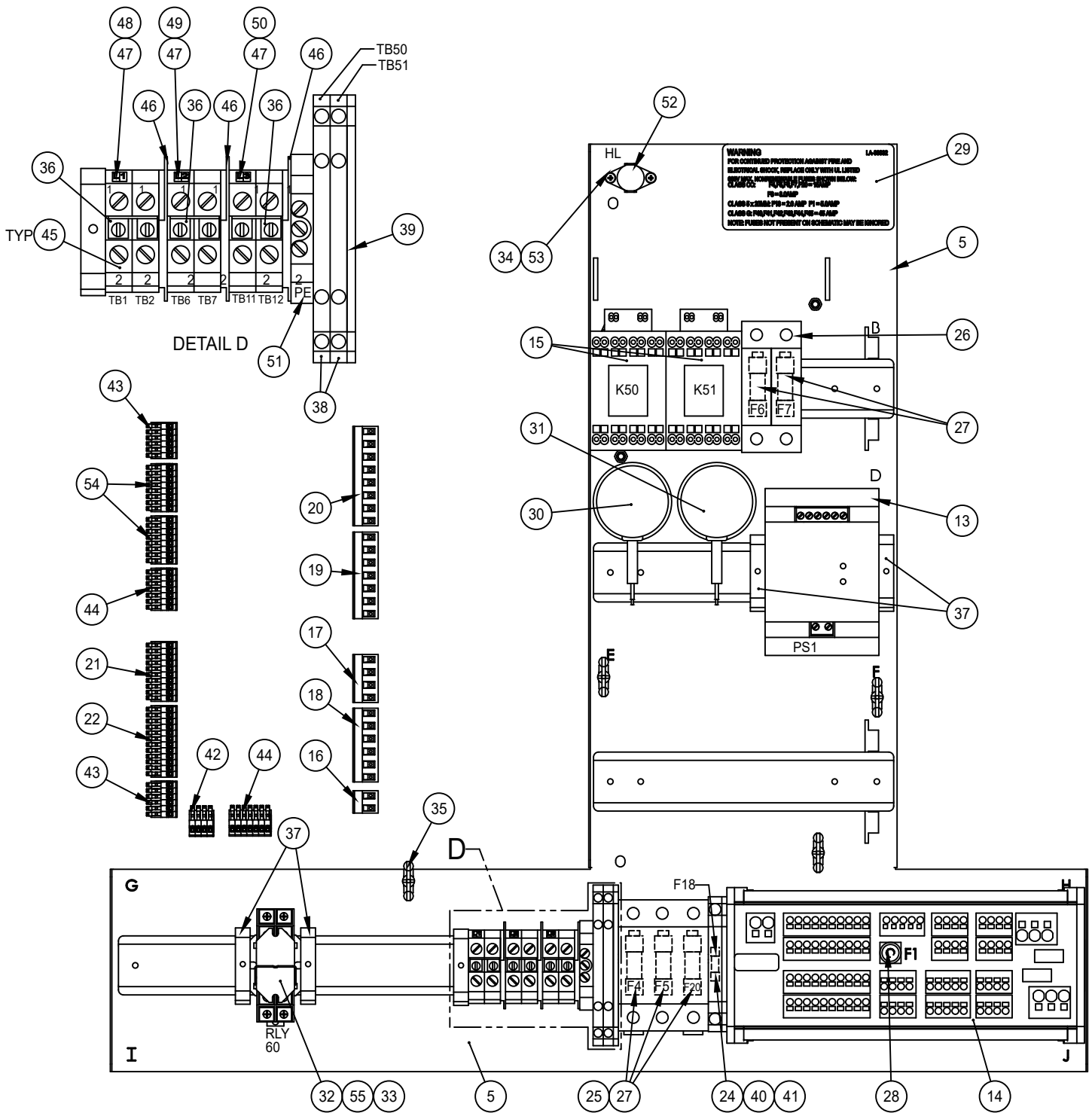


5017133R

PR-36576

Item	Part	Description	5017133R Qty.	PR-36576 Qty.
1	FT-36572	Fitting, Probe	1	-
2	GS-35796	Gasket, Cavity Probe	1	-
3	PG-3826	Plugs, CT, Adapter, Tube To Plug	1	-
4	PR-36575	Probe, Multipoint, 4000mm	1	-
5	PR-36576	Probe, Sous Vide, 1000mm	-	1
6	SA-22199	Seal, CT, O-Ring, Viton, 13" x 1.5"	1	-
7	SA-22320	Seal, CT, Top, PG9	1	-
8	SA-22321	Seal, CT, Cone, PG9, Brass	1	-
9	SA-22322	Seal, CT, Insert, 4mm Dia	1	-
10	SC-26618	Screw, M4 x 0.7 x 10mm Pan	4	-
11	WS-22297	Washer, Flat	1	-
12	WS-22323	Washer, Flat	1	-

ELECTRICAL CHASSIS – CTC 6-10G 120V (5016438)



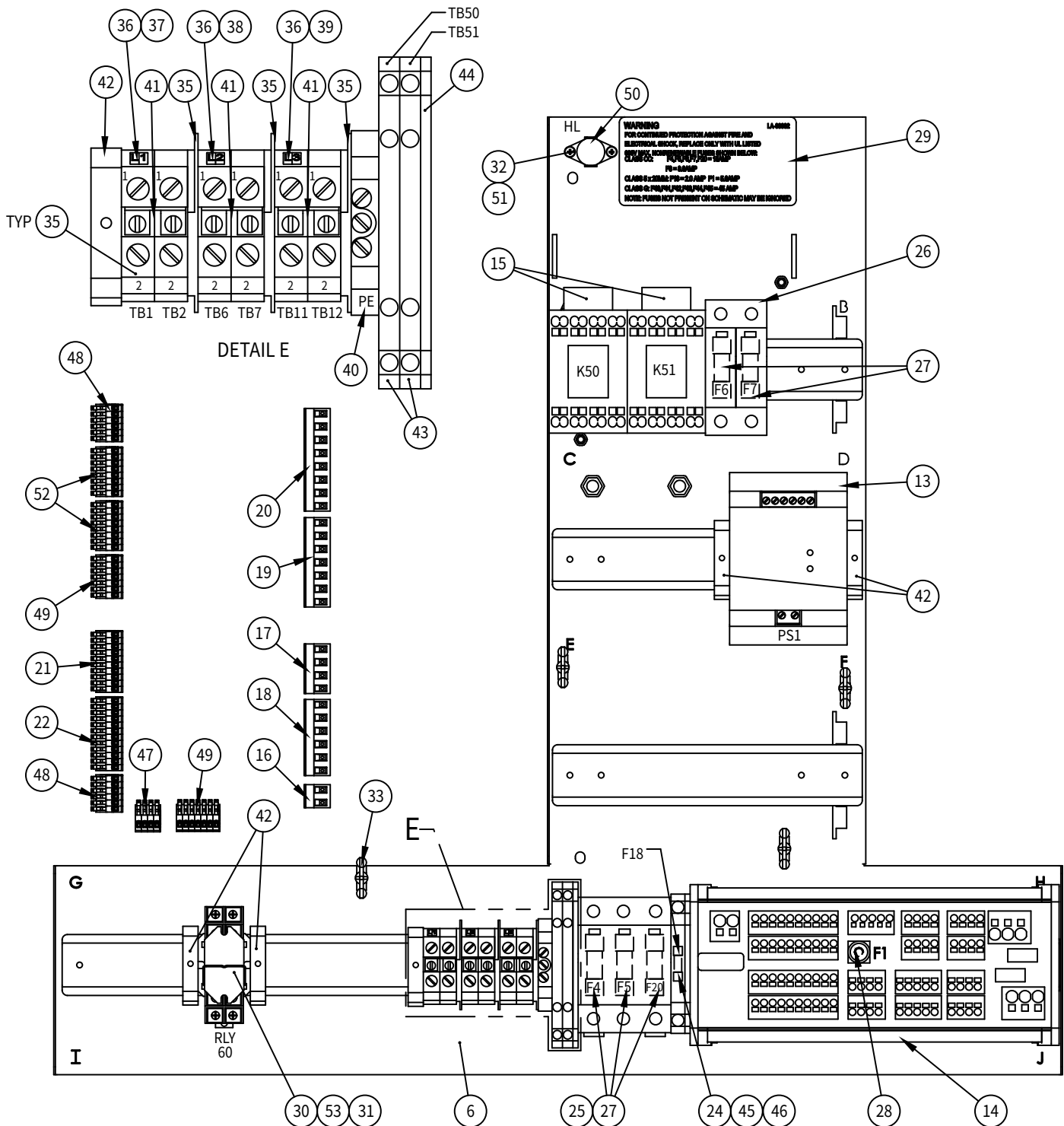
ELECTRICAL CHASSIS – CTC 6-10G 120V (5016438)

* = not shown

ITEM	PART NUMBER	DESCRIPTION	5016438 /QTY.
1	5015355	WIRE ASSEMBLY, 7-20, 10-20 CTP	1
* 2	5015379	WIRE ASSEMBLY, CTC CLASSIC	1
* 3	5015380	WIRE ASSEMBLY, ALL ESG, ALL VOLTAGE	1
* 4	5015382	WIRE ASSEMBLY, CTC/CTP RELAY	1
* 5	5015979	PANEL ASSEMBLY, ELECTRICAL CHASSIS,	1
6	5016435	WIRE ASSEMBLY, TBL TOP CTC/CTP ALL	1
* 7	5016436	WIRE ASSEMBLY, TBL TOP CTC/CTP ALL	1
* 8	5016520	WIRE ASSEMBLY, TABLE TOP 120V GAS	1
* 9	5016753	WIRE ASSEMBLY, TABLETOP ALL VOLTS	1
* 10	5016783	WIRE ASSEMBLY, TABLE TOP CTC	1
* 11	5017978	WIRE ASSEMBLY, 120V & 208V, CTC TABLETOP	1
* 12	5017979	WIRE ASSEMBLY, 120V & 208V, CTC TABLETOP	1
* 13	BA-35693	BOARD, POWER SUPPLY 10-15VDC 8A	1
14	BA-37262	BOARD ASSEMBLY, MODULAR TERMINAL	1
15	CN-34343	CONTACTOR, 120V, 25 AMP	2
16	CR-35759	CONNECTOR, 2 TERMINAL	1
17	CR-35760	CONNECTOR, 4 TERMINAL	1
18	CR-35761	CONNECTOR, 6 TERMINAL	1
19	CR-35762	CONNECTOR, 7 TERMINAL	1
20	CR-35763	CONNECTOR, 8 TERMINAL	1
21	CR-35765	TERMINAL, 3.5MM PLUGGABLE, 10	1
22	CR-35766	TERMINAL, 3.5MM PLUGGABLE, 12	1
23	EV-28115	ENVELOPE, PRESS ON (NOT SHOWN)	1
* 24	FU-33184	5X20MM, SLOW BLO, 2 AMP, 250V	1
25	FU-34770	FUSE HOLDER, 3 BANK	1
26	FU-34771	FUSE HOLDER, 2 BANK	1
27	FU-34772	FUSE, 15 AMP	5
28	FU-36668	5X20MM, SLOW BLO, 5AMP, 250V	1
29	LA-38832	LABEL, FUSE WARNING	1
30	MO-34393	CAPACITOR , MOTOR, 40 MFD, 240VAC	1
31	MO-34394	MOTOR, CAPACITOR, 20 UF, 240VAC	1
32	RL-33930	RELAY, 12VDC, 15A, 8 PINS	1
33	RL-37266	SPRING, HOLD DOWN,	1
34	SC-22268	SCREW, M3x0.5X8MM PAN	2
35	TI-35719	TIE, TWIST LOCK 0.5" STANDOFF	4
36	TM-33675	JUMPER STRIP	3
37	TM-34305	TERMINAL, SCREWLESS END	6
38	TM-34306	TERMINAL, GROUND, 6mm, SPRING	2
39	TM-34309	TERMINAL, END SECTION, SPRING	1
40	TM-34311	TERMINAL, FUSE HOLDER, 8mm	1
41	TM-34315	TERMINAL, END PLATE	1
42	TM-34881	TERMINAL, 3.5MM PLUGGABLE, 4 POLE	1
43	TM-34884	TERMINAL, 3.5MM PLUGGABLE, 6 POLE	2
44	TM-34931	TERMINAL, 3.5MM PLUGGABLE, 7 POLE	2
45	TM-3779	TERMINAL BLOCK	6
46	TM-3785	TERMINALS, *CT, WALL, PART., 16MM	3
47	TM-3788	TERMINALS, MARK, L	3
48	TM-3790	TERMINALS, MARK, 1	1
49	TM-3791	TERMINALS, MARK, 2	1
50	TM-3792	TERMINALS, MARK, 3	1
51	TM-3932	TERMINAL, GROUND	1
52	TT-36119	THERMOSTAT, BI-METAL, 100 DEG CLOSE	1
53	WS-22299	WASHER, M3 SPLIT LOCK	2
54	TM-34889	TERMINAL, 3.5MM PLUGGABLE, 8 POLE	2
55	RL-34634	UNIVERSAL MOUNTING SOCKET	1

Note: Refer to MN-35949 Rev.2 for part numbers of wiring chassis for previous models

ELECTRICAL CHASSIS – CTC 6-10G 208-240V (5016439)



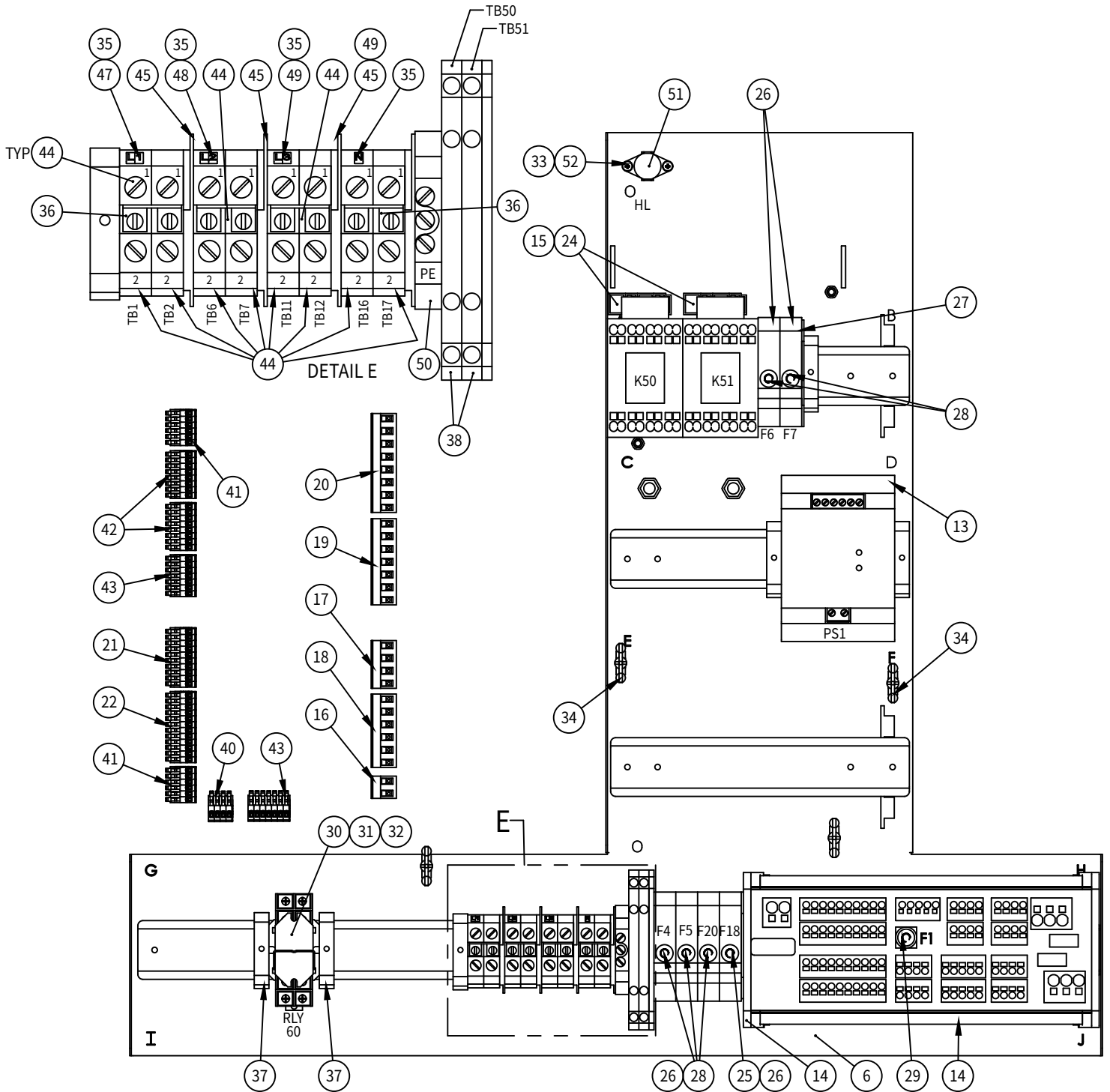
ELECTRICAL CHASSIS – CTC 6-10G 208-240V (5016439)

* = not shown

ITEM	PART NUMBER	DESCRIPTION	5016439 /QTY.
	5015352	WIRE ASSEMBLY, TBL TOP CTC 3PH	1
*	5015355	WIRE ASSEMBLY, 7-20, 10-20 CTP	1
*	5015379	WIRE ASSEMBLY, CTC CLASSIC	1
*	5015380	WIRE ASSEMBLY, ALL ESG, ALL VOLTAGE	1
*	5015382	WIRE ASSEMBLY, CTC/CTP RELAY	1
*	5015979	PANEL ASSEMBLY, ELECTRICAL CHASSIS,	1
	5016435	WIRE ASSEMBLY, TBL TOP CTC/CTP ALL	1
*	5016436	WIRE ASSEMBLY, TBL TOP CTC/CTP ALL	1
*	5016753	WIRE ASSEMBLY, TABLETOP ALL VOLTS	1
*	5016783	WIRE ASSEMBLY, TABLE TOP CTC	1
*	5017978	WIRE ASSEMBLY, 120V & 208V, CTC TABLETOP	1
*	5017979	WIRE ASSEMBLY, 120V & 208V, CTC TABLETOP	1
*	BA-35693	BOARD, POWER SUPPLY 10-15VDC 8A	1
	BA-37262	BOARD ASSEMBLY, MODULAR TERMINAL	1
	CN-34304	CONTACTOR, 240V, 25 AMP	2
	CR-35759	CONNECTOR, 2 TERMINAL	1
	CR-35760	CONNECTOR, 4 TERMINAL	1
	CR-35761	CONNECTOR, 6 TERMINAL	1
	CR-35762	CONNECTOR, 7 TERMINAL	1
	CR-35763	CONNECTOR, 8 TERMINAL	1
	CR-35765	TERMINAL, 3.5MM PLUGGABLE, 10	1
	CR-35766	TERMINAL, 3.5MM PLUGGABLE, 12	1
	EV-28115	ENVELOPE, PRESS ON (NOT SHOWN)	1
*	FU-33184	5X20MM, SLOW BLO, 2 AMP, 250V	1
	FU-34770	FUSE HOLDER, 3 BANK	1
	FU-34771	FUSE HOLDER, 2 BANK	1
	FU-34772	FUSE, 15 AMP	5
	FU-36668	5X20MM, SLOW BLO, 5AMP, 250V	1
	LA-38832	LABEL, FUSE WARNING	1
	RL-33930	RELAY, 12VDC, 15A, 8 PINS	1
	RL-37266	SPRING, HOLD DOWN,	1
	SC-22268	SCREW, M3x0.5X8MM PAN	2
	TI-35719	TIE, TWIST LOCK 0.5" STANDOFF	4
	TM-3779	TERMINAL BLOCK	6
	TM-3785	TERMINALS, *CT, WALL, PART., 16MM	3
	TM-3788	TERMINALS, MARK, L	3
	TM-3790	TERMINALS, MARK, 1	1
	TM-3791	TERMINALS, MARK, 2	1
	TM-3792	TERMINALS, MARK, 3	1
	TM-3932	TERMINAL, GROUND	1
	TM-33675	JUMPER STRIP	3
	TM-34305	TERMINAL, SCREWLESS END	6
	TM-34306	TERMINAL, GROUND, 6mm, SPRING	2
	TM-34309	TERMINAL, END SECTION, SPRING	1
	TM-34311	TERMINAL, FUSE HOLDER, 8mm	1
	TM-34315	TERMINAL, END PLATE	1
	TM-34881	TERMINAL, 3.5MM PLUGGABLE, 4 POLE	1
	TM-34884	TERMINAL, 3.5MM PLUGGABLE, 6 POLE	2
	TM-34931	TERMINAL, 3.5MM PLUGGABLE, 7 POLE	2
	TT-36119	THERMOSTAT, BI-METAL, 100 DEG CLOSE	1
	WS-22299	WASHER, M3 SPLIT LOCK	2
	TM-34889	TERMINAL, 3.5MM PLUGGABLE, 8 POLE	2
	RL-34634	UNIVERSAL MOUNTING SOCKET	1

Note: Refer to MN-35949 Rev.2 for part numbers of wiring chassis for previous models

ELECTRICAL CHASSIS – CTC 6-10G 380-415V (5016444)



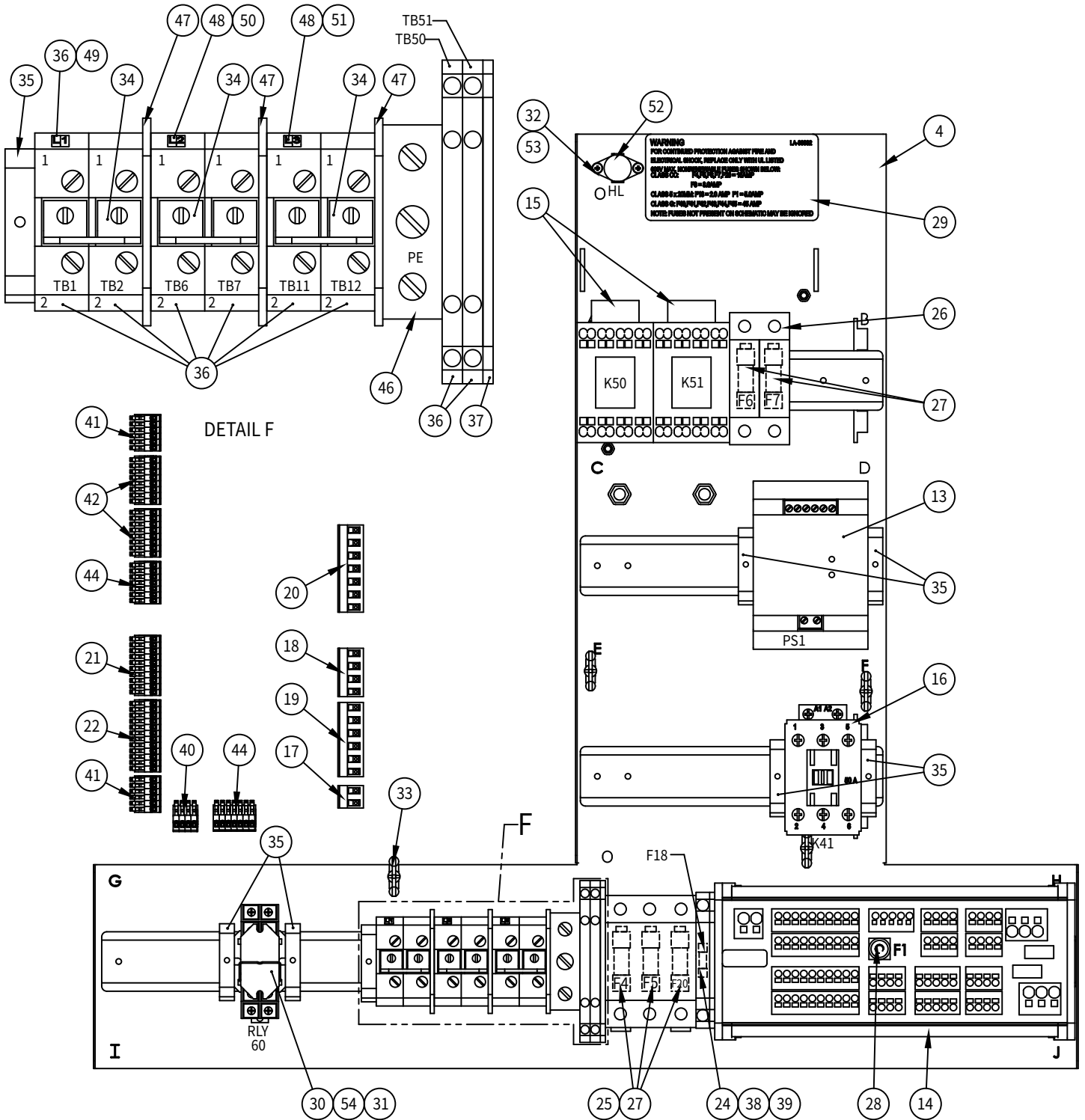
ELECTRICAL CHASSIS – CTC 6-10G 380-415V (5016444)

* = not shown

ITEM	PART NUMBER	DESCRIPTION	5016444 /QTY.	
*	1	5015352	WIRE ASSEMBLY, TBL TOP CTC 3PH	1
*	2	5015355	WIRE ASSEMBLY, 7-20, 10-20 CTP	1
*	3	5015379	WIRE ASSEMBLY, CTC CLASSIC	1
*	4	5015380	WIRE ASSEMBLY, ALL ESG, ALL VOLTAGE	1
*	5	5015382	WIRE ASSEMBLY, CTC/CTP RELAY	1
*	6	5015979	PANEL ASSEMBLY, ELECTRICAL CHASSIS,	1
*	7	5016435	WIRE ASSEMBLY, TBL TOP CTC/CTP ALL	1
*	8	5016436	WIRE ASSEMBLY, TBL TOP CTC/CTP ALL	1
*	9	5016753	WIRE ASSEMBLY, TABLETOP ALL VOLTS	1
*	10	5016783	WIRE ASSEMBLY, TABLE TOP CTC	1
*	11	5017979	WIRE ASSEMBLY, 120V & 208V, CTC TABLETOP	1
*	12	5017986	WIRE ASSEMBLY, 380V, CTC TABLETOP	1
	13	BA-35693	BOARD, POWER SUPPLY 10-15VDC 8A	1
	14	BA-37262	BOARD ASSEMBLY, MODULAR TERMINAL	1
	15	CN-34304	CONTACTOR, 240V, 25 AMP	2
	16	CR-35759	CONNECTOR, 2 TERMINAL	1
	17	CR-35760	CONNECTOR, 4 TERMINAL	1
	18	CR-35761	CONNECTOR, 6 TERMINAL	1
	19	CR-35762	CONNECTOR, 7 TERMINAL	1
	20	CR-35763	CONNECTOR, 8 TERMINAL	1
	21	CR-35765	TERMINAL, 3.5MM PLUGGABLE, 10	1
	22	CR-35766	TERMINAL, 3.5MM PLUGGABLE, 12	1
	23	EV-28115	ENVELOPE, PRESS ON (NOT SHOWN)	1
	24	FI-34492	FILTER, FOR SPRING CLAMP	2
	25	FU-33184	5X20MM, SLOW BLO, 2 AMP, 250V	1
	26	FU-33451	FUSE, TERMINAL, 6.3AMP	6
	27	FU-34749	FUSE, HOLDER COVER	2
	28	FU-34921	FUSE, 15 AMP, 250V, 5mm X 20mm	5
	29	FU-36668	5X20MM, SLOW BLO, 5AMP, 250V	1
	30	RL-33930	RELAY, 12VDC, 15A, 8 PINS	1
	31	RL-34634	UNIVERSAL MOUNTING SOCKET	1
	32	RL-37266	SPRING, HOLD DOWN,	1
	33	SC-22268	SCREW, M3x0.5X8MM PAN	2
	34	TI-35719	TIE, TWIST LOCK 0.5" STANDOFF	4
	35	TM-33479	TERMINALS, MARK, N	1
	36	TM-33675	JUMPER STRIP	4
	37	TM-34305	TERMINAL, SCREWLESS END	6
	38	TM-34306	TERMINAL, GROUND, 6mm, SPRING	2
	39	TM-34309	TERMINAL, END SECTION, SPRING	1
	40	TM-34881	TERMINAL, 3.5MM PLUGGABLE, 4 POLE	1
	41	TM-34884	TERMINAL, 3.5MM PLUGGABLE, 6 POLE	2
	42	TM-34889	TERMINAL, 3.5MM PLUGGABLE, 8 POLE	2
	43	TM-34931	TERMINAL, 3.5MM PLUGGABLE, 7 POLE	2
	44	TM-3779	TERMINAL BLOCK	8
	45	TM-3785	TERMINALS, *CT, WALL, PART., 16MM	4
	35	TM-3788	TERMINALS, MARK, L	3
	47	TM-3790	TERMINALS, MARK, 1	1
	48	TM-3791	TERMINALS, MARK, 2	1
	49	TM-3792	TERMINALS, MARK, 3	1
	50	TM-3932	TERMINAL, GROUND	1
	51	TT-36119	THERMOSTAT, BI-METAL, 100 DEG CLOSE	1
	52	WS-22299	WASHER, M3 SPLIT LOCK	2

Note: Refer to MN-35949 Rev.2 for part numbers of wiring chassis for previous models

ELECTRICAL CHASSIS – CTC 6-10E 208-240V (5016440)



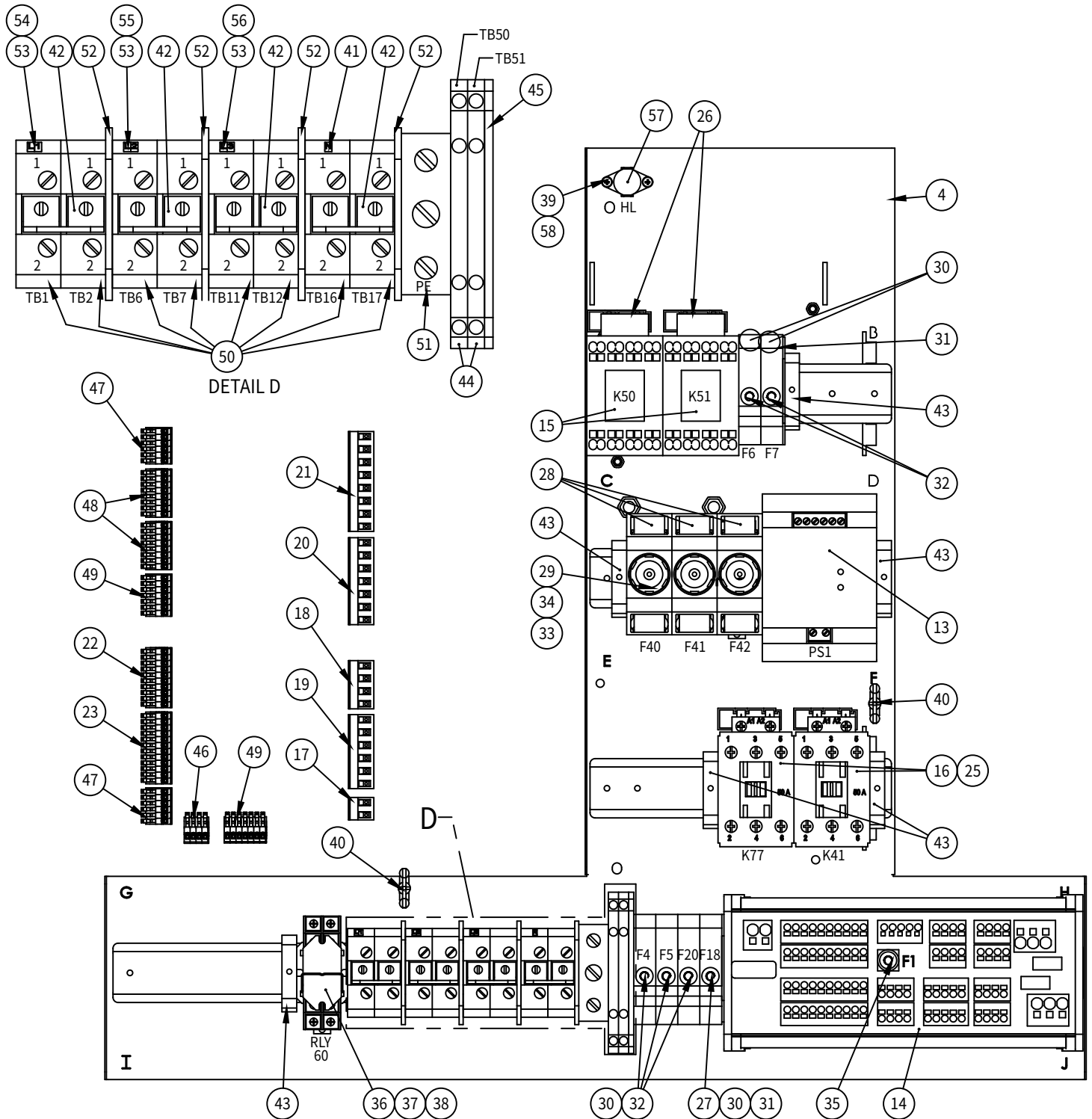
ELECTRICAL CHASSIS – CTC 6-10E 208-240V (5016440)

* = not shown

ITEM	PART NUMBER	DESCRIPTION	5016440 /QTY	
1	5015350	WIRE ASSEMBLY, TBL TOP CTP ALL	1	
*	2	5015379	WIRE ASSEMBLY, CTC CLASSIC	1
*	3	5015382	WIRE ASSEMBLY, CTC/CTP RELAY	1
*	4	5015979	PANEL ASSEMBLY, ELECTRICAL CHASSIS,	1
	5	5016388	WIRE ASSEMBLY, 6-10, 10-10, 7-20	1
*	6	5016435	WIRE ASSEMBLY, TBL TOP CTC/CTP ALL	1
*	7	5016436	WIRE ASSEMBLY, TBL TOP CTC/CTP ALL	1
*	8	5016450	WIRE ASSEMBLY, 6-10, 10-10, 7-20 CTC	1
*	9	5016753	WIRE ASSEMBLY, TABLETOP ALL VOLTS	1
*	10	5016783	WIRE ASSEMBLY, TABLE TOP CTC	1
*	11	5017978	WIRE ASSEMBLY, 120V & 208V, CTC TABLETOP	1
*	12	5017979	WIRE ASSEMBLY, 120V & 208V, CTC TABLETOP	1
*	13	BA-35693	BOARD, POWER SUPPLY 10-15VDC 8A	1
	14	BA-37262	BOARD ASSEMBLY, MODULAR TERMINAL	1
	15	CN-34304	CONTACTOR, 240V, 25 AMP	2
	16	CN-3731	CONTACTOR, 50 AMP	1
	17	CR-35759	CONNECTOR, 2 TERMINAL	1
	18	CR-35760	CONNECTOR, 4 TERMINAL	1
	19	CR-35761	CONNECTOR, 6 TERMINAL	1
	20	CR-35762	CONNECTOR, 7 TERMINAL	1
	21	CR-35765	TERMINAL, 3.5MM PLUGGABLE, 10	1
	22	CR-35766	TERMINAL, 3.5MM PLUGGABLE, 12	1
	23	EV-28115	ENVELOPE, PRESS ON (NOT SHOWN)	1
	24	FU-33184	5X20MM, SLOW BLO, 2 AMP, 250V	1
*	25	FU-34770	FUSE HOLDER, 3 BANK	1
	26	FU-34771	FUSE HOLDER, 2 BANK	1
	27	FU-34772	FUSE, 15 AMP	5
	28	FU-36668	5X20MM, SLOW BLO, 5AMP, 250V	1
	29	LA-38832	LABEL, FUSE WARNING	1
	30	RL-33930	RELAY, 12VDC, 15A, 8 PINS	1
	31	RL-37266	SPRING, HOLD DOWN,	1
	32	SC-22268	SCREW, M3x0.5X8MM PAN	2
	33	TI-35719	TIE, TWIST LOCK 0.5" STANDOFF	4
	34	TM-33837	JUMPER STRIP	3
	35	TM-34305	TERMINAL, SCREWLESS END	8
	36	TM-34306	TERMINAL, GROUND, 6mm, SPRING	2
	37	TM-34309	TERMINAL, END SECTION, SPRING	1
	38	TM-34311	TERMINAL, FUSE HOLDER, 8mm	1
	39	TM-34315	TERMINAL, END PLATE	1
	40	TM-34881	TERMINAL, 3.5MM PLUGGABLE, 4 POLE	1
	41	TM-34884	TERMINAL, 3.5MM PLUGGABLE, 6 POLE	2
	42	TM-34889	TERMINAL, 3.5MM PLUGGABLE, 8 POLE	2
	43	TM-34904	TERMINAL, 3-POLE GREEN, GMVSTBR	1
	44	TM-34931	TERMINAL, 3.5MM PLUGGABLE, 7 POLE	2
	36	TM-3780	TERMINALS, *CT, SER., 35MM	6
	46	TM-3782	TERMINAL, GROUND, 35mm	1
	47	TM-3786	TERMINAL, CT, 35mm WALL, PART	3
	48	TM-3788	TERMINALS, MARK, L	3
	49	TM-3790	TERMINALS, MARK, 1	1
	50	TM-3791	TERMINALS, MARK, 2	1
	51	TM-3792	TERMINALS, MARK, 3	1
	52	TT-36119	THERMOSTAT, BI-METAL, 100 DEG CLOSE	1
	53	WS-22299	WASHER, M3 SPLIT LOCK	2
	54	RL-34634	UNIVERSAL MOUNTING SOCKET	1

Note: Refer to MN-35949 Rev.2 for part numbers of wiring chassis for previous models

ELECTRICAL CHASSIS – CTC 6-10E 380-415V (5016442)



ELECTRICAL CHASSIS – CTC 6-10E 380-415V (5016442)

* = not shown

ITEM	PART NUMBER	DESCRIPTION	5016442 /QTY.	
*	1	5015352	WIRE ASSEMBLY, TBL TOP CTC 3PH	1
*	2	5015379	WIRE ASSEMBLY, CTC CLASSIC	1
*	3	5015382	WIRE ASSEMBLY, CTC/CTP RELAY	1
	4	5015979	PANEL ASSEMBLY, ELECTRICAL CHASSIS,	1
*	5	5016392	WIRE ASSEMBLY, CTC 380V	1
*	6	5016435	WIRE ASSEMBLY, TBL TOP CTC/CTP ALL	1
*	7	5016436	WIRE ASSEMBLY, TBL TOP CTC/CTP ALL	1
*	8	5016450	WIRE ASSEMBLY, 6-10, 10-10, 7-20 CTC	1
*	9	5016753	WIRE ASSEMBLY, TABLETOP ALL VOLTS	1
*	10	5016783	WIRE ASSEMBLY, TABLE TOP CTC	1
*	11	5017979	WIRE ASSEMBLY, 120V & 208V, CTC TABLETOP	1
*	12	5017986	WIRE ASSEMBLY, 380V, CTC TABLETOP	1
	13	BA-35693	BOARD, POWER SUPPLY 10-15VDC 8A	1
	14	BA-37262	BOARD ASSEMBLY, MODULAR TERMINAL	1
	15	CN-34304	CONTACTOR, 240V, 25 AMP	2
	16	CN-3731	CONTACTOR, 50 AMP	2
	17	CR-35759	CONNECTOR, 2 TERMINAL	1
	18	CR-35760	CONNECTOR, 4 TERMINAL	1
	19	CR-35761	CONNECTOR, 6 TERMINAL	1
	20	CR-35762	CONNECTOR, 7 TERMINAL	1
	21	CR-35763	CONNECTOR, 8 TERMINAL	1
	22	CR-35765	TERMINAL, 3.5MM PLUGGABLE, 10	1
	23	CR-35766	TERMINAL, 3.5MM PLUGGABLE, 12	1
	24	EV-28115	ENVELOPE, PRESS ON (NOT SHOWN)	1
	25	FI-33990	EMI FILTER	2
	26	FI-34492	FILTER, FOR SPRING CLAMP	2
	27	FU-33184	5X20MM, SLOW BLO, 2 AMP, 250V	1
	28	FU-33444	FUSE, DO2 NEOZED BASE & COVER	3
	29	FU-33445	FUSE, DO2 NEOZED SCREW CAP	3
	30	FU-33451	FUSE, TERMINAL, 6.3AMP	6
	31	FU-34749	FUSE, HOLDER COVER	2
	32	FU-34921	FUSE, 15 AMP, 250V, 5mm X 20mm	5
	33	FU-35497	FUSE, DO2 NEOZED GAUGE RING 50A	3
	34	FU-35850	FUSE, DO2 NEOZED 50A, WHITE	3
	35	FU-36668	5X20MM, SLOW BLO, 5AMP, 250V	1
	36	RL-33930	RELAY, 12VDC, 15A, 8 PINS	1
	37	RL-34634	UNIVERSAL MOUNTING SOCKET	2
	38	RL-37266	SPRING, HOLD DOWN,	2
	39	SC-22268	SCREW, M3x0.5X8MM PAN	2
	40	TI-35719	TIE, TWIST LOCK 0.5" STANDOFF	2
	41	TM-33479	TERMINALS, MARK, N	1
	42	TM-33837	JUMPER STRIP	4
	43	TM-34305	TERMINAL, SCREWLESS END	6
	44	TM-34306	TERMINAL, GROUND, 6mm, SPRING	2
	45	TM-34309	TERMINAL, END SECTION, SPRING	1
	46	TM-34881	TERMINAL, 3.5MM PLUGGABLE, 4 POLE	1
	47	TM-34884	TERMINAL, 3.5MM PLUGGABLE, 6 POLE	2
	48	TM-34889	TERMINAL, 3.5MM PLUGGABLE, 8 POLE	2
	49	TM-34931	TERMINAL, 3.5MM PLUGGABLE, 7 POLE	2
	50	TM-3780	TERMINALS, *CT, SER., 35MM	8
	51	TM-3782	TERMINAL, GROUND, 35mm	1
	52	TM-3786	TERMINAL, CT, 35mm WALL, PART	4
	53	TM-3788	TERMINALS, MARK, L	3
	54	TM-3790	TERMINALS, MARK, 1	1
	55	TM-3791	TERMINALS, MARK, 2	1
	56	TM-3792	TERMINALS, MARK, 3	1
	57	TT-36119	THERMOSTAT, BI-METAL, 100 DEG CLOSE	1
	58	WS-22299	WASHER, M3 SPLIT LOCK	2

Note: Refer to MN-35949 Rev.2 for part numbers of wiring chassis for previous models

ELECTRICAL CHASSIS – CTC 6-10E 440-480V (5016445)

ITEM	PART NUMBER	DESCRIPTION	5016445 /QTY.
1	5015352	WIRE ASSEMBLY, TBL TOP CTC 3PH	1
2	5015358	WIRE ASSEMBLY, 440V POWER CVRSN	1
3	5015379	WIRE ASSEMBLY, CTC CLASSIC	1
4	5015382	WIRE ASSEMBLY, CTC/CTP RELAY	1
5	5015979	PANEL ASSEMBLY, ELECTRICAL CHASSIS,	1
6	5016395	WIRE ASSEMBLY, 6-10, 10-10, 7-20	1
7	5016435	WIRE ASSEMBLY, TBL TOP CTC/CTP ALL	1
8	5016436	WIRE ASSEMBLY, TBL TOP CTC/CTP ALL	1
9	5016450	WIRE ASSEMBLY, 6-10, 10-10, 7-20 CTC	1
10	5016753	WIRE ASSEMBLY, TABLETOP ALL VOLTS	1
11	5016783	WIRE ASSEMBLY, TABLE TOP CTC	1
12	5017978	WIRE ASSEMBLY, 120V & 208V, CTC TABLETOP	1
13	5017979	WIRE ASSEMBLY, 120V & 208V, CTC TABLETOP	1
14	BA-35693	BOARD, POWER SUPPLY 10-15VDC 8A	1
15	BA-37262	BOARD ASSEMBLY, MODULAR TERMINAL	1
16	CN-34304	CONTACTOR, 240V, 25 AMP	2
17	CN-3731	CONTACTOR, 50 AMP	1
18	CR-35759	CONNECTOR, 2 TERMINAL	1
19	CR-35760	CONNECTOR, 4 TERMINAL	1
20	CR-35761	CONNECTOR, 6 TERMINAL	1
21	CR-35762	CONNECTOR, 7 TERMINAL	1
22	CR-35763	CONNECTOR, 8 TERMINAL	1
23	CR-35765	TERMINAL, 3.5MM PLUGGABLE, 10	1
24	CR-35766	TERMINAL, 3.5MM PLUGGABLE, 12	1
25	EV-28115	ENVELOPE, PRESS ON (NOT SHOWN)	1
26	FU-33040	45A, MP, CLASS G, 480V MED. TIME-LAG	3
27	FU-33184	5X20MM, SLOW BLO, 2 AMP, 250V	1
28	FU-34770	FUSE HOLDER, 3 BANK	1
29	FU-34771	FUSE HOLDER, 2 BANK	1
30	FU-34772	FUSE, 15 AMP	5
31	FU-35728	FUSE HOLDER, 60A 480V CLASS G	1
32	FU-36668	5X20MM, SLOW BLO, 5AMP, 250V	1
33	LA-38832	LABEL, FUSE WARNING	1
34	RL-33930	RELAY, 12VDC, 15A, 8 PINS	1
35	RL-34634	UNIVERSAL MOUNTING SOCKET	1
36	RL-37266	SPRING, HOLD DOWN,	1
37	SC-22268	SCREW, M3x0.5X8MM PAN	2
38	TI-35719	TIE, TWIST LOCK 0.5" STANDOFF	2
39	TM-33837	JUMPER STRIP	3
40	TM-34305	TERMINAL, SCREWLESS END	6
41	TM-34306	TERMINAL, GROUND, 6mm, SPRING	2
42	TM-34309	TERMINAL, END SECTION, SPRING	1
43	TM-34311	TERMINAL, FUSE HOLDER, 8mm	1
44	TM-34315	TERMINAL, END PLATE	1
45	TM-34881	TERMINAL, 3.5MM PLUGGABLE, 4 POLE	1
46	TM-34884	TERMINAL, 3.5MM PLUGGABLE, 6 POLE	2
47	TM-34889	TERMINAL, 3.5MM PLUGGABLE, 8 POLE	2
48	TM-34931	TERMINAL, 3.5MM PLUGGABLE, 7 POLE	2
49	TM-3778	TERMINALS, *CT, SERIES, 4MM	5
50	TM-3780	TERMINALS, *CT, SER., 35MM	6
51	TM-3782	TERMINAL, GROUND, 35mm	1
52	TM-3783	TERMINAL, WALL, 4MM	1
53	TM-3786	TERMINAL, CT, 35mm WALL, PART	3
54	TM-3788	TERMINALS, MARK, L	3
55	TM-3790	TERMINALS, MARK, 1	1
56	TM-3791	TERMINALS, MARK, 2	1
57	TM-3792	TERMINALS, MARK, 3	1
58	TT-36119	THERMOSTAT, BI-METAL, 100 DEG CLOSE	1
59	WS-22299	WASHER, M3 SPLIT LOCK	2

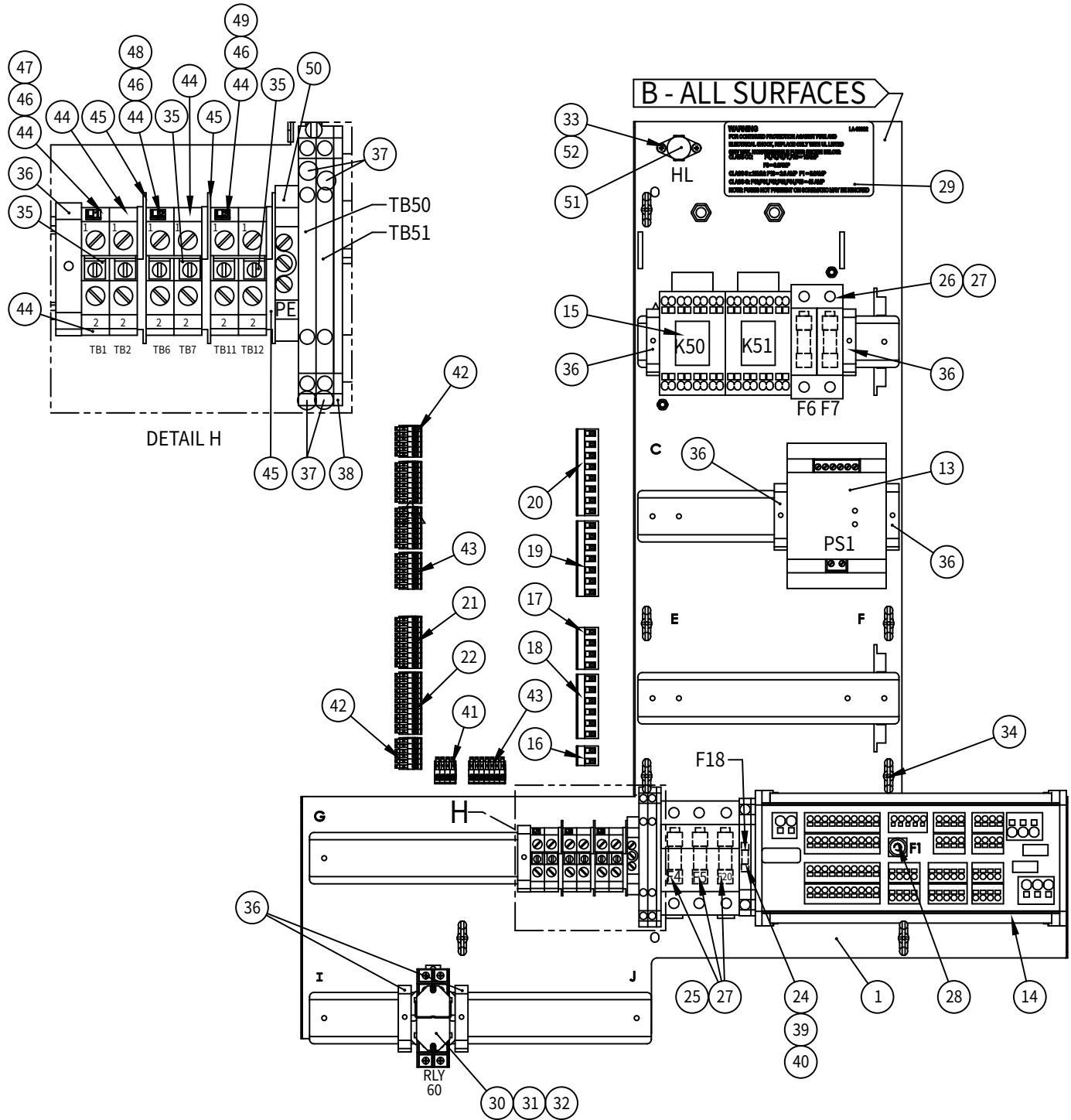
Note: Refer to MN-35949 Rev.2 for part numbers of wiring chassis for previous models

ELECTRICAL CHASSIS – CTC 10-10G/7-20G 120V (5016168)

ITEM	PART NUMBER	DESCRIPTION	5016168/QTY.
1	5014970	PANEL ASSEMBLY , ELEC CHASSIS	1
2	5015355	WIRE ASSEMBLY, 7-20, 10-20 CTP	1
3	5015379	WIRE ASSEMBLY, CTC CLASSIC	1
4	5015380	WIRE ASSEMBLY, ALL ESG, ALL VOLTAGE	1
5	5015382	WIRE ASSEMBLY, CTC/CTP RELAY	1
6	5016435	WIRE ASSEMBLY, TBL TOP CTC/CTP ALL	1
7	5016436	WIRE ASSEMBLY, TBL TOP CTC/CTP ALL	1
8	5016520	WIRE ASSEMBLY, TABLE TOP 120V GAS	1
9	5016753	WIRE ASSEMBLY, TABLETOP ALL VOLTS	1
10	5016783	WIRE ASSEMBLY, TABLE TOP CTC	1
11	5017978	WIRE ASSEMBLY, 120V & 208V, CTC TABLETOP	1
12	5017979	WIRE ASSEMBLY, 120V & 208V, CTC TABLETOP	1
13	BA-35693	BOARD, POWER SUPPLY 10-15VDC 8A	1
14	BA-37262	BOARD ASSEMBLY, MODULAR TERMINAL	1
15	CN-34343	CONTACTOR, 120V, 25 AMP	2
16	CR-35759	CONNECTOR, 2 TERMINAL	1
17	CR-35760	CONNECTOR, 4 TERMINAL	1
18	CR-35761	CONNECTOR, 6 TERMINAL	1
19	CR-35762	CONNECTOR, 7 TERMINAL	1
20	CR-35763	CONNECTOR, 8 TERMINAL	1
21	CR-35765	TERMINAL, 3.5MM PLUGGABLE, 10	1
22	CR-35766	TERMINAL, 3.5MM PLUGGABLE, 12	1
23	EV-28115	ENVELOPE, PRESS ON (NOT SHOWN)	1
24	FU-33184	5X20MM, SLOW BLO, 2 AMP, 250V	1
25	FU-34770	FUSE HOLDER, 3 BANK	1
26	FU-34771	FUSE HOLDER, 2 BANK	1
27	FU-34772	FUSE, 15 AMP	4
28	FU-36668	5X20MM, SLOW BLO, 5AMP, 250V	1
29	LA-38832	LABEL, FUSE WARNING	1
30	MO-34393	CAPACITOR , MOTOR, 40 MFD, 240VAC	1
31	MO-34394	MOTOR, CAPACITOR, 20 UF, 240VAC	1
32	RL-33930	RELAY, 12VDC, 15A, 8 PINS	1
33	RL-34634	UNIVERSAL MOUNTING SOCKET	1
34	RL-37266	SPRING, HOLD DOWN,	1
35	SC-22268	SCREW, M3x0.5X8MM PAN	2
36	TI-35719	TIE, TWIST LOCK 0.5" STANDOFF	7
37	TM-33675	JUMPER STRIP	3
38	TM-34305	TERMINAL, SCREWLESS END	7
39	TM-34306	TERMINAL, GROUND, 6mm, SPRING	2
40	TM-34309	TERMINAL, END SECTION, SPRING	1
41	TM-34311	TERMINAL, FUSE HOLDER, 8mm	1
42	TM-34315	TERMINAL, END PLATE	1
43	TM-34881	TERMINAL, 3.5MM PLUGGABLE, 4 POLE	1
44	TM-34884	TERMINAL, 3.5MM PLUGGABLE, 6 POLE	2
45	TM-34889	TERMINAL, 3.5MM PLUGGABLE, 8 POLE	2
46	TM-34931	TERMINAL, 3.5MM PLUGGABLE, 7 POLE	2
47	TM-3779	TERMINAL BLOCK	6
48	TM-3785	TERMINALS, *CT, WALL, PART., 16MM	3
49	TM-3788	TERMINALS, MARK, L	3
50	TM-3790	TERMINALS, MARK, 1	1
51	TM-3791	TERMINALS, MARK, 2	1
52	TM-3792	TERMINALS, MARK, 3	1
53	TM-3932	TERMINAL, GROUND	1
54	TT-36119	THERMOSTAT, BI-METAL, 100 DEG CLOSE	1
55	WS-22299	WASHER, M3 SPLIT LOCK	2

Note: Refer to MN-35949 Rev.2 for part numbers of wiring chassis for previous models

ELECTRICAL CHASSIS – CTC 10-10G/7-20G 208-240V 3PH (5016169)

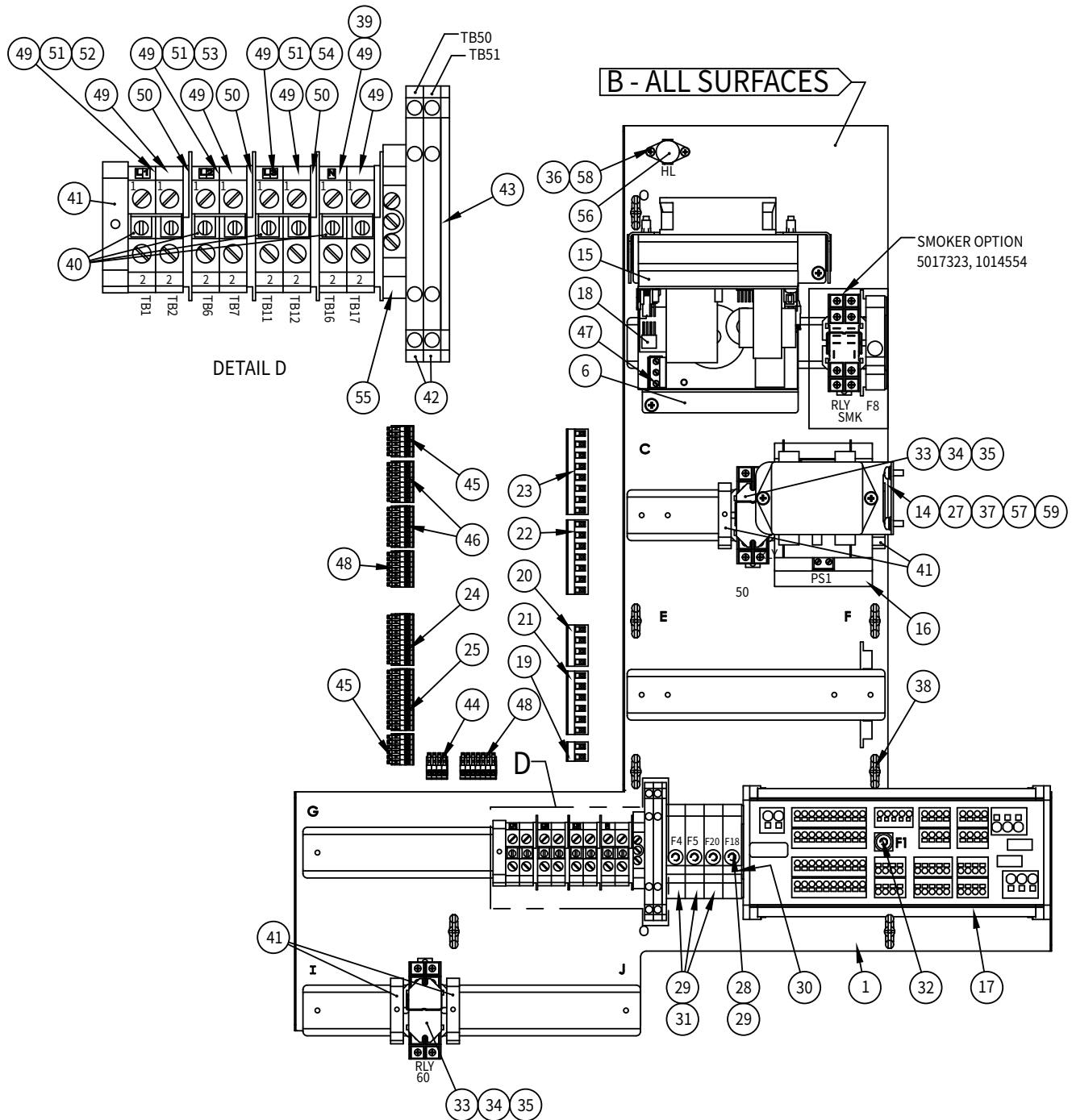


ELECTRICAL CHASSIS – CTC 10-10G/7-20G 208-240V 3PH (5016169)

ITEM	PART NUMBER	DESCRIPTION	5016169/QTY.
1	5014970	PANEL ASSEMBLY , ELEC CHASSIS	1
2	5015352	WIRE ASSEMBLY, TBL TOP CTC 3PH	1
3	5015355	WIRE ASSEMBLY, 7-20, 10-20 CTP	1
4	5015379	WIRE ASSEMBLY, CTC CLASSIC	1
5	5015380	WIRE ASSEMBLY, ALL ESG, ALL VOLTAGE	1
6	5015382	WIRE ASSEMBLY, CTC/CTP RELAY	1
7	5016435	WIRE ASSEMBLY, TBL TOP CTC/CTP ALL	1
8	5016436	WIRE ASSEMBLY, TBL TOP CTC/CTP ALL	1
9	5016753	WIRE ASSEMBLY, TABLETOP ALL VOLTS	1
10	5016783	WIRE ASSEMBLY, TABLE TOP CTC	1
11	5017978	WIRE ASSEMBLY, 120V & 208V, CTC TABLETOP	1
12	5017979	WIRE ASSEMBLY, 120V & 208V, CTC TABLETOP	1
13	BA-35693	BOARD, POWER SUPPLY 10-15VDC 8A	1
14	BA-37262	BOARD ASSEMBLY, MODULAR TERMINAL	1
15	CN-34304	CONTACTOR, 240V, 25 AMP	2
16	CR-35759	CONNECTOR, 2 TERMINAL	1
17	CR-35760	CONNECTOR, 4 TERMINAL	1
18	CR-35761	CONNECTOR, 6 TERMINAL	1
19	CR-35762	CONNECTOR, 7 TERMINAL	1
20	CR-35763	CONNECTOR, 8 TERMINAL	1
21	CR-35765	TERMINAL, 3.5MM PLUGGABLE, 10	1
22	CR-35766	TERMINAL, 3.5MM PLUGGABLE, 12	1
23	EV-28115	ENVELOPE, PRESS ON (NOT SHOWN)	1
24	FU-33184	5X20MM, SLOW BLO, 2 AMP, 250V	1
25	FU-34770	FUSE HOLDER, 3 BANK	1
26	FU-34771	FUSE HOLDER, 2 BANK	1
27	FU-34772	FUSE, 15 AMP	5
28	FU-36668	5X20MM, SLOW BLO, 5AMP, 250V	1
29	LA-38832	LABEL, FUSE WARNING	1
30	RL-33930	RELAY, 12VDC, 15A, 8 PINS	1
31	RL-34634	UNIVERSAL MOUNTING SOCKET	1
32	RL-37266	SPRING, HOLD DOWN,	1
33	SC-22268	SCREW, M3x0.5X8MM PAN	2
34	TI-35719	TIE, TWIST LOCK 0.5" STANDOFF	7
35	TM-33675	JUMPER STRIP	3
36	TM-34305	TERMINAL, SCREWLESS END	7
37	TM-34306	TERMINAL, GROUND, 6mm, SPRING	2
38	TM-34309	TERMINAL, END SECTION, SPRING	1
39	TM-34311	TERMINAL, FUSE HOLDER, 8mm	1
40	TM-34315	TERMINAL, END PLATE	1
41	TM-34881	TERMINAL, 3.5MM PLUGGABLE, 4 POLE	1
42	TM-34884	TERMINAL, 3.5MM PLUGGABLE, 6 POLE	2
43	TM-34931	TERMINAL, 3.5MM PLUGGABLE, 7 POLE	2
44	TM-3779	TERMINAL BLOCK	6
45	TM-3785	TERMINALS, *CT, WALL, PART., 16MM	3
46	TM-3788	TERMINALS, MARK, L	3
47	TM-3790	TERMINALS, MARK, 1	1
48	TM-3791	TERMINALS, MARK, 2	1
49	TM-3792	TERMINALS, MARK, 3	1
50	TM-3932	TERMINAL, GROUND	1
51	TT-36119	THERMOSTAT, BI-METAL, 100 DEG CLOSE	1
52	WS-22299	WASHER, M3 SPLIT LOCK	2
53	TM-34889	TERMINAL, 3.5MM PLUGGABLE, 8 POLE	2

Note: Refer to MN-35949 Rev.2 for part numbers of wiring chassis for previous models

ELECTRICAL CHASSIS – CTC 10-10G/7-20G 380V (5016180)



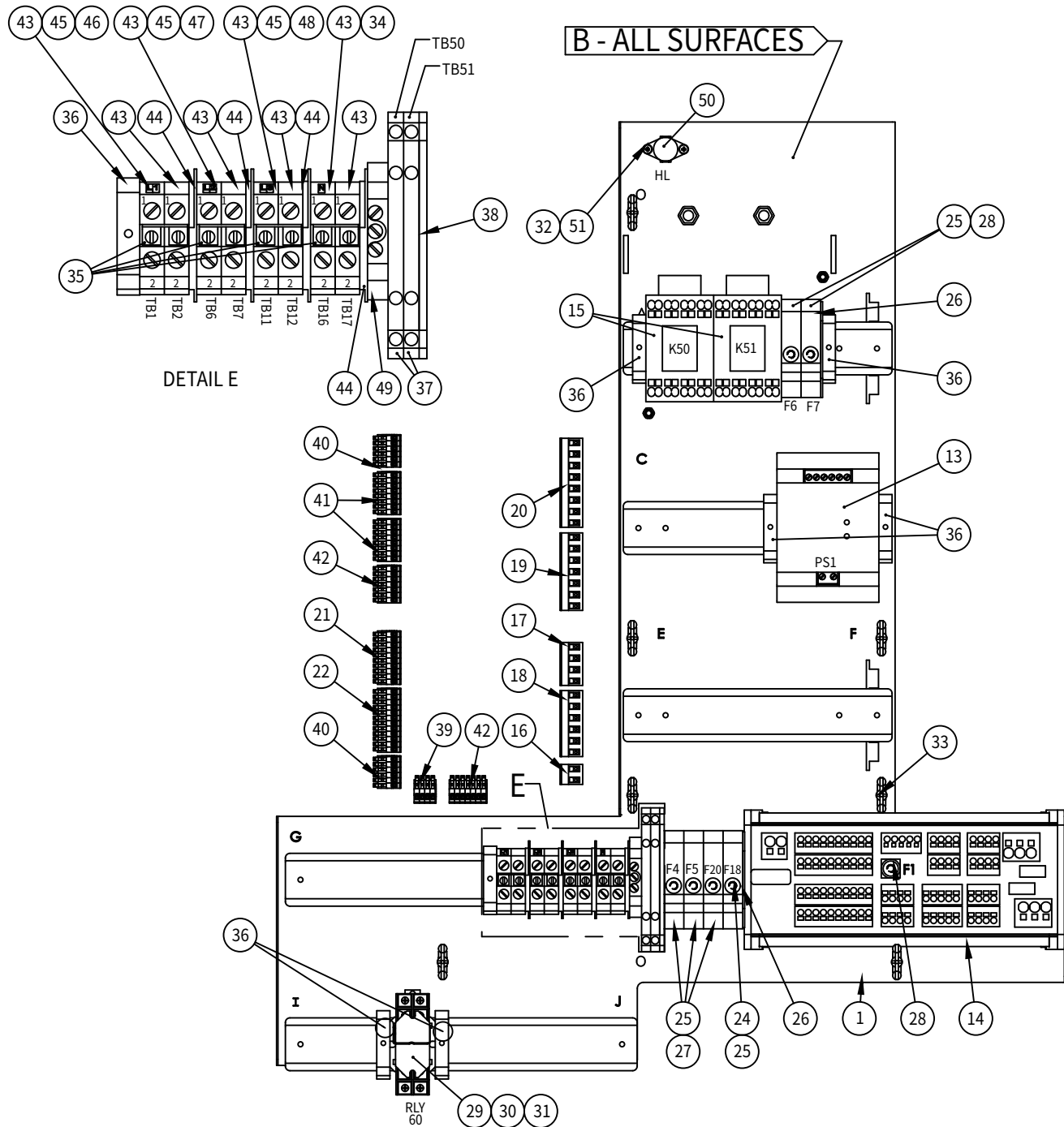
ELECTRICAL CHASSIS – CTC 10-10G/7-20G 380V (5016180)

* = not shown

ITEM	PART NUMBER	DESCRIPTION	5016180/QTY.	
1	5014970	PANEL ASSEMBLY , ELEC CHASSIS	1	
*	2	5015350	WIRE ASSEMBLY, TBL TOP CTP ALL	1
*	3	5015355	WIRE ASSEMBLY, 7-20, 10-20 CTP	1
*	4	5015380	WIRE ASSEMBLY, ALL ESG, ALL VOLTAGE	1
*	5	5015382	WIRE ASSEMBLY, CTC/CTP RELAY	1
*	6	5015481	BRACKET ASSEMBLY, MOTOR DRIVE MOUNT	1
*	7	5016379	WIRE ASSEMBLY, TBL TOP CLASSIC&	1
*	8	5016435	WIRE ASSEMBLY, TBL TOP CTC/CTP ALL	1
*	9	5016436	WIRE ASSEMBLY, TBL TOP CTC/CTP ALL	1
*	10	5016629	WIRE ASSEMBLY, CONTROL BOARD, CTP	1
*	11	5016750	WIRE ASSEMBLY, 380V CTC/CTP	1
*	12	5016753	WIRE ASSEMBLY, TABLETOP ALL VOLTS	1
*	13	5016795	WIRE ASSEMBLY, 6-10, 10-10	1
*	14	5017026	BRACKET, FILTER LINE, ASSEMBLY	1
*	15	BA-34676	BOARD, VF MOTOR DRIVE	1
*	16	BA-35693	BOARD, POWER SUPPLY 10-15VDC 8A	1
*	17	BA-37262	BOARD ASSEMBLY, MODULAR TERMINAL	1
*	18	CB-35777	CABLE, CAN-FAN, 4 POLE	1
*	19	CR-35759	CONNECTOR, 2 TERMINAL	1
*	20	CR-35760	CONNECTOR, 4 TERMINAL	1
*	21	CR-35761	CONNECTOR, 6 TERMINAL	1
*	22	CR-35762	CONNECTOR, 7 TERMINAL	1
*	23	CR-35763	CONNECTOR, 8 TERMINAL	1
*	24	CR-35765	TERMINAL, 3.5MM PLUGGABLE, 10	1
*	25	CR-35766	TERMINAL, 3.5MM PLUGGABLE, 12	1
*	26	EV-28115	ENVELOPE, PRESS ON (NOT SHOWN)	1
*	27	FI-33225	FILTER LINE 115/250V 50/60HZ	1
*	28	FU-33184	5X20MM, SLOW BLO, 2 AMP, 250V	1
*	29	FU-33451	FUSE, TERMINAL, 6.3AMP	4
*	30	FU-34749	FUSE, HOLDER COVER	1
*	31	FU-34921	FUSE, 15 AMP, 250V, 5mm X 20mm	3
*	32	FU-36668	5X20MM, SLOW BLO, 5AMP, 250V	1
*	33	RL-33930	RELAY, 12VDC, 15A, 8 PINS	2
*	34	RL-34634	UNIVERSAL MOUNTING SOCKET	2
*	35	RL-37266	SPRING, HOLD DOWN,	2
*	36	SC-22268	SCREW, M3x0.5X8MM PAN	2
*	37	SC-22273	SCREW, M4x0.7X10MM PAN	4
*	38	TI-35719	TIE, TWIST LOCK 0.5" STANDOFF	7
*	39	TM-33479	TERMINALS, MARK, N	1
*	40	TM-33675	JUMPER STRIP	4
*	41	TM-34305	TERMINAL, SCREWLESS END	5
*	42	TM-34306	TERMINAL, GROUND, 6mm, SPRING	2
*	43	TM-34309	TERMINAL, END SECTION, SPRING	1
*	44	TM-34881	TERMINAL, 3.5MM PLUGGABLE, 4 POLE	1
*	45	TM-34884	TERMINAL, 3.5MM PLUGGABLE, 6 POLE	2
*	46	TM-34889	TERMINAL, 3.5MM PLUGGABLE, 8 POLE	2
*	47	TM-34904	TERMINAL, 3-POLE GREEN, GMVSTBR	1
*	48	TM-34931	TERMINAL, 3.5MM PLUGGABLE, 7 POLE	2
*	49	TM-3779	TERMINAL BLOCK	8
*	50	TM-3785	TERMINALS, *CT, WALL, PART., 16MM	4
*	51	TM-3788	TERMINALS, MARK, L	3
*	52	TM-3790	TERMINALS, MARK, 1	1
*	53	TM-3791	TERMINALS, MARK, 2	1
*	54	TM-3792	TERMINALS, MARK, 3	1
*	55	TM-3932	TERMINAL, GROUND	1
*	56	TT-36119	THERMOSTAT, BI-METAL, 100 DEG CLOSE	1
*	57	WS-22294	WASHER, FLAT M4 18-8 S/S	4
*	58	WS-22299	WASHER, M3 SPLIT LOCK	2
*	59	WS-22300	WASHER, M4 SPLIT LOCK	4

Note: Refer to MN-35949 Rev.2 for part numbers of wiring chassis for previous models

ELECTRICAL CHASSIS – CTC 10-10G/7-20G 380-415V (5016181)



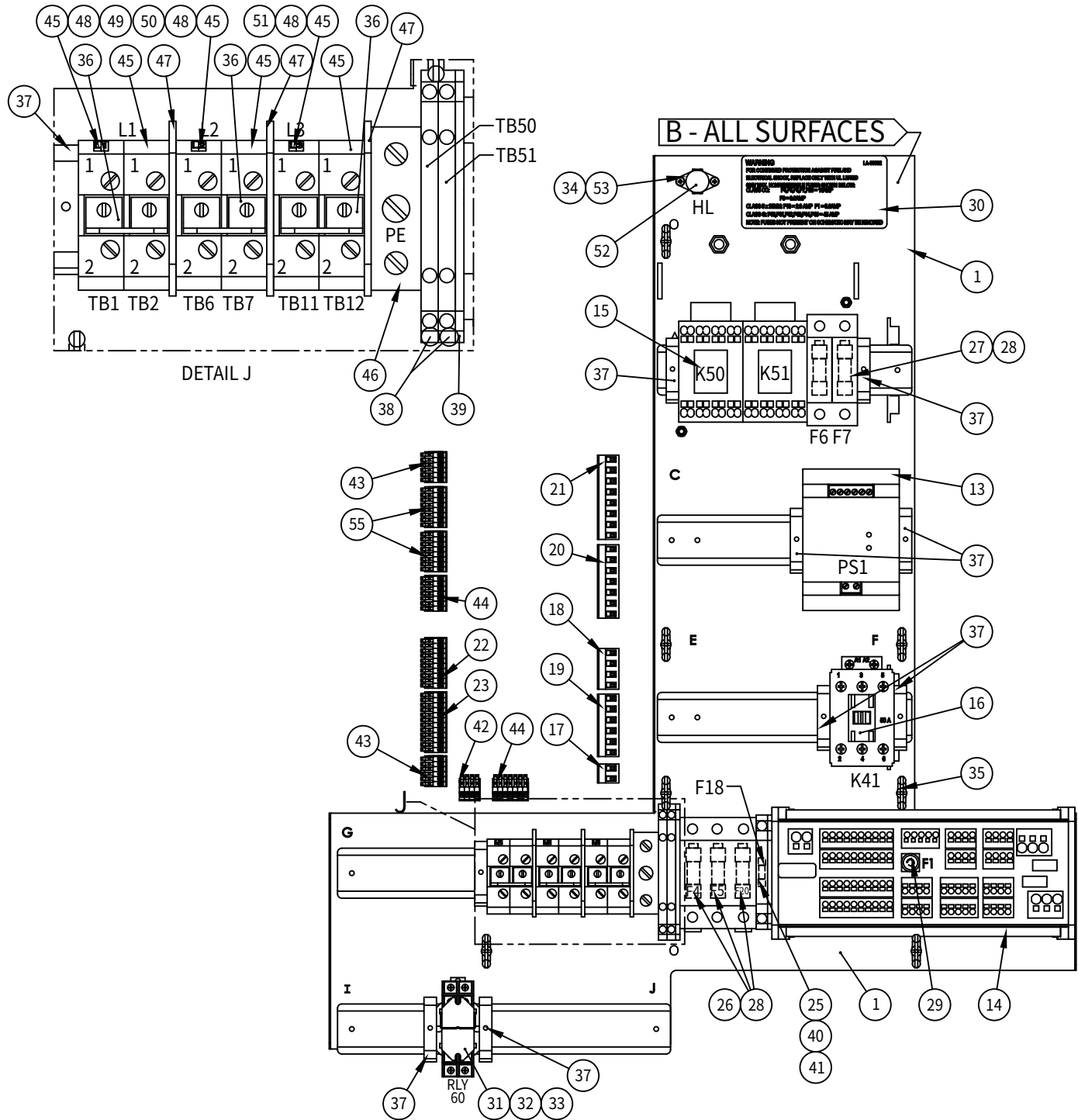
ELECTRICAL CHASSIS – CTC 10-10G/7-20G 380-415V (5016181)

* = not shown

ITEM	PART NUMBER	DESCRIPTION	5016181/QTY.	
1	5014970	PANEL ASSEMBLY , ELEC CHASSIS	1	
*	2	5015352	WIRE ASSEMBLY, TBL TOP CTC 3PH	1
*	3	5015355	WIRE ASSEMBLY, 7-20, 10-20 CTP	1
*	4	5015379	WIRE ASSEMBLY, CTC CLASSIC	1
*	5	5015380	WIRE ASSEMBLY, ALL ESG, ALL VOLTAGE	1
*	6	5015382	WIRE ASSEMBLY, CTC/CTP RELAY	1
*	7	5016435	WIRE ASSEMBLY, TBL TOP CTC/CTP ALL	1
*	8	5016436	WIRE ASSEMBLY, TBL TOP CTC/CTP ALL	1
*	9	5016753	WIRE ASSEMBLY, TABLETOP ALL VOLTS	1
*	10	5016783	WIRE ASSEMBLY, TABLE TOP CTC	1
*	11	5017979	WIRE ASSEMBLY, 120V & 208V, CTC TABLETOP	1
*	12	5017986	WIRE ASSEMBLY, 380V, CTC TABLETOP	1
	13	BA-35693	BOARD, POWER SUPPLY 10-15VDC 8A	1
	14	BA-37262	BOARD ASSEMBLY, MODULAR TERMINAL	1
	15	CN-34304	CONTACTOR, 240V, 25 AMP	2
	16	CR-35759	CONNECTOR, 2 TERMINAL	1
	17	CR-35760	CONNECTOR, 4 TERMINAL	1
	18	CR-35761	CONNECTOR, 6 TERMINAL	1
	19	CR-35762	CONNECTOR, 7 TERMINAL	1
	20	CR-35763	CONNECTOR, 8 TERMINAL	1
	21	CR-35765	TERMINAL, 3.5MM PLUGGABLE, 10	1
	22	CR-35766	TERMINAL, 3.5MM PLUGGABLE, 12	1
	23	EV-28115	ENVELOPE, PRESS ON (NOT SHOWN)	1
	24	FU-33184	5X20MM, SLOW BLO, 2 AMP, 250V	1
	25	FU-33451	FUSE, TERMINAL, 6.3AMP	6
	26	FU-34749	FUSE, HOLDER COVER	2
	27	FU-34921	FUSE, 15 AMP, 250V, 5mm X 20mm	3
	28	FU-36668	5X20MM, SLOW BLO, 5AMP, 250V	3
	29	RL-33930	RELAY, 12VDC, 15A, 8 PINS	1
	30	RL-34634	UNIVERSAL MOUNTING SOCKET	1
	31	RL-37266	SPRING, HOLD DOWN,	1
	32	SC-22268	SCREW, M3x0.5X8MM PAN	2
	33	TI-35719	TIE, TWIST LOCK 0.5" STANDOFF	7
	34	TM-33479	TERMINALS, MARK, N	1
	35	TM-33675	JUMPER STRIP	4
	36	TM-34305	TERMINAL, SCREWLESS END	7
	37	TM-34306	TERMINAL, GROUND, 6mm, SPRING	2
	38	TM-34309	TERMINAL, END SECTION, SPRING	1
	39	TM-34881	TERMINAL, 3.5MM PLUGGABLE, 4 POLE	1
	40	TM-34884	TERMINAL, 3.5MM PLUGGABLE, 6 POLE	2
	41	TM-34889	TERMINAL, 3.5MM PLUGGABLE, 8 POLE	2
	42	TM-34931	TERMINAL, 3.5MM PLUGGABLE, 7 POLE	2
	43	TM-3779	TERMINAL BLOCK	8
	44	TM-3785	TERMINALS, *CT, WALL, PART., 16MM	4
	45	TM-3788	TERMINALS, MARK, L	3
	46	TM-3790	TERMINALS, MARK, 1	1
	47	TM-3791	TERMINALS, MARK, 2	1
	48	TM-3792	TERMINALS, MARK, 3	1
	49	TM-3932	TERMINAL, GROUND	1
	50	TT-36119	THERMOSTAT, BI-METAL, 100 DEG CLOSE	1
	51	WS-22299	WASHER, M3 SPLIT LOCK	2

Note: Refer to MN-35949 Rev.2 for part numbers of wiring chassis for previous models

ELECTRICAL CHASSIS – CTC 10-10E/7-20E 208-240V 3P_H (5016170)

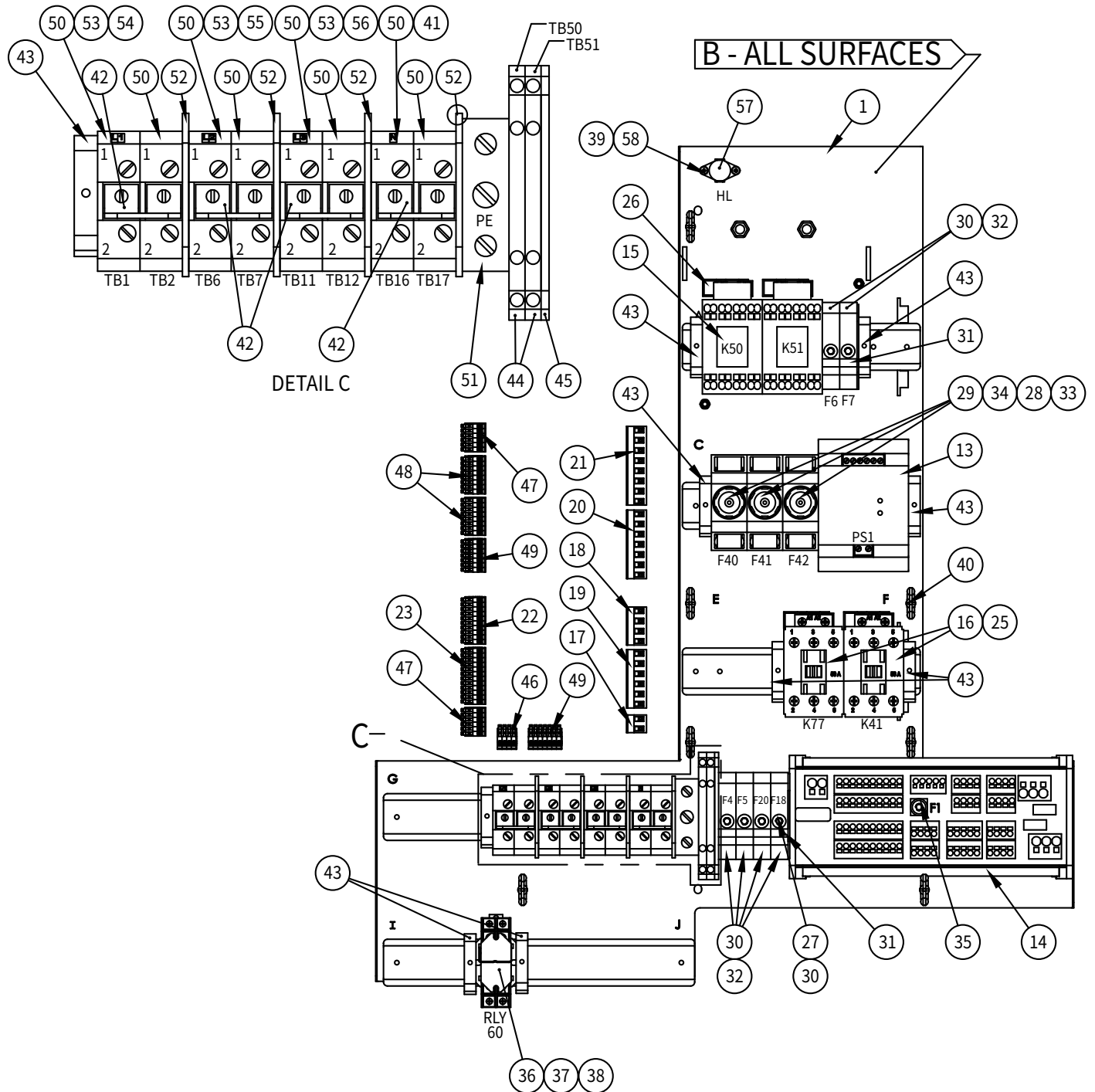


ELECTRICAL CHASSIS – CTC 10-10E/7-20E 208-240V 3P_H (5016170)

ITEM	PART NUMBER	DESCRIPTION	5016170/QTY.
1	5014970	PANEL ASSEMBLY , ELEC CHASSIS	1
2	5015352	WIRE ASSEMBLY, TBL TOP CTC 3PH	1
3	5015379	WIRE ASSEMBLY, CTC CLASSIC	1
4	5015382	WIRE ASSEMBLY, CTC/CTP RELAY	1
5	5016388	WIRE ASSEMBLY, 6-10, 10-10, 7-20	1
6	5016435	WIRE ASSEMBLY, TBL TOP CTC/CTP ALL	1
7	5016436	WIRE ASSEMBLY, TBL TOP CTC/CTP ALL	1
8	5016450	WIRE ASSEMBLY, 6-10, 10-10, 7-20 CTC	1
9	5016753	WIRE ASSEMBLY, TABLETOP ALL VOLTS	1
10	5016783	WIRE ASSEMBLY, TABLE TOP CTC	1
11	5017978	WIRE ASSEMBLY, 120V & 208V, CTC TABLETOP	1
12	5017979	WIRE ASSEMBLY, 120V & 208V, CTC TABLETOP	1
13	BA-35693	BOARD, POWER SUPPLY 10-15VDC 8A	1
14	BA-37262	BOARD ASSEMBLY, MODULAR TERMINAL	1
15	CN-34304	CONTACTOR, 240V, 25 AMP	2
16	CN-3731	CONTACTOR, 50 AMP	1
17	CR-35759	CONNECTOR, 2 TERMINAL	1
18	CR-35760	CONNECTOR, 4 TERMINAL	1
19	CR-35761	CONNECTOR, 6 TERMINAL	1
20	CR-35762	CONNECTOR, 7 TERMINAL	1
21	CR-35763	CONNECTOR, 8 TERMINAL	1
22	CR-35765	TERMINAL, 3.5MM PLUGGABLE, 10	1
23	CR-35766	TERMINAL, 3.5MM PLUGGABLE, 12	1
24	EV-28115	ENVELOPE, PRESS ON (NOT SHOWN)	1
25	FU-33184	5X20MM, SLOW BLO, 2 AMP, 250V	1
26	FU-34770	FUSE HOLDER, 3 BANK	1
27	FU-34771	FUSE HOLDER, 2 BANK	1
28	FU-34772	FUSE, 15 AMP	5
29	FU-36668	5X20MM, SLOW BLO, 5AMP, 250V	1
30	LA-38832	LABEL, FUSE WARNING	1
31	RL-33930	RELAY, 12VDC, 15A, 8 PINS	1
32	RL-34634	UNIVERSAL MOUNTING SOCKET	1
33	RL-37266	SPRING, HOLD DOWN,	1
34	SC-22268	SCREW, M3x0.5X8MM PAN	2
35	TI-35719	TIE, TWIST LOCK 0.5" STANDOFF	7
36	TM-33837	JUMPER STRIP	3
37	TM-34305	TERMINAL, SCREWLESS END	9
38	TM-34306	TERMINAL, GROUND, 6mm, SPRING	2
39	TM-34309	TERMINAL, END SECTION, SPRING	1
40	TM-34311	TERMINAL, FUSE HOLDER, 8mm	1
41	TM-34315	TERMINAL, END PLATE	1
42	TM-34881	TERMINAL, 3.5MM PLUGGABLE, 4 POLE	1
43	TM-34884	TERMINAL, 3.5MM PLUGGABLE, 6 POLE	2
44	TM-34931	TERMINAL, 3.5MM PLUGGABLE, 7 POLE	2
45	TM-3780	TERMINALS, *CT, SER., 35MM	6
46	TM-3782	TERMINAL, GROUND, 35mm	1
47	TM-3786	TERMINAL, CT, 35mm WALL, PART	3
48	TM-3788	TERMINALS, MARK, L	3
49	TM-3790	TERMINALS, MARK, 1	1
50	TM-3791	TERMINALS, MARK, 2	1
51	TM-3792	TERMINALS, MARK, 3	1
52	TT-36119	THERMOSTAT, BI-METAL, 100 DEG CLOSE	1
53	WS-22299	WASHER, M3 SPLIT LOCK	2
54	5016795	WIRE ASSEMBLY, 6-10, 10-10	1
55	TM-34889	TERMINAL, 3.5MM PLUGGABLE, 8 POLE	2

Note: Refer to MN-35949 Rev.2 for part numbers of wiring chassis for previous models

ELECTRICAL CHASSIS – CTC 10-10E/7-20E 380-415V (5016172)



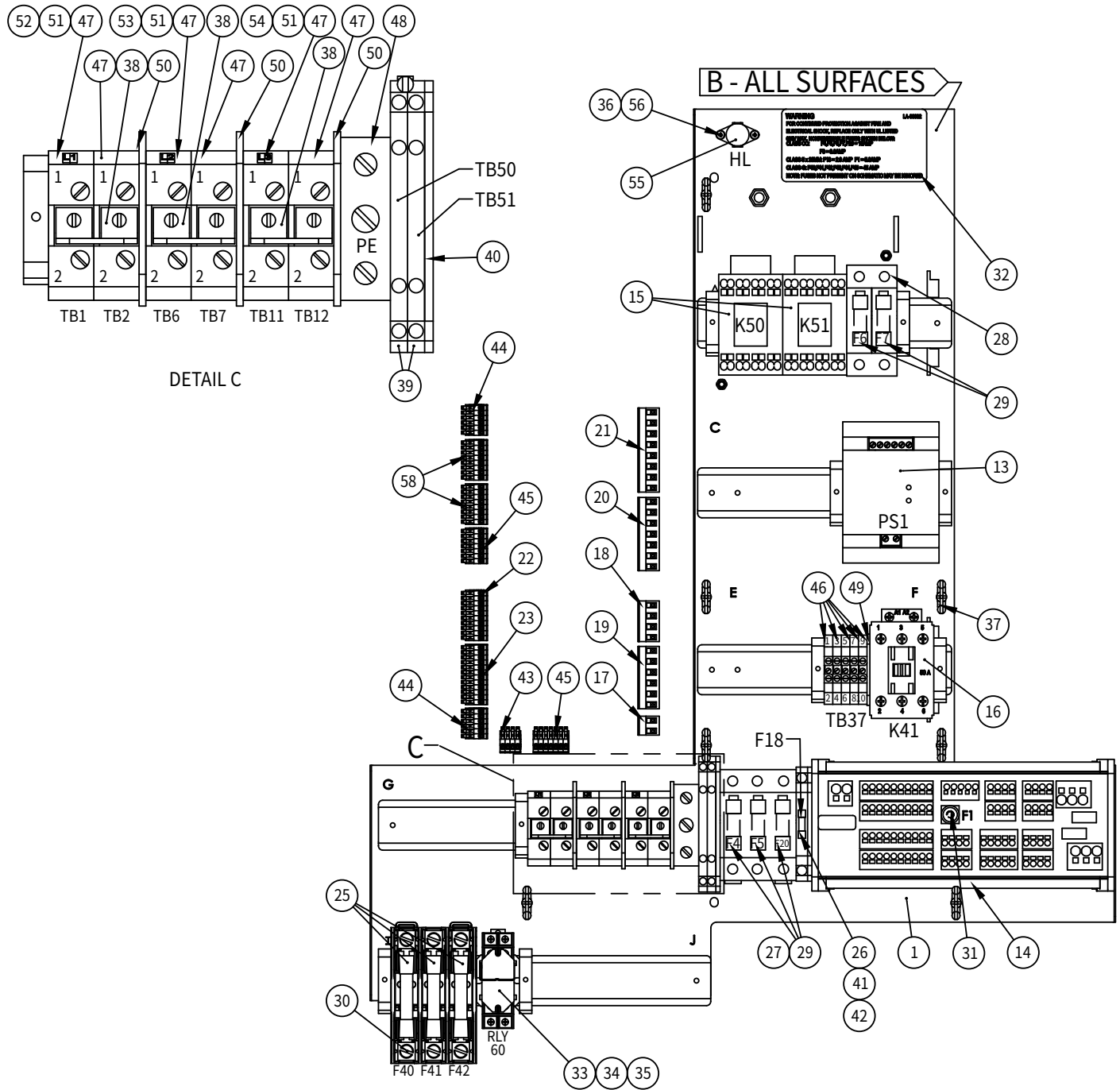
ELECTRICAL CHASSIS – CTC 10-10E/7-20E 380-415V (5016172)

* = not shown

ITEM	PART NUMBER	DESCRIPTION	5016172/ QTY.
1	5014970	PANEL ASSEMBLY , ELEC CHASSIS	1
2	5015352	WIRE ASSEMBLY, TBL TOP CTC 3PH	1
3	5015379	WIRE ASSEMBLY, CTC CLASSIC	1
4	5015382	WIRE ASSEMBLY, CTC/CTP RELAY	1
5	5016392	WIRE ASSEMBLY, CTC 380V	1
6	5016435	WIRE ASSEMBLY, TBL TOP CTC/CTP ALL	1
7	5016436	WIRE ASSEMBLY, TBL TOP CTC/CTP ALL	1
8	5016450	WIRE ASSEMBLY, 6-10, 10-10, 7-20 CTC	1
9	5016753	WIRE ASSEMBLY, TABLETOP ALL VOLTS	1
10	5016783	WIRE ASSEMBLY, TABLE TOP CTC	1
11	5017979	WIRE ASSEMBLY, 120V & 208V, CTC TABLETOP	1
12	5017986	WIRE ASSEMBLY, 380V, CTC TABLETOP	1
13	BA-35693	BOARD, POWER SUPPLY 10-15VDC 8A	1
14	BA-37262	BOARD ASSEMBLY, MODULAR TERMINAL	1
15	CN-34304	CONTACTOR, 240V, 25 AMP	2
16	CN-3731	CONTACTOR, 50 AMP	2
17	CR-35759	CONNECTOR, 2 TERMINAL	1
18	CR-35760	CONNECTOR, 4 TERMINAL	1
19	CR-35761	CONNECTOR, 6 TERMINAL	1
20	CR-35762	CONNECTOR, 7 TERMINAL	1
21	CR-35763	CONNECTOR, 8 TERMINAL	1
22	CR-35765	TERMINAL, 3.5MM PLUGGABLE, 10	1
23	CR-35766	TERMINAL, 3.5MM PLUGGABLE, 12	1
24	EV-28115	ENVELOPE, PRESS ON (NOT SHOWN)	1
25	FI-33990	EMI FILTER	2
26	FI-34492	FILTER, FOR SPRING CLAMP	2
27	FU-33184	5X20MM, SLOW BLO, 2 AMP, 250V	1
28	FU-33444	FUSE, DO2 NEOZED BASE & COVER	3
29	FU-33445	FUSE, DO2 NEOZED SCREW CAP	3
30	FU-33451	FUSE, TERMINAL, 6.3AMP	6
31	FU-34749	FUSE, HOLDER COVER	2
32	FU-34921	FUSE, 15 AMP, 250V, 5mm X 20mm	5
33	FU-35497	FUSE, DO2 NEOZED GAUGE RING 50A	3
34	FU-35850	FUSE, DO2 NEOZED 50A, WHITE	3
35	FU-36668	5X20MM, SLOW BLO, 5AMP, 250V	1
36	RL-33930	RELAY, 12VDC, 15A, 8 PINS	1
37	RL-34634	UNIVERSAL MOUNTING SOCKET	1
38	RL-37266	SPRING, HOLD DOWN,	1
39	SC-22268	SCREW, M3x0.5X8MM PAN	2
40	TI-35719	TIE, TWIST LOCK 0.5" STANDOFF	7
41	TM-33479	TERMINALS, MARK, N	1
42	TM-33837	JUMPER STRIP	4
43	TM-34305	TERMINAL, SCREWLESS END	9
44	TM-34306	TERMINAL, GROUND, 6mm, SPRING	2
45	TM-34309	TERMINAL, END SECTION, SPRING	1
46	TM-34881	TERMINAL, 3.5MM PLUGGABLE, 4 POLE	1
47	TM-34884	TERMINAL, 3.5MM PLUGGABLE, 6 POLE	2
48	TM-34889	TERMINAL, 3.5MM PLUGGABLE, 8 POLE	2
49	TM-34931	TERMINAL, 3.5MM PLUGGABLE, 7 POLE	2
50	TM-3780	TERMINALS, *CT, SER., 35MM	8
51	TM-3782	TERMINAL, GROUND, 35mm	1
52	TM-3786	TERMINAL, CT, 35mm WALL, PART	4
53	TM-3788	TERMINALS, MARK, L	3
54	TM-3790	TERMINALS, MARK, 1	1
55	TM-3791	TERMINALS, MARK, 2	1
56	TM-3792	TERMINALS, MARK, 3	1
57	TT-36119	THERMOSTAT, BI-METAL, 100 DEG CLOSE	1
58	WS-22299	WASHER, M3 SPLIT LOCK	2

Note: Refer to MN-35949 Rev.2 for part numbers of wiring chassis for previous models

ELECTRICAL CHASSIS – CTC 10-10E/7-20E 440-480V (5016174)

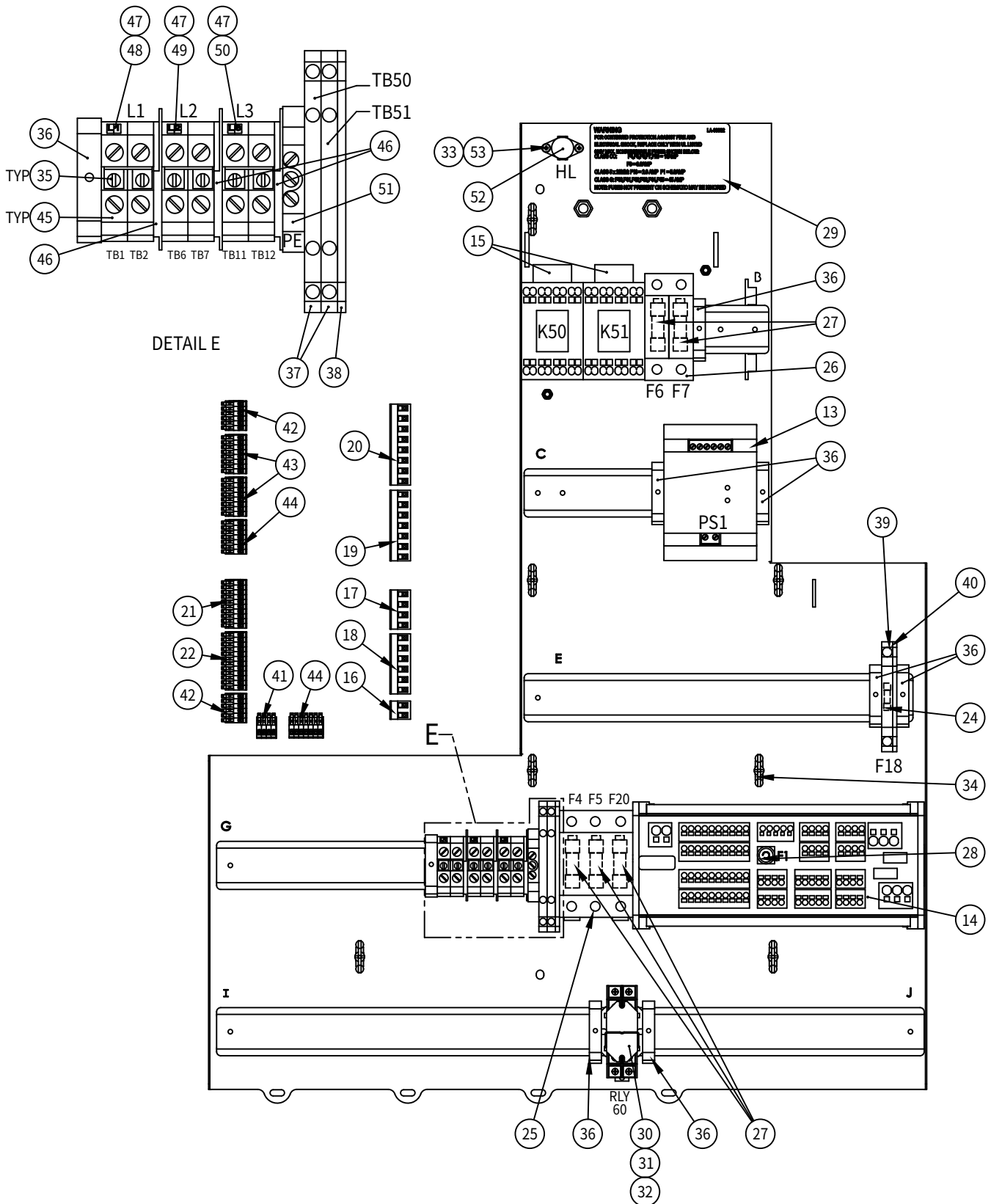


ELECTRICAL CHASSIS – CTC 10-10E/7-20E 440-480V (5016174)

ITEM	PART NUMBER	DESCRIPTION	5016174/QTY.
1	5014970	PANEL ASSEMBLY , ELEC CHASSIS	1
2	5015352	WIRE ASSEMBLY, TBL TOP CTC 3PH	1
3	5015358	WIRE ASSEMBLY, 440V POWER CVRSN	1
4	5015379	WIRE ASSEMBLY, CTC CLASSIC	1
5	5015382	WIRE ASSEMBLY, CTC/CTP RELAY	1
6	5016395	WIRE ASSEMBLY, 6-10, 10-10, 7-20	1
7	5016435	WIRE ASSEMBLY, TBL TOP CTC/CTP ALL	1
8	5016436	WIRE ASSEMBLY, TBL TOP CTC/CTP ALL	1
9	5016450	WIRE ASSEMBLY, 6-10, 10-10, 7-20 CTC	1
10	5016753	WIRE ASSEMBLY, TABLETOP ALL VOLTS	1
11	5016783	WIRE ASSEMBLY, TABLE TOP CTC	1
12	5017979	WIRE ASSEMBLY, 120V & 208V, CTC TABLETOP	1
13	BA-35693	BOARD, POWER SUPPLY 10-15VDC 8A	1
14	BA-37262	BOARD ASSEMBLY, MODULAR TERMINAL	1
15	CN-34304	CONTACTOR, 240V, 25 AMP	2
16	CN-3731	CONTACTOR, 50 AMP	1
17	CR-35759	CONNECTOR, 2 TERMINAL	1
18	CR-35760	CONNECTOR, 4 TERMINAL	1
19	CR-35761	CONNECTOR, 6 TERMINAL	1
20	CR-35762	CONNECTOR, 7 TERMINAL	1
21	CR-35763	CONNECTOR, 8 TERMINAL	1
22	CR-35765	TERMINAL, 3.5MM PLUGGABLE, 10	1
23	CR-35766	TERMINAL, 3.5MM PLUGGABLE, 12	1
24	EV-28115	ENVELOPE, PRESS ON (NOT SHOWN)	1
25	FU-33040	45A, MP, CLASS G, 480V MED. TIME-LAG	3
26	FU-33184	5X20MM, SLOW BLO, 2 AMP, 250V	1
27	FU-34770	FUSE HOLDER, 3 BANK	1
28	FU-34771	FUSE HOLDER, 2 BANK	1
29	FU-34772	FUSE, 15 AMP	5
30	FU-35728	FUSE HOLDER, 60A 480V CLASS G	1
31	FU-36668	5X20MM, SLOW BLO, 5AMP, 250V	1
32	LA-38832	LABEL, FUSE WARNING	1
33	RL-33930	RELAY, 12VDC, 15A, 8 PINS	1
34	RL-34634	UNIVERSAL MOUNTING SOCKET	1
35	RL-37266	SPRING, HOLD DOWN,	1
36	SC-22268	SCREW, M3x0.5X8MM PAN	2
37	TI-35719	TIE, TWIST LOCK 0.5" STANDOFF	7
38	TM-33837	JUMPER STRIP	3
39	TM-34306	TERMINAL, GROUND, 6mm, SPRING	2
40	TM-34309	TERMINAL, END SECTION, SPRING	1
41	TM-34311	TERMINAL, FUSE HOLDER, 8mm	1
42	TM-34315	TERMINAL, END PLATE	1
43	TM-34881	TERMINAL, 3.5MM PLUGGABLE, 4 POLE	1
44	TM-34884	TERMINAL, 3.5MM PLUGGABLE, 6 POLE	2
45	TM-34931	TERMINAL, 3.5MM PLUGGABLE, 7 POLE	2
46	TM-3778	TERMINALS, *CT, SERIES, 4MM	5
47	TM-3780	TERMINALS, *CT, SER., 35MM	6
48	TM-3782	TERMINAL, GROUND, 35mm	1
49	TM-3783	TERMINAL, WALL, 4MM	1
50	TM-3786	TERMINAL, CT, 35mm WALL, PART	3
51	TM-3788	TERMINALS, MARK, L	3
52	TM-3790	TERMINALS, MARK, 1	1
53	TM-3791	TERMINALS, MARK, 2	1
54	TM-3792	TERMINALS, MARK, 3	1
55	TT-36119	THERMOSTAT, BI-METAL, 100 DEG CLOSE	1
56	WS-22299	WASHER, M3 SPLIT LOCK	2
57	TM-34305	TERMINAL, SCREWLESS END	9
58	TM-34889	TERMINAL, 3.5MM PLUGGABLE, 8 POLE	2

Note: Refer to MN-35949 Rev.2 for part numbers of wiring chassis for previous models

ELECTRICAL CHASSIS – CTC 10-20G 208-240V (5016215)

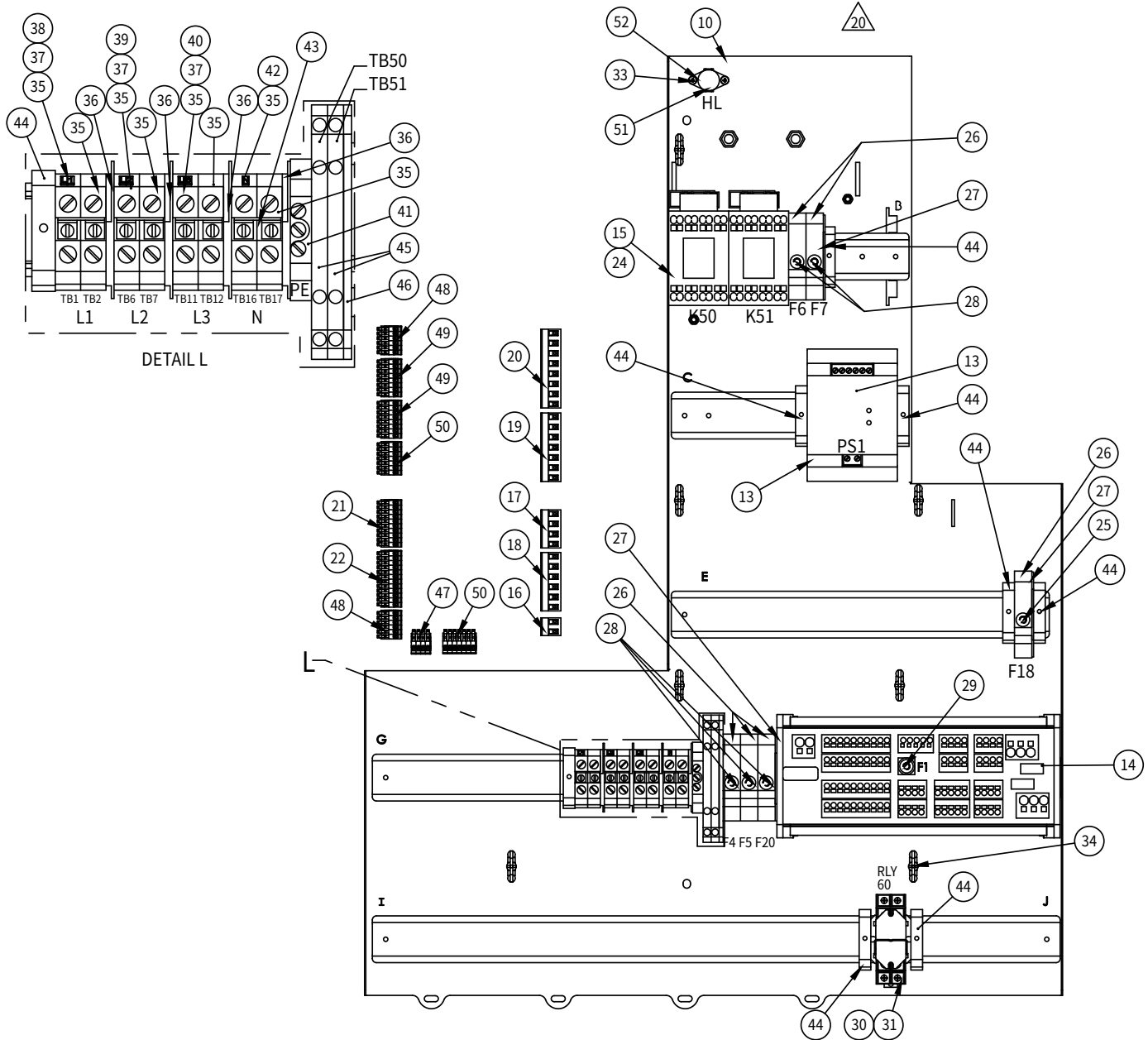


ELECTRICAL CHASSIS – CTC 10-20G 208-240V (5016215)

ITEM	PART NUMBER	DESCRIPTION	5016215/ QTY.
* 1	5015352	WIRE ASSEMBLY, TBL TOP CTC 3PH	1
* 2	5015353	WIRE ASSEMBLY, 10-20 120/208V	1
* 3	5015380	WIRE ASSEMBLY, ALL ESG, ALL VOLTAGE	1
* 4	5016283	WIRE ASSEMBLY, 10-20 CTC/CTP ALL	1
* 5	5016402	WIRE ASSEMBLY, 10-20 CTC ALL	1
* 6	5016435	WIRE ASSEMBLY, TBL TOP CTC/CTP ALL	1
* 7	5016436	WIRE ASSEMBLY, TBL TOP CTC/CTP ALL	1
* 8	5016753	WIRE ASSEMBLY, TABLETOP ALL VOLTS	1
* 9	5016783	WIRE ASSEMBLY, TABLE TOP CTC	1
10	5016893	PANEL ASSEMBLY, ELECTRICAL CHASSIS,	1
* 11	5017978	WIRE ASSEMBLY, 120V & 208V, CTC TABLETOP	1
* 12	5017979	WIRE ASSEMBLY, 120V & 208V, CTC TABLETOP	1
13	BA-35693	BOARD, POWER SUPPLY 10-15VDC 8A	1
14	BA-37262	BOARD ASSEMBLY, MODULAR TERMINAL	1
15	CN-34304	CONTACTOR, 240V, 25 AMP	2
16	CR-35759	CONNECTOR, 2 TERMINAL	1
17	CR-35760	CONNECTOR, 4 TERMINAL	1
18	CR-35761	CONNECTOR, 6 TERMINAL	1
19	CR-35762	CONNECTOR, 7 TERMINAL	1
20	CR-35763	CONNECTOR, 8 TERMINAL	1
21	CR-35765	TERMINAL, 3.5MM PLUGGABLE, 10	1
22	CR-35766	TERMINAL, 3.5MM PLUGGABLE, 12	1
* 23	EV-28115	ENVELOPE, PRESS ON (NOT SHOWN)	1
24	FU-33184	5X20MM, SLOW BLO, 2 AMP, 250V	1
25	FU-34770	FUSE HOLDER, 3 BANK	1
26	FU-34771	FUSE HOLDER, 2 BANK	1
27	FU-34772	FUSE, 15 AMP	5
28	FU-36668	5X20MM, SLOW BLO, 5AMP, 250V	1
29	LA-38832	LABEL, FUSE WARNING	1
30	RL-33930	RELAY, 12VDC, 15A, 8 PINS	1
31	RL-34634	UNIVERSAL MOUNTING SOCKET	1
32	RL-37266	SPRING, HOLD DOWN,	1
33	SC-22268	SCREW, M3x0.5X8MM PAN	2
34	TI-35719	TIE, TWIST LOCK 0.5" STANDOFF	7
35	TM-33675	JUMPER STRIP	3
36	TM-34305	TERMINAL, SCREWLESS END	8
37	TM-34306	TERMINAL, GROUND, 6mm, SPRING	2
38	TM-34309	TERMINAL, END SECTION, SPRING	1
39	TM-34311	TERMINAL, FUSE HOLDER, 8mm	1
40	TM-34315	TERMINAL, END PLATE	1
41	TM-34881	TERMINAL, 3.5MM PLUGGABLE, 4 POLE	1
42	TM-34884	TERMINAL, 3.5MM PLUGGABLE, 6 POLE	2
43	TM-34889	TERMINAL, 3.5MM PLUGGABLE, 8 POLE	2
44	TM-34931	TERMINAL, 3.5MM PLUGGABLE, 7 POLE	2
45	TM-3779	TERMINAL BLOCK	6
46	TM-3785	TERMINALS, *CT, WALL, PART., 16MM	3
47	TM-3788	TERMINALS, MARK, L	3
48	TM-3790	TERMINALS, MARK, 1	1
49	TM-3791	TERMINALS, MARK, 2	1
50	TM-3792	TERMINALS, MARK, 3	1
51	TM-3932	TERMINAL, GROUND	1
52	TT-36119	THERMOSTAT, BI-METAL, 100 DEG CLOSE	1
53	WS-22299	WASHER, M3 SPLIT LOCK	2

Note: Refer to MN-35949 Rev.2 for part numbers of wiring chassis for previous models

ELECTRICAL CHASSIS – CTC 10-20G 380-415V (5016216)

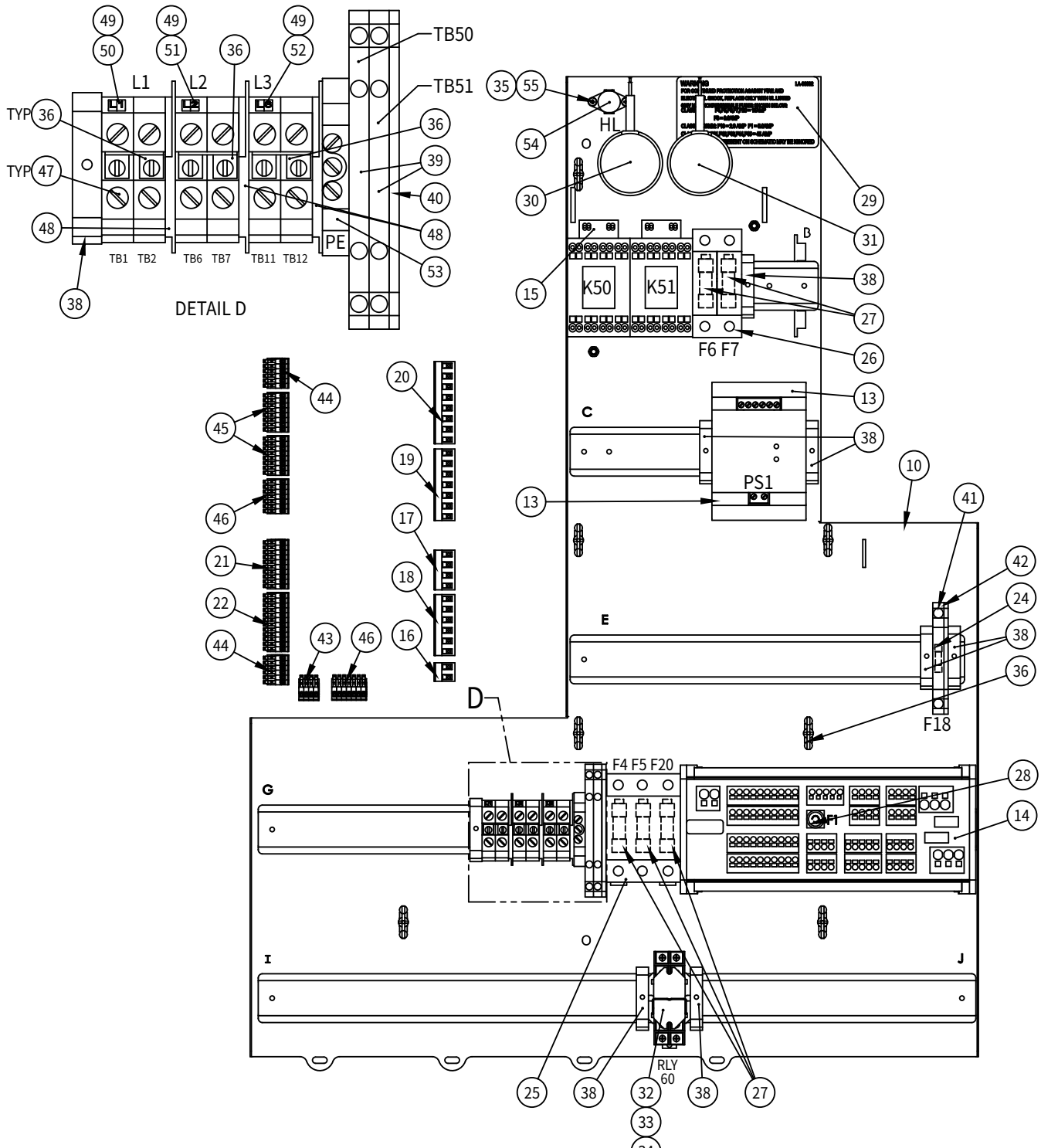


ELECTRICAL CHASSIS – CTC 10-20G 380-415V (5016216)

ITEM	PART NUMBER	DESCRIPTION	5016216/QTY.
1	5015352	WIRE ASSEMBLY, TBL TOP CTC 3PH	1
2	5015353	WIRE ASSEMBLY, 10-20 120/208V	1
3	5015380	WIRE ASSEMBLY, ALL ESG, ALL VOLTAGE	1
4	5016283	WIRE ASSEMBLY, 10-20 CTC/CTP ALL	1
5	5016402	WIRE ASSEMBLY, 10-20 CTC ALL	1
6	5016435	WIRE ASSEMBLY, TBL TOP CTC/CTP ALL	1
7	5016436	WIRE ASSEMBLY, TBL TOP CTC/CTP ALL	1
8	5016753	WIRE ASSEMBLY, TABLETOP ALL VOLTS	1
9	5016783	WIRE ASSEMBLY, TABLE TOP CTC	1
10	5016893	PANEL ASSEMBLY, ELECTRICAL CHASSIS,	1
11	5017979	WIRE ASSEMBLY, 120V & 208V, CTC TABLETOP	1
12	5017986	WIRE ASSEMBLY, 380V, CTC TABLETOP	1
13	BA-35693	BOARD, POWER SUPPLY 10-15VDC 8A	1
14	BA-37262	BOARD ASSEMBLY, MODULAR TERMINAL	1
15	CN-34304	CONTACTOR, 240V, 25 AMP	2
16	CR-35759	CONNECTOR, 2 TERMINAL	1
17	CR-35760	CONNECTOR, 4 TERMINAL	1
18	CR-35761	CONNECTOR, 6 TERMINAL	1
19	CR-35762	CONNECTOR, 7 TERMINAL	1
20	CR-35763	CONNECTOR, 8 TERMINAL	1
21	CR-35765	TERMINAL, 3.5MM PLUGGABLE, 10	1
22	CR-35766	TERMINAL, 3.5MM PLUGGABLE, 12	1
23	EV-28115	ENVELOPE, PRESS ON (NOT SHOWN)	1
24	FI-34492	FILTER, FOR SPRING CLAMP	2
25	FU-33184	5X20MM, SLOW BLO, 2 AMP, 250V	1
26	FU-33451	FUSE, TERMINAL, 6.3AMP	6
27	FU-34749	FUSE, HOLDER COVER	3
28	FU-34921	FUSE, 15 AMP, 250V, 5mm X 20mm	5
29	FU-36668	5X20MM, SLOW BLO, 5AMP, 250V	1
30	RL-33930	RELAY, 12VDC, 15A, 8 PINS	1
31	RL-34634	UNIVERSAL MOUNTING SOCKET	1
32	RL-37266	SPRING, HOLD DOWN,	1
33	SC-22268	SCREW, M3x0.5X8MM PAN	2
34	TI-35719	TIE, TWIST LOCK 0.5" STANDOFF	7
35	TM-3779	TERMINAL BLOCK	8
36	TM-3785	TERMINALS, *CT, WALL, PART., 16MM	4
37	TM-3788	TERMINALS, MARK, L	3
38	TM-3790	TERMINALS, MARK, 1	1
39	TM-3791	TERMINALS, MARK, 2	1
40	TM-3792	TERMINALS, MARK, 3	1
41	TM-3932	TERMINAL, GROUND	1
42	TM-33479	TERMINALS, MARK, N	1
43	TM-33675	JUMPER STRIP	4
44	TM-34305	TERMINAL, SCREWLESS END	8
45	TM-34306	TERMINAL, GROUND, 6mm, SPRING	2
46	TM-34309	TERMINAL, END SECTION, SPRING	1
47	TM-34881	TERMINAL, 3.5MM PLUGGABLE, 4 POLE	1
48	TM-34884	TERMINAL, 3.5MM PLUGGABLE, 6 POLE	2
49	TM-34889	TERMINAL, 3.5MM PLUGGABLE, 8 POLE	2
50	TM-34931	TERMINAL, 3.5MM PLUGGABLE, 7 POLE	2
51	TT-36119	THERMOSTAT, BI-METAL, 100 DEG CLOSE	1
52	WS-22299	WASHER, M3 SPLIT LOCK	2

Note: Refer to MN-35949 Rev.2 for part numbers of wiring chassis for previous models

ELECTRICAL CHASSIS – CTC 10-20E 120V (5016214)



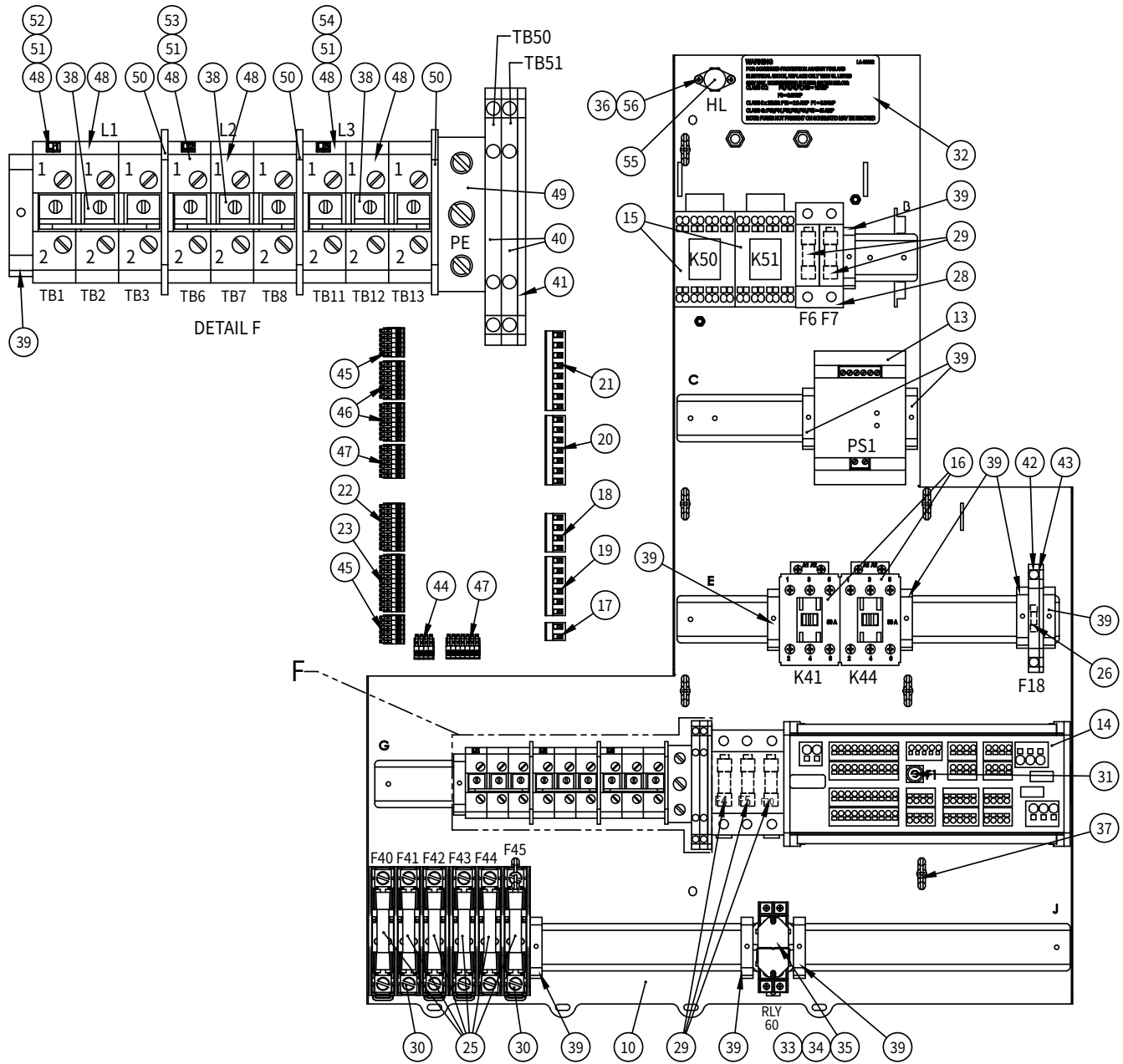
ELECTRICAL CHASSIS – CTC 10-20E 120V (5016214)

* = not shown

ITEM	PART NUMBER	DESCRIPTION	5016214 /QTY.	
*	1	5015353	WIRE ASSEMBLY, 10-20 120/208V	1
*	2	5015380	WIRE ASSEMBLY, ALL ESG, ALL VOLTAGE	1
*	3	5016283	WIRE ASSEMBLY, 10-20 CTC/CTP ALL	1
*	4	5016402	WIRE ASSEMBLY, 10-20 CTC ALL	1
*	5	5016435	WIRE ASSEMBLY, TBL TOP CTC/CTP ALL	1
*	6	5016436	WIRE ASSEMBLY, TBL TOP CTC/CTP ALL	1
*	7	5016520	WIRE ASSEMBLY, TABLE TOP 120V GAS	1
*	8	5016753	WIRE ASSEMBLY, TABLETOP ALL VOLTS	1
*	9	5016783	WIRE ASSEMBLY, TABLE TOP CTC	1
*	10	5016893	PANEL ASSEMBLY, ELECTRICAL CHASSIS,	1
*	11	5017978	WIRE ASSEMBLY, 120V & 208V, CTC TABLETOP	1
*	12	5017979	WIRE ASSEMBLY, 120V & 208V, CTC TABLETOP	1
	13	BA-35693	BOARD, POWER SUPPLY 10-15VDC 8A	1
	14	BA-37262	BOARD ASSEMBLY, MODULAR TERMINAL	1
	15	CN-34343	CONTACTOR, 120V, 25 AMP	2
	16	CR-35759	CONNECTOR, 2 TERMINAL	1
	17	CR-35760	CONNECTOR, 4 TERMINAL	1
	18	CR-35761	CONNECTOR, 6 TERMINAL	1
	19	CR-35762	CONNECTOR, 7 TERMINAL	1
	20	CR-35763	CONNECTOR, 8 TERMINAL	1
	21	CR-35765	TERMINAL, 3.5MM PLUGGABLE, 10	1
	22	CR-35766	TERMINAL, 3.5MM PLUGGABLE, 12	1
*	23	EV-28115	ENVELOPE, PRESS ON (NOT SHOWN)	1
	24	FU-33184	5X20MM, SLOW BLO, 2 AMP, 250V	1
	25	FU-34770	FUSE HOLDER, 3 BANK	1
	26	FU-34771	FUSE HOLDER, 2 BANK	1
	27	FU-34772	FUSE, 15 AMP	5
	28	FU-36668	5X20MM, SLOW BLO, 5AMP, 250V	1
	29	LA-38832	LABEL, FUSE WARNING	1
	30	MO-34393	CAPACITOR , MOTOR, 40 MFD, 240VAC	1
	31	MO-34394	MOTOR, CAPACITOR, 20 UF, 240VAC	1
	32	RL-33930	RELAY, 12VDC, 15A, 8 PINS	1
	33	RL-34634	UNIVERSAL MOUNTING SOCKET	1
	34	RL-37266	SPRING, HOLD DOWN,	1
	35	SC-22268	SCREW, M3x0.5X8MM PAN	2
	36	TI-35719	TIE, TWIST LOCK 0.5" STANDOFF	7
	36	TM-33675	JUMPER STRIP	3
	38	TM-34305	TERMINAL, SCREWLESS END	8
	39	TM-34306	TERMINAL, GROUND, 6mm, SPRING	2
	40	TM-34309	TERMINAL, END SECTION, SPRING	1
	41	TM-34311	TERMINAL, FUSE HOLDER, 8mm	1
	42	TM-34315	TERMINAL, END PLATE	1
	43	TM-34881	TERMINAL, 3.5MM PLUGGABLE, 4 POLE	1
	44	TM-34884	TERMINAL, 3.5MM PLUGGABLE, 6 POLE	2
	45	TM-34889	TERMINAL, 3.5MM PLUGGABLE, 8 POLE	2
	46	TM-34931	TERMINAL, 3.5MM PLUGGABLE, 7 POLE	2
	47	TM-3779	TERMINAL BLOCK	6
	48	TM-3785	TERMINALS, *CT, WALL, PART., 16MM	3
	49	TM-3788	TERMINALS, MARK, L	3
	50	TM-3790	TERMINALS, MARK, 1	1
	51	TM-3791	TERMINALS, MARK, 2	1
	52	TM-3792	TERMINALS, MARK, 3	1
	53	TM-3932	TERMINAL, GROUND	1
	54	TT-36119	THERMOSTAT, BI-METAL, 100 DEG CLOSE	1
	55	WS-22299	WASHER, M3 SPLIT LOCK	2

Note: Refer to MN-35949 Rev.2 for part numbers of wiring chassis for previous models

ELECTRICAL CHASSIS – CTC 10-20E 208-240V (5016217)



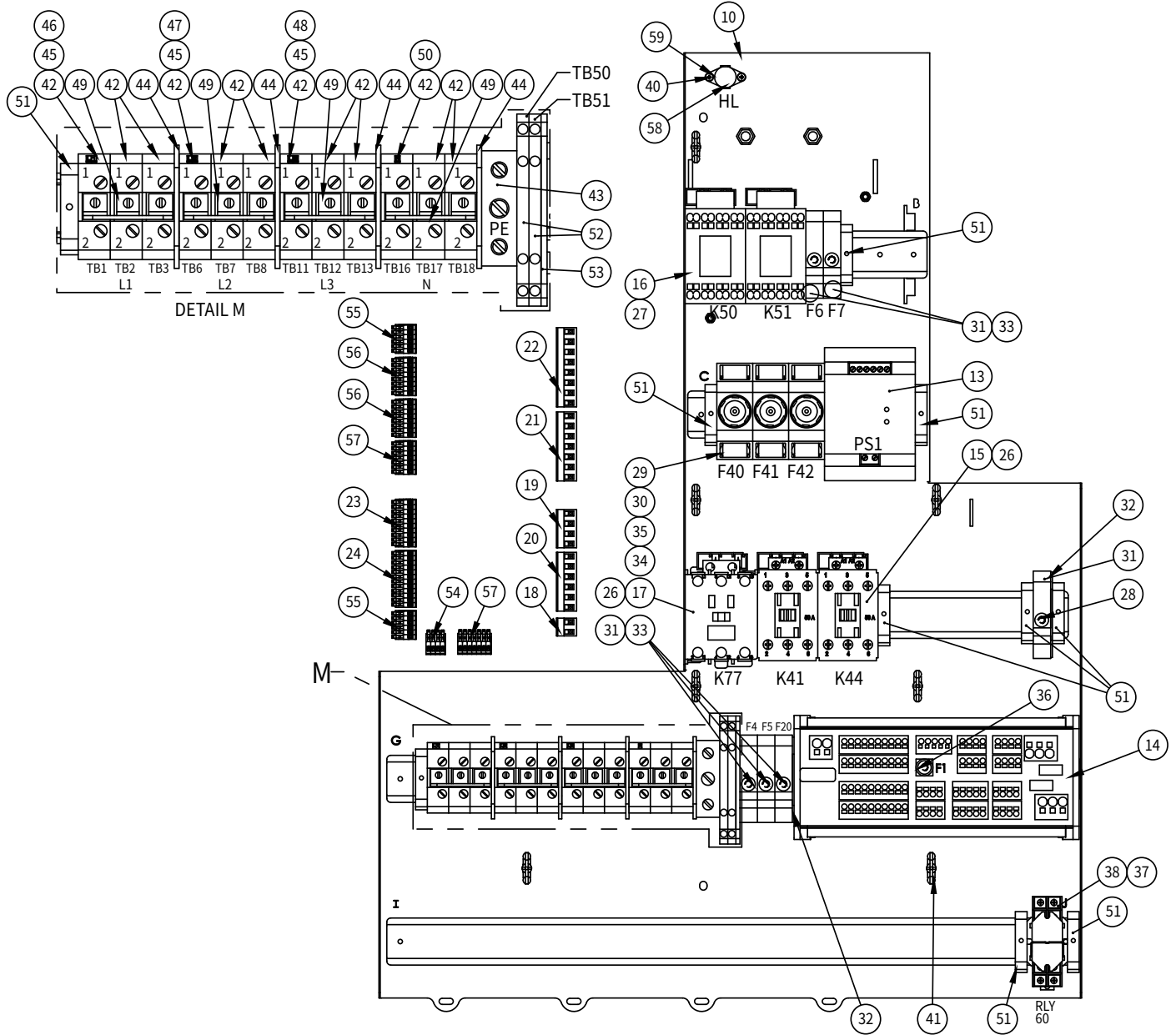
ELECTRICAL CHASSIS – CTC 10-20E 208-240V (5016217)

* = not shown

ITEM	PART NUMBER	DESCRIPTION	5016217/ QTY.	
*	1	5015352	WIRE ASSEMBLY, TBL TOP CTC 3PH	1
*	2	5016283	WIRE ASSEMBLY, 10-20 CTC/CTP ALL	1
*	3	5016389	WIRE ASSEMBLY, 10-20 208V 3PH	1
*	4	5016402	WIRE ASSEMBLY, 10-20 CTC ALL	1
*	5	5016435	WIRE ASSEMBLY, TBL TOP CTC/CTP ALL	1
*	6	5016436	WIRE ASSEMBLY, TBL TOP CTC/CTP ALL	1
*	7	5016451	WIRE ASSEMBLY, 10-20, 20-10 ALL CTC	1
*	8	5016753	WIRE ASSEMBLY, TABLETOP ALL VOLTS	1
*	9	5016783	WIRE ASSEMBLY, TABLE TOP CTC	1
	10	5016893	PANEL ASSEMBLY, ELECTRICAL CHASSIS,	1
*	11	5017978	WIRE ASSEMBLY, 120V & 208V, CTC TABLETOP	1
*	12	5017979	WIRE ASSEMBLY, 120V & 208V, CTC TABLETOP	1
	13	BA-35693	BOARD, POWER SUPPLY 10-15VDC 8A	1
	14	BA-37262	BOARD ASSEMBLY, MODULAR TERMINAL	1
	15	CN-34304	CONTACTOR, 240V, 25 AMP	2
	16	CN-3731	CONTACTOR, 50 AMP	2
	17	CR-35759	CONNECTOR, 2 TERMINAL	1
	18	CR-35760	CONNECTOR, 4 TERMINAL	1
	19	CR-35761	CONNECTOR, 6 TERMINAL	1
	20	CR-35762	CONNECTOR, 7 TERMINAL	1
	21	CR-35763	CONNECTOR, 8 TERMINAL	1
	22	CR-35765	TERMINAL, 3.5MM PLUGGABLE, 10	1
	23	CR-35766	TERMINAL, 3.5MM PLUGGABLE, 12	1
*	24	EV-28115	ENVELOPE, PRESS ON (NOT SHOWN)	1
	25	FU-33040	45A, MP, CLASS G, 480V MED. TIME-LAG	6
	26	FU-33184	5X20MM, SLOW BLO, 2 AMP, 250V	1
	27	FU-34770	FUSE HOLDER, 3 BANK	1
	28	FU-34771	FUSE HOLDER, 2 BANK	1
	29	FU-34772	FUSE, 15 AMP	5
	30	FU-35728	FUSE HOLDER, 60A 480V CLASS G	2
	31	FU-36668	5X20MM, SLOW BLO, 5AMP, 250V	1
	32	LA-38832	LABEL, FUSE WARNING	1
	33	RL-33930	RELAY, 12VDC, 15A, 8 PINS	1
	34	RL-34634	UNIVERSAL MOUNTING SOCKET	1
	35	RL-37266	SPRING, HOLD DOWN,	1
	36	SC-22268	SCREW, M3x0.5X8MM PAN	2
	37	TI-35719	TIE, TWIST LOCK 0.5" STANDOFF	7
	38	TM-33064	JUMPER BAR, 3 POLE, 33mm SQ	3
	39	TM-34305	TERMINAL, SCREWLESS END	11
	40	TM-34306	TERMINAL, GROUND, 6mm, SPRING	2
	41	TM-34309	TERMINAL, END SECTION, SPRING	1
	42	TM-34311	TERMINAL, FUSE HOLDER, 8mm	1
	43	TM-34315	TERMINAL, END PLATE	1
	44	TM-34881	TERMINAL, 3.5MM PLUGGABLE, 4 POLE	1
	45	TM-34884	TERMINAL, 3.5MM PLUGGABLE, 6 POLE	2
	46	TM-34889	TERMINAL, 3.5MM PLUGGABLE, 8 POLE	2
	47	TM-34931	TERMINAL, 3.5MM PLUGGABLE, 7 POLE	2
	48	TM-3780	TERMINALS, *CT, SER., 35MM	9
	49	TM-3782	TERMINAL, GROUND, 35mm	1
	50	TM-3786	TERMINAL, CT, 35mm WALL, PART	3
	51	TM-3788	TERMINALS, MARK, L	3
	52	TM-3790	TERMINALS, MARK, 1	1
	53	TM-3791	TERMINALS, MARK, 2	1
	54	TM-3792	TERMINALS, MARK, 3	1
	55	TT-36119	THERMOSTAT, BI-METAL, 100 DEG CLOSE	1
	56	WS-22299	WASHER, M3 SPLIT LOCK	2

Note: Refer to MN-35949 Rev.2 for part numbers of wiring chassis for previous models

ELECTRICAL CHASSIS – CTC 10-20E 380-415V (5016219)

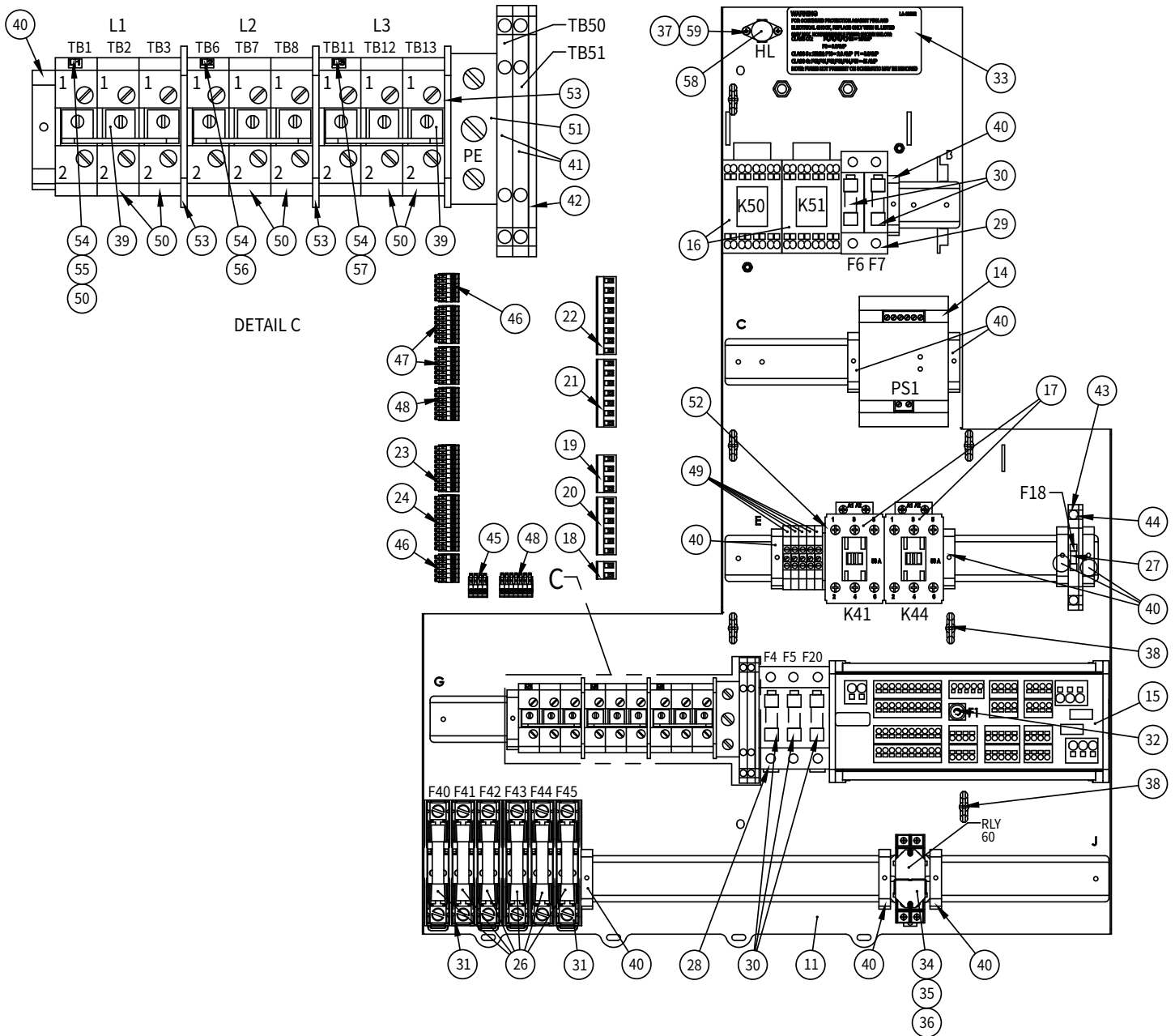


ELECTRICAL CHASSIS – CTC 10-20E 380-415V (5016219)

ITEM	PART NUMBER	DESCRIPTION	5016219/QTY.
1	5015352	WIRE ASSEMBLY, TBL TOP CTC 3PH	1
2	5016283	WIRE ASSEMBLY, 10-20 CTC/CTP ALL	1
3	5016402	WIRE ASSEMBLY, 10-20 CTC ALL	1
4	5016435	WIRE ASSEMBLY, TBL TOP CTC/CTP ALL	1
5	5016436	WIRE ASSEMBLY, TBL TOP CTC/CTP ALL	1
6	5016451	WIRE ASSEMBLY, 10-20, 20-10 ALL CTC	1
7	5016454	WIRE SET, 10-20 CTC 380V	1
8	5016753	WIRE ASSEMBLY, TABLETOP ALL VOLTS	1
9	5016783	WIRE ASSEMBLY, TABLE TOP CTC	1
10	5016893	PANEL ASSEMBLY, ELECTRICAL CHASSIS,	1
11	5017979	WIRE ASSEMBLY, 120V & 208V, CTC TABLETOP	1
12	5017986	WIRE ASSEMBLY, 380V, CTC TABLETOP	1
13	BA-35693	BOARD, POWER SUPPLY 10-15VDC 8A	1
14	BA-37262	BOARD ASSEMBLY, MODULAR TERMINAL	1
15	CN-3731	CONTACTOR, 50 AMP	2
16	CN-34304	CONTACTOR, 240V, 25 AMP	2
17	CN-36605	CONTACTOR, 3POLE, WITH AC COIL	1
18	CR-35759	CONNECTOR, 2 TERMINAL	1
19	CR-35760	CONNECTOR, 4 TERMINAL	1
20	CR-35761	CONNECTOR, 6 TERMINAL	1
21	CR-35762	CONNECTOR, 7 TERMINAL	1
22	CR-35763	CONNECTOR, 8 TERMINAL	1
23	CR-35765	TERMINAL, 3.5MM PLUGGABLE, 10	1
24	CR-35766	TERMINAL, 3.5MM PLUGGABLE, 12	1
25	EV-28115	ENVELOPE, PRESS ON (NOT SHOWN)	1
26	FI-33990	EMI FILTER	3
27	FI-34492	FILTER, FOR SPRING CLAMP	2
28	FU-33184	5X20MM, SLOW BLO, 2 AMP, 250V	1
29	FU-33444	FUSE, DO2 NEOZED BASE & COVER	3
30	FU-33445	FUSE, DO2 NEOZED SCREW CAP	3
31	FU-33451	FUSE, TERMINAL, 6.3AMP	6
32	FU-34749	FUSE, HOLDER COVER	2
33	FU-34921	FUSE, 15 AMP, 250V, 5mm X 20mm	5
34	FU-35497	FUSE, DO2 NEOZED GAUGE RING 50A	3
35	FU-35850	FUSE, DO2 NEOZED 50A, WHITE	3
36	FU-36668	5X20MM, SLOW BLO, 5AMP, 250V	1
37	RL-33930	RELAY, 12VDC, 15A, 8 PINS	1
38	RL-34634	UNIVERSAL MOUNTING SOCKET	1
39	RL-37266	SPRING, HOLD DOWN,	1
40	SC-22268	SCREW, M3x0.5X8MM PAN	2
41	TI-35719	TIE, TWIST LOCK 0.5" STANDOFF	7
42	TM-3780	TERMINALS, *CT, SER., 35MM	12
43	TM-3782	TERMINAL, GROUND, 35mm	1
44	TM-3786	TERMINAL, CT, 35mm WALL, PART	4
45	TM-3788	TERMINALS, MARK, L	3
46	TM-3790	TERMINALS, MARK, 1	1
47	TM-3791	TERMINALS, MARK, 2	1
48	TM-3792	TERMINALS, MARK, 3	1
49	TM-33064	JUMPER BAR, 3 POLE, 33mm SQ	4
50	TM-33479	TERMINALS, MARK, N	1
51	TM-34305	TERMINAL, SCREWLESS END	9
52	TM-34306	TERMINAL, GROUND, 6mm, SPRING	2
53	TM-34309	TERMINAL, END SECTION, SPRING	1
54	TM-34881	TERMINAL, 3.5MM PLUGGABLE, 4 POLE	1
55	TM-34884	TERMINAL, 3.5MM PLUGGABLE, 6 POLE	2
56	TM-34889	TERMINAL, 3.5MM PLUGGABLE, 8 POLE	2
57	TM-34931	TERMINAL, 3.5MM PLUGGABLE, 7 POLE	2
58	TT-36119	THERMOSTAT, BI-METAL, 100 DEG CLOSE	1
59	WS-22299	WASHER, M3 SPLIT LOCK	2

Note: Refer to MN-35949 Rev.2 for part numbers of wiring chassis for previous models

ELECTRICAL CHASSIS – CTC 10-20E 440-480V (5016221)



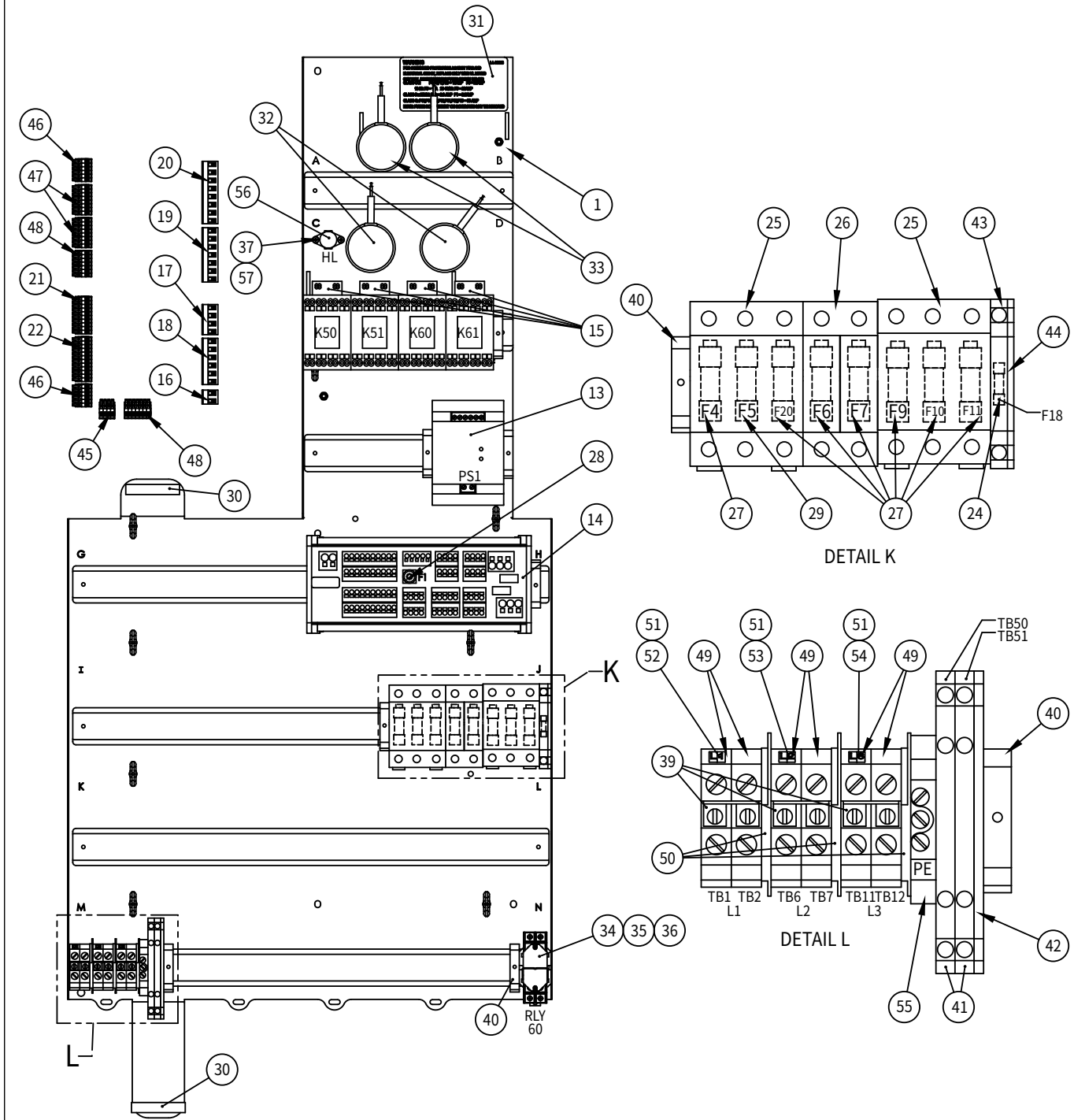
ELECTRICAL CHASSIS – CTC 10-20E 440-480V (5016221)

* = not shown

ITEM	PART NUMBER	DESCRIPTION	5016221 /QTY.	
*	1	5015352	WIRE ASSEMBLY, TBL TOP CTC 3PH	1
*	2	5015358	WIRE ASSEMBLY, 440V POWER CVRSN	1
*	3	5016283	WIRE ASSEMBLY, 10-20 CTC/CTP ALL	1
*	4	5016402	WIRE ASSEMBLY, 10-20 CTC ALL	1
*	5	5016435	WIRE ASSEMBLY, TBL TOP CTC/CTP ALL	1
*	6	5016436	WIRE ASSEMBLY, TBL TOP CTC/CTP ALL	1
*	7	5016437	WIRE ASSEMBLY, 10-20 CTC 440V 3 PH	1
*	8	5016451	WIRE ASSEMBLY, 10-20, 20-10 ALL CTC	1
*	9	5016753	WIRE ASSEMBLY, TABLETOP ALL VOLTS	1
*	10	5016783	WIRE ASSEMBLY, TABLE TOP CTC	1
*	11	5016893	PANEL ASSEMBLY, ELECTRICAL CHASSIS,	1
	12	5017978	WIRE ASSEMBLY, 120V & 208V, CTC TABLETOP	1
	13	5017979	WIRE ASSEMBLY, 120V & 208V, CTC TABLETOP	1
	14	BA-35693	BOARD, POWER SUPPLY 10-15VDC 8A	1
	15	BA-37262	BOARD ASSEMBLY, MODULAR TERMINAL	1
	16	CN-34304	CONTACTOR, 240V, 25 AMP	2
	17	CN-3731	CONTACTOR, 50 AMP	2
	18	CR-35759	CONNECTOR, 2 TERMINAL	1
	19	CR-35760	CONNECTOR, 4 TERMINAL	1
	20	CR-35761	CONNECTOR, 6 TERMINAL	1
	21	CR-35762	CONNECTOR, 7 TERMINAL	1
	22	CR-35763	CONNECTOR, 8 TERMINAL	1
	23	CR-35765	TERMINAL, 3.5MM PLUGGABLE, 10	1
	24	CR-35766	TERMINAL, 3.5MM PLUGGABLE, 12	1
*	25	EV-28115	ENVELOPE, PRESS ON (NOT SHOWN)	1
	26	FU-33040	45A, MP, CLASS G, 480V MED. TIME-LAG	6
	27	FU-33184	5X20MM, SLOW BLO, 2 AMP, 250V	1
	28	FU-34770	FUSE HOLDER, 3 BANK	1
	29	FU-34771	FUSE HOLDER, 2 BANK	1
	30	FU-34772	FUSE, 15 AMP	5
	31	FU-35728	FUSE HOLDER, 60A 480V CLASS G	2
	32	FU-36668	5X20MM, SLOW BLO, 5AMP, 250V	1
	33	LA-38832	LABEL, FUSE WARNING	1
	34	RL-33930	RELAY, 12VDC, 15A, 8 PINS	1
	35	RL-34634	UNIVERSAL MOUNTING SOCKET	1
	36	RL-37266	SPRING, HOLD DOWN,	1
	37	SC-22268	SCREW, M3x0.5X8MM PAN	2
	38	TI-35719	TIE, TWIST LOCK 0.5" STANDOFF	7
	39	TM-33064	JUMPER BAR, 3 POLE, 33mm SQ	3
	40	TM-34305	TERMINAL, SCREWLESS END	11
	41	TM-34306	TERMINAL, GROUND, 6mm, SPRING	2
	42	TM-34309	TERMINAL, END SECTION, SPRING	1
	43	TM-34311	TERMINAL, FUSE HOLDER, 8mm	1
	44	TM-34315	TERMINAL, END PLATE	1
	45	TM-34881	TERMINAL, 3.5MM PLUGGABLE, 4 POLE	1
	46	TM-34884	TERMINAL, 3.5MM PLUGGABLE, 6 POLE	2
	47	TM-34889	TERMINAL, 3.5MM PLUGGABLE, 8 POLE	2
	48	TM-34931	TERMINAL, 3.5MM PLUGGABLE, 7 POLE	2
	49	TM-3778	TERMINALS, *CT, SERIES, 4MM	5
	50	TM-3780	TERMINALS, *CT, SER., 35MM	9
	51	TM-3782	TERMINAL, GROUND, 35mm	1
	52	TM-3783	TERMINAL, WALL, 4MM	1
	53	TM-3786	TERMINAL, CT, 35mm WALL, PART	3
	54	TM-3788	TERMINALS, MARK, L	3
	55	TM-3790	TERMINALS, MARK, 1	1
	56	TM-3791	TERMINALS, MARK, 2	1
	57	TM-3792	TERMINALS, MARK, 3	1
	58	TT-36119	THERMOSTAT, BI-METAL, 100 DEG CLOSE	1
	59	WS-22299	WASHER, M3 SPLIT LOCK	2

Note: Refer to MN-35949 Rev.2 for part numbers of wiring chassis for previous models

ELECTRICAL CHASSIS – CTC 20-10G/20-20G 120V (5016196)



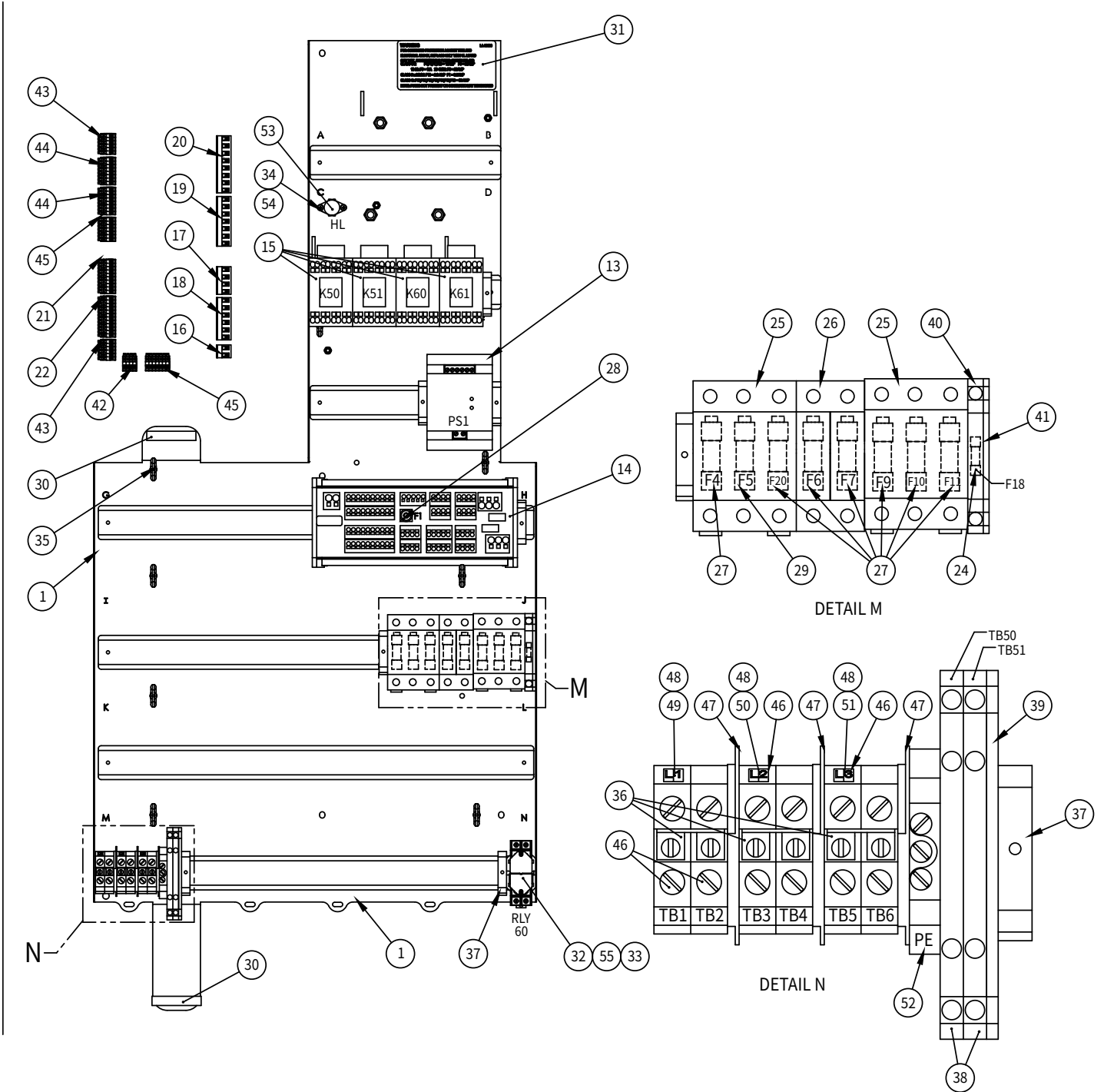
ELECTRICAL CHASSIS – CTC 20-10G/20-20G 120V (5016196)

* = not shown

ITEM	PART NUMBER	DESCRIPTION	5016196/QTY.
1	5015271	PANEL ASSEMBLY, ELECTRICAL CHASSIS	1
*	5015356	WIRE ASSEMBLY, 20-20 120-208V-380V	1
*	5016284	WIRE ASSEMBLY, 20-10, 20-20 CTC/CTP	1
*	5016401	WIRE ASSEMBLY 20-10, 20-10 GAS	1
*	5016403	WIRE ASSEMBLY 20-10, 20-10 CTC	1
*	5016408	WIRE ASSEMBLY, 20-10, 20-20 CTC/CTP	1
*	5016409	WIRE ASSEMBLY 20-10, 20-20 CTC/CTP	1
*	5016519	WIRE ASSEMBLY, 120V GAS CLASSIC	1
*	5016753	WIRE ASSEMBLY, TABLETOP ALL VOLTS	1
*	5016784	WIRE ASSEMBLY, 20-10/20-20 CTC	1
*	5017983	WIRE ASSEMBLY, 20-10/20-20, 120V & 208V	1
*	5017984	WIRE ASSEMBLY, 20-10/20-20, 120V & 208V	1
	BA-35693	BOARD, POWER SUPPLY 10-15VDC 8A	1
	BA-37262	BOARD ASSEMBLY, MODULAR TERMINAL	1
	CN-34343	CONTACTOR, 120V, 25 AMP	4
	CR-35759	CONNECTOR, 2 TERMINAL	1
	CR-35760	CONNECTOR, 4 TERMINAL	1
	CR-35761	CONNECTOR, 6 TERMINAL	1
	CR-35762	CONNECTOR, 7 TERMINAL	1
	CR-35763	CONNECTOR, 8 TERMINAL	1
	CR-35765	TERMINAL, 3.5MM PLUGGABLE, 10	1
	CR-35766	TERMINAL, 3.5MM PLUGGABLE, 12	1
*	EV-28115	ENVELOPE, PRESS ON (NOT SHOWN)	1
	FU-33184	5X20MM, SLOW BLO, 2 AMP, 250V	1
	FU-34770	FUSE HOLDER, 3 BANK	2
	FU-34771	FUSE HOLDER, 2 BANK	1
	FU-34772	FUSE, 15 AMP	7
	FU-36668	5X20MM, SLOW BLO, 5AMP, 250V	1
	FU-38210	FUSE, CCMR, 20A, 600V, DUAL ELEM.	1
	GS-23622	GASKET, FOAM 2" LENGTH	2
	LA-38833	LABEL, FUSE WARNING	1
	MO-34393	CAPACITOR , MOTOR, 40 MFD, 240VAC	2
	MO-34394	MOTOR, CAPACITOR, 20 UF, 240VAC	2
	RL-33930	RELAY, 12VDC, 15A, 8 PINS	1
	RL-34634	UNIVERSAL MOUNTING SOCKET	1
	RL-37266	SPRING, HOLD DOWN,	1
	SC-22268	SCREW, M3x0.5X8MM PAN	2
	TI-35719	TIE, TWIST LOCK 0.5" STANDOFF	9
	TM-33675	JUMPER STRIP	3
	TM-34305	TERMINAL, SCREWLESS END	7
	TM-34306	TERMINAL, GROUND, 6mm, SPRING	2
	TM-34309	TERMINAL, END SECTION, SPRING	1
	TM-34311	TERMINAL, FUSE HOLDER, 8mm	1
	TM-34315	TERMINAL, END PLATE	1
	TM-34881	TERMINAL, 3.5MM PLUGGABLE, 4 POLE	1
	TM-34884	TERMINAL, 3.5MM PLUGGABLE, 6 POLE	2
	TM-34889	TERMINAL, 3.5MM PLUGGABLE, 8 POLE	2
	TM-34931	TERMINAL, 3.5MM PLUGGABLE, 7 POLE	2
	TM-3779	TERMINAL BLOCK	6
	TM-3785	TERMINALS, *CT, WALL, PART., 16MM	3
	TM-3788	TERMINALS, MARK, L	3
	TM-3790	TERMINALS, MARK, 1	1
	TM-3791	TERMINALS, MARK, 2	1
	TM-3792	TERMINALS, MARK, 3	1
	TM-3932	TERMINAL, GROUND	1
	TT-36119	THERMOSTAT, BI-METAL, 100 DEG CLOSE	1
	WS-22299	WASHER, M3 SPLIT LOCK	2

Note: Refer to MN-35949 Rev.2 for part numbers of wiring chassis for previous models

ELECTRICAL CHASSIS – CTC 20-10G/20-20G 208-240V 1/3PH (5016197)



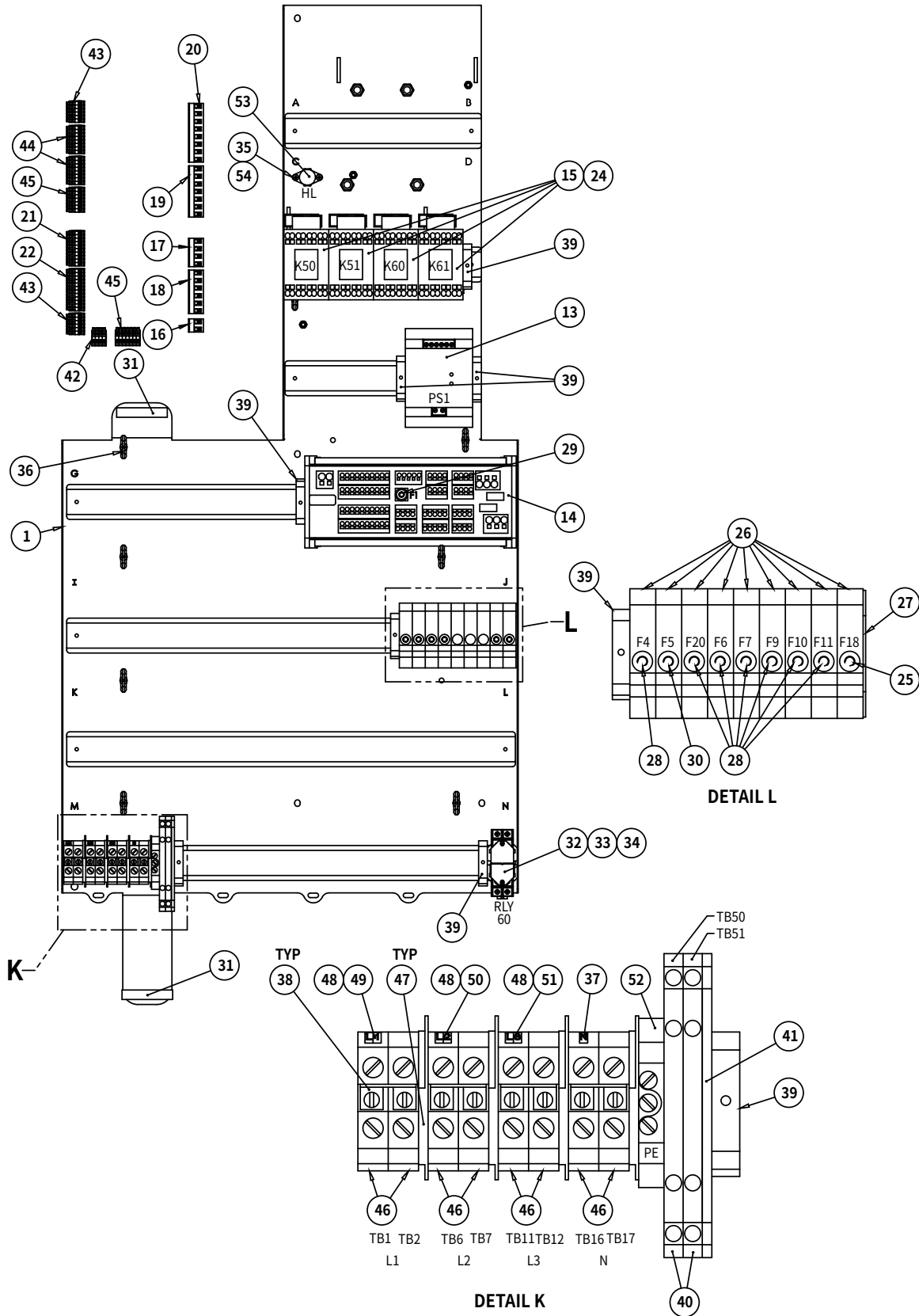
ELECTRICAL CHASSIS – CTC 20-10G/20-20G 208-240V 1/3PH (5016197)

* = not shown

ITEM	PART NUMBER	DESCRIPTION	5016197 /QTY.
1	5015271	PANEL ASSEMBLY, ELECTRICAL CHASSIS	1
2	5015349	WIRE ASSEMBLY, 20-20, 20-20 CTC	1
* 3	5015356	WIRE ASSEMBLY, 20-20 120-208V-380V	1
* 4	5016284	WIRE ASSEMBLY, 20-10, 20-20 CTC/CTP	1
* 5	5016401	WIRE ASSEMBLY 20-10, 20-10 GAS	1
* 6	5016403	WIRE ASSEMBLY 20-10, 20-10 CTC	1
* 7	5016408	WIRE ASSEMBLY, 20-10, 20-20 CTC/CTP	1
* 8	5016409	WIRE ASSEMBLY 20-10, 20-20 CTC/CTP	1
* 9	5016753	WIRE ASSEMBLY, TABLETOP ALL VOLTS	1
* 10	5016784	WIRE ASSEMBLY, 20-10/20-20 CTC	1
* 11	5017983	WIRE ASSEMBLY, 20-10/20-20, 120V & 208V	1
* 12	5017984	WIRE ASSEMBLY, 20-10/20-20, 120V & 208V	1
* 13	BA-35693	BOARD, POWER SUPPLY 10-15VDC 8A	1
14	BA-37262	BOARD ASSEMBLY, MODULAR TERMINAL	1
15	CN-34304	CONTACTOR, 240V, 25 AMP	4
16	CR-35759	CONNECTOR, 2 TERMINAL	1
17	CR-35760	CONNECTOR, 4 TERMINAL	1
18	CR-35761	CONNECTOR, 6 TERMINAL	1
19	CR-35762	CONNECTOR, 7 TERMINAL	1
20	CR-35763	CONNECTOR, 8 TERMINAL	1
21	CR-35765	TERMINAL, 3.5MM PLUGGABLE, 10	1
22	CR-35766	TERMINAL, 3.5MM PLUGGABLE, 12	1
23	EV-28115	ENVELOPE, PRESS ON (NOT SHOWN)	1
* 24	FU-33184	5X20MM, SLOW BLO, 2 AMP, 250V	1
25	FU-34770	FUSE HOLDER, 3 BANK	2
26	FU-34771	FUSE HOLDER, 2 BANK	1
27	FU-34772	FUSE, 15 AMP	7
28	FU-36668	5X20MM, SLOW BLO, 5AMP, 250V	1
29	FU-38210	FUSE, CCMR, 20A, 600V, DUAL ELEM.	1
30	GS-23622	GASKET, FOAM 2" LENGTH	2
31	LA-38833	LABEL, FUSE WARNING	1
32	RL-33930	RELAY, 12VDC, 15A, 8 PINS	1
33	RL-37266	SPRING, HOLD DOWN,	1
34	SC-22268	SCREW, M3x0.5X8MM PAN	2
35	TI-35719	TIE, TWIST LOCK 0.5" STANDOFF	9
36	TM-33675	JUMPER STRIP	3
37	TM-34305	TERMINAL, SCREWLESS END	7
38	TM-34306	TERMINAL, GROUND, 6mm, SPRING	2
39	TM-34309	TERMINAL, END SECTION, SPRING	1
40	TM-34311	TERMINAL, FUSE HOLDER, 8mm	1
41	TM-34315	TERMINAL, END PLATE	1
42	TM-34881	TERMINAL, 3.5MM PLUGGABLE, 4 POLE	1
43	TM-34884	TERMINAL, 3.5MM PLUGGABLE, 6 POLE	2
44	TM-34889	TERMINAL, 3.5MM PLUGGABLE, 8 POLE	2
45	TM-34931	TERMINAL, 3.5MM PLUGGABLE, 7 POLE	2
46	TM-3779	TERMINAL BLOCK	6
47	TM-3785	TERMINALS, *CT, WALL, PART., 16MM	3
48	TM-3788	TERMINALS, MARK, L	3
49	TM-3790	TERMINALS, MARK, 1	1
50	TM-3791	TERMINALS, MARK, 2	1
51	TM-3792	TERMINALS, MARK, 3	1
52	TM-3932	TERMINAL, GROUND	1
53	TT-36119	THERMOSTAT, BI-METAL, 100 DEG CLOSE	1
54	WS-22299	WASHER, M3 SPLIT LOCK	2
55	RL-34634	UNIVERSAL MOUNTING SOCKET	1

Note: Refer to MN-35949 Rev.2 for part numbers of wiring chassis for previous models

ELECTRICAL CHASSIS – CTC 20-10G/20-20G 380-415V (5016198)

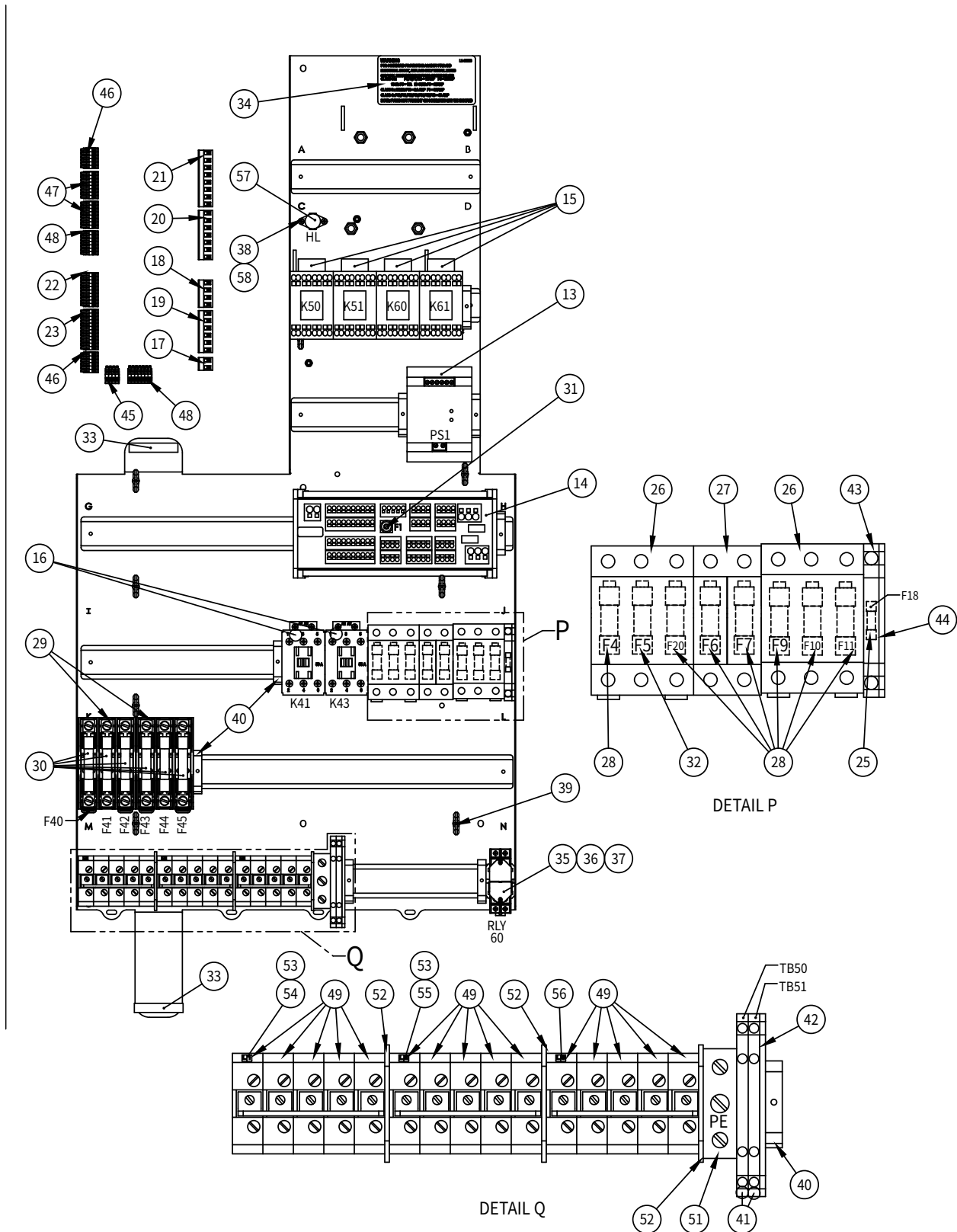


ELECTRICAL CHASSIS – CTC 20-10G/20-20G 380-415V (5016198)

ITEM	PART NUMBER	DESCRIPTION	5016198 /QTY.
1	5015271	PANEL ASSEMBLY, ELECTRICAL CHASSIS	1
2	5015349	WIRE ASSEMBLY, 20-20, 20-20 CTC	1
3	5015356	WIRE ASSEMBLY, 20-20 120-208V-380V	1
4	5016284	WIRE ASSEMBLY, 20-10, 20-20 CTC/CTP	1
5	5016401	WIRE ASSEMBLY 20-10, 20-10 GAS	1
6	5016403	WIRE ASSEMBLY 20-10, 20-10 CTC	1
7	5016408	WIRE ASSEMBLY, 20-10, 20-20 CTC/CTP	1
8	5016409	WIRE ASSEMBLY 20-10, 20-20 CTC/CTP	1
9	5016753	WIRE ASSEMBLY, TABLETOP ALL VOLTS	1
10	5016784	WIRE ASSEMBLY, 20-10/20-20 CTC	1
11	5017984	WIRE ASSEMBLY, 20-10/20-20, 120V & 208V	1
12	5017987	WIRE ASSEMBLY, 20-10/20-20, 380V	1
13	BA-35693	BOARD, POWER SUPPLY 10-15VDC 8A	1
14	BA-37262	BOARD ASSEMBLY, MODULAR TERMINAL	1
15	CN-34304	CONTACTOR, 240V, 25 AMP	4
16	CR-35759	CONNECTOR, 2 TERMINAL	1
17	CR-35760	CONNECTOR, 4 TERMINAL	1
18	CR-35761	CONNECTOR, 6 TERMINAL	1
19	CR-35762	CONNECTOR, 7 TERMINAL	1
20	CR-35763	CONNECTOR, 8 TERMINAL	1
21	CR-35765	TERMINAL, 3.5MM PLUGGABLE, 10	1
22	CR-35766	TERMINAL, 3.5MM PLUGGABLE, 12	1
23	EV-28115	ENVELOPE, PRESS ON (NOT SHOWN)	1
24	FI-34492	FILTER, FOR SPRING CLAMP	4
25	FU-33184	5X20MM, SLOW BLO, 2 AMP, 250V	1
26	FU-33451	FUSE, TERMINAL, 6.3AMP	9
27	FU-34749	FUSE, HOLDER COVER	1
28	FU-34921	FUSE, 15 AMP, 250V, 5mm X 20mm	7
29	FU-36668	5X20MM, SLOW BLO, 5AMP, 250V	1
30	FU-38406	FUSE, 20 AMP, 250V, 5mm X 20mm	1
31	GS-23622	GASKET, FOAM 2" LENGTH	2
32	RL-33930	RELAY, 12VDC, 15A, 8 PINS	1
33	RL-34634	UNIVERSAL MOUNTING SOCKET	1
34	RL-37266	SPRING, HOLD DOWN,	1
35	SC-22268	SCREW, M3x0.5X8MM PAN	2
36	TI-35719	TIE, TWIST LOCK 0.5" STANDOFF	9
37	TM-33479	TERMINALS, MARK, N	1
38	TM-33675	JUMPER STRIP	4
39	TM-34305	TERMINAL, SCREWLESS END	7
40	TM-34306	TERMINAL, GROUND, 6mm, SPRING	2
41	TM-34309	TERMINAL, END SECTION, SPRING	1
42	TM-34881	TERMINAL, 3.5MM PLUGGABLE, 4 POLE	1
43	TM-34884	TERMINAL, 3.5MM PLUGGABLE, 6 POLE	2
44	TM-34889	TERMINAL, 3.5MM PLUGGABLE, 8 POLE	2
45	TM-34931	TERMINAL, 3.5MM PLUGGABLE, 7 POLE	2
46	TM-3779	TERMINAL BLOCK	8
47	TM-3785	TERMINALS, *CT, WALL, PART., 16MM	4
48	TM-3788	TERMINALS, MARK, L	3
49	TM-3790	TERMINALS, MARK, 1	1
50	TM-3791	TERMINALS, MARK, 2	1
51	TM-3792	TERMINALS, MARK, 3	1
52	TM-3932	TERMINAL, GROUND	1
53	TT-36119	THERMOSTAT, BI-METAL, 100 DEG CLOSE	1
54	WS-22299	WASHER, M3 SPLIT LOCK	2

Note: Refer to MN-35949 Rev.2 for part numbers of wiring chassis for previous models

ELECTRICAL CHASSIS – CTC 20-10E 208-240V 3PH (5016494)



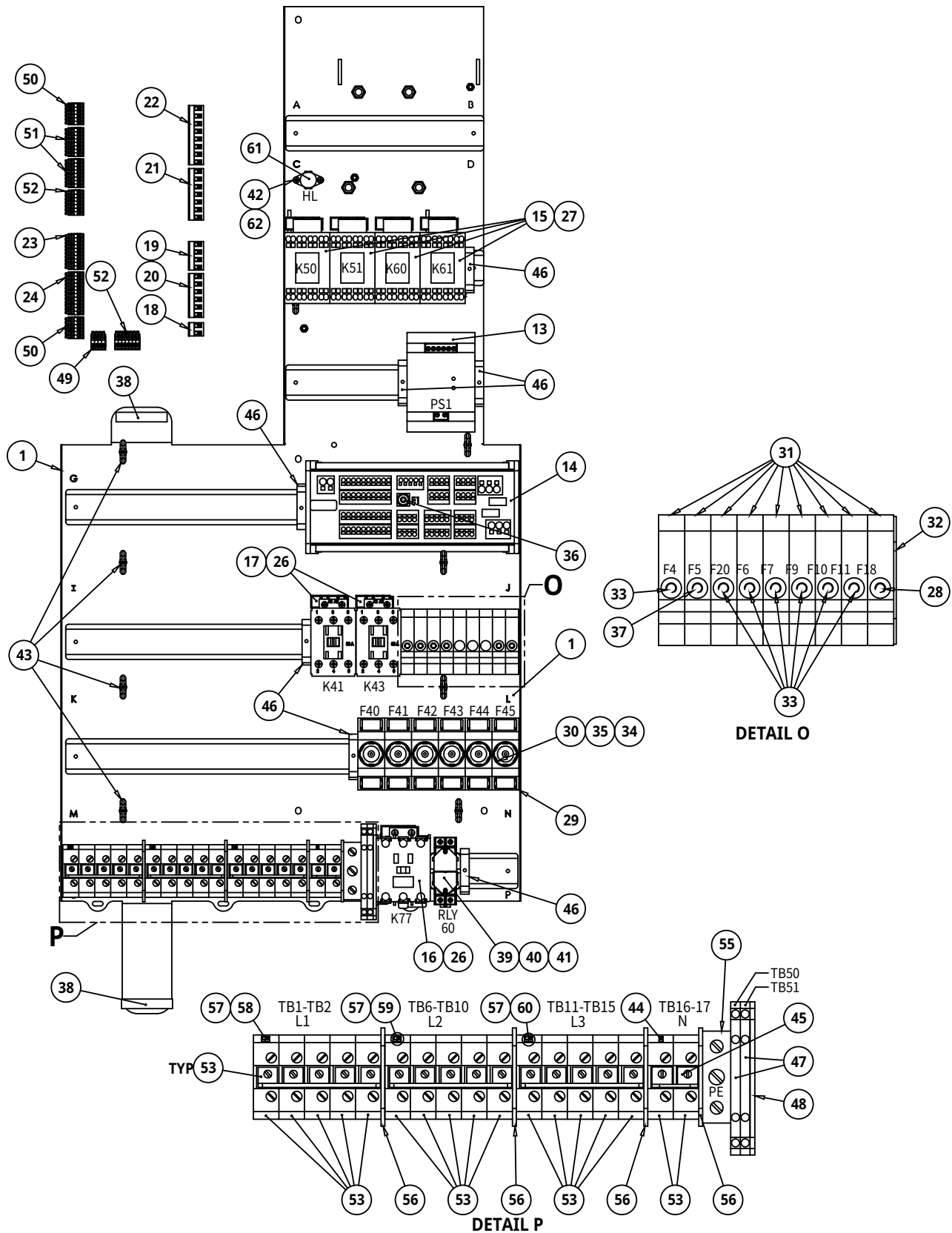
ELECTRICAL CHASSIS – CTC 20-10E 208-240V 3PH (5016494)

* = not shown

ITEM	PART NUMBER	DESCRIPTION	5016494 /QTY.
1	5015271	PANEL ASSEMBLY, ELECTRICAL CHASSIS	1
* 2	5015349	WIRE ASSEMBLY, 20-20, 20-20 CTC	1
* 3	5016284	WIRE ASSEMBLY, 20-10, 20-20 CTC/CTP	1
* 4	5016390	WIRE ASSEMBLY, 20-10 CTC 208V	1
* 5	5016403	WIRE ASSEMBLY 20-10, 20-10 CTC	1
* 6	5016408	WIRE ASSEMBLY, 20-10, 20-20 CTC/CTP	1
* 7	5016409	WIRE ASSEMBLY 20-10, 20-20 CTC/CTP	1
* 8	5016451	WIRE ASSEMBLY, 10-20, 20-10 ALL CTC	1
* 9	5016753	WIRE ASSEMBLY, TABLETOP ALL VOLTS	1
* 10	5016784	WIRE ASSEMBLY, 20-10/20-20 CTC	1
* 11	5017983	WIRE ASSEMBLY, 20-10/20-20, 120V & 208V	1
* 12	5017984	WIRE ASSEMBLY, 20-10/20-20, 120V & 208V	1
13	BA-35693	BOARD, POWER SUPPLY 10-15VDC 8A	1
14	BA-37262	BOARD ASSEMBLY, MODULAR TERMINAL	1
15	CN-34304	CONTACTOR, 240V, 25 AMP	4
16	CN-3731	CONTACTOR, 50 AMP	2
17	CR-35759	CONNECTOR, 2 TERMINAL	1
18	CR-35760	CONNECTOR, 4 TERMINAL	1
* 19	CR-35761	CONNECTOR, 6 TERMINAL	1
20	CR-35762	CONNECTOR, 7 TERMINAL	1
21	CR-35763	CONNECTOR, 8 TERMINAL	1
22	CR-35765	TERMINAL, 3.5MM PLUGGABLE, 10	1
23	CR-35766	TERMINAL, 3.5MM PLUGGABLE, 12	1
24	EV-28115	ENVELOPE, PRESS ON (NOT SHOWN)	1
25	FU-33184	5X20MM, SLOW BLO, 2 AMP, 250V	1
26	FU-34770	FUSE HOLDER, 3 BANK	2
27	FU-34771	FUSE HOLDER, 2 BANK	1
28	FU-34772	FUSE, 15 AMP	7
29	FU-35728	FUSE HOLDER, 60A 480V CLASS G	2
30	FU-35734	FUSE, 60A, SLC CLASS G	6
31	FU-36668	5X20MM, SLOW BLO, 5AMP, 250V	1
32	FU-38210	FUSE, CCMR, 20A, 600V, DUAL ELEM.	1
33	GS-23622	GASKET, FOAM 2" LENGTH	2
34	LA-38833	LABEL, FUSE WARNING	1
35	RL-33930	RELAY, 12VDC, 15A, 8 PINS	1
36	RL-34634	UNIVERSAL MOUNTING SOCKET	1
37	RL-37266	SPRING, HOLD DOWN,	1
38	SC-22268	SCREW, M3x0.5X8MM PAN	2
39	TI-35719	TIE, TWIST LOCK 0.5" STANDOFF	9
40	TM-34305	TERMINAL, SCREWLESS END	8
41	TM-34306	TERMINAL, GROUND, 6mm, SPRING	2
42	TM-34309	TERMINAL, END SECTION, SPRING	1
43	TM-34311	TERMINAL, FUSE HOLDER, 8mm	1
44	TM-34315	TERMINAL, END PLATE	1
45	TM-34881	TERMINAL, 3.5MM PLUGGABLE, 4 POLE	1
46	TM-34884	TERMINAL, 3.5MM PLUGGABLE, 6 POLE	2
47	TM-34889	TERMINAL, 3.5MM PLUGGABLE, 8 POLE	2
48	TM-34931	TERMINAL, 3.5MM PLUGGABLE, 7 POLE	2
49	TM-35982	TERMINAL, JUMPER BAR 5 POLE	3
49	TM-3780	TERMINALS, *CT, SER., 35MM	15
51	TM-3782	TERMINAL, GROUND, 35mm	1
52	TM-3786	TERMINAL, CT, 35mm WALL, PART	3
53	TM-3788	TERMINALS, MARK, L	3
54	TM-3790	TERMINALS, MARK, 1	1
55	TM-3791	TERMINALS, MARK, 2	1
56	TM-3792	TERMINALS, MARK, 3	1
57	TT-36119	THERMOSTAT, BI-METAL, 100 DEG CLOSE	1
58	WS-22299	WASHER, M3 SPLIT LOCK	2

Note: Refer to MN-35949 Rev.2 for part numbers of wiring chassis for previous models

ELECTRICAL CHASSIS – CTC 20-10E 380-415V (5016496)



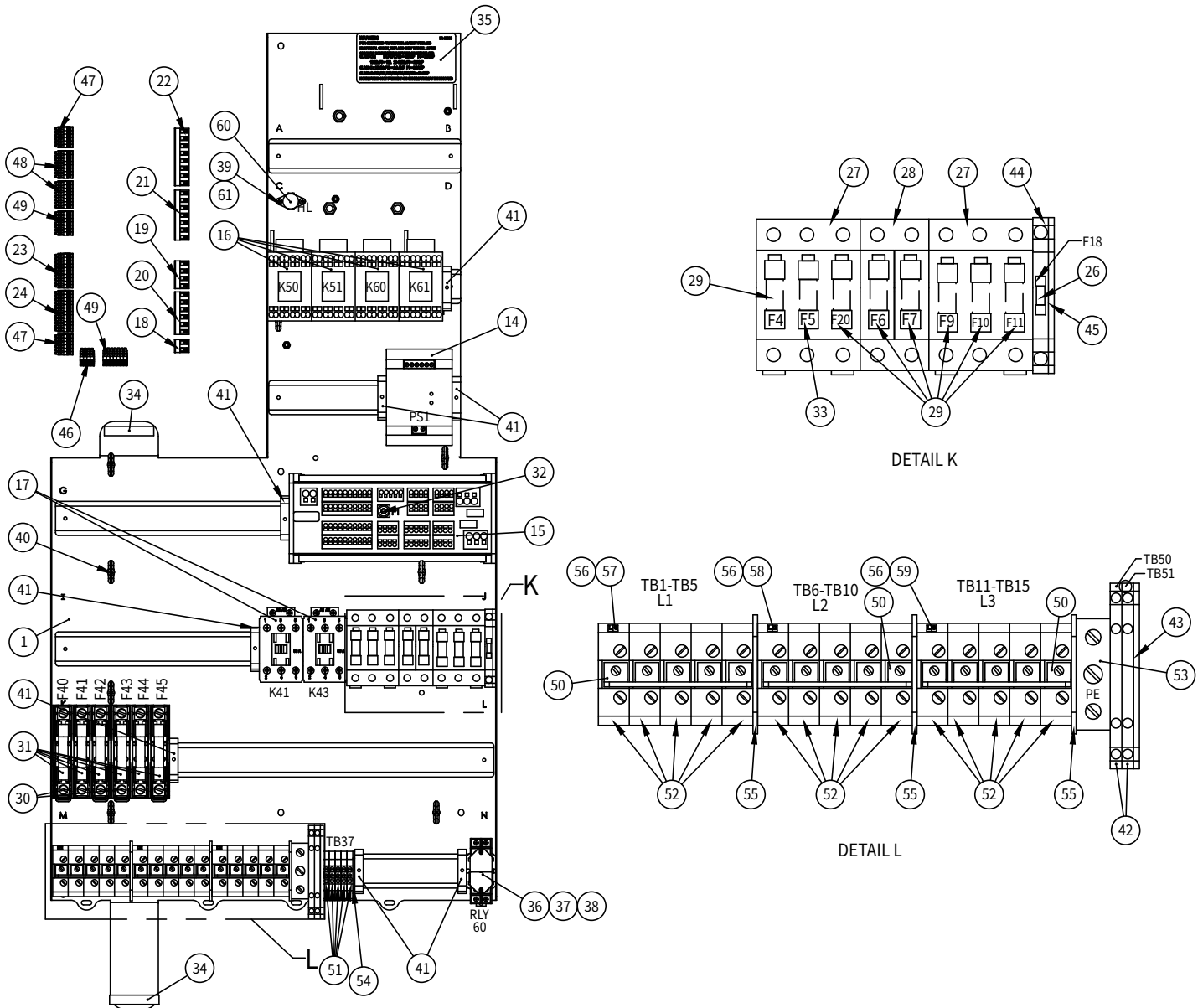
ELECTRICAL CHASSIS – CTC 20-10E 380-415V (5016496)

* = not shown

ITEM	PART NUMBER	DESCRIPTION	5016496 /QTY.	
1	5015271	PANEL ASSEMBLY, ELECTRICAL CHASSIS	1	
*	2	5015349	WIRE ASSEMBLY, 20-20, 20-20 CTC	1
*	3	5016284	WIRE ASSEMBLY, 20-10, 20-20 CTC/CTP	1
*	4	5016393	WIRE ASSEMBLY, 20-10 CTC 380V	1
*	5	5016403	WIRE ASSEMBLY 20-10, 20-10 CTC	1
*	6	5016408	WIRE ASSEMBLY, 20-10, 20-20 CTC/CTP	1
*	7	5016409	WIRE ASSEMBLY 20-10, 20-20 CTC/CTP	1
*	8	5016451	WIRE ASSEMBLY, 10-20, 20-10 ALL CTC	1
*	9	5016753	WIRE ASSEMBLY, TABLETOP ALL VOLTS	1
*	10	5016784	WIRE ASSEMBLY, 20-10/20-20 CTC	1
*	11	5017984	WIRE ASSEMBLY, 20-10/20-20, 120V & 208V	1
*	12	5017987	WIRE ASSEMBLY, 20-10/20-20, 380V	1
	13	BA-35693	BOARD, POWER SUPPLY 10-15VDC 8A	1
	14	BA-37262	BOARD ASSEMBLY, MODULAR TERMINAL	1
	15	CN-34304	CONTACTOR, 240V, 25 AMP	4
	16	CN-36605	CONTACTOR, 3POLE, WITH AC COIL	1
	17	CN-3731	CONTACTOR, 50 AMP	2
	18	CR-35759	CONNECTOR, 2 TERMINAL	1
	19	CR-35760	CONNECTOR, 4 TERMINAL	1
	20	CR-35761	CONNECTOR, 6 TERMINAL	1
	21	CR-35762	CONNECTOR, 7 TERMINAL	1
	22	CR-35763	CONNECTOR, 8 TERMINAL	1
	23	CR-35765	TERMINAL, 3.5MM PLUGGABLE, 10	1
	24	CR-35766	TERMINAL, 3.5MM PLUGGABLE, 12	1
*	25	EV-28115	ENVELOPE, PRESS ON (NOT SHOWN)	1
	26	FI-33990	EMI FILTER	3
	27	FI-34492	FILTER, FOR SPRING CLAMP	4
	28	FU-33184	5X20MM, SLOW BLO, 2 AMP, 250V	1
	29	FU-33444	FUSE, DO2 NEOZED BASE & COVER	6
	30	FU-33445	FUSE, DO2 NEOZED SCREW CAP	6
	31	FU-33451	FUSE, TERMINAL, 6.3AMP	9
	32	FU-34749	FUSE, HOLDER COVER	1
	33	FU-34921	FUSE, 15 AMP, 250V, 5mm X 20mm	7
	34	FU-35497	FUSE, DO2 NEOZED GAUGE RING 50A	6
	35	FU-35850	FUSE, DO2 NEOZED 50A, WHITE	6
	36	FU-36668	5X20MM, SLOW BLO, 5AMP, 250V	1
	37	FU-38406	FUSE, 20 AMP, 250V, 5mm X 20mm	1
	38	GS-23622	GASKET, FOAM 2" LENGTH	2
	39	RL-33930	RELAY, 12VDC, 15A, 8 PINS	1
	40	RL-34634	UNIVERSAL MOUNTING SOCKET	1
	41	RL-37266	SPRING, HOLD DOWN,	1
	42	SC-22268	SCREW, M3x0.5X8MM PAN	2
	43	TI-35719	TIE, TWIST LOCK 0.5" STANDOFF	9
	44	TM-33479	TERMINALS, MARK, N	1
	45	TM-33837	JUMPER STRIP	1
	46	TM-34305	TERMINAL, SCREWLESS END	7
	47	TM-34306	TERMINAL, GROUND, 6mm, SPRING	2
	48	TM-34309	TERMINAL, END SECTION, SPRING	1
	49	TM-34881	TERMINAL, 3.5MM PLUGGABLE, 4 POLE	1
	50	TM-34884	TERMINAL, 3.5MM PLUGGABLE, 6 POLE	2
	51	TM-34889	TERMINAL, 3.5MM PLUGGABLE, 8 POLE	2
	52	TM-34931	TERMINAL, 3.5MM PLUGGABLE, 7 POLE	2
	53	TM-35982	TERMINAL, JUMPER BAR 5 POLE	3
	53	TM-3780	TERMINALS, *CT, SER., 35MM	17
	55	TM-3782	TERMINAL, GROUND, 35mm	1
	56	TM-3786	TERMINAL, CT, 35mm WALL, PART	4
	57	TM-3788	TERMINALS, MARK, L	3
	58	TM-3790	TERMINALS, MARK, 1	1
	59	TM-3791	TERMINALS, MARK, 2	1
	60	TM-3792	TERMINALS, MARK, 3	1
	61	TT-36119	THERMOSTAT, BI-METAL, 100 DEG CLOSE	1
	62	WS-22299	WASHER, M3 SPLIT LOCK	2

Note: Refer to MN-35949 Rev.2 for part numbers of wiring chassis for previous models

ELECTRICAL CHASSIS – CTC 20-10E 440-480V (5016498)

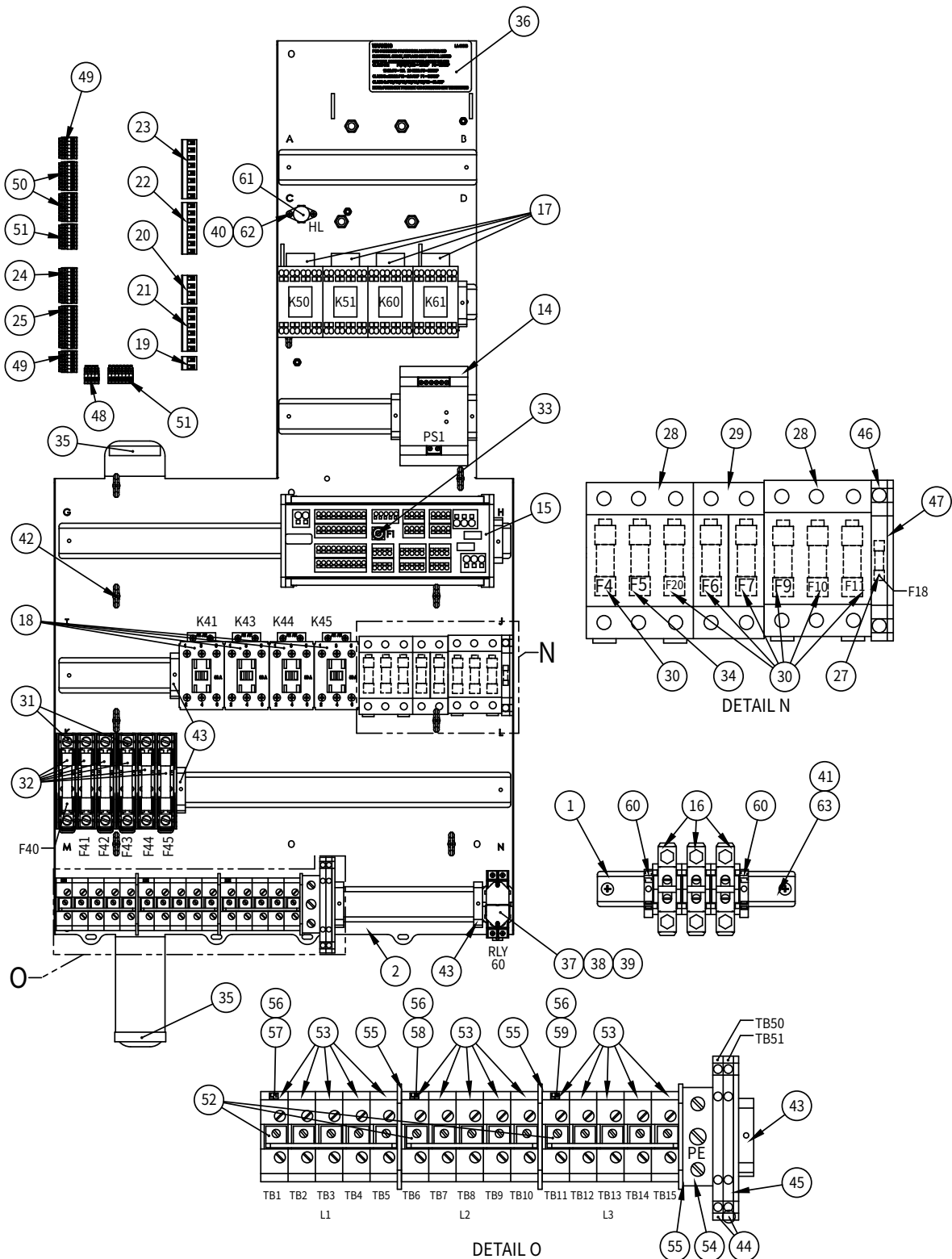


ELECTRICAL CHASSIS – CTC 20-10E 440-480V (5016498)

ITEM	PART NUMBER	DESCRIPTION	5016498 /QTY.
1	5015271	PANEL ASSEMBLY, ELECTRICAL CHASSIS	1
2	5015349	WIRE ASSEMBLY, 20-20, 20-20 CTC	1
3	5016284	WIRE ASSEMBLY, 20-10, 20-20 CTC/CTP	1
4	5016396	WIRE ASSEMBLY, 20-10 CTC 440V	1
5	5016403	WIRE ASSEMBLY 20-10, 20-10 CTC	1
6	5016406	WIRE ASSEMBLY 20-10, 20-20 CTP	1
7	5016408	WIRE ASSEMBLY, 20-10, 20-20 CTC/CTP	1
8	5016409	WIRE ASSEMBLY 20-10, 20-20 CTC/CTP	1
9	5016451	WIRE ASSEMBLY, 10-20, 20-10 ALL CTC	1
10	5016753	WIRE ASSEMBLY, TABLETOP ALL VOLTS	1
11	5016784	WIRE ASSEMBLY, 20-10/20-20 CTC	1
12	5017983	WIRE ASSEMBLY, 20-10/20-20, 120V & 208V	1
13	5017984	WIRE ASSEMBLY, 20-10/20-20, 120V & 208V	1
14	BA-35693	BOARD, POWER SUPPLY 10-15VDC 8A	1
15	BA-37262	BOARD ASSEMBLY, MODULAR TERMINAL	1
16	CN-34304	CONTACTOR, 240V, 25 AMP	4
17	CN-3731	CONTACTOR, 50 AMP	2
18	CR-35759	CONNECTOR, 2 TERMINAL	1
19	CR-35760	CONNECTOR, 4 TERMINAL	1
20	CR-35761	CONNECTOR, 6 TERMINAL	1
21	CR-35762	CONNECTOR, 7 TERMINAL	1
22	CR-35763	CONNECTOR, 8 TERMINAL	1
23	CR-35765	TERMINAL, 3.5MM PLUGGABLE, 10	1
24	CR-35766	TERMINAL, 3.5MM PLUGGABLE, 12	1
25	EV-28115	ENVELOPE, PRESS ON (NOT SHOWN)	1
26	FU-33184	5X20MM, SLOW BLO, 2 AMP, 250V	1
27	FU-34770	FUSE HOLDER, 3 BANK	2
28	FU-34771	FUSE HOLDER, 2 BANK	1
29	FU-34772	FUSE, 15 AMP	7
30	FU-35728	FUSE HOLDER, 60A 480V CLASS G	2
31	FU-35734	FUSE, 60A, SLC CLASS G	6
32	FU-36668	5X20MM, SLOW BLO, 5AMP, 250V	1
33	FU-38210	FUSE, CCMR, 20A, 600V, DUAL ELEM.	1
34	GS-23622	GASKET, FOAM 2" LENGTH	2
35	LA-38833	LABEL, FUSE WARNING	1
36	RL-33930	RELAY, 12VDC, 15A, 8 PINS	1
37	RL-34634	UNIVERSAL MOUNTING SOCKET	1
38	RL-37266	SPRING, HOLD DOWN,	1
39	SC-22268	SCREW, M3x0.5X8MM PAN	2
40	TI-35719	TIE, TWIST LOCK 0.5" STANDOFF	9
41	TM-34305	TERMINAL, SCREWLESS END	8
42	TM-34306	TERMINAL, GROUND, 6mm, SPRING	2
43	TM-34309	TERMINAL, END SECTION, SPRING	1
44	TM-34311	TERMINAL, FUSE HOLDER, 8mm	1
45	TM-34315	TERMINAL, END PLATE	1
46	TM-34881	TERMINAL, 3.5MM PLUGGABLE, 4 POLE	1
47	TM-34884	TERMINAL, 3.5MM PLUGGABLE, 6 POLE	2
48	TM-34889	TERMINAL, 3.5MM PLUGGABLE, 8 POLE	2
49	TM-34931	TERMINAL, 3.5MM PLUGGABLE, 7 POLE	2
50	TM-35982	TERMINAL, JUMPER BAR 5 POLE	3
51	TM-3778	TERMINALS, *CT, SERIES, 4MM	5
52	TM-3780	TERMINALS, *CT, SER., 35MM	15
53	TM-3782	TERMINAL, GROUND, 35mm	1
54	TM-3783	TERMINAL, WALL, 4MM	1
55	TM-3786	TERMINAL, CT, 35mm WALL, PART	3
56	TM-3788	TERMINALS, MARK, L	3
57	TM-3790	TERMINALS, MARK, 1	1
58	TM-3791	TERMINALS, MARK, 2	1
59	TM-3792	TERMINALS, MARK, 3	1
60	TT-36119	THERMOSTAT, BI-METAL, 100 DEG CLOSE	1
61	WS-22299	WASHER, M3 SPLIT LOCK	2

Note: Refer to MN-35949 Rev.2 for part numbers of wiring chassis for previous models

ELECTRICAL CHASSIS – CTC 20-20E 208-240V (5016199)



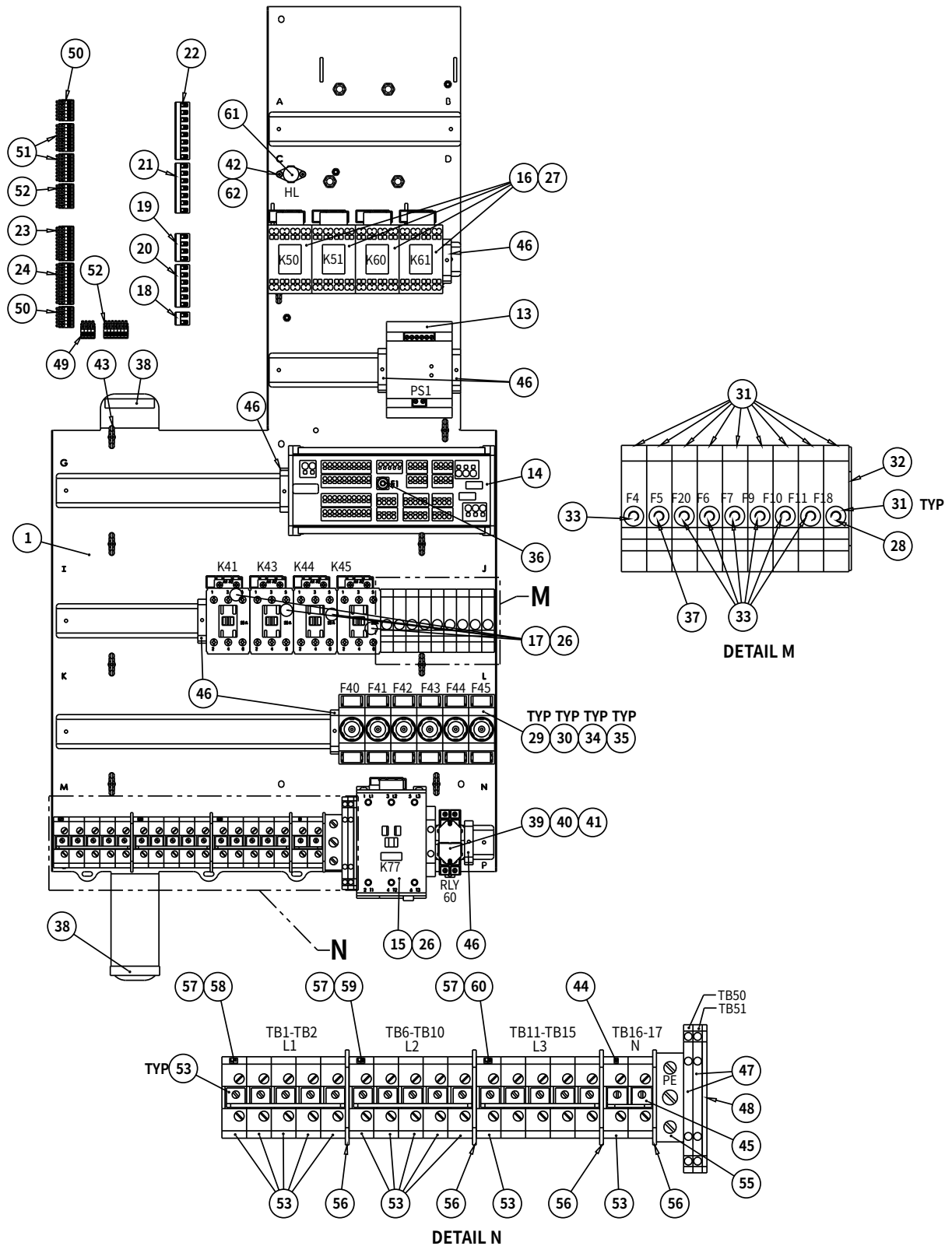
ELECTRICAL CHASSIS – CTC 20-20E 208-240V (5016199)

* = not shown

ITEM	PART NUMBER	DESCRIPTION	5016199 /QTY.	
1	1016880	RAIL, DIN, 197mm LG, 7mm HOLES	1	
2	5015271	PANEL ASSEMBLY, ELECTRICAL CHASSIS	1	
*	3	5015349	WIRE ASSEMBLY, 20-20, 20-20 CTC	1
*	4	5016284	WIRE ASSEMBLY, 20-10, 20-20 CTC/CTP	1
*	5	5016391	WIRE ASSEMBLY, 20-20 CTC 208V 3PH	1
*	6	5016403	WIRE ASSEMBLY 20-10, 20-10 CTC	1
*	7	5016408	WIRE ASSEMBLY, 20-10, 20-20 CTC/CTP	1
*	8	5016409	WIRE ASSEMBLY 20-10, 20-20 CTC/CTP	1
*	9	5016452	WIRE ASSEMBLY, 20-20 CTC	1
*	10	5016753	WIRE ASSEMBLY, TABLETOP ALL VOLTS	1
*	11	5016784	WIRE ASSEMBLY, 20-10/20-20 CTC	1
*	12	5017983	WIRE ASSEMBLY, 20-10/20-20, 120V & 208V	1
*	13	5017984	WIRE ASSEMBLY, 20-10/20-20, 120V & 208V	1
	14	BA-35693	BOARD, POWER SUPPLY 10-15VDC 8A	1
	15	BA-37262	BOARD ASSEMBLY, MODULAR TERMINAL	1
	16	BK-33996	TERMINAL BLOCK, 95MM	3
	17	CN-34304	CONTACTOR, 240V, 25 AMP	4
	18	CN-3731	CONTACTOR, 50 AMP	4
	19	CR-35759	CONNECTOR, 2 TERMINAL	1
	20	CR-35760	CONNECTOR, 4 TERMINAL	1
	21	CR-35761	CONNECTOR, 6 TERMINAL	1
	22	CR-35762	CONNECTOR, 7 TERMINAL	1
	23	CR-35763	CONNECTOR, 8 TERMINAL	1
	24	CR-35765	TERMINAL, 3.5MM PLUGGABLE, 10	1
	25	CR-35766	TERMINAL, 3.5MM PLUGGABLE, 12	1
	26	EV-28115	ENVELOPE, PRESS ON (NOT SHOWN)	1
*	27	FU-33184	5X20MM, SLOW BLO, 2 AMP, 250V	1
	28	FU-34770	FUSE HOLDER, 3 BANK	2
	29	FU-34771	FUSE HOLDER, 2 BANK	1
	30	FU-34772	FUSE, 15 AMP	7
	31	FU-35728	FUSE HOLDER, 60A 480V CLASS G	2
	32	FU-35734	FUSE, 60A, SLC CLASS G	6
	33	FU-36668	5X20MM, SLOW BLO, 5AMP, 250V	1
	34	FU-38210	FUSE, CCMR, 20A, 600V, DUAL ELEM.	1
	35	GS-23622	GASKET, FOAM 2" LENGTH	2
	36	LA-38833	LABEL, FUSE WARNING	1
	37	RL-33930	RELAY, 12VDC, 15A, 8 PINS	1
	38	RL-34634	UNIVERSAL MOUNTING SOCKET	1
	39	RL-37266	SPRING, HOLD DOWN,	1
	40	SC-22268	SCREW, M3x0.5X8MM PAN	2
	41	SC-27325	SCREW, M6x1.0X12MM PAN	2
	42	TI-35719	TIE, TWIST LOCK 0.5" STANDOFF	9
	43	TM-34305	TERMINAL, SCREWLESS END	8
	44	TM-34306	TERMINAL, GROUND, 6mm, SPRING	2
	45	TM-34309	TERMINAL, END SECTION, SPRING	1
	46	TM-34311	TERMINAL, FUSE HOLDER, 8mm	1
	47	TM-34315	TERMINAL, END PLATE	1
	48	TM-34881	TERMINAL, 3.5MM PLUGGABLE, 4 POLE	1
	49	TM-34884	TERMINAL, 3.5MM PLUGGABLE, 6 POLE	2
	50	TM-34889	TERMINAL, 3.5MM PLUGGABLE, 8 POLE	2
	51	TM-34931	TERMINAL, 3.5MM PLUGGABLE, 7 POLE	2
	52	TM-35982	TERMINAL, JUMPER BAR 5 POLE	3
	53	TM-3780	TERMINALS, *CT, SER., 35MM	15
	54	TM-3782	TERMINAL, GROUND, 35mm	1
	55	TM-3786	TERMINAL, CT, 35mm WALL, PART	3
	56	TM-3788	TERMINALS, MARK, L	3
	57	TM-3790	TERMINALS, MARK, 1	1
	58	TM-3791	TERMINALS, MARK, 2	1
	59	TM-3792	TERMINALS, MARK, 3	1
	60	TM-3926	TERMINALS, *CT, PLUG, 6.10	2
	61	TT-36119	THERMOSTAT, BI-METAL, 100 DEG CLOSE	1
	62	WS-22299	WASHER, M3 SPLIT LOCK	2
	63	WS-22302	WASHER, M6 SPLIT LOCK	2

Note: Refer to MN-35949 Rev.2 for part numbers of wiring chassis for previous models

ELECTRICAL CHASSIS – CTC 20-20E 380-415V (5016201)



ELECTRICAL CHASSIS – CTC 20-20E 380-415V (5016201)

ITEM	PART NUMBER	DESCRIPTION	5016201 /QTY.
1	5015271	PANEL ASSEMBLY, ELECTRICAL CHASSIS	1
2	5015349	WIRE ASSEMBLY, 20-20, 20-20 CTC	1
3	5016284	WIRE ASSEMBLY, 20-10, 20-20 CTC/CTP	1
4	5016394	WIRE ASSEMBLY, 20-20 CTC 380V 3PH	1
5	5016403	WIRE ASSEMBLY 20-10, 20-10 CTC	1
6	5016408	WIRE ASSEMBLY, 20-10, 20-20 CTC/CTP	1
7	5016409	WIRE ASSEMBLY 20-10, 20-20 CTC/CTP	1
8	5016452	WIRE ASSEMBLY, 20-20 CTC	1
9	5016753	WIRE ASSEMBLY, TABLETOP ALL VOLTS	1
10	5016784	WIRE ASSEMBLY, 20-10/20-20 CTC	1
11	5017984	WIRE ASSEMBLY, 20-10/20-20, 120V & 208V	1
12	5017987	WIRE ASSEMBLY, 20-10/20-20, 380V	1
13	BA-35693	BOARD, POWER SUPPLY 10-15VDC 8A	1
14	BA-37262	BOARD ASSEMBLY, MODULAR TERMINAL	1
15	CN-34026	CONTACTOR, 3POLE, 100AMP, 240VAC	1
16	CN-34304	CONTACTOR, 240V, 25 AMP	4
17	CN-3731	CONTACTOR, 50 AMP	4
18	CR-35759	CONNECTOR, 2 TERMINAL	1
19	CR-35760	CONNECTOR, 4 TERMINAL	1
20	CR-35761	CONNECTOR, 6 TERMINAL	1
21	CR-35762	CONNECTOR, 7 TERMINAL	1
22	CR-35763	CONNECTOR, 8 TERMINAL	1
23	CR-35765	TERMINAL, 3.5MM PLUGGABLE, 10	1
24	CR-35766	TERMINAL, 3.5MM PLUGGABLE, 12	1
25	EV-28115	ENVELOPE, PRESS ON (NOT SHOWN)	1
26	FI-33990	EMI FILTER	5
27	FI-34492	FILTER, FOR SPRING CLAMP	4
28	FU-33184	5X20MM, SLOW BLO, 2 AMP, 250V	1
29	FU-33444	FUSE, DO2 NEOZED BASE & COVER	6
30	FU-33445	FUSE, DO2 NEOZED SCREW CAP	6
31	FU-33451	FUSE, TERMINAL, 6.3AMP	9
32	FU-34749	FUSE, HOLDER COVER	1
33	FU-34921	FUSE, 15 AMP, 250V, 5mm X 20mm	7
34	FU-35497	FUSE, DO2 NEOZED GAUGE RING 50A	6
35	FU-35850	FUSE, DO2 NEOZED 50A, WHITE	6
36	FU-36668	5X20MM, SLOW BLO, 5AMP, 250V	1
37	FU-38406	FUSE, 20 AMP, 250V, 5mm X 20mm	1
38	GS-23622	GASKET, FOAM 2" LENGTH	2
39	RL-33930	RELAY, 12VDC, 15A, 8 PINS	1
40	RL-34634	UNIVERSAL MOUNTING SOCKET	1
41	RL-37266	SPRING, HOLD DOWN,	1
42	SC-22268	SCREW, M3x0.5X8MM PAN	2
43	TI-35719	TIE, TWIST LOCK 0.5" STANDOFF	9
44	TM-33479	TERMINALS, MARK, N	1
45	TM-33837	JUMPER STRIP	1
46	TM-34305	TERMINAL, SCREWLESS END	7
47	TM-34306	TERMINAL, GROUND, 6mm, SPRING	2
48	TM-34309	TERMINAL, END SECTION, SPRING	1
49	TM-34881	TERMINAL, 3.5MM PLUGGABLE, 4 POLE	1
50	TM-34884	TERMINAL, 3.5MM PLUGGABLE, 6 POLE	2
51	TM-34889	TERMINAL, 3.5MM PLUGGABLE, 8 POLE	2
52	TM-34931	TERMINAL, 3.5MM PLUGGABLE, 7 POLE	2
53	TM-35982	TERMINAL, JUMPER BAR 5 POLE	3
53	TM-3780	TERMINALS, *CT, SER., 35MM	17
55	TM-3782	TERMINAL, GROUND, 35mm	1
56	TM-3786	TERMINAL, CT, 35mm WALL, PART	4
57	TM-3788	TERMINALS, MARK, L	3
58	TM-3790	TERMINALS, MARK, 1	1
59	TM-3791	TERMINALS, MARK, 2	1
60	TM-3792	TERMINALS, MARK, 3	1
61	TT-36119	THERMOSTAT, BI-METAL, 100 DEG CLOSE	1
62	WS-22299	WASHER, M3 SPLIT LOCK	2

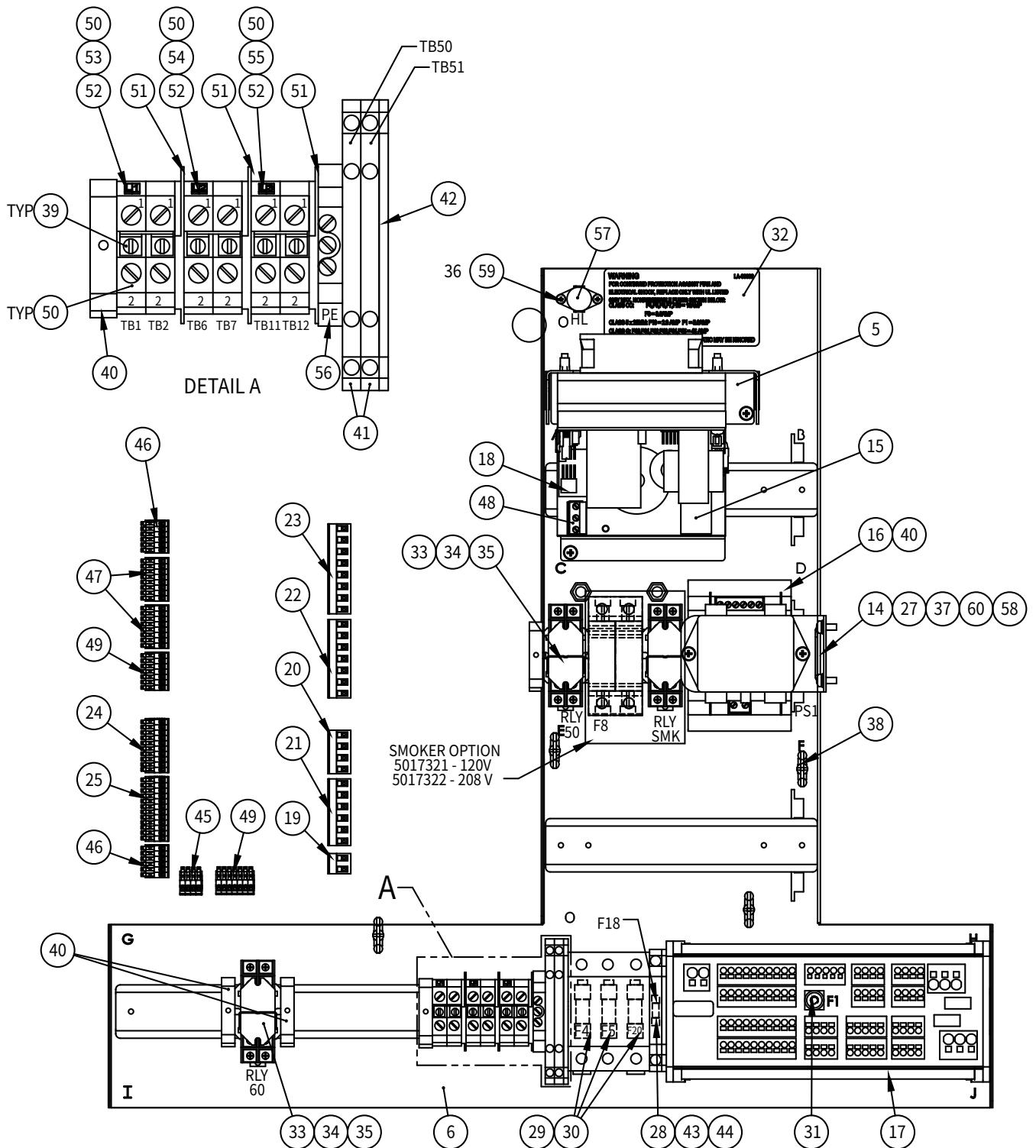
Note: Refer to MN-35949 Rev.2 for part numbers of wiring chassis for previous models

ELECTRICAL CHASSIS – CTC 20-20E 440-480V (5016203)

ITEM	PART NUMBER	DESCRIPTION	5016203 /QTY.
1	5015271	PANEL ASSEMBLY, ELECTRICAL CHASSIS	1
2	5015349	WIRE ASSEMBLY, 20-20, 20-20 CTC	1
3	5016284	WIRE ASSEMBLY, 20-10, 20-20 CTC/CTP	1
4	5016397	WIRE ASSEMBLY 20-20 CTC 440-480V	1
5	5016403	WIRE ASSEMBLY 20-10, 20-10 CTC	1
6	5016406	WIRE ASSEMBLY 20-10, 20-20 CTP	1
7	5016408	WIRE ASSEMBLY, 20-10, 20-20 CTC/CTP	1
8	5016409	WIRE ASSEMBLY 20-10, 20-20 CTC/CTP	1
9	5016452	WIRE ASSEMBLY, 20-20 CTC	1
10	5016753	WIRE ASSEMBLY, TABLETOP ALL VOLTS	1
11	5016784	WIRE ASSEMBLY, 20-10/20-20 CTC	1
12	5017983	WIRE ASSEMBLY, 20-10/20-20, 120V & 208V	1
13	5017984	WIRE ASSEMBLY, 20-10/20-20, 120V & 208V	1
14	BA-35693	BOARD, POWER SUPPLY 10-15VDC 8A	1
15	BA-37262	BOARD ASSEMBLY, MODULAR TERMINAL	1
16	CN-34304	CONTACTOR, 240V, 25 AMP	4
17	CN-3731	CONTACTOR, 50 AMP	4
18	CR-35759	CONNECTOR, 2 TERMINAL	1
19	CR-35760	CONNECTOR, 4 TERMINAL	1
20	CR-35761	CONNECTOR, 6 TERMINAL	1
21	CR-35762	CONNECTOR, 7 TERMINAL	1
22	CR-35763	CONNECTOR, 8 TERMINAL	1
23	CR-35765	TERMINAL, 3.5MM PLUGGABLE, 10	1
24	CR-35766	TERMINAL, 3.5MM PLUGGABLE, 12	1
25	EV-28115	ENVELOPE, PRESS ON (NOT SHOWN)	1
26	FU-33184	5X20MM, SLOW BLO, 2 AMP, 250V	1
27	FU-34770	FUSE HOLDER, 3 BANK	2
28	FU-34771	FUSE HOLDER, 2 BANK	1
29	FU-34772	FUSE, 15 AMP	7
30	FU-35728	FUSE HOLDER, 60A 480V CLASS G	2
31	FU-35734	FUSE, 60A, SLC CLASS G	6
32	FU-36668	5X20MM, SLOW BLO, 5AMP, 250V	1
33	FU-38210	FUSE, CCMR, 20A, 600V, DUAL ELEM.	1
34	GS-23622	GASKET, FOAM 2" LENGTH	2
35	LA-38833	LABEL, FUSE WARNING	1
36	RL-33930	RELAY, 12VDC, 15A, 8 PINS	1
37	RL-34634	UNIVERSAL MOUNTING SOCKET	1
38	RL-37266	SPRING, HOLD DOWN,	1
39	SC-22268	SCREW, M3x0.5X8MM PAN	2
40	TI-35719	TIE, TWIST LOCK 0.5" STANDOFF	9
41	TM-34305	TERMINAL, SCREWLESS END	8
42	TM-34306	TERMINAL, GROUND, 6mm, SPRING	2
43	TM-34309	TERMINAL, END SECTION, SPRING	1
44	TM-34311	TERMINAL, FUSE HOLDER, 8mm	1
45	TM-34315	TERMINAL, END PLATE	1
46	TM-34881	TERMINAL, 3.5MM PLUGGABLE, 4 POLE	1
47	TM-34884	TERMINAL, 3.5MM PLUGGABLE, 6 POLE	2
48	TM-34889	TERMINAL, 3.5MM PLUGGABLE, 8 POLE	2
48	TM-34931	TERMINAL, 3.5MM PLUGGABLE, 7 POLE	2
50	TM-35982	TERMINAL, JUMPER BAR 5 POLE	3
51	TM-3778	TERMINALS, *CT, SERIES, 4MM	5
52	TM-3780	TERMINALS, *CT, SER., 35MM	15
53	TM-3782	TERMINAL, GROUND, 35mm	1
54	TM-3783	TERMINAL, WALL, 4MM	1
55	TM-3786	TERMINAL, CT, 35mm WALL, PART	3
56	TM-3788	TERMINALS, MARK, L	3
57	TM-3790	TERMINALS, MARK, 1	1
58	TM-3791	TERMINALS, MARK, 2	1
59	TM-3792	TERMINALS, MARK, 3	1
60	TT-36119	THERMOSTAT, BI-METAL, 100 DEG CLOSE	1
61	WS-22299	WASHER, M3 SPLIT LOCK	2

Note: Refer to MN-35949 Rev.2 for part numbers of wiring chassis for previous models

ELECTRICAL CHASSIS – CTP 6-10G 120-208V (5015971)



ELECTRICAL CHASSIS – CTP 6-10G 120-208V (5015971)

REMAINING PARTS TO BUILD CHASSIS 5015971

* = not shown
** = non-parametric BOM quantity

ITEM	PART NUMBER	DESCRIPTION	5015971/QTY.	
*	2	5015355	WIRE ASSEMBLY, 7-20, 10-20 CTP	1
*	3	5015380	WIRE ASSEMBLY, ALL ESG, ALL VOLTAGE	1
	5	5015481	BRACKET ASSEMBLY, MOTOR DRIVE MOUNT	1
	14	5017026	BRACKET, FILTER LINE, ASSEMBLY	1
	15	BA-34676	BOARD, VF MOTOR DRIVE	1
	18	CB-35777	CABLE, CAN-FAN, 4 POLE	1
	22	CR-35762	CONNECTOR, 7 TERMINAL	1
	25	CR-35766	TERMINAL, 3.5MM PLUGGABLE, 12	1
*	26	EV-28115	ENVELOPE, PRESS ON (NOT SHOWN)	1
	27	FI-33225	FILTER LINE 115/250V 50/60HZ	1
	34	RL-34634	UNIVERSAL MOUNTING SOCKET	2
	37	SC-22273	SCREW, M4x0.7X10MM PAN	4
	39	TM-33675	JUMPER STRIP	3
	46	TM-34884	TERMINAL, 3.5MM PLUGGABLE, 6 POLE	1**
	47	TM-34889	TERMINAL, 3.5MM PLUGGABLE, 8 POLE	1**
	50	TM-3779	TERMINAL BLOCK	6
	51	TM-3785	TERMINALS, *CT, WALL, PART, 16MM	3
	52	TM-3788	TERMINALS, MARK, L	3
	53	TM-3790	TERMINALS, MARK, 1	1
	54	TM-3791	TERMINALS, MARK, 2	1
	55	TM-3792	TERMINALS, MARK, 3	1
	56	TM-3932	TERMINAL, GROUND	1
	58	WS-22294	WASHER, FLAT M4 18-8 S/S	4
	60	WS-22300	WASHER, M4 SPLIT LOCK	4

CORE CHASSIS PARTS, REFERENCE 5018670 (ADD TO 5015971)

ITEM	PART NUMBER	DESCRIPTION	5018670/QTY.	
*	1	5015350	WIRE ASSEMBLY, TBL TOP CTP ALL	1
*	4	5015382	WIRE ASSEMBLY, CTC/CTP RELAY	1
	6	5015979	PANEL ASSEMBLY, ELECTRICAL CHASSIS,	1
*	7	5016379	WIRE ASSEMBLY, TBL TOP CLASSIC&	1
*	8	5016435	WIRE ASSEMBLY, TBL TOP CTC/CTP ALL	1
*	9	5016436	WIRE ASSEMBLY, TBL TOP CTC/CTP ALL	1
*	10	5016629	WIRE ASSEMBLY, CONTROL BOARD, CTP	1
*	11	5016749	WIRE ASSEMBLY, TABLE TOP 208V,	1
*	12	5016753	WIRE ASSEMBLY, TABLETOP ALL VOLTS	1
*	13	5016795	WIRE ASSEMBLY, 6-10, 10-10	1
	16	BA-35693	BOARD, POWER SUPPLY 10-15VDC 8A	1
	17	BA-37262	BOARD ASSEMBLY, MODULAR TERMINAL	1
	19	CR-35759	CONNECTOR, 2 TERMINAL	1
	20	CR-35760	CONNECTOR, 4 TERMINAL	1
	21	CR-35761	CONNECTOR, 6 TERMINAL	1
	23	CR-35763	CONNECTOR, 8 TERMINAL	1
	24	CR-35765	TERMINAL, 3.5MM PLUGGABLE, 10	1
	28	FU-33184	5X20MM, SLOW BLO, 2 AMP, 250V	1
	29	FU-34770	FUSE HOLDER, 3 BANK	1
	30	FU-34772	FUSE, 15 AMP	3
	31	FU-36668	5X20MM, SLOW BLO, 5AMP, 250V	1
	32	LA-38832	LABEL, FUSE WARNING	1
	33	RL-33930	RELAY, 12VDC, 15A, 8 PINS	2
	34	RL-34634	UNIVERSAL MOUNTING SOCKET	2
	35	RL-37266	SPRING, HOLD DOWN,	2
	36	SC-22268	SCREW, M3x0.5X8MM PAN	2
	38	TI-35719	TIE, TWIST LOCK 0.5" STANDOFF	4
	39	TM-33675	JUMPER STRIP	-
	40	TM-34305	TERMINAL, SCREWLESS END	5
	41	TM-34306	TERMINAL, GROUND, 6mm, SPRING	2
	42	TM-34309	TERMINAL, END SECTION, SPRING	1
	43	TM-34311	TERMINAL, FUSE HOLDER, 8mm	1
	44	TM-34315	TERMINAL, END PLATE	1
	45	TM-34881	TERMINAL, 3.5MM PLUGGABLE, 4 POLE	1
	46	TM-34884	TERMINAL, 3.5MM PLUGGABLE, 6 POLE	1
	47	TM-34889	TERMINAL, 3.5MM PLUGGABLE, 8 POLE	2
	48	TM-34904	TERMINAL, 3-POLE GREEN, GMVSTBR	1
	49	TM-34931	TERMINAL, 3.5MM PLUGGABLE, 7 POLE	2
	57	TT-36119	THERMOSTAT, BI-METAL, 100 DEG CLOSE	1
	59	WS-22299	WASHER, M3 SPLIT LOCK	2

Note: Refer to MN-35949 Rev.2 for part numbers of wiring chassis for previous models

ELECTRICAL CHASSIS – CTP 6-10G 380-415V (5015972)

* = not shown

ITEM	PART NUMBER	DESCRIPTION	5015972 /QTY.
*	1	5015350 WIRE ASSEMBLY, TBL TOP CTP ALL	1
*	2	5015355 WIRE ASSEMBLY, 7-20, 10-20 CTP	1
*	3	5015380 WIRE ASSEMBLY, ALL ESG, ALL VOLTAGE	1
*	4	5015382 WIRE ASSEMBLY, CTC/CTP RELAY	1
	5	5015481 BRACKET ASSEMBLY, MOTOR DRIVE MOUNT	1
	6	5015979 PANEL ASSEMBLY, ELECTRICAL CHASSIS,	1
*	7	5016379 WIRE ASSEMBLY, TBL TOP CLASSIC&	1
*	8	5016435 WIRE ASSEMBLY, TBL TOP CTC/CTP ALL	1
*	9	5016436 WIRE ASSEMBLY, TBL TOP CTC/CTP ALL	1
*	10	5016629 WIRE ASSEMBLY, CONTROL BOARD, CTP	1
*	11	5016750 WIRE ASSEMBLY, 380V CTC/CTP	1
*	12	5016753 WIRE ASSEMBLY, TABLETOP ALL VOLTS	1
*	13	5016795 WIRE ASSEMBLY, 6-10, 10-10	1
	14	5017026 BRACKET, FILTER LINE, ASSEMBLY	1
	15	BA-34676 BOARD, VF MOTOR DRIVE	1
	16	BA-35693 BOARD, POWER SUPPLY 10-15VDC 8A	1
	17	BA-37262 BOARD ASSEMBLY, MODULAR TERMINAL	1
	18	CB-35777 CABLE, CAN-FAN, 4 POLE	1
	19	CR-35759 CONNECTOR, 2 TERMINAL	1
	20	CR-35760 CONNECTOR, 4 TERMINAL	1
	21	CR-35761 CONNECTOR, 6 TERMINAL	1
	22	CR-35762 CONNECTOR, 7 TERMINAL	1
	23	CR-35763 CONNECTOR, 8 TERMINAL	1
	24	CR-35765 TERMINAL, 3.5MM PLUGGABLE, 10	1
	25	CR-35766 TERMINAL, 3.5MM PLUGGABLE, 12	1
	26	EV-28115 ENVELOPE, PRESS ON (NOT SHOWN)	1
	27	FI-33225 FILTER LINE 115/250V 50/60HZ	1
	28	FU-33184 5X20MM, SLOW BLO, 2 AMP, 250V	1
	29	FU-33451 FUSE, TERMINAL, 6.3AMP	4
	30	FU-34749 FUSE, HOLDER COVER	1
	31	FU-34921 FUSE, 15 AMP, 250V, 5mm X 20mm	3
	32	FU-36668 5X20MM, SLOW BLO, 5AMP, 250V	1
	33	RL-33930 RELAY, 12VDC, 15A, 8 PINS	2
	34	RL-34634 UNIVERSAL MOUNTING SOCKET	2
	35	RL-37266 SPRING, HOLD DOWN,	2
	36	SC-22268 SCREW, M3x0.5X8MM PAN	2
	37	SC-22273 SCREW, M4x0.7X10MM PAN	4
	38	TI-35719 TIE, TWIST LOCK 0.5" STANDOFF	2
	39	TM-33479 TERMINALS, MARK, N	1
	40	TM-33675 JUMPER STRIP	4
	41	TM-34305 TERMINAL, SCREWLESS END	5
	42	TM-34306 TERMINAL, GROUND, 6mm, SPRING	2
	43	TM-34309 TERMINAL, END SECTION, SPRING	1
	44	TM-34881 TERMINAL, 3.5MM PLUGGABLE, 4 POLE	1
	45	TM-34884 TERMINAL, 3.5MM PLUGGABLE, 6 POLE	2
	46	TM-34889 TERMINAL, 3.5MM PLUGGABLE, 8 POLE	2
	47	TM-34904 TERMINAL, 3-POLE GREEN, GMVSTBR	1
	48	TM-34931 TERMINAL, 3.5MM PLUGGABLE, 7 POLE	2
	49	TM-3779 TERMINAL BLOCK	8
	50	TM-3785 TERMINALS, *CT, WALL, PART., 16MM	4
	51	TM-3788 TERMINALS, MARK, L	3
	52	TM-3790 TERMINALS, MARK, 1	1
	53	TM-3791 TERMINALS, MARK, 2	1
	54	TM-3792 TERMINALS, MARK, 3	1
	55	TM-3932 TERMINAL, GROUND	1
	56	TT-36119 THERMOSTAT, BI-METAL, 100 DEG CLOSE	1
	57	WS-22294 WASHER, FLAT M4 18-8 S/S	4
	58	WS-22299 WASHER, M3 SPLIT LOCK	2
	59	WS-22300 WASHER, M4 SPLIT LOCK	4

Note: Refer to MN-35949 Rev.2 for part numbers of wiring chassis for previous models

ELECTRICAL CHASSIS – CTP 6-10E 208-240V 1P_H (5016523)

CORE CHASSIS PARTS, REFERENCE 5018670 (ADD TO 5016523)

* = not shown

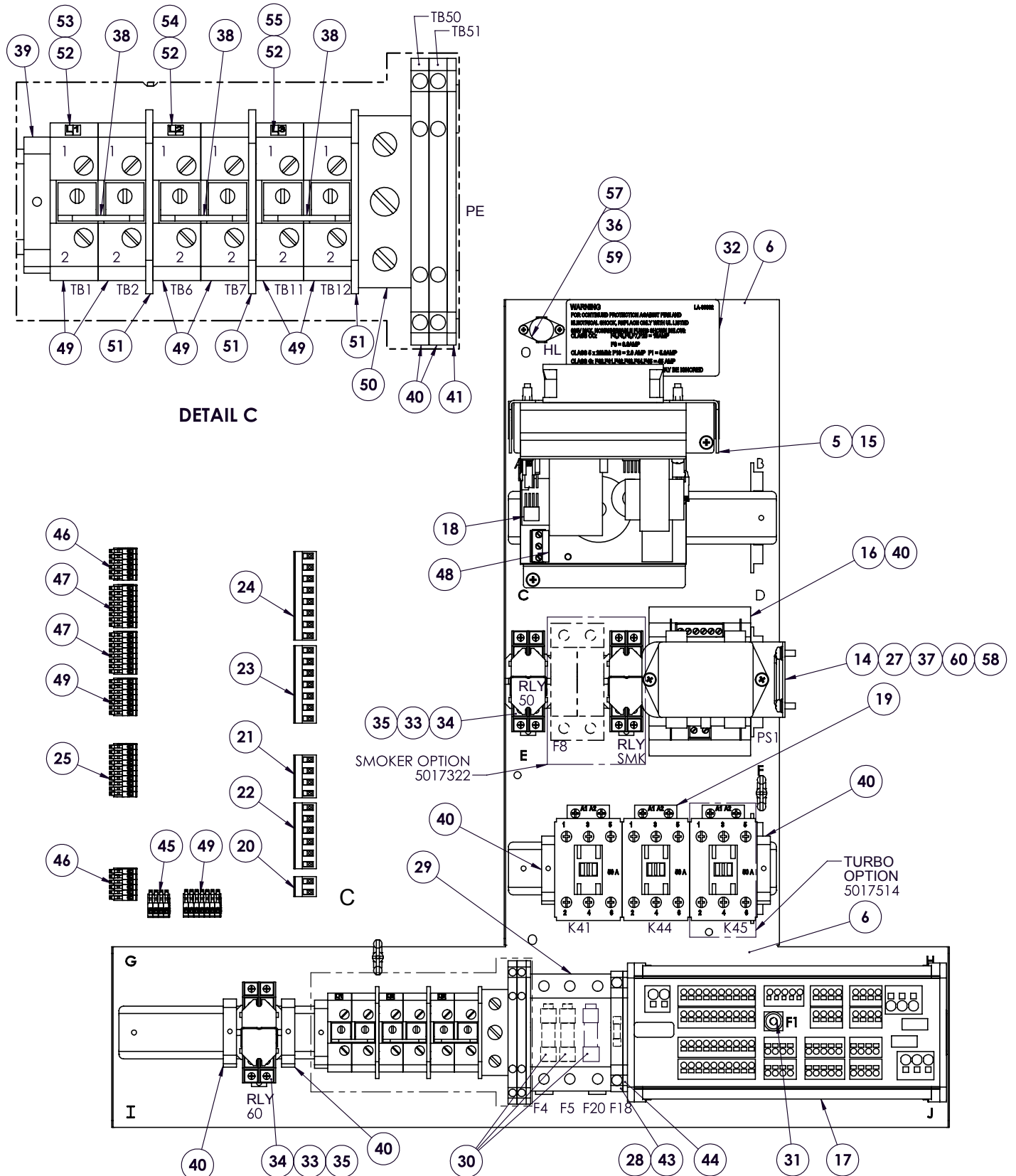
ITEM	PART NUMBER	DESCRIPTION	5018670 /QTY.	
*	1	5015350	WIRE ASSEMBLY, TBL TOP CTP ALL	1
*	4	5015382	WIRE ASSEMBLY, CTC/CTP RELAY	1
*	6	5015979	PANEL ASSEMBLY, ELECTRICAL CHASSIS,	1
*	7	5016379	WIRE ASSEMBLY, TBL TOP CLASSIC&	1
*	8	5016435	WIRE ASSEMBLY, TBL TOP CTC/CTP ALL	1
*	9	5016436	WIRE ASSEMBLY, TBL TOP CTC/CTP ALL	1
*	10	5016629	WIRE ASSEMBLY, CONTROL BOARD, CTP	1
*	11	5016749	WIRE ASSEMBLY, TABLE TOP 208V,	1
*	12	5016753	WIRE ASSEMBLY, TABLETOP ALL VOLTS	1
*	13	5016795	WIRE ASSEMBLY, 6-10, 10-10	1
*	16	BA-35693	BOARD, POWER SUPPLY 10-15VDC 8A	1
*	17	BA-37262	BOARD ASSEMBLY, MODULAR TERMINAL	1
*	20	CR-35759	CONNECTOR, 2 TERMINAL	1
*	21	CR-35760	CONNECTOR, 4 TERMINAL	1
*	22	CR-35761	CONNECTOR, 6 TERMINAL	1
*	24	CR-35763	CONNECTOR, 8 TERMINAL	1
*	25	CR-35765	TERMINAL, 3.5MM PLUGGABLE, 10	1
*	28	FU-33184	5X20MM, SLOW BLO, 2 AMP, 250V	1
*	29	FU-34770	FUSE HOLDER, 3 BANK	1
*	30	FU-34772	FUSE, 15 AMP	3
*	31	FU-36668	5X20MM, SLOW BLO, 5AMP, 250V	1
*	32	LA-38832	LABEL, FUSE WARNING	1
*	33	RL-33930	RELAY, 12VDC, 15A, 8 PINS	2
*	34	RL-34634	UNIVERSAL MOUNTING SOCKET	2
*	35	RL-37266	SPRING, HOLD DOWN,	2
*	36	SC-22268	SCREW, M3x0.5X8MM PAN	2
*	38	TI-35719	TIE, TWIST LOCK 0.5" STANDOFF	4
*	40	TM-34305	TERMINAL, SCREWLESS END	5
*	41	TM-34306	TERMINAL, GROUND, 6mm, SPRING	2
*	42	TM-34309	TERMINAL, END SECTION, SPRING	1
*	43	TM-34311	TERMINAL, FUSE HOLDER, 8mm	1
*	44	TM-34315	TERMINAL, END PLATE	1
*	45	TM-34881	TERMINAL, 3.5MM PLUGGABLE, 4 POLE	1
*	46	TM-34884	TERMINAL, 3.5MM PLUGGABLE, 6 POLE	1
*	47	TM-34889	TERMINAL, 3.5MM PLUGGABLE, 8 POLE	2
*	48	TM-34904	TERMINAL, 3-POLE GREEN, GMVSTBR	1
*	49	TM-34931	TERMINAL, 3.5MM PLUGGABLE, 7 POLE	2
*	56	TT-36119	THERMOSTAT, BI-METAL, 100 DEG CLOSE	1
*	58	WS-22299	WASHER, M3 SPLIT LOCK	2

REMAINING PARTS TO BUILD CHASSIS 5016523

ITEM	PART NUMBER	DESCRIPTION	5016523 /QTY.	
*	2	5015357	WIRE ASSEMBLY, 6-10, 10-10, 7-20 CTP	1
*	3	5015375	WIRE ASSEMBLY, 6-10, 7-20, 10-10	1
*	5	5015481	BRACKET ASSEMBLY, MOTOR DRIVE MOUNT	1
*	14	5017026	BRACKET, FILTER LINE, ASSEMBLY	1
*	15	BA-34676	BOARD, VF MOTOR DRIVE	1
*	18	CB-35777	CABLE, CAN-FAN, 4 POLE	1
*	19	CN-3731	CONTACTOR, 50 AMP	2
*	23	CR-35762	CONNECTOR, 7 TERMINAL	1
*	26	EV-28115	ENVELOPE, PRESS ON (NOT SHOWN)	1
*	27	FI-33225	FILTER LINE 115/250V 50/60HZ	1
*	34	RL-34634	UNIVERSAL MOUNTING SOCKET	3
*	37	SC-22273	SCREW, M4x0.7X10MM PAN	4
*	39	TM-33479	TERMINALS, MARK, N	1
*	50	TM-36351	TERMINAL FEED THROUGH BLOCK	4
*	51	TM-36352	CROSS CONNECTOR WITH SCREWS	2
*	52	TM-3782	TERMINAL, GROUND, 35mm	1
*	53	TM-3788	TERMINALS, MARK, L	2
*	54	TM-3790	TERMINALS, MARK, 1	1
*	55	TM-3791	TERMINALS, MARK, 2	1
*	57	WS-22294	WASHER, FLAT M4 18-8 S/S	4
*	59	WS-22300	WASHER, M4 SPLIT LOCK	4

Note: Refer to MN-35949 Rev.2 for part numbers of wiring chassis for previous models

ELECTRICAL CHASSIS – CTP 6-10E 208-240V 3PH (5015973)



ELECTRICAL CHASSIS – CTP 6-10E 208-240V 3P_H (5015973)

CORE CHASSIS PARTS, REFERENCE 5018670 (ADD TO 5015973)

ITEM	PART NUMBER	DESCRIPTION	5018670 /QTY.
1	5015350	WIRE ASSY, TBL TOP CTP ALL	1
4	5015382	WIRE ASSY, CTC/CTP RELAY	1
6	5015979	PANEL ASSY,ELECTRICAL CHASSIS,	1
7	5016379	WIRE ASSY, TBL TOP CLASSIC&	1
8	5016435	WIRE ASSY,TBL TOP CTC/CTP ALL	1
9	5016436	WIRE ASSY, TBL TOP CTC/CTP ALL	1
10	5016629	WIRE ASSY, 6.10,10.10,7.14,10.18 ES/ESI/ESG	1
11	5016749	WIRE ASSY, TABLE TOP 208V,	1
12	5016753	WIRE ASSY, TABLETOP ALL VOLTS	1
13	5016795	WIRE ASSY, 6-10,10-10,7-20	1
16	BA-35693	BOARD,POWER SUPPLY 10-15VDC 8A	1
17	BA-37262	BOARD ASSY, MODULAR TERMINAL	1
20	CR-35759	CONNECTOR, 2 TERMINAL	1
21	CR-35760	CONNECTOR, 4 TERMINAL	1
22	CR-35761	CONNECTOR, 6 TERMINAL	1
24	CR-35763	CONNECTOR, 8 TERMINAL	1
25	CR-35765	TERMINAL, 3.5MM PLUGGABLE, 10	1
28	FU-33184	5X20MM, SLOW BLO, 2 AMP, 250V	1
29	FU-34770	FUSE HOLDER, 3 BANK	1
30	FU-34772	FUSE, 15 AMP	3
31	FU-36668	5X20MM, SLOW BLO, 5AMP, 250V	1
32	LA-38832	LABEL, FUSE WARNING	1
33	RL-33930	RELAY, 12VDC, 15A, 8 PINS	2
34	RL-34634	UNIVERSAL MOUNTING SOCKET	2
35	RL-37266	SPRING, HOLD DOWN,	2
36	SC-22268	SCREW,M3x0.5X8MM PAN	2
38	TI-35719	TIE, TWIST LOCK 0.5" STANDOFF	4
40	TM-34305	TERMINAL, SCREWLESS END	5
41	TM-34306	TERMINAL, GROUND, 6mm, SPRING	2
42	TM-34309	TERMINAL,END SECTION, SPRING	1
43	TM-34311	TERMINAL,FUSE HOLDER,8mm	1
44	TM-34315	TERMINAL,END PLATE	1
45	TM-34881	TERMINAL, 3.5MM PLUGGABLE, 4 POLE	1
46	TM-34884	TERMINAL, 3.5MM PLUGGABLE, 6 POLE	1
47	TM-34889	TERMINAL, 3.5MM PLUGGABLE, 8 POLE	1
48	TM-34904	TERMINAL, 3-POLE GREEN, GMVSTBR	1
49	TM-34931	TERMINAL, 3.5MM PLUGGABLE, 7 POLE	2
57	TT-36119	THERMOSTAT, BI-METAL,100 DEG CLOSE	1
59	WS-22299	WASHER, M3 SPLIT LOCK	2

REMAINING PARTS TO BUILD CHASSIS 5015973

ITEM	PART NUMBER	DESCRIPTION	5015973 /QTY.
2	5015357	WIRE ASSY,6-10,10-10,7-20 CTP	1
3	5015376	WIRE ASSY, 6.10,10.10,7.14 ESI	1
5	5015481	BRACKET ASSY,MOTOR DRIVE MOUNT	1
13	5017026	BRACKET,FILTER LINE, ASSEMBLY	1
14	BA-34676	BOARD, VF MOTOR DRIVE	1
17	CB-35777	CABLE, CAN-FAN, 4 POLE	1
18	CN-3731	CONTACTOR, 50 AMP	2
22	CR-35762	CONNECTOR, 7 TERMINAL	1
25	EV-28115	ENVELOPE, PRESS ON	1
26	FI-33225	FILTER LINE 115/250V 50/60HZ	1
36	SC-22273	SCREW,M4x0.7X10MM PAN	4
38	TM-33837	JUMPER STRIP	3
49	TM-3780	TERMINALS,*CT,SER.,35MM	6
50	TM-3782	TERMINAL, GROUND, 35mm	1
51	TM-3786	TERMINAL, CT, 35mm WALL, PART	3
52	TM-3788	TERMINALS, MARK, L	3
53	TM-3790	TERMINALS, MARK, 1	1
54	TM-3791	TERMINALS, MARK, 2	1
55	TM-3792	TERMINALS, MARK, 3	1
57	WS-22294	WASHER, FLAT M4 18-8 S/S	4
61	WS-22300	WASHER, M4 SPLIT LOCK	4

Note: Refer to MN-38630 for part numbers of wiring chassis for previous models

ELECTRICAL CHASSIS – CTP 6-10E 380-415V (5015975)

REMAINING PARTS TO BUILD CHASSIS 5015975

ITEM	PART NUMBER	DESCRIPTION	5015975 /QTY.
6	5015481	BRACKET ASSEMBLY, MOTOR DRIVE MOUNT	1
16	BA-34676	BOARD, VF MOTOR DRIVE	1
19	CB-35777	CABLE, CAN-FAN, 4 POLE	1

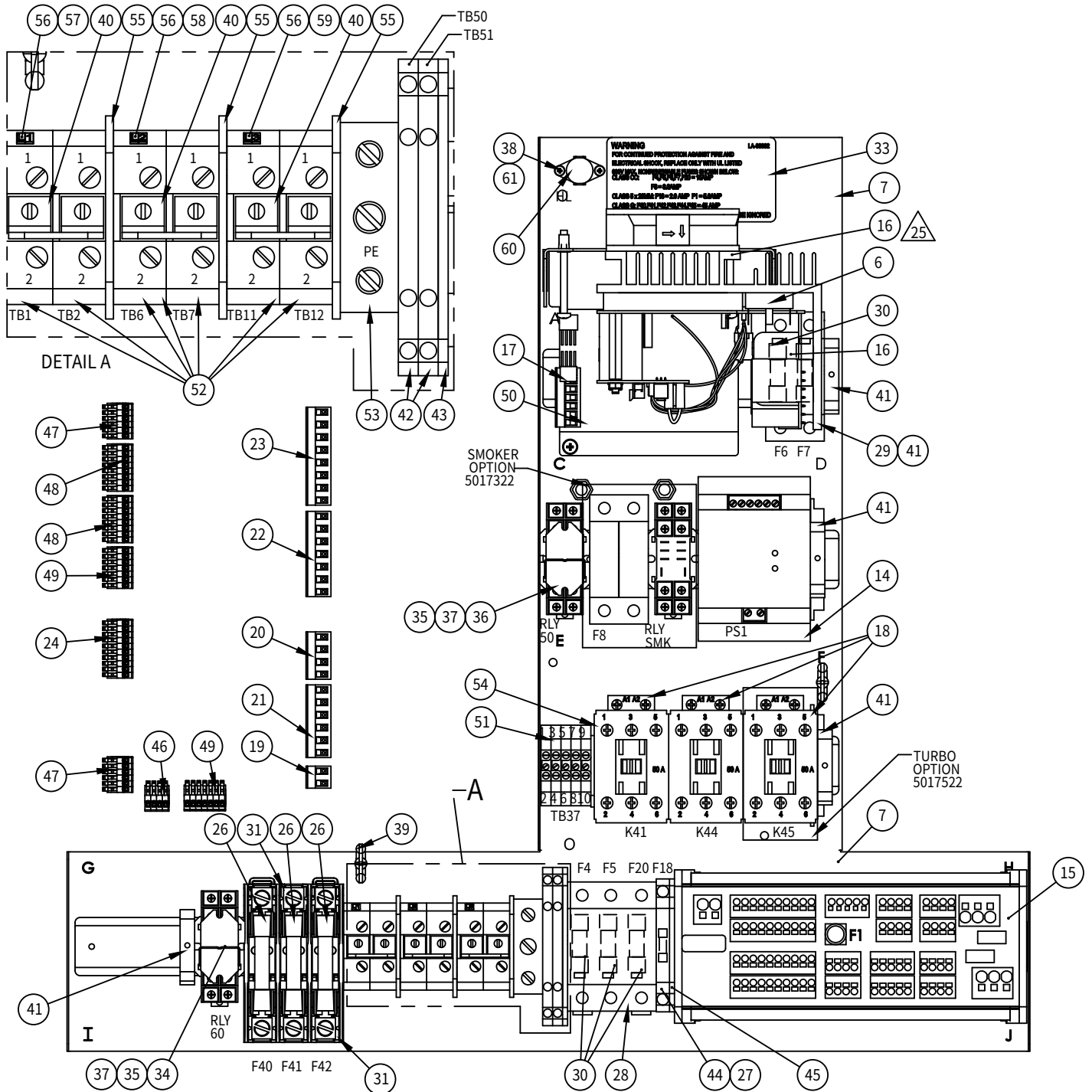
CORE CHASSIS PARTS, REFERENCE 5018677 (ADD TO 5015975)

* = not shown

ITEM	PART NUMBER	DESCRIPTION	5018677 /QTY.
1	1014554	BRACKET, DIN STOP	2
*	2	5015350 WIRE ASSEMBLY, TBL TOP CTP ALL	1
*	3	5015357 WIRE ASSEMBLY, 6-10, 10-10, 7-20 CTP	1
*	4	5015371 WIRE ASSEMBLY, 7-20, 10-10 CTP	1
*	5	5015382 WIRE ASSEMBLY, CTC/CTP RELAY	1
7	5015979	PANEL ASSEMBLY, ELECTRICAL CHASSIS,	1
*	8	5016379 WIRE ASSEMBLY, TBL TOP CLASSIC&	1
*	9	5016435 WIRE ASSEMBLY, TBL TOP CTC/CTP ALL	1
*	10	5016436 WIRE ASSEMBLY, TBL TOP CTC/CTP ALL	1
*	11	5016629 WIRE ASSEMBLY, CONTROL BOARD, CTP	1
*	12	5016750 WIRE ASSEMBLY, 380V CTC/CTP	1
*	13	5016753 WIRE ASSEMBLY, TABLETOP ALL VOLTS	1
*	14	5016795 WIRE ASSEMBLY, 6-10, 10-10	1
*	15	5017026 BRACKET, FILTER LINE, ASSEMBLY	1
17	BA-35693	BOARD, POWER SUPPLY 10-15VDC 8A	1
18	BA-37262	BOARD ASSEMBLY, MODULAR TERMINAL	1
20	CN-3731	CONTACTOR, 50 AMP	3
21	CR-35759	CONNECTOR, 2 TERMINAL	1
22	CR-35760	CONNECTOR, 4 TERMINAL	1
23	CR-35761	CONNECTOR, 6 TERMINAL	1
24	CR-35762	CONNECTOR, 7 TERMINAL	1
25	CR-35763	CONNECTOR, 8 TERMINAL	1
26	CR-35765	TERMINAL, 3.5MM PLUGGABLE, 10	1
27	CR-35766	TERMINAL, 3.5MM PLUGGABLE, 12	1
28	EV-28115	ENVELOPE, PRESS ON (NOT SHOWN)	1
29	FI-33225	FILTER LINE 115/250V 50/60HZ	1
30	FI-33990	EMI FILTER	3
31	FU-33184	5X20MM, SLOW BLO, 2 AMP, 250V	1
32	FU-33444	FUSE, DO2 NEOZED BASE & COVER	3
33	FU-33445	FUSE, DO2 NEOZED SCREW CAP	3
34	FU-33451	FUSE, TERMINAL, 6.3AMP	4
35	FU-34749	FUSE, HOLDER COVER	1
36	FU-34921	FUSE, 15 AMP, 250V, 5mm X 20mm	3
37	FU-35497	FUSE, DO2 NEOZED GAUGE RING 50A	3
38	FU-35850	FUSE, DO2 NEOZED 50A, WHITE	3
39	FU-36668	5X20MM, SLOW BLO, 5AMP, 250V	1
40	RL-33930	RELAY, 12VDC, 15A, 8 PINS	2
41	RL-34634	UNIVERSAL MOUNTING SOCKET	2
42	RL-37266	SPRING, HOLD DOWN,	2
43	SC-22268	SCREW, M3x0.5X8MM PAN	2
44	SC-22273	SCREW, M4x0.7X10MM PAN	4
45	TI-35719	TIE, TWIST LOCK 0.5" STANDOFF	2
46	TM-33479	TERMINALS, MARK, N	1
47	TM-33837	JUMPER STRIP	4
48	TM-34305	TERMINAL, SCREWLESS END	1
49	TM-34306	TERMINAL, GROUND, 6mm, SPRING	2
50	TM-34309	TERMINAL, END SECTION, SPRING	1
51	TM-34881	TERMINAL, 3.5MM PLUGGABLE, 4 POLE	1
52	TM-34884	TERMINAL, 3.5MM PLUGGABLE, 6 POLE	2
53	TM-34889	TERMINAL, 3.5MM PLUGGABLE, 8 POLE	2
54	TM-34904	TERMINAL, 3-POLE GREEN, GMVSTBR	1
55	TM-34931	TERMINAL, 3.5MM PLUGGABLE, 7 POLE	2
56	TM-3780	TERMINALS, *CT, SER., 35MM	8
57	TM-3782	TERMINAL, GROUND, 35mm	1
58	TM-3786	TERMINAL, CT, 35mm WALL, PART	4
59	TM-3788	TERMINALS, MARK, L	3
60	TM-3790	TERMINALS, MARK, 1	1
61	TM-3791	TERMINALS, MARK, 2	1
62	TM-3792	TERMINALS, MARK, 3	1
63	TT-36119	THERMOSTAT, BI-METAL, 100 DEG CLOSE	1
64	WS-22294	WASHER, FLAT M4 18-8 S/S	4
65	WS-22299	WASHER, M3 SPLIT LOCK	2
66	WS-22300	WASHER, M4 SPLIT LOCK	4

Note: Refer to MN-35949 Rev.2 for part numbers of wiring chassis for previous models

ELECTRICAL CHASSIS – CTP 6-10E 440-480V (5015977)

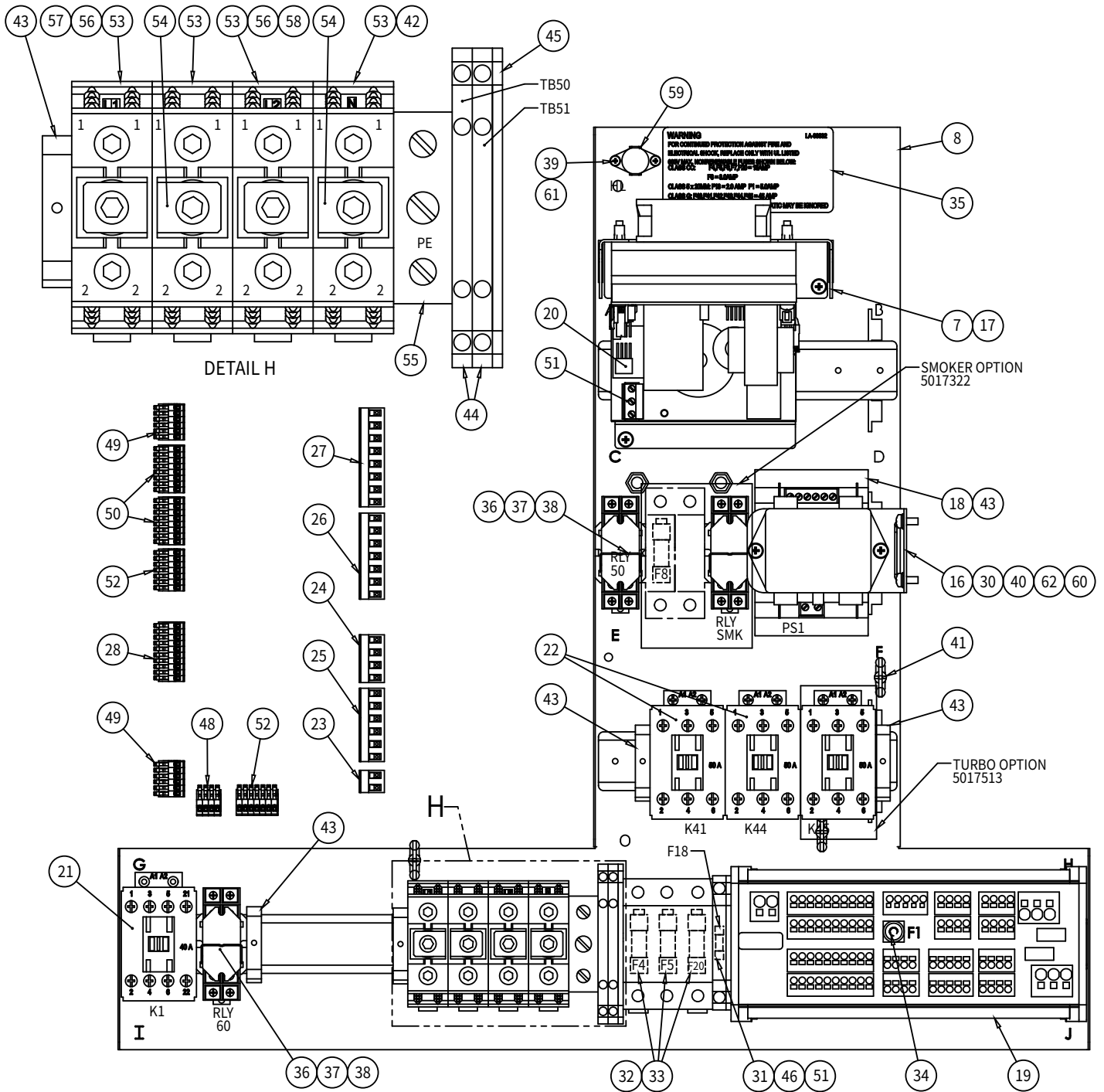


ELECTRICAL CHASSIS – CTP 6-10E 440-480V (5015977)

ITEM	PART NUMBER	DESCRIPTION	5015977 /QTY
1	5015351	WIRE ASM, 6-10, 10-10, 10-20, 7-20	1
2	5015357	WIRE ASSEMBLY, 6-10, 10-10, 7-20 CTP	1
3	5015358	WIRE ASSEMBLY, 440V POWER CVRSN	1
4	5015360	WIRE ASSEMBLY, MDM EI 440V TOUCH	1
5	5015382	WIRE ASSEMBLY, CTC/CTP RELAY	1
6	5015481	BRACKET ASSEMBLY, MOTOR DRIVE MOUNT	1
7	5015979	PANEL ASSEMBLY, ELECTRICAL CHASSIS,	1
8	5016379	WIRE ASSEMBLY, TBL TOP CLASSIC&	1
9	5016435	WIRE ASSEMBLY, TBL TOP CTC/CTP ALL	1
10	5016436	WIRE ASSEMBLY, TBL TOP CTC/CTP ALL	1
11	5016640	WIRE ASSEMBLY, 6.10, 10.10, 7.14, 10.18 ES/ESI/ESG	1
12	5016753	WIRE ASSEMBLY, TABLETOP ALL VOLTS	1
13	5016795	WIRE ASSEMBLY, 6-10, 10-10	1
14	BA-35693	BOARD, POWER SUPPLY 10-15VDC 8A	1
15	BA-37262	BOARD ASSEMBLY, MODULAR TERMINAL	1
16	BA-38644	BOARD, VFD, 440V 3-PHASE	1
17	CB-35777	CABLE, CAN-FAN, 4 POLE	1
18	CN-3731	CONTACTOR, 50 AMP	3
19	CR-35759	CONNECTOR, 2 TERMINAL	1
20	CR-35760	CONNECTOR, 4 TERMINAL	1
21	CR-35761	CONNECTOR, 6 TERMINAL	1
22	CR-35762	CONNECTOR, 7 TERMINAL	1
23	CR-35763	CONNECTOR, 8 TERMINAL	1
24	CR-35765	TERMINAL, 3.5MM PLUGGABLE, 10	1
25	EV-28115	ENVELOPE, PRESS ON (NOT SHOWN)	1
26	FU-33040	45A, MP, CLASS G, 480V MED. TIME-LAG	3
27	FU-33184	5X20MM, SLOW BLO, 2 AMP, 250V	1
28	FU-34770	FUSE HOLDER, 3 BANK	1
29	FU-34771	FUSE HOLDER, 2 BANK	1
30	FU-34772	FUSE, 15 AMP	5
31	FU-35728	FUSE HOLDER, 60A 480V CLASS G	1
32	FU-36668	5X20MM, SLOW BLO, 5AMP, 250V	1
33	LA-38832	LABEL, FUSE WARNING	1
34	RL-33930	RELAY, 12VDC, 15A, 8 PINS	1
35	RL-34634	UNIVERSAL MOUNTING SOCKET	2
36	RL-36100	RELAY, DPDT, 12VDC	1
37	RL-37266	SPRING, HOLD DOWN,	2
38	SC-22268	SCREW, M3x0.5X8MM PAN	2
39	TI-35719	TIE, TWIST LOCK 0.5" STANDOFF	2
40	TM-33837	JUMPER STRIP	3
41	TM-34305	TERMINAL, SCREWLESS END	5
42	TM-34306	TERMINAL, GROUND, 6mm, SPRING	2
43	TM-34309	TERMINAL, END SECTION, SPRING	1
44	TM-34311	TERMINAL, FUSE HOLDER, 8mm	1
45	TM-34315	TERMINAL, END PLATE	1
46	TM-34881	TERMINAL, 3.5MM PLUGGABLE, 4 POLE	1
47	TM-34884	TERMINAL, 3.5MM PLUGGABLE, 6 POLE	2
48	TM-34889	TERMINAL, 3.5MM PLUGGABLE, 8 POLE	2
49	TM-34931	TERMINAL, 3.5MM PLUGGABLE, 7 POLE	2
50	TM-34937	TERMINAL, 7-POLE GREEN, MSTB	1
51	TM-3778	TERMINALS, *CT, SERIES, 4MM	5
52	TM-3780	TERMINALS, *CT, SER., 35MM	6
53	TM-3782	TERMINAL, GROUND, 35mm	1
54	TM-3783	TERMINAL, WALL, 4MM	1
55	TM-3786	TERMINAL, CT, 35mm WALL, PART	3
56	TM-3788	TERMINALS, MARK, L	3
57	TM-3790	TERMINALS, MARK, 1	1
58	TM-3791	TERMINALS, MARK, 2	1
59	TM-3792	TERMINALS, MARK, 3	1
60	TT-36119	THERMOSTAT, BI-METAL, 100 DEG CLOSE	1
61	WS-22299	WASHER, M3 SPLIT LOCK	2

Note: Refer to MN-35949 Rev.2 for part numbers of wiring chassis for previous models

ELECTRICAL CHASSIS – CTP 6-10EB 208-240V 1P_H (5016524)



ELECTRICAL CHASSIS – CTP 6-10EB 208-240V 1P_H (5016524)

CORE CHASSIS PARTS, REFERENCE 5018670 (ADD TO 5016524)

* = not shown

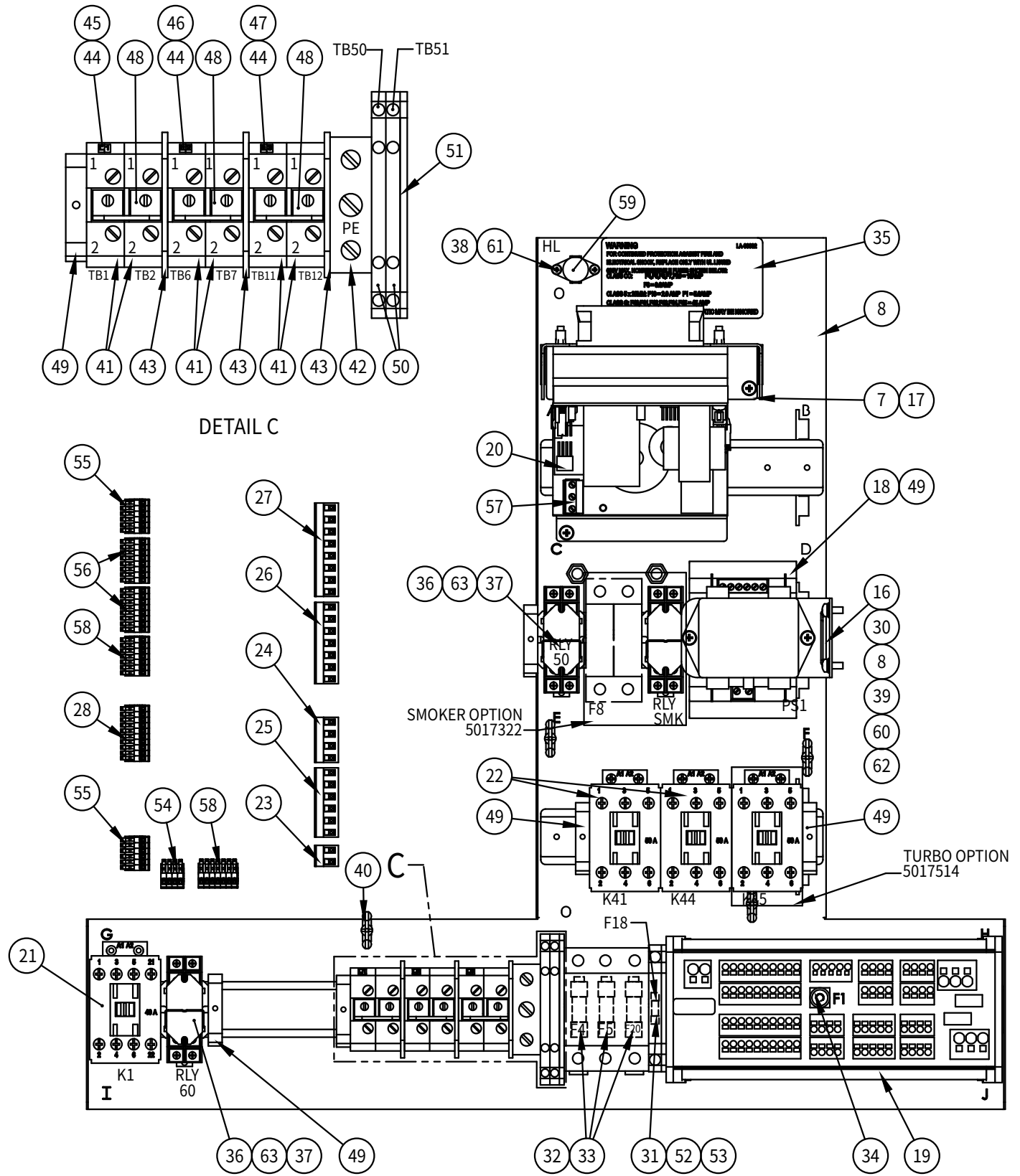
ITEM	PART NUMBER	DESCRIPTION	5018670 /QTY	
*	2	5015350	WIRE ASSEMBLY, TBL TOP CTP ALL	1
*	6	5015382	WIRE ASSEMBLY, CTC/CTP RELAY	1
*	8	5015979	PANEL ASSEMBLY, ELECTRICAL CHASSIS,	1
*	9	5016379	WIRE ASSEMBLY, TBL TOP CLASSIC&	1
*	10	5016435	WIRE ASSEMBLY, TBL TOP CTC/CTP ALL	1
*	11	5016436	WIRE ASSEMBLY, TBL TOP CTC/CTP ALL	1
*	12	5016629	WIRE ASSEMBLY, CONTROL BOARD, CTP	1
*	13	5016749	WIRE ASSEMBLY, TABLE TOP 208V,	1
*	14	5016753	WIRE ASSEMBLY, TABLETOP ALL VOLTS	1
	15	5016795	WIRE ASSEMBLY, 6-10, 10-10	1
	18	BA-35693	BOARD, POWER SUPPLY 10-15VDC 8A	1
	19	BA-37262	BOARD ASSEMBLY, MODULAR TERMINAL	1
	23	CR-35759	CONNECTOR, 2 TERMINAL	1
	24	CR-35760	CONNECTOR, 4 TERMINAL	1
	25	CR-35761	CONNECTOR, 6 TERMINAL	1
	27	CR-35763	CONNECTOR, 8 TERMINAL	1
	28	CR-35765	TERMINAL, 3.5MM PLUGGABLE, 10	1
	31	FU-33184	5X20MM, SLOW BLO, 2 AMP, 250V	1
	32	FU-34770	FUSE HOLDER, 3 BANK	1
	33	FU-34772	FUSE, 15 AMP	3
	34	FU-36668	5X20MM, SLOW BLO, 5AMP, 250V	1
	35	LA-38832	LABEL, FUSE WARNING	1
	36	RL-33930	RELAY, 12VDC, 15A, 8 PINS	2
	37	RL-34634	UNIVERSAL MOUNTING SOCKET	2
	38	RL-37266	SPRING, HOLD DOWN,	2
	39	SC-22268	SCREW, M3x0.5X8MM PAN	2
	41	TI-35719	TIE, TWIST LOCK 0.5" STANDOFF	4
	43	TM-34305	TERMINAL, SCREWLESS END	5
	44	TM-34306	TERMINAL, GROUND, 6mm, SPRING	2
	45	TM-34309	TERMINAL, END SECTION, SPRING	1
	46	TM-34311	TERMINAL, FUSE HOLDER, 8mm	1
	47	TM-34315	TERMINAL, END PLATE	1
	48	TM-34881	TERMINAL, 3.5MM PLUGGABLE, 4 POLE	1
	49	TM-34884	TERMINAL, 3.5MM PLUGGABLE, 6 POLE	1
	50	TM-34889	TERMINAL, 3.5MM PLUGGABLE, 8 POLE	2
	51	TM-34904	TERMINAL, 3-POLE GREEN, GMVSTBR	1
	52	TM-34931	TERMINAL, 3.5MM PLUGGABLE, 7 POLE	2
	59	TT-36119	THERMOSTAT, BI-METAL, 100 DEG CLOSE	1
	61	WS-22299	WASHER, M3 SPLIT LOCK	2

REMAINING PARTS TO BUILD CHASSIS 5016524

ITEM	PART NUMBER	DESCRIPTION	5016524 /QTY	
*	1	5015346	WIRE ASSEMBLY 6-10 208-240V 1P	1
*	3	5015357	WIRE ASSEMBLY, 6-10, 10-10, 7-20 CTP	1
*	4	5015375	WIRE ASSEMBLY, 6-10, 7-20, 10-10	1
*	5	5015381	WIRE ASSEMBLY, 6-10, 10-10, 7-20 ALL	1
	7	5015481	BRACKET ASSEMBLY, MOTOR DRIVE MOUNT	1
	16	5017026	BRACKET, FILTER LINE, ASSEMBLY	1
	17	BA-34676	BOARD, VF MOTOR DRIVE	1
	20	CB-35777	CABLE, CAN-FAN, 4 POLE	1
	21	CN-3654	CONTACTOR, 40 AMP	1
	22	CN-3731	CONTACTOR, 50 AMP	2
	26	CR-35762	CONNECTOR, 7 TERMINAL	1
*	29	EV-28115	ENVELOPE, PRESS ON (NOT SHOWN)	1
	30	FI-33225	FILTER LINE 115/250V 50/60HZ	1
	40	SC-22273	SCREW, M4x0.7X10MM PAN	4
	42	TM-33479	TERMINALS, MARK, N	1
	53	TM-36351	TERMINAL FEED THROUGH BLOCK	4
	54	TM-36352	CROSS CONNECTOR WITH SCREWS	2
	55	TM-3782	TERMINAL, GROUND, 35mm	1
	56	TM-3788	TERMINALS, MARK, L	2
	57	TM-3790	TERMINALS, MARK, 1	1
	58	TM-3791	TERMINALS, MARK, 2	1
	60	WS-22294	WASHER, FLAT M4 18-8 S/S	4
	62	WS-22300	WASHER, M4 SPLIT LOCK	4

Note: Refer to MN-35949 Rev.2 for part numbers of wiring chassis for previous models

ELECTRICAL CHASSIS – CTP 6-10EB 208-240V 3P_H (5015974)



ELECTRICAL CHASSIS – CTP 6-10EB 208-240V 3P_H (5015974)

CORE CHASSIS PARTS, REFERENCE 5018670 (ADD TO 5015974)

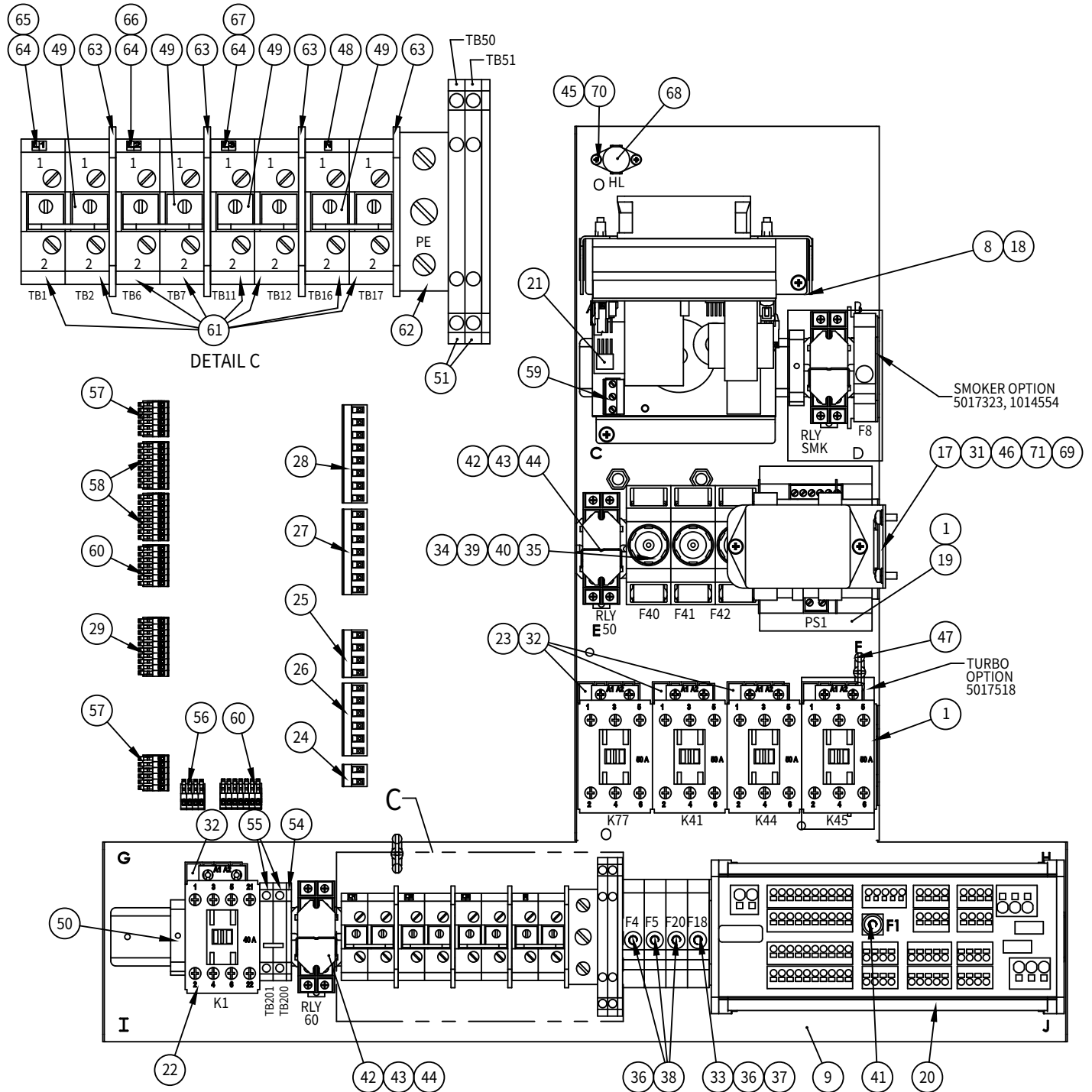
ITEM	PART NUMBER	DESCRIPTION	5018670 /QTY.
2	5015350	WIRE ASSEMBLY, TBL TOP CTP ALL	1
6	5015382	WIRE ASSEMBLY, CTC/CTP RELAY	1
8	5015979	PANEL ASSEMBLY, ELECTRICAL CHASSIS,	1
9	5016379	WIRE ASSEMBLY, TBL TOP CLASSIC&	1
10	5016435	WIRE ASSEMBLY, TBL TOP CTC/CTP ALL	1
11	5016436	WIRE ASSEMBLY, TBL TOP CTC/CTP ALL	1
12	5016629	WIRE ASSEMBLY, CONTROL BOARD, CTP	1
13	5016749	WIRE ASSEMBLY, TABLE TOP 208V,	1
14	5016753	WIRE ASSEMBLY, TABLETOP ALL VOLTS	1
15	5016795	WIRE ASSEMBLY, 6-10, 10-10	1
18	BA-35693	BOARD, POWER SUPPLY 10-15VDC 8A	1
19	BA-37262	BOARD ASSEMBLY, MODULAR TERMINAL	1
23	CR-35759	CONNECTOR, 2 TERMINAL	1
24	CR-35760	CONNECTOR, 4 TERMINAL	1
25	CR-35761	CONNECTOR, 6 TERMINAL	1
27	CR-35763	CONNECTOR, 8 TERMINAL	1
28	CR-35765	TERMINAL, 3.5MM PLUGGABLE, 10	1
31	FU-33184	5X20MM, SLOW BLO, 2 AMP, 250V	1
32	FU-34770	FUSE HOLDER, 3 BANK	1
33	FU-34772	FUSE, 15 AMP	3
34	FU-36668	5X20MM, SLOW BLO, 5AMP, 250V	1
35	LA-38832	LABEL, FUSE WARNING	1
36	RL-33930	RELAY, 12VDC, 15A, 8 PINS	2
37	RL-37266	SPRING, HOLD DOWN,	2
38	SC-22268	SCREW, M3x0.5X8MM PAN	2
40	TI-35719	TIE, TWIST LOCK 0.5" STANDOFF	4
42	TM-34305	TERMINAL, SCREWLESS END	5
43	TM-34306	TERMINAL, GROUND, 6mm, SPRING	2
44	TM-34309	TERMINAL, END SECTION, SPRING	1
45	TM-34311	TERMINAL, FUSE HOLDER, 8mm	1
46	TM-34315	TERMINAL, END PLATE	1
47	TM-34881	TERMINAL, 3.5MM PLUGGABLE, 4 POLE	1
48	TM-34884	TERMINAL, 3.5MM PLUGGABLE, 6 POLE	1
49	TM-34889	TERMINAL, 3.5MM PLUGGABLE, 8 POLE	2
50	TM-34904	TERMINAL, 3-POLE GREEN, GMVSTBR	1
51	TM-34931	TERMINAL, 3.5MM PLUGGABLE, 7 POLE	2
59	TT-36119	THERMOSTAT, BI-METAL, 100 DEG CLOSE	1
61	WS-22299	WASHER, M3 SPLIT LOCK	2
63	RL-34634	UNIVERSAL MOUNTING SOCKET	2

REMAINING PARTS TO BUILD CHASSIS 5015974

ITEM	PART NUMBER	DESCRIPTION	5015974 /QTY.
1	5015343	WIRE ASSEMBLY, 6-10, 208-240V 3PH	1
3	5015357	WIRE ASSEMBLY, 6-10, 10-10, 7-20 CTP	1
4	5015376	WIRE ASSEMBLY, 6,10, 10,10, 7,14 ESI	1
5	5015381	WIRE ASSEMBLY, 6-10, 10-10, 7-20 ALL	1
7	5015481	BRACKET ASSEMBLY, MOTOR DRIVE MOUNT	1
16	5017026	BRACKET, FILTER LINE, ASSEMBLY	1
17	BA-34676	BOARD, VF MOTOR DRIVE	1
20	CB-35777	CABLE, CAN-FAN, 4 POLE	1
21	CN-3654	CONTACTOR, 40 AMP	1
22	CN-3731	CONTACTOR, 50 AMP	2
26	CR-35762	CONNECTOR, 7 TERMINAL	1
29	EV-28115	ENVELOPE, PRESS ON (NOT SHOWN)	1
30	FI-33225	FILTER LINE 115/250V 50/60HZ	1
39	SC-22273	SCREW, M4x0.7X10MM PAN	4
41	TM-3780	TERMINALS, *CT, SER., 35MM	6
42	TM-3782	TERMINAL, GROUND, 35mm	1
43	TM-3786	TERMINAL, CT, 35mm WALL, PART	3
44	TM-3788	TERMINALS, MARK, L	3
45	TM-3790	TERMINALS, MARK, 1	1
46	TM-3791	TERMINALS, MARK, 2	1
47	TM-3792	TERMINALS, MARK, 3	1
48	TM-33837	JUMPER STRIP	3
60	WS-22294	WASHER, FLAT M4 18-8 S/S	4
62	WS-22300	WASHER, M4 SPLIT LOCK	4
63	RL-34634	UNIVERSAL MOUNTING SOCKET	3

Note: Refer to MN-35949 Rev.2 for part numbers of wiring chassis for previous models

ELECTRICAL CHASSIS – CTP 6-10EB 380-415V (5015976)



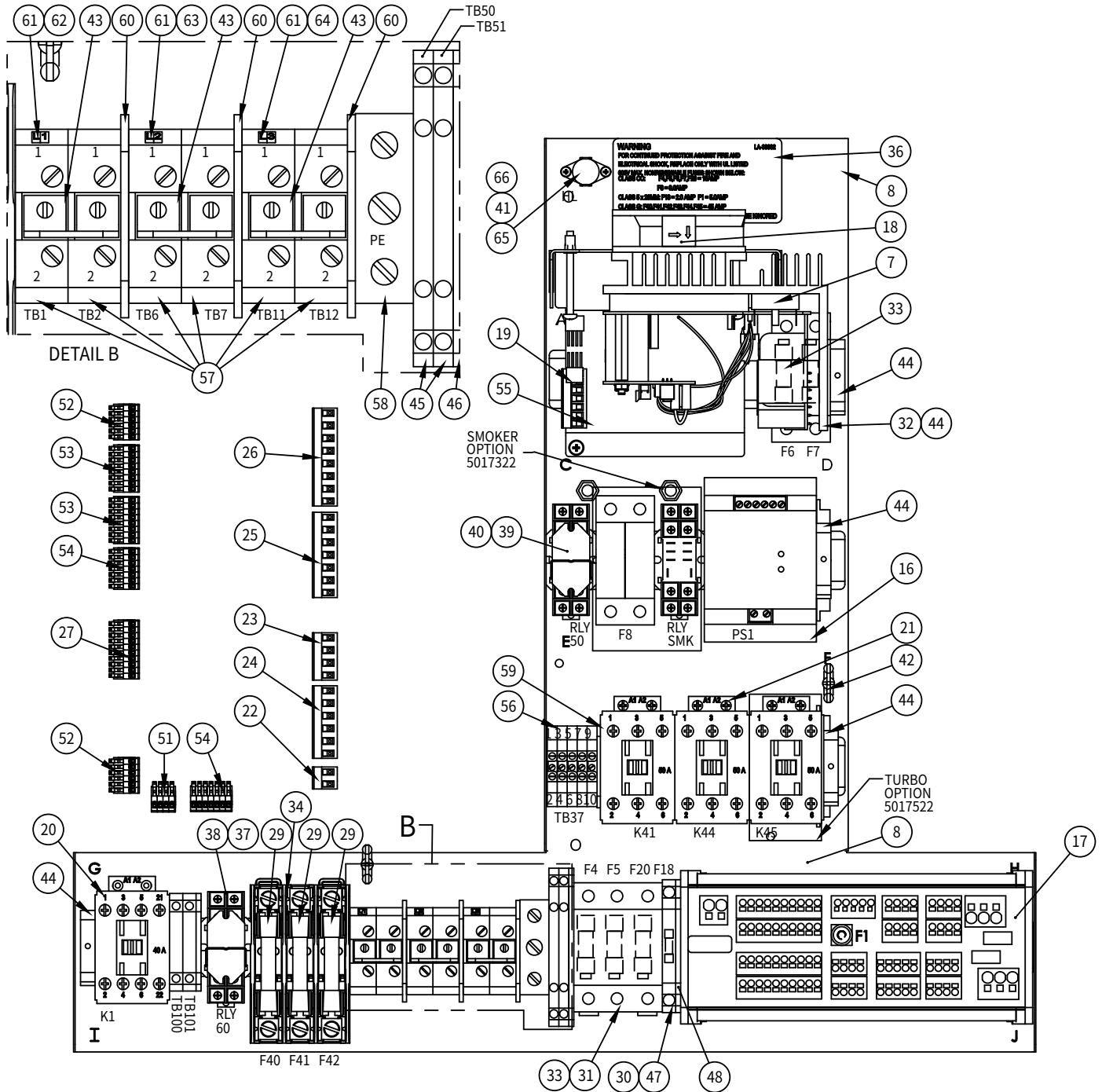
ELECTRICAL CHASSIS – CTP 6-10EB 380-415V (5015976)

* = not shown

ITEM	PART NUMBER	DESCRIPTION	5015976 /QTY.
1	1014554	BRACKET, DIN STOP	2
* 2	5015350	WIRE ASSEMBLY, TBL TOP CTP ALL	1
* 3	5015357	WIRE ASSEMBLY, 6-10, 10-10, 7-20 CTP	1
* 4	5015367	WIRE ASSEMBLY, 6-10 CTP 380-415V	1
* 5	5015371	WIRE ASSEMBLY, 7-20, 10-10 CTP	1
* 6	5015381	WIRE ASSEMBLY, 6-10, 10-10, 7-20 ALL	1
* 7	5015382	WIRE ASSEMBLY, CTC/CTP RELAY	1
8	5015481	BRACKET ASSEMBLY, MOTOR DRIVE MOUNT	1
* 9	5015979	PANEL ASSEMBLY, ELECTRICAL CHASSIS,	1
* 10	5016379	WIRE ASSEMBLY, TBL TOP CLASSIC&	1
* 11	5016435	WIRE ASSEMBLY, TBL TOP CTC/CTP ALL	1
* 12	5016436	WIRE ASSEMBLY, TBL TOP CTC/CTP ALL	1
* 13	5016629	WIRE ASSEMBLY, CONTROL BOARD, CTP	1
* 14	5016750	WIRE ASSEMBLY, 380V CTC/CTP	1
* 15	5016753	WIRE ASSEMBLY, TABLETOP ALL VOLTS	1
16	5016795	WIRE ASSEMBLY, 6-10, 10-10	1
17	5017026	BRACKET, FILTER LINE, ASSEMBLY	1
18	BA-34676	BOARD, VF MOTOR DRIVE	1
19	BA-35693	BOARD, POWER SUPPLY 10-15VDC 8A	1
20	BA-37262	BOARD ASSEMBLY, MODULAR TERMINAL	1
21	CB-35777	CABLE, CAN-FAN, 4 POLE	1
22	CN-3654	CONTACTOR, 40 AMP	1
23	CN-3731	CONTACTOR, 50 AMP	3
24	CR-35759	CONNECTOR, 2 TERMINAL	1
25	CR-35760	CONNECTOR, 4 TERMINAL	1
26	CR-35761	CONNECTOR, 6 TERMINAL	1
27	CR-35762	CONNECTOR, 7 TERMINAL	1
28	CR-35763	CONNECTOR, 8 TERMINAL	1
29	CR-35765	TERMINAL, 3.5MM PLUGGABLE, 10	1
30	EV-28115	ENVELOPE, PRESS ON (NOT SHOWN)	1
31	FI-33225	FILTER LINE 115/250V 50/60HZ	1
32	FI-33990	EMI FILTER	4
33	FU-33184	5X20MM, SLOW BLO, 2 AMP, 250V	1
34	FU-33444	FUSE, DO2 NEOZED BASE & COVER	3
35	FU-33445	FUSE, DO2 NEOZED SCREW CAP	3
36	FU-33451	FUSE, TERMINAL, 6.3AMP	4
37	FU-34749	FUSE, HOLDER COVER	1
38	FU-34921	FUSE, 15 AMP, 250V, 5mm X 20mm	3
39	FU-35497	FUSE, DO2 NEOZED GAUGE RING 50A	3
40	FU-35850	FUSE, DO2 NEOZED 50A, WHITE	3
41	FU-36668	5X20MM, SLOW BLO, 5AMP, 250V	1
42	RL-33930	RELAY, 12VDC, 15A, 8 PINS	2
43	RL-34634	UNIVERSAL MOUNTING SOCKET	2
44	RL-37266	SPRING, HOLD DOWN,	2
45	SC-22268	SCREW, M3x0.5X8MM PAN	2
46	SC-22273	SCREW, M4x0.7X10MM PAN	4
47	TI-35719	TIE, TWIST LOCK 0.5" STANDOFF	2
48	TM-33479	TERMINALS, MARK, N	1
49	TM-33837	JUMPER STRIP	4
50	TM-34305	TERMINAL, SCREWLESS END	1
51	TM-34306	TERMINAL, GROUND, 6mm, SPRING	2
52	TM-34309	TERMINAL, END SECTION, SPRING	1
53	TM-34310	JUMPER BAR	1
54	TM-34437	PARTITION WALL, 1 POLE, FOR	1
55	TM-34438	TERMINAL, SPRING CLAMP, 1 POLE	2
56	TM-34881	TERMINAL, 3.5MM PLUGGABLE, 4 POLE	1
57	TM-34884	TERMINAL, 3.5MM PLUGGABLE, 6 POLE	2
58	TM-34889	TERMINAL, 3.5MM PLUGGABLE, 8 POLE	2
59	TM-34904	TERMINAL, 3-POLE GREEN, GMVSTBR	1
60	TM-34931	TERMINAL, 3.5MM PLUGGABLE, 7 POLE	2
61	TM-3780	TERMINALS, *CT, SER., 35MM	8
62	TM-3782	TERMINAL, GROUND, 35mm	1
63	TM-3786	TERMINAL, CT, 35mm WALL, PART	4
64	TM-3788	TERMINALS, MARK, L	3
65	TM-3790	TERMINALS, MARK, 1	1
66	TM-3791	TERMINALS, MARK, 2	1
67	TM-3792	TERMINALS, MARK, 3	1
68	TT-36119	THERMOSTAT, BI-METAL, 100 DEG CLOSE	1
69	WS-22294	WASHER, FLAT M4 18-8 S/S	4
70	WS-22299	WASHER, M3 SPLIT LOCK	2
71	WS-22300	WASHER, M4 SPLIT LOCK	4

Note: Refer to MN-35949 Rev.2 for part numbers of wiring chassis for previous models

ELECTRICAL CHASSIS – CTP 6-10EB 440-480V (5015978)

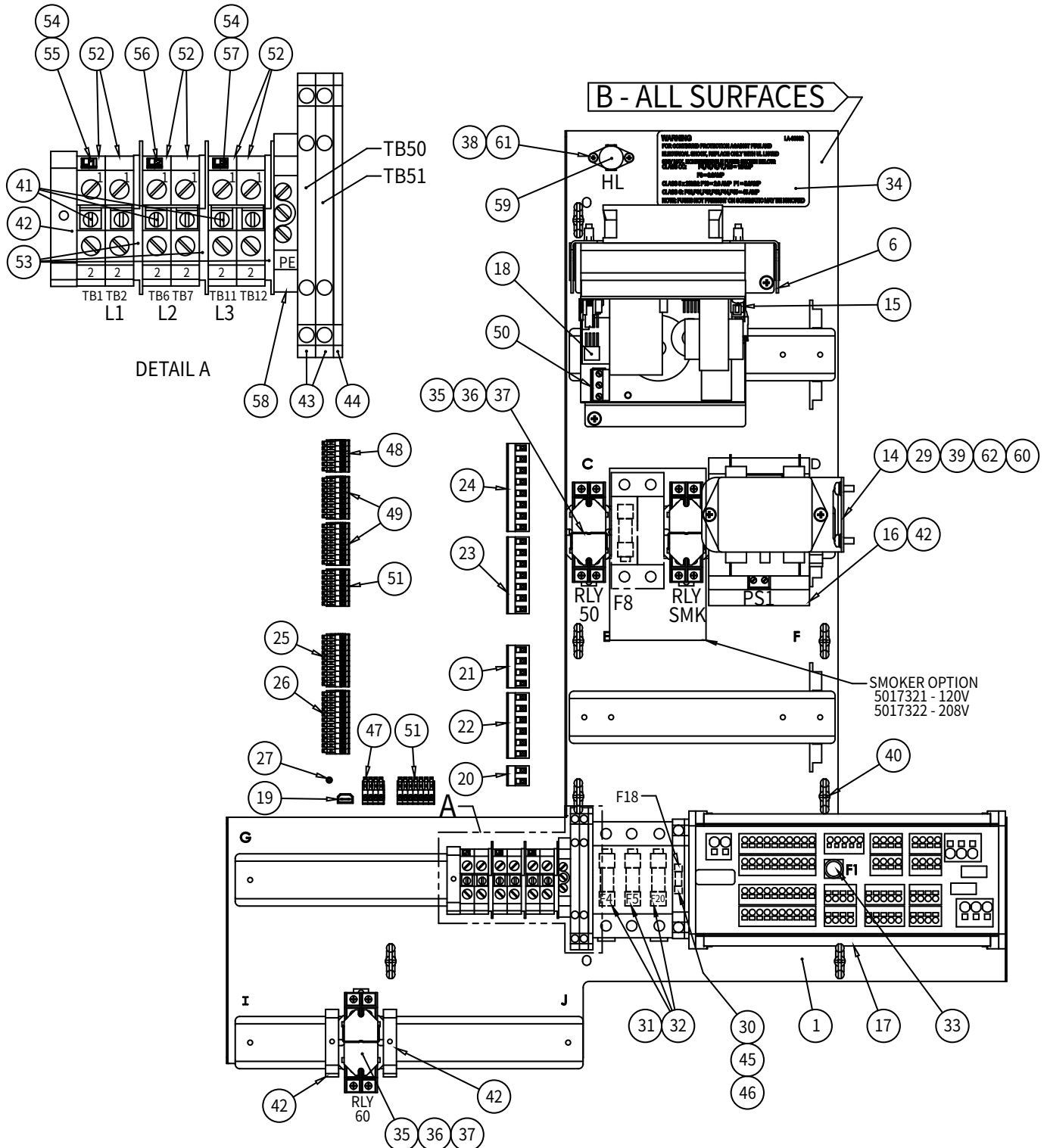


ELECTRICAL CHASSIS – CTP 6-10EB 440-480V (5015978)

ITEM	PART NUMBER	DESCRIPTION	5015978 /QTY
1	5015351	WIRE ASM, 6-10, 10-10, 10-20, 7-20	1
2	5015357	WIRE ASSEMBLY, 6-10, 10-10, 7-20 CTP	1
3	5015358	WIRE ASSEMBLY, 440V POWER CVRSN	1
4	5015360	WIRE ASSEMBLY, MDM EI 440V TOUCH	1
5	5015381	WIRE ASSEMBLY, 6-10, 10-10, 7-20 ALL	1
6	5015382	WIRE ASSEMBLY, CTC/CTP RELAY	1
7	5015481	BRACKET ASSEMBLY, MOTOR DRIVE MOUNT	1
8	5015979	PANEL ASSEMBLY, ELECTRICAL CHASSIS,	1
9	5016379	WIRE ASSEMBLY, TBL TOP CLASSIC&	1
10	5016435	WIRE ASSEMBLY, TBL TOP CTC/CTP ALL	1
11	5016436	WIRE ASSEMBLY, TBL TOP CTC/CTP ALL	1
12	5016513	WIRE ASSEMBLY, 6-10 440-480V CTC/	1
13	5016640	WIRE ASSEMBLY, 6.10, 10.10, 7.14, 10.18 ES/ESI/ESG	1
14	5016753	WIRE ASSEMBLY, TABLETOP ALL VOLTS	1
15	5016795	WIRE ASSEMBLY, 6-10, 10-10	1
16	BA-35693	BOARD, POWER SUPPLY 10-15VDC 8A	1
17	BA-37262	BOARD ASSEMBLY, MODULAR TERMINAL	1
18	BA-38644	BOARD, VFD, 440V 3-PHASE	1
19	CB-35777	CABLE, CAN-FAN, 4 POLE	1
20	CN-3654	CONTACTOR, 40 AMP	1
21	CN-3731	CONTACTOR, 50 AMP	2
22	CR-35759	CONNECTOR, 2 TERMINAL	1
23	CR-35760	CONNECTOR, 4 TERMINAL	1
24	CR-35761	CONNECTOR, 6 TERMINAL	1
25	CR-35762	CONNECTOR, 7 TERMINAL	1
26	CR-35763	CONNECTOR, 8 TERMINAL	1
27	CR-35765	TERMINAL, 3.5MM PLUGGABLE, 10	1
28	EV-28115	ENVELOPE, PRESS ON (NOT SHOWN)	1
29	FU-33040	45A, MP, CLASS G, 480V MED. TIME-LAG	3
30	FU-33184	5X20MM, SLOW BLO, 2 AMP, 250V	1
31	FU-34770	FUSE HOLDER, 3 BANK	1
32	FU-34771	FUSE HOLDER, 2 BANK	1
33	FU-34772	FUSE, 15 AMP	5
34	FU-35728	FUSE HOLDER, 60A 480V CLASS G	1
35	FU-36668	5X20MM, SLOW BLO, 5AMP, 250V	1
36	LA-38832	LABEL, FUSE WARNING	1
37	RL-33930	RELAY, 12VDC, 15A, 8 PINS	1
38	RL-34634	UNIVERSAL MOUNTING SOCKET	2
39	RL-36100	RELAY, DPDT, 12VDC	1
40	RL-37266	SPRING, HOLD DOWN,	2
41	SC-22268	SCREW, M3x0.5X8MM PAN	2
42	TI-35719	TIE, TWIST LOCK 0.5" STANDOFF	2
43	TM-33837	JUMPER STRIP	3
44	TM-34305	TERMINAL, SCREWLESS END	5
45	TM-34306	TERMINAL, GROUND, 6mm, SPRING	2
46	TM-34309	TERMINAL, END SECTION, SPRING	1
47	TM-34311	TERMINAL, FUSE HOLDER, 8mm	1
48	TM-34315	TERMINAL, END PLATE	1
49	TM-34437	PARTITION WALL, 1 POLE, FOR	1
50	TM-34438	TERMINAL, SPRING CLAMP, 1 POLE	2
51	TM-34881	TERMINAL, 3.5MM PLUGGABLE, 4 POLE	1
52	TM-34884	TERMINAL, 3.5MM PLUGGABLE, 6 POLE	2
53	TM-34889	TERMINAL, 3.5MM PLUGGABLE, 8 POLE	2
54	TM-34931	TERMINAL, 3.5MM PLUGGABLE, 7 POLE	2
55	TM-34937	TERMINAL, 7-POLE GREEN, MSTB	1
56	TM-3778	TERMINALS, *CT, SERIES, 4MM	5
57	TM-3780	TERMINALS, *CT, SER., 35MM	6
58	TM-3782	TERMINAL, GROUND, 35mm	1
59	TM-3783	TERMINAL, WALL, 4MM	1
60	TM-3786	TERMINAL, CT, 35mm WALL, PART	3
61	TM-3788	TERMINALS, MARK, L	3
62	TM-3790	TERMINALS, MARK, 1	1
63	TM-3791	TERMINALS, MARK, 2	1
64	TM-3792	TERMINALS, MARK, 3	1
65	TT-36119	THERMOSTAT, BI-METAL, 100 DEG CLOSE	1
66	WS-22299	WASHER, M3 SPLIT LOCK	2

Note: Refer to MN-35949 Rev.2 for part numbers of wiring chassis for previous models

ELECTRICAL CHASSIS – CTP 10-10G/7-20G 120-208V (5015126)



ELECTRICAL CHASSIS – CTP 10-10G/7-20G 120-208V (5015126)

CORE CHASSIS PARTS, REFERENCE 5020519 (ADD THIS ITEM TO 5015126)

* = not shown
** = non-parametric BOM quantity

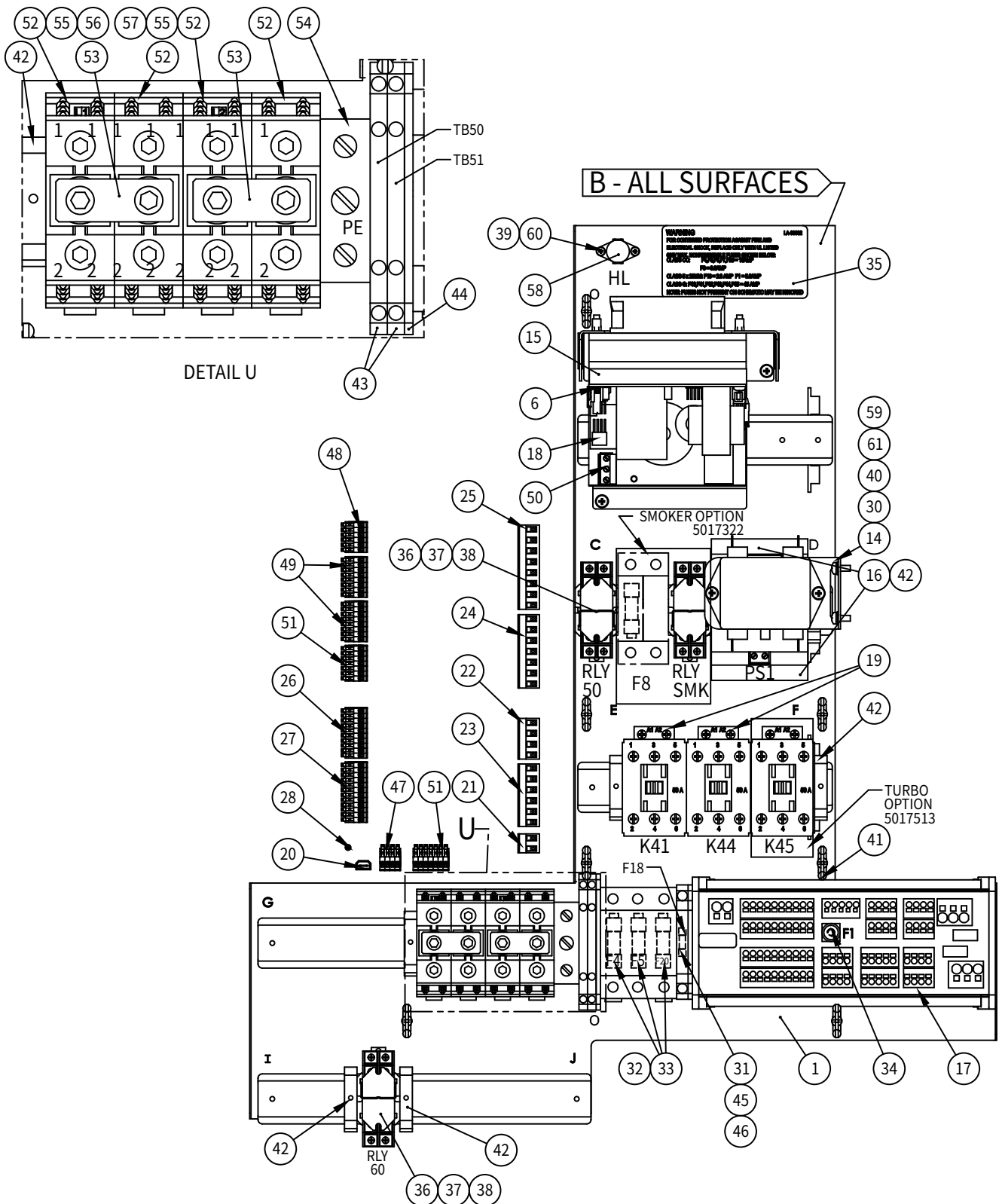
ITEM	PART NUMBER	DESCRIPTION	5015126 /QTY.	
1	5014970	PANEL ASSEMBLY , ELEC CHASSIS	1	
*	2	5015350	WIRE ASSEMBLY, TBL TOP CTP ALL	1
*	5	5015382	WIRE ASSEMBLY, CTC/CTP RELAY	1
*	7	5016379	WIRE ASSEMBLY, TBL TOP CLASSIC&	1
*	8	5016435	WIRE ASSEMBLY, TBL TOP CTC/CTP ALL	1
*	9	5016436	WIRE ASSEMBLY, TBL TOP CTC/CTP ALL	1
*	10	5016629	WIRE ASSEMBLY, CONTROL BOARD, CTP	1
*	12	5016753	WIRE ASSEMBLY, TABLETOP ALL VOLTS	1
*	13	5016795	WIRE ASSEMBLY, 6-10, 10-10	1
	16	BA-35693	BOARD, POWER SUPPLY 10-15VDC 8A	1
	17	BA-37262	BOARD ASSEMBLY, MODULAR TERMINAL	1
	20	CR-35759	CONNECTOR, 2 TERMINAL	1
	21	CR-35760	CONNECTOR, 4 TERMINAL	1
	22	CR-35761	CONNECTOR, 6 TERMINAL	1
	24	CR-35763	CONNECTOR, 8 TERMINAL	1
	25	CR-35765	TERMINAL, 3.5MM PLUGGABLE, 10	1
	30	FU-33184	5X20MM, SLOW BLO, 2 AMP, 250V	1
	31	FU-34770	FUSE HOLDER, 3 BANK	1
	32	FU-34772	FUSE, 15 AMP	3
	34	LA-38832	LABEL, FUSE WARNING	1
	35	RL-33930	RELAY, POWER, SPDT, 15A, 12V.DC, AR-7E	2
	36	RL-34634	UNIVERSAL MOUNTING SOCKET	2
	37	RL-37266	SPRING, HOLD DOWN,	2
	38	SC-22268	SCREW, M3x0.5X8MM PAN	2
	40	TI-35719	TIE, TWIST LOCK 0.5" STANDOFF	7
	42	TM-34305	TERMINAL, SCREWLESS END	4
	43	TM-34306	TERMINAL, GROUND, 6mm, SPRING	2
	44	TM-34309	TERMINAL, END SECTION, SPRING	1
	45	TM-34311	TERMINAL, FUSE HOLDER, 8mm	1
	46	TM-34315	TERMINAL, END PLATE	1
	47	TM-34881	TERMINAL, 3.5MM PLUGGABLE, 4 POLE	1
	48	TM-34884	TERMINAL, 3.5MM PLUGGABLE, 6 POLE	1
	49	TM-34889	TERMINAL, 3.5MM PLUGGABLE, 8 POLE	2
	50	TM-34904	TERMINAL, 3-POLE GREEN, GMVSTBR	1
	59	TT-36119	THERMOSTAT, BI-METAL, 100 DEG CLOSE	1
	61	WS-22299	WASHER, M3 SPLIT LOCK	2

REMAINING PARTS TO BUILD CHASSIS 5015126

ITEM	PART NUMBER	DESCRIPTION	5015126 /QTY.	
	6	5015481	BRACKET ASSEMBLY, MOTOR DRIVE MOUNT	1
*	8	5015380	WIRE ASSEMBLY, ALL ESG, ALL VOLTAGE	1
*	9	5015355	WIRE ASSEMBLY, 7-20, 10-20 CTP	1
*	11	5016749	WIRE ASSEMBLY, TABLE TOP 208V,	1
	14	5017026	BRACKET, FILTER LINE, ASSEMBLY	1
	15	BA-34676	BOARD, VF MOTOR DRIVE	1
	18	CB-35777	CABLE, CAN-FAN, 4 POLE	1
	19	CR-34639	CONNECTOR, QUICK DISCONNECT	1
	23	CR-35762	CONNECTOR, 7 TERMINAL	1
	26	CR-35766	TERMINAL, 3.5MM PLUGGABLE, 12	1
	27	CR-36843	CONNECTOR, INSULATED FERRULE H1, 5/14D SW	1
*	28	EV-28115	ENVELOPE, PRESS ON (NOT SHOWN)	1
	29	FI-33225	FILTER LINE 115/250V 50/60HZ	1
	33	FU-36668	5X20MM, SLOW BLO, 5AMP, 250V	1
	39	SC-22273	SCREW, M4x0.7X10MM PAN	4
	41	TM-33675	JUMPER STRIP	3
	51	TM-34931	TERMINAL, 3.5MM PLUGGABLE, 7 POLE	2
	52	TM-3779	TERMINAL BLOCK	6
	53	TM-3785	TERMINALS, *CT, WALL, PART., 16MM	3
	54	TM-3788	TERMINALS, MARK, L	3
	55	TM-3790	TERMINALS, MARK, 1	1
	56	TM-3791	TERMINALS, MARK, 2	1
	57	TM-3792	TERMINALS, MARK, 3	1
	58	TM-3932	TERMINAL, GROUND	1
	60	WS-22294	WASHER, FLAT M4 18-8 S/S	4
	62	WS-22300	WASHER, M4 SPLIT LOCK	4

Note: Refer to MN-35949 Rev.2 for part numbers of wiring chassis for previous models

ELECTRICAL CHASSIS – CTP 10-10E/7-20E 240V 1PH (5016483)



ELECTRICAL CHASSIS – CTP 10-10E/7-20E 240V 1P_H (5016483)

CORE CHASSIS PARTS, REFERENCE 5020519 (ADD 5020519 TO 5016483 ITEM)

* = not shown
** = non-parametric BOM quantity

ITEM	PART NUMBER	DESCRIPTION	5016483 /QTY.
1	5014970	PANEL ASSEMBLY, ELEC CHASSIS	1
2	5015350	WIRE ASSEMBLY, TBL TOP CTP ALL	1
5	5015382	WIRE ASSEMBLY, CTC/CTP RELAY	1
7	5016379	WIRE ASSEMBLY, TBL TOP CLASSIC&	1
8	5016435	WIRE ASSEMBLY, TBL TOP CTC/CTP ALL	1
9	5016436	WIRE ASSEMBLY, TBL TOP CTC/CTP ALL	1
10	5016629	WIRE ASSEMBLY, CONTROL BOARD, CTP	1
12	5016753	WIRE ASSEMBLY, TABLETOP ALL VOLTS	1
13	5016795	WIRE ASSEMBLY, 6-10, 10-10	1
17	BA-37262	BOARD ASSEMBLY, MODULAR TERMINAL	1
21	CR-35759	CONNECTOR, 2 TERMINAL	1
22	CR-35760	CONNECTOR, 4 TERMINAL	1
23	CR-35761	CONNECTOR, 6 TERMINAL	1
25	CR-35763	CONNECTOR, 8 TERMINAL	1
26	CR-35765	TERMINAL, 3.5MM PLUGGABLE, 10	1
31	FU-33184	5X20MM, SLOW BLO, 2 AMP, 250V	1
32	FU-34770	FUSE HOLDER, 3 BANK	1
33	FU-34772	FUSE, 15 AMP	3
35	LA-38832	LABEL, FUSE WARNING	1
36	RL-33930	RELAY, 12VDC, 15A, 8 PINS	2
37	RL-34634	UNIVERSAL MOUNTING SOCKET	2
38	RL-37266	SPRING, HOLD DOWN,	2
39	SC-22268	SCREW, M3x0.5X8MM PAN	2
41	TI-35719	TIE, TWIST LOCK 0.5" STANDOFF	7
42	TM-34305	TERMINAL, SCREWLESS END	5**
43	TM-34306	TERMINAL, GROUND, 6mm, SPRING	2
44	TM-34309	TERMINAL, END SECTION, SPRING	1
45	TM-34311	TERMINAL, FUSE HOLDER, 8mm	1
46	TM-34315	TERMINAL, END PLATE	1
47	TM-34881	TERMINAL, 3.5MM PLUGGABLE, 4 POLE	1
48	TM-34884	TERMINAL, 3.5MM PLUGGABLE, 6 POLE	1
49	TM-34889	TERMINAL, 3.5MM PLUGGABLE, 8 POLE	2
50	TM-34904	TERMINAL, 3-POLE GREEN, GMVSTBR	1
51	TM-34931	TERMINAL, 3.5MM PLUGGABLE, 7 POLE	2
58	TT-36119	THERMOSTAT, BI-METAL, 100 DEG CLOSE	1
60	WS-22299	WASHER, M3 SPLIT LOCK	2

REMAINING PARTS TO BUILD CHASSIS 5016483

ITEM	PART NUMBER	DESCRIPTION	5016483 /QTY.
3	5015357	WIRE ASSEMBLY, 6-10, 10-10, 7-20 CTP	1
4	5015375	WIRE ASSEMBLY, 6-10, 7-20, 10-10	1
6	5015481	BRACKET ASSEMBLY, MOTOR DRIVE MOUNT	1
11	5016749	WIRE ASSEMBLY, TABLE TOP 208V,	1
14	5017026	BRACKET, FILTER LINE, ASSEMBLY	1
15	BA-34676	BOARD, VF MOTOR DRIVE	1
16	BA-35693	BOARD, POWER SUPPLY 10-15VDC 8A	1
18	CB-35777	CABLE, CAN-FAN, 4 POLE	1
19	CN-3731	CONTACTOR, 50 AMP	2
20	CR-34639	CONNECTOR, QUICK DISCONNECT	1
24	CR-35762	CONNECTOR, 7 TERMINAL	1
26	CR-35765	TERMINAL, 3.5MM PLUGGABLE, 10	1
27	CR-35766	TERMINAL, 3.5MM PLUGGABLE, 12	1
28	CR-36843	CONNECTOR, INSULATED FERRULE H1, 5/14D SW	1
29	EV-28115	ENVELOPE, PRESS ON (NOT SHOWN)	1
30	FI-33225	FILTER LINE 115/250V 50/60HZ	1
34	FU-36668	5X20MM, SLOW BLO, 5AMP, 250V	1
40	SC-22273	SCREW, M4x0.7X10MM PAN	4
42	TM-34305	TERMINAL, SCREWLESS END	1**
52	TM-36351	TERMINAL FEED THROUGH BLOCK	4
53	TM-36352	CROSS CONNECTOR WITH SCREWS	2
54	TM-3782	TERMINAL, GROUND, 35mm	1
55	TM-3788	TERMINALS, MARK, L	2
56	TM-3790	TERMINALS, MARK, 1	1
57	TM-3791	TERMINALS, MARK, 2	1
59	WS-22294	WASHER, FLAT M4 18-8 S/S	4
61	WS-22300	WASHER, M4 SPLIT LOCK	4

Note: Refer to MN-35949 Rev.2 for part numbers of wiring chassis for previous models

ELECTRICAL CHASSIS – CTP 10-10E/7-20E 240V 3PH (5015127)

CORE CHASSIS PARTS, REFERENCE 5020519 (ADD 5020519 TO 5015127 ITEM)

* = not shown
** = non-parametric BOM quantity

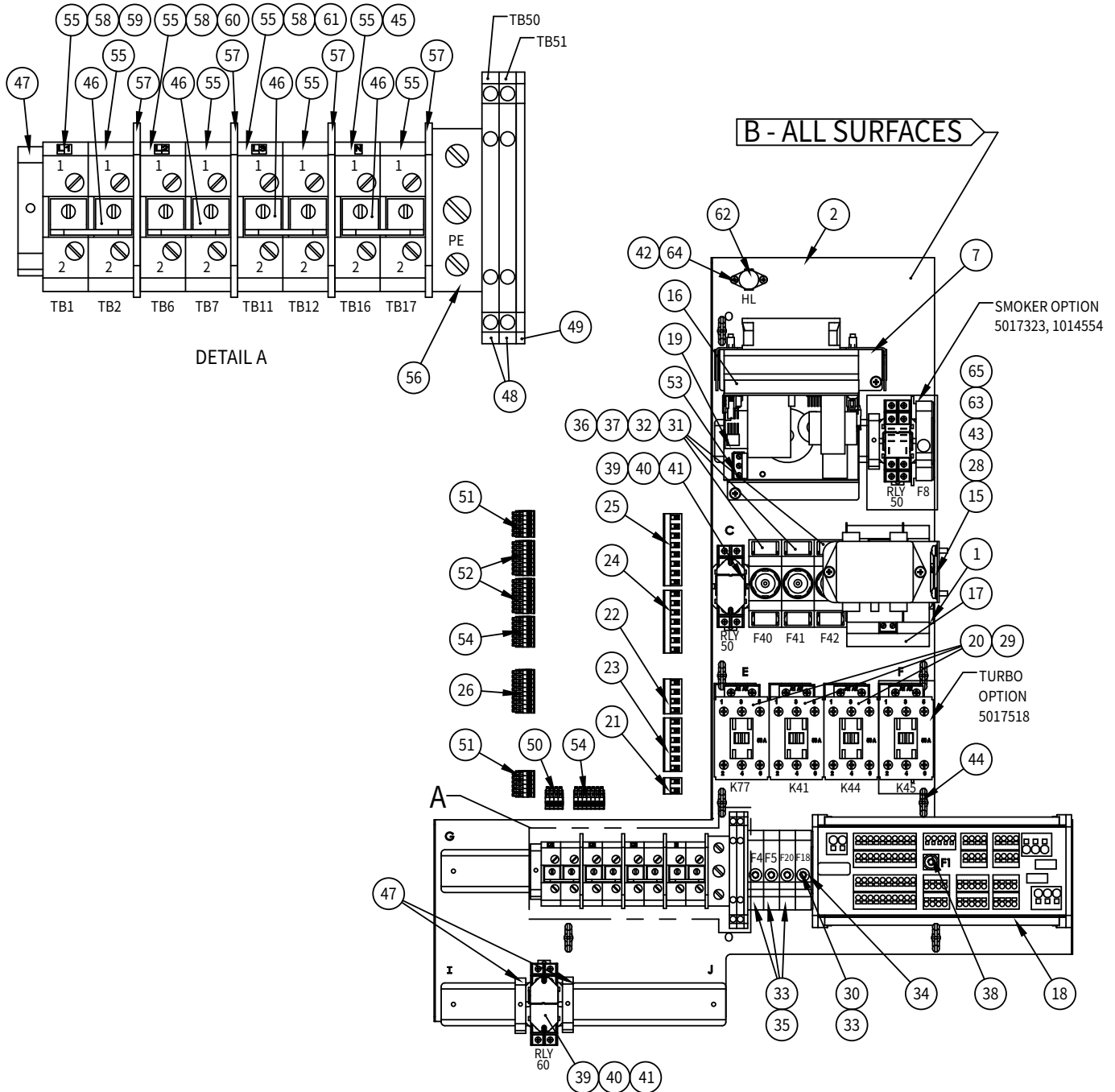
ITEM	PART NUMBER	DESCRIPTION	5015127 /QTY.
1	5014970	PANEL ASSEMBLY , ELEC CHASSIS	1
2	5015350	WIRE ASSEMBLY, TBL TOP CTP ALL	1
7	5016379	WIRE ASSEMBLY, TBL TOP CLASSIC&	1
8	5016435	WIRE ASSEMBLY, TBL TOP CTC/CTP ALL	1
9	5016436	WIRE ASSEMBLY, TBL TOP CTC/CTP ALL	1
10	5016629	WIRE ASSEMBLY, CONTROL BOARD, CTP	1
12	5016753	WIRE ASSEMBLY, TABLETOP ALL VOLTS	1
13	5016795	WIRE ASSEMBLY, 6-10, 10-10	1
16	BA-35693	BOARD, POWER SUPPLY 10-15VDC 8A	1
17	BA-37262	BOARD ASSEMBLY, MODULAR TERMINAL	1
21	CR-35759	CONNECTOR, 2 TERMINAL	1
22	CR-35760	CONNECTOR, 4 TERMINAL	1
23	CR-35761	CONNECTOR, 6 TERMINAL	1
25	CR-35763	CONNECTOR, 8 TERMINAL	1
26	CR-35765	TERMINAL, 3.5MM PLUGGABLE, 10	1
30	FU-33184	5X20MM, SLOW BLO, 2 AMP, 250V	1
31	FU-34770	FUSE HOLDER, 3 BANK	1
32	FU-34772	FUSE, 15 AMP	3
34	LA-38832	LABEL, FUSE WARNING	1
35	RL-33930	RELAY, 12VDC, 15A, 8 PINS	2
36	RL-34634	UNIVERSAL MOUNTING SOCKET	2
37	RL-37266	SPRING, HOLD DOWN,	2
38	SC-22268	SCREW, M3x0.5X8MM PAN	2
40	TI-35719	TIE, TWIST LOCK 0.5" STANDOFF	7
42	TM-34305	TERMINAL, SCREWLESS END	5**
43	TM-34306	TERMINAL, GROUND, 6mm, SPRING	2
44	TM-34309	TERMINAL, END SECTION, SPRING	1
45	TM-34311	TERMINAL, FUSE HOLDER, 8mm	1
46	TM-34315	TERMINAL, END PLATE	1
47	TM-34881	TERMINAL, 3.5MM PLUGGABLE, 4 POLE	1
48	TM-34884	TERMINAL, 3.5MM PLUGGABLE, 6 POLE	1
49	TM-34889	TERMINAL, 3.5MM PLUGGABLE, 8 POLE	2
50	TM-34904	TERMINAL, 3-POLE GREEN, GMVSTBR	1
51	TM-34931	TERMINAL, 3.5MM PLUGGABLE, 7 POLE	2
59	TT-36119	THERMOSTAT, BI-METAL, 100 DEG CLOSE	1
61	WS-22299	WASHER, M3 SPLIT LOCK	2

REMAINING PARTS TO BUILD CHASSIS 5015127

ITEM	PART NUMBER	DESCRIPTION	5015127 /QTY.
3	5015357	WIRE ASSEMBLY, 6-10, 10-10, 7-20 CTP	1
4	5015376	WIRE ASSEMBLY, 6.10, 10.10, 7.14 ESI	1
6	5015481	BRACKET ASSEMBLY, MOTOR DRIVE MOUNT	1
11	5016749	WIRE ASSEMBLY, TABLE TOP 208V,	1
14	5017026	BRACKET, FILTER LINE, ASSEMBLY	1
15	BA-34676	BOARD, VF MOTOR DRIVE	1
18	CB-35777	CABLE, CAN-FAN, 4 POLE	1
19	CN-3731	CONTACTOR, 50 AMP	2
20	CR-34639	CONNECTOR, QUICK DISCONNECT	1
24	CR-35762	CONNECTOR, 7 TERMINAL	1
26	CR-35765	TERMINAL, 3.5MM PLUGGABLE, 10	1
27	CR-36843	CONNECTOR, INSULATED FERRULE H1, 5/14D SW	1
28	EV-28115	ENVELOPE, PRESS ON (NOT SHOWN)	1
29	FI-33225	FILTER LINE 115/250V 50/60HZ	1
33	FU-36668	5X20MM, SLOW BLO, 5AMP, 250V	1
39	SC-22273	SCREW, M4x0.7X10MM PAN	4
41	TM-33837	JUMPER STRIP	3
42	TM-34305	TERMINAL, SCREWLESS END	1**
52	TM-3780	TERMINALS, *CT, SER., 35MM	6
53	TM-3782	TERMINAL, GROUND, 35mm	1
54	TM-3786	TERMINAL, CT, 35mm WALL, PART	3
55	TM-3788	TERMINALS, MARK, L	3
56	TM-3790	TERMINALS, MARK, 1	1
57	TM-3791	TERMINALS, MARK, 2	1
58	TM-3792	TERMINALS, MARK, 3	1
60	WS-22294	WASHER, FLAT M4 18-8 S/S	4
62	WS-22300	WASHER, M4 SPLIT LOCK	4

Note: Refer to MN-35949 Rev.2 for part numbers of wiring chassis for previous models

ELECTRICAL CHASSIS – CTP 10-10E/7-20E 380V (5015903)



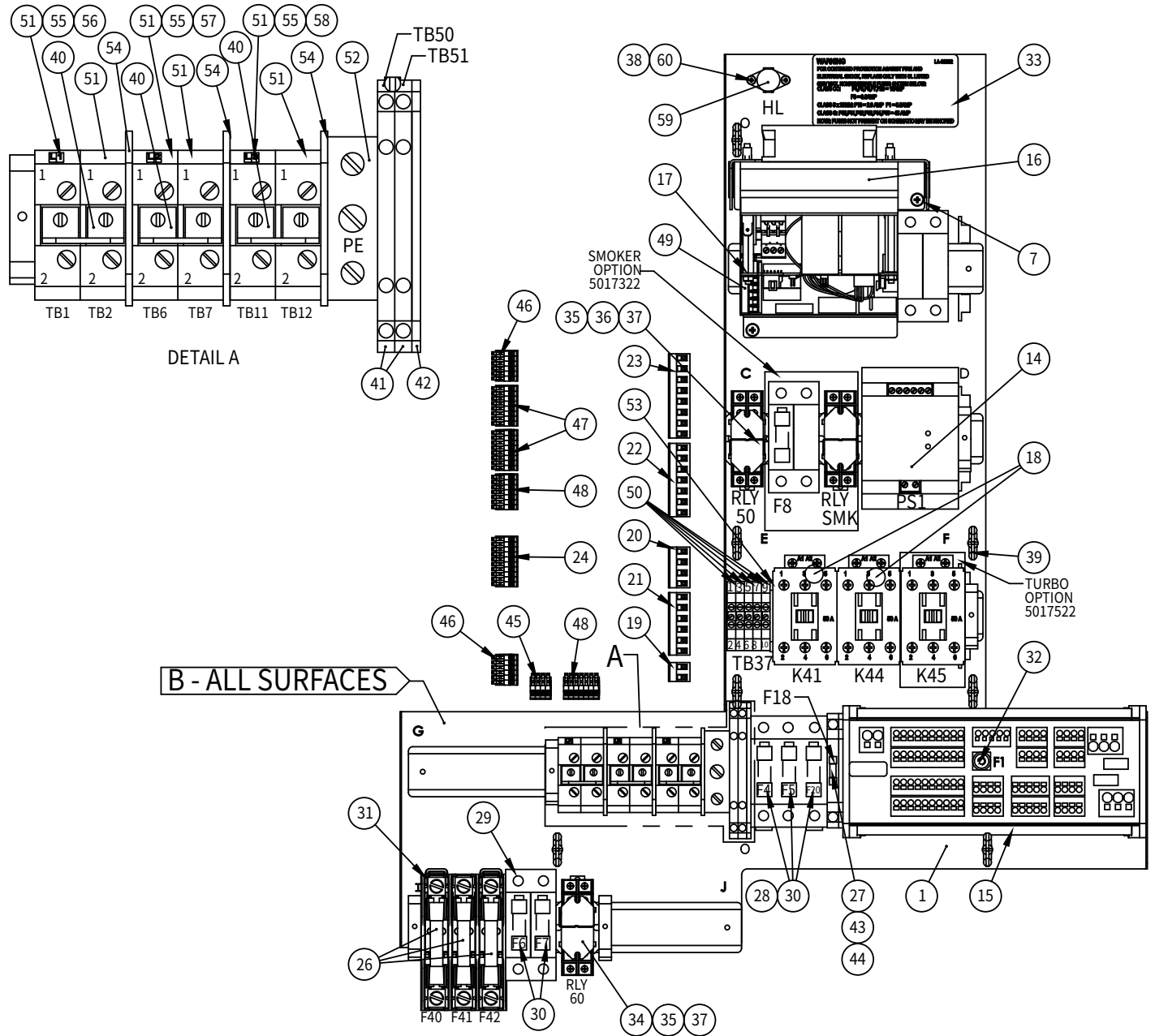
ELECTRICAL CHASSIS – CTP 10-10E/7-20E 380V (5015903)

* = not shown

ITEM	PART NUMBER	DESCRIPTION	5015903/QTY.	
1	1014554	BRACKET, DIN STOP	2	
2	5014970	PANEL ASSEMBLY , ELEC CHASSIS	1	
*	3	5015350	WIRE ASSEMBLY, TBL TOP CTP ALL	1
*	4	5015357	WIRE ASSEMBLY, 6-10, 10-10, 7-20 CTP	1
*	5	5015371	WIRE ASSEMBLY, 7-20, 10-10 CTP	1
*	6	5015382	WIRE ASSEMBLY, CTC/CTP RELAY	1
7	5015481	BRACKET ASSEMBLY, MOTOR DRIVE MOUNT	1	
8	5016379	WIRE ASSEMBLY, TBL TOP CLASSIC&	1	
*	9	5016435	WIRE ASSEMBLY, TBL TOP CTC/CTP ALL	1
*	10	5016436	WIRE ASSEMBLY, TBL TOP CTC/CTP ALL	1
*	11	5016629	WIRE ASSEMBLY, CONTROL BOARD, CTP	1
*	12	5016750	WIRE ASSEMBLY, 380V CTC/CTP	1
*	13	5016753	WIRE ASSEMBLY, TABLETOP ALL VOLTS	1
*	14	5016795	WIRE ASSEMBLY, 6-10, 10-10	1
*	15	5017026	BRACKET, FILTER LINE, ASSEMBLY	1
16	BA-34676	BOARD, VF MOTOR DRIVE	1	
17	BA-35693	BOARD, POWER SUPPLY 10-15VDC 8A	1	
18	BA-37262	BOARD ASSEMBLY, MODULAR TERMINAL	1	
19	CB-35777	CABLE, CAN-FAN, 4 POLE	1	
20	CN-3731	CONTACTOR, 50 AMP	3	
21	CR-35759	CONNECTOR, 2 TERMINAL	1	
22	CR-35760	CONNECTOR, 4 TERMINAL	1	
23	CR-35761	CONNECTOR, 6 TERMINAL	1	
24	CR-35762	CONNECTOR, 7 TERMINAL	1	
25	CR-35763	CONNECTOR, 8 TERMINAL	1	
26	CR-35765	TERMINAL, 3.5MM PLUGGABLE, 10	1	
*	27	EV-28115	ENVELOPE, PRESS ON (NOT SHOWN)	1
28	FI-33225	FILTER LINE 115/250V 50/60HZ	1	
29	FI-33990	EMI FILTER	3	
30	FU-33184	5X20MM, SLOW BLO, 2 AMP, 250V	1	
31	FU-33444	FUSE, DO2 NEOZED BASE & COVER	3	
32	FU-33445	FUSE, DO2 NEOZED SCREW CAP	3	
33	FU-33451	FUSE, TERMINAL, 6.3AMP	4	
34	FU-34749	FUSE, HOLDER COVER	1	
35	FU-34921	FUSE, 15 AMP, 250V, 5mm X 20mm	3	
36	FU-35497	FUSE, DO2 NEOZED GAUGE RING 50A	3	
37	FU-35850	FUSE, DO2 NEOZED 50A, WHITE	3	
38	FU-36668	5X20MM, SLOW BLO, 5AMP, 250V	1	
39	RL-33930	RELAY, 12VDC, 15A, 8 PINS	2	
40	RL-34634	UNIVERSAL MOUNTING SOCKET	2	
41	RL-37266	SPRING, HOLD DOWN,	2	
42	SC-22268	SCREW, M3x0.5X8MM PAN	2	
43	SC-22273	SCREW, M4x0.7X10MM PAN	4	
44	TI-35719	TIE, TWIST LOCK 0.5" STANDOFF	7	
45	TM-33479	TERMINALS, MARK, N	1	
46	TM-33837	JUMPER STRIP	4	
47	TM-34305	TERMINAL, SCREWLESS END	3	
48	TM-34306	TERMINAL, GROUND, 6mm, SPRING	2	
49	TM-34309	TERMINAL, END SECTION, SPRING	1	
50	TM-34881	TERMINAL, 3.5MM PLUGGABLE, 4 POLE	1	
51	TM-34884	TERMINAL, 3.5MM PLUGGABLE, 6 POLE	2	
52	TM-34889	TERMINAL, 3.5MM PLUGGABLE, 8 POLE	2	
53	TM-34904	TERMINAL, 3-POLE GREEN, GMVSTBR	1	
54	TM-34931	TERMINAL, 3.5MM PLUGGABLE, 7 POLE	2	
55	TM-3780	TERMINALS, *CT, SER., 35MM	8	
56	TM-3782	TERMINAL, GROUND, 35mm	1	
57	TM-3786	TERMINAL, CT, 35mm WALL, PART	4	
58	TM-3788	TERMINALS, MARK, L	3	
59	TM-3790	TERMINALS, MARK, 1	1	
60	TM-3791	TERMINALS, MARK, 2	1	
61	TM-3792	TERMINALS, MARK, 3	1	
62	TT-36119	THERMOSTAT, BI-METAL, 100 DEG CLOSE	1	
63	WS-22294	WASHER, FLAT M4 18-8 S/S	4	
64	WS-22299	WASHER, M3 SPLIT LOCK	2	
65	WS-22300	WASHER, M4 SPLIT LOCK	4	

Note: Refer to MN-35949 Rev.2 for part numbers of wiring chassis for previous models

ELECTRICAL CHASSIS – CTP 10-10E/7-20E 440V (5015905)



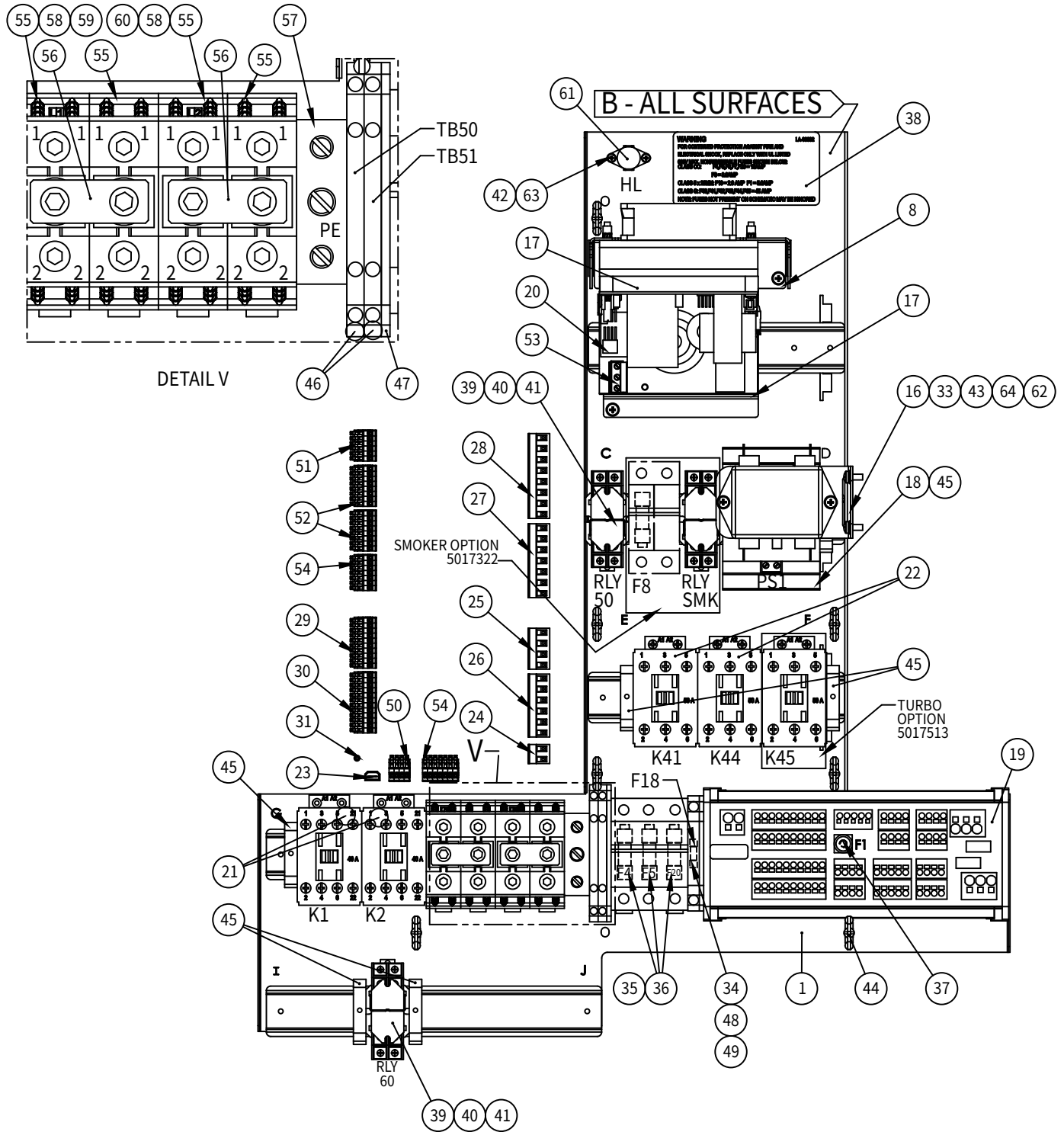
ELECTRICAL CHASSIS – CTP 10-10E/7-20E 440V (5015905)

* = not shown

ITEM	PART NUMBER	DESCRIPTION	5015905/QTY.	
1	5014970	PANEL ASSEMBLY, ELEC CHASSIS	1	
*	2	5015351	WIRE ASM, 6-10, 10-10, 10-20, 7-20	1
*	3	5015357	WIRE ASSEMBLY, 6-10, 10-10, 7-20 CTP	1
*	4	5015358	WIRE ASSEMBLY, 440V POWER CVRSN	1
*	5	5015360	WIRE ASSEMBLY, MDM EI 440V TOUCH	1
*	6	5015382	WIRE ASSEMBLY, CTC/CTP RELAY	1
	7	5015481	BRACKET ASSEMBLY, MOTOR DRIVE MOUNT	1
*	8	5016379	WIRE ASSEMBLY, TBL TOP CLASSIC&	1
*	9	5016435	WIRE ASSEMBLY, TBL TOP CTC/CTP ALL	1
*	10	5016436	WIRE ASSEMBLY, TBL TOP CTC/CTP ALL	1
*	11	5016640	WIRE ASSEMBLY, 6.10, 10.10, 7.14, 10.18 ES/ESI/ESG	1
*	12	5016753	WIRE ASSEMBLY, TABLETOP ALL VOLTS	1
*	13	5016795	WIRE ASSEMBLY, 6-10, 10-10	1
	14	BA-35693	BOARD, POWER SUPPLY 10-15VDC 8A	1
	15	BA-37262	BOARD ASSEMBLY, MODULAR TERMINAL	1
	16	BA-38644	BOARD, VFD, 440V 3-PHASE	1
	17	CB-35777	CABLE, CAN-FAN, 4 POLE	1
	18	CN-3731	CONTACTOR, 50 AMP	2
	19	CR-35759	CONNECTOR, 2 TERMINAL	1
	20	CR-35760	CONNECTOR, 4 TERMINAL	1
	21	CR-35761	CONNECTOR, 6 TERMINAL	1
	22	CR-35762	CONNECTOR, 7 TERMINAL	1
	23	CR-35763	CONNECTOR, 8 TERMINAL	1
	24	CR-35765	TERMINAL, 3.5MM PLUGGABLE, 10	1
*	25	EV-28115	ENVELOPE, PRESS ON (NOT SHOWN)	1
	26	FU-33040	45A, MP, CLASS G, 480V MED. TIME-LAG	3
	27	FU-33184	5X20MM, SLOW BLO, 2 AMP, 250V	1
	28	FU-34770	FUSE HOLDER, 3 BANK	1
	29	FU-34771	FUSE HOLDER, 2 BANK	2
	30	FU-34772	FUSE, 15 AMP	5
	31	FU-35728	FUSE HOLDER, 60A 480V CLASS G	1
	32	FU-36668	5X20MM, SLOW BLO, 5AMP, 250V	1
	33	LA-38832	LABEL, FUSE WARNING	1
	34	RL-33930	RELAY, 12VDC, 15A, 8 PINS	1
	35	RL-34634	UNIVERSAL MOUNTING SOCKET	2
	36	RL-36100	RELAY, DPDT, 12VDC	1
	37	RL-37266	SPRING, HOLD DOWN,	2
	38	SC-22268	SCREW, M3x0.5X8MM PAN	2
	39	TI-35719	TIE, TWIST LOCK 0.5" STANDOFF	7
	40	TM-33837	JUMPER STRIP	3
	41	TM-34306	TERMINAL, GROUND, 6mm, SPRING	2
	42	TM-34309	TERMINAL, END SECTION, SPRING	1
	43	TM-34311	TERMINAL, FUSE HOLDER, 8mm	1
	44	TM-34315	TERMINAL, END PLATE	1
	45	TM-34881	TERMINAL, 3.5MM PLUGGABLE, 4 POLE	1
	46	TM-34884	TERMINAL, 3.5MM PLUGGABLE, 6 POLE	2
	47	TM-34889	TERMINAL, 3.5MM PLUGGABLE, 8 POLE	2
	48	TM-34931	TERMINAL, 3.5MM PLUGGABLE, 7 POLE	2
	49	TM-34937	TERMINAL, 7-POLE GREEN, MSTB	1
	50	TM-3778	TERMINALS, *CT, SERIES, 4MM	5
	51	TM-3780	TERMINALS, *CT, SER., 35MM	6
	52	TM-3782	TERMINAL, GROUND, 35mm	1
	53	TM-3783	TERMINAL, WALL, 4MM	1
	54	TM-3786	TERMINAL, CT, 35mm WALL, PART	3
	55	TM-3788	TERMINALS, MARK, L	3
	56	TM-3790	TERMINALS, MARK, 1	1
	57	TM-3791	TERMINALS, MARK, 2	1
	58	TM-3792	TERMINALS, MARK, 3	1
	59	TT-36119	THERMOSTAT, BI-METAL, 100 DEG CLOSE	1
	60	WS-22299	WASHER, M3 SPLIT LOCK	2
	61	TM-34305	TERMINAL, SCREWLESS END	5

Note: Refer to MN-35949 Rev.2 for part numbers of wiring chassis for previous models

ELECTRICAL CHASSIS – CTP 10-10EB/7-20EB 240V 1P_H (5016484)



ELECTRICAL CHASSIS – CTP 10-10EB/7-20EB 240V 1P_H (5016484)

CORE CHASSIS PARTS, REFERENCE 5020519 (ADD 5020519 TO 5016484 ITEM)

* = not shown
** = non-parametric BOM quantity

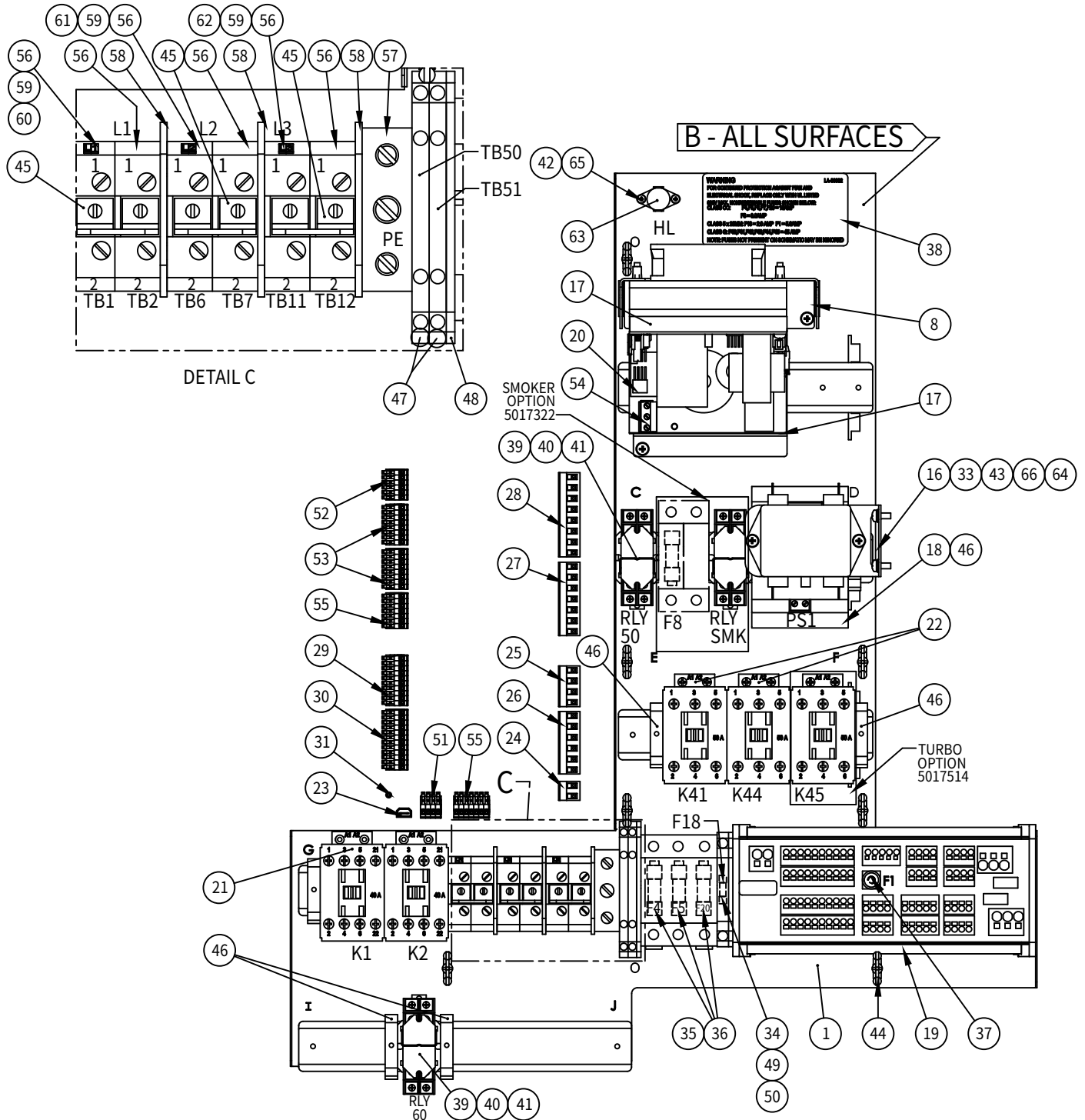
ITEM	PART NUMBER	DESCRIPTION	5016484 /QTY.
1	5014970	PANEL ASSEMBLY, ELEC CHASSIS	1
2	5015350	WIRE ASSEMBLY, TBL TOP CTP ALL	1
7	5015382	WIRE ASSEMBLY, CTC/CTP RELAY	1
9	5016379	WIRE ASSEMBLY, TBL TOP CLASSIC&	1
10	5016435	WIRE ASSEMBLY, TBL TOP CTC/CTP ALL	1
11	5016436	WIRE ASSEMBLY, TBL TOP CTC/CTP ALL	1
12	5016629	WIRE ASSEMBLY, CONTROL BOARD, CTP	1
14	5016753	WIRE ASSEMBLY, TABLETOP ALL VOLTS	1
15	5016795	WIRE ASSEMBLY, 6-10, 10-10	1
18	BA-35693	BOARD, POWER SUPPLY 10-15VDC 8A	1
19	BA-37262	BOARD ASSEMBLY, MODULAR TERMINAL	1
24	CR-35759	CONNECTOR, 2 TERMINAL	1
25	CR-35760	CONNECTOR, 4 TERMINAL	1
26	CR-35761	CONNECTOR, 6 TERMINAL	1
28	CR-35763	CONNECTOR, 8 TERMINAL	1
29	CR-35765	TERMINAL, 3.5MM PLUGGABLE, 10	1
34	FU-33184	5X20MM, SLOW BLO, 2 AMP, 250V	1
35	FU-34770	FUSE HOLDER, 3 BANK	1
36	FU-34772	FUSE, 15 AMP	3
38	LA-38832	LABEL, FUSE WARNING	1
39	RL-33930	RELAY, 12VDC, 15A, 8 PINS	2
40	RL-34634	UNIVERSAL MOUNTING SOCKET	2
41	RL-37266	SPRING, HOLD DOWN,	2
42	SC-22268	SCREW, M3x0.5X8MM PAN	2
44	TI-35719	TIE, TWIST LOCK 0.5" STANDOFF	7
45	TM-34305	TERMINAL, SCREWLESS END	3**
46	TM-34306	TERMINAL, GROUND, 6mm, SPRING	2
47	TM-34309	TERMINAL, END SECTION, SPRING	1
48	TM-34311	TERMINAL, FUSE HOLDER, 8mm	1
49	TM-34315	TERMINAL, END PLATE	1
50	TM-34881	TERMINAL, 3.5MM PLUGGABLE, 4 POLE	1
51	TM-34884	TERMINAL, 3.5MM PLUGGABLE, 6 POLE	1
52	TM-34889	TERMINAL, 3.5MM PLUGGABLE, 8 POLE	2
53	TM-34904	TERMINAL, 3-POLE GREEN, GMVSTBR	1
54	TM-34931	TERMINAL, 3.5MM PLUGGABLE, 7 POLE	2
61	TT-36119	THERMOSTAT, BI-METAL, 100 DEG CLOSE	1
63	WS-22299	WASHER, M3 SPLIT LOCK	2

REMAINING PARTS TO BUILD CHASSIS 5016484

ITEM	PART NUMBER	DESCRIPTION	5016484 /QTY.
3	5015357	WIRE ASSEMBLY, 6-10, 10-10, 7-20 CTP	1
4	5015375	WIRE ASSEMBLY, 6-10, 7-20, 10-10	1
5	5015377	WIRE ASSEMBLY, 10-10, 7-20 208V	1
6	5015381	WIRE ASSEMBLY, 6-10, 10-10, 7-20 ALL	1
8	5015481	BRACKET ASSEMBLY, MOTOR DRIVE MOUNT	1
13	5016749	WIRE ASSEMBLY, TABLE TOP 208V,	1
16	5017026	BRACKET, FILTER LINE, ASSEMBLY	1
17	BA-34676	BOARD, VF MOTOR DRIVE	1
20	CB-35777	CABLE, CAN-FAN, 4 POLE	1
21	CN-3654	CONTACTOR, 40 AMP	2
22	CN-3731	CONTACTOR, 50 AMP	2
23	CR-34639	CONNECTOR, QUICK DISCONNECT	1
27	CR-35762	CONNECTOR, 7 TERMINAL	1
30	CR-35766	TERMINAL, 3.5MM PLUGGABLE, 12	1
31	CR-36843	CONNECTOR, INSULATED FERRULE H1, 5/14D SW	1
32	EV-28115	ENVELOPE, PRESS ON (NOT SHOWN)	1
33	FI-33225	FILTER LINE 115/250V 50/60HZ	1
37	FU-36668	5X20MM, SLOW BLO, 5AMP, 250V	1
43	SC-22273	SCREW, M4x0.7X10MM PAN	4
45	TM-34305	TERMINAL, SCREWLESS END	* 1
55	TM-36351	TERMINAL FEED THROUGH BLOCK	4
56	TM-36352	CROSS CONNECTOR WITH SCREWS	2
57	TM-3782	TERMINAL, GROUND, 35mm	1
58	TM-3788	TERMINALS, MARK, L	2
59	TM-3790	TERMINALS, MARK, 1	1
60	TM-3791	TERMINALS, MARK, 2	1
62	WS-22294	WASHER, FLAT M4 18-8 S/S	4
64	WS-22300	WASHER, M4 SPLIT LOCK	4

Note: Refer to MN-35949 Rev.2 for part numbers of wiring chassis for previous models

ELECTRICAL CHASSIS – CTP 10-10EB/7-20EB 240V 3P_H (5015128)



ELECTRICAL CHASSIS – CTP 10-10EB/7-20EB 240V 3P_H (5015128)

CORE CHASSIS PARTS, REFERENCE 5020519 (ADD 5020519 TO 5015128 ITEM)

* = not shown
** = non-parametric BOM quantity

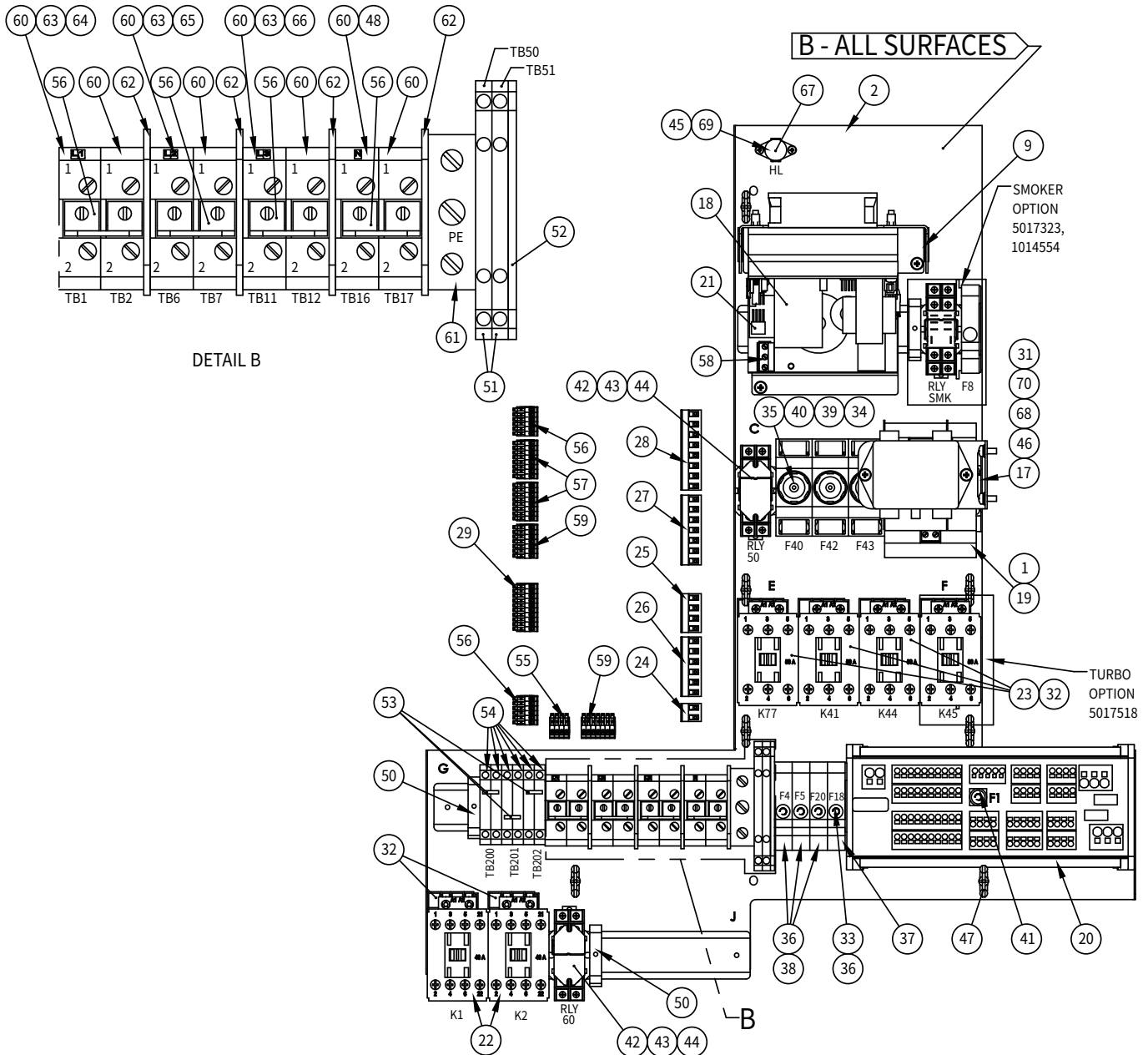
ITEM	PART NUMBER	DESCRIPTION	5015128/QTY.	
1	5014970	PANEL ASSEMBLY, ELEC CHASSIS	1	
*	3	5015350	WIRE ASSEMBLY, TBL TOP CTP ALL	1
*	7	5015382	WIRE ASSEMBLY, CTC/CTP RELAY	1
*	9	5016379	WIRE ASSEMBLY, TBL TOP CLASSIC&	1
*	10	5016435	WIRE ASSEMBLY, TBL TOP CTC/CTP ALL	1
*	11	5016436	WIRE ASSEMBLY, TBL TOP CTC/CTP ALL	1
*	12	5016629	WIRE ASSEMBLY, CONTROL BOARD, CTP	1
*	14	5016753	WIRE ASSEMBLY, TABLETOP ALL VOLTS	1
*	15	5016795	WIRE ASSEMBLY, 6-10, 10-10	2
	18	BA-35693	BOARD, POWER SUPPLY 10-15VDC 8A	1
	19	BA-37262	BOARD ASSEMBLY, MODULAR TERMINAL	1
	24	CR-35759	CONNECTOR, 2 TERMINAL	1
	25	CR-35760	CONNECTOR, 4 TERMINAL	1
	26	CR-35761	CONNECTOR, 6 TERMINAL	1
	28	CR-35763	CONNECTOR, 8 TERMINAL	1
	29	CR-35765	TERMINAL, 3.5MM PLUGGABLE, 10	1
	34	FU-33184	5X20MM, SLOW BLO, 2 AMP, 250V	1
	35	FU-34770	FUSE HOLDER, 3 BANK	1
	36	FU-34772	FUSE, 15 AMP	3
	38	LA-38832	LABEL, FUSE WARNING	1
	39	RL-33930	RELAY, 12VDC, 15A, 8 PINS	2
	40	RL-34634	UNIVERSAL MOUNTING SOCKET	2
	41	RL-37266	SPRING, HOLD DOWN	2
	42	SC-22268	SCREW, M3x0.5X8MM PAN	2
	44	TI-35719	TIE, TWIST LOCK 0.5" STANDOFF	7
	46	TM-34305	TERMINAL, SCREWLESS END	5**
	47	TM-34306	TERMINAL, GROUND, 6mm, SPRING	2
	48	TM-34309	TERMINAL, END SECTION, SPRING	1
	49	TM-34311	TERMINAL, FUSE HOLDER, 8mm	1
	50	TM-34315	TERMINAL, END PLATE	1
	51	TM-34881	TERMINAL, 3.5MM PLUGGABLE, 4 POLE	1
	52	TM-34884	TERMINAL, 3.5MM PLUGGABLE, 6 POLE	1
	53	TM-34889	TERMINAL, 3.5MM PLUGGABLE, 8 POLE	2
	54	TM-34904	TERMINAL, 3-POLE GREEN, GMVSTBR	1
	55	TM-34931	TERMINAL, 3.5MM PLUGGABLE, 7 POLE	2
	63	TT-36119	THERMOSTAT, BI-METAL, 100 DEG CLOSE	1
	65	WS-22299	WASHER, M3 SPLIT LOCK	2

REMAINING PARTS TO BUILD CHASSIS 5015128

ITEM	PART NUMBER	DESCRIPTION	5015128/QTY.	
*	2	5015344	WIRE ASSEMBLY, 7-20 240V TOUCH	1
*	4	5015357	WIRE ASSEMBLY, 6-10, 10-10, 7-20 CTP	1
*	5	5015376	WIRE ASSEMBLY, 6,10, 10,10, 7,14 ESI	1
*	6	5015381	WIRE ASSEMBLY, 6-10, 10-10, 7-20 ALL	1
	8	5015481	BRACKET ASSEMBLY, MOTOR DRIVE MOUNT	1
*	13	5016749	WIRE ASSEMBLY, TABLE TOP 208V,	1
	16	5017026	BRACKET, FILTER LINE, ASSEMBLY	1
	17	BA-34676	BOARD, VF MOTOR DRIVE	1
	20	CB-35777	CABLE, CAN-FAN, 4 POLE	1
	21	CN-3654	CONTACTOR, 40 AMP	2
	22	CN-3731	CONTACTOR, 50 AMP	2
	23	CR-34639	CONNECTOR, QUICK DISCONNECT	1
	27	CR-35762	CONNECTOR, 7 TERMINAL	1
	30	CR-35766	TERMINAL, 3.5MM PLUGGABLE, 12	1
	31	CR-36843	CONNECTOR, INSULATED FERRULE H1, 5/14D SW	1
*	32	EV-28115	ENVELOPE, PRESS ON (NOT SHOWN)	1
	33	FI-33225	FILTER LINE 115/250V 50/60HZ	1
	37	FU-36668	5X20MM, SLOW BLO, 5AMP, 250V	1
	43	SC-22273	SCREW, M4x0.7X10MM PAN	4
	45	TM-33837	JUMPER STRIP	3
	46	TM-34305	TERMINAL, SCREWLESS END	2**
	55	TM-34931	TERMINAL, 3.5MM PLUGGABLE, 7 POLE	2
	56	TM-3780	TERMINALS, *CT, SER., 35MM	6
	57	TM-3782	TERMINAL, GROUND, 35mm	1
	58	TM-3786	TERMINAL, CT, 35mm WALL, PART	3
	59	TM-3788	TERMINALS, MARK, L	3
	60	TM-3790	TERMINALS, MARK, 1	1
	61	TM-3791	TERMINALS, MARK, 2	1
	62	TM-3792	TERMINALS, MARK, 3	1
	64	WS-22294	WASHER, FLAT M4 18-8 S/S	4
	66	WS-22300	WASHER, M4 SPLIT LOCK	4

Note: Refer to MN-35949 Rev.2 for part numbers of wiring chassis for previous models

ELECTRICAL CHASSIS – CTP 10-10EB/7-20EB 380V (5015904)



ELECTRICAL CHASSIS – CTP 10-10EB/7-20EB 380V (5015904)

* = not shown

ITEM	PART NUMBER	DESCRIPTION	5015904/QTY.
1	1014554	BRACKET, DIN STOP	2
2	5014970	PANEL ASSEMBLY , ELEC CHASSIS	1
* 3	5015350	WIRE ASSEMBLY, TBL TOP CTP ALL	1
* 4	5015357	WIRE ASSEMBLY, 6-10, 10-10, 7-20 CTP	1
* 5	5015368	WIRE ASSEMBLY, 10-10, 7-20 380V	1
* 6	5015371	WIRE ASSEMBLY, 7-20, 10-10 CTP	1
* 7	5015381	WIRE ASSEMBLY, 6-10, 10-10, 7-20 ALL	1
* 8	5015382	WIRE ASSEMBLY, CTC/CTP RELAY	1
9	5015481	BRACKET ASSEMBLY, MOTOR DRIVE MOUNT	1
* 10	5016379	WIRE ASSEMBLY, TBL TOP CLASSIC&	1
* 11	5016435	WIRE ASSEMBLY, TBL TOP CTC/CTP ALL	1
* 12	5016436	WIRE ASSEMBLY, TBL TOP CTC/CTP ALL	1
* 13	5016629	WIRE ASSEMBLY, CONTROL BOARD, CTP	1
* 14	5016750	WIRE ASSEMBLY, 380V CTC/CTP	1
* 15	5016753	WIRE ASSEMBLY, TABLETOP ALL VOLTS	1
* 16	5016795	WIRE ASSEMBLY, 6-10, 10-10	1
17	5017026	BRACKET, FILTER LINE, ASSEMBLY	1
18	BA-34676	BOARD, VF MOTOR DRIVE	1
19	BA-35693	BOARD, POWER SUPPLY 10-15VDC 8A	1
20	BA-37262	BOARD ASSEMBLY, MODULAR TERMINAL	1
21	CB-35777	CABLE, CAN-FAN, 4 POLE	1
22	CN-3654	CONTACTOR, 40 AMP	2
23	CN-3731	CONTACTOR, 50 AMP	3
24	CR-35759	CONNECTOR, 2 TERMINAL	1
25	CR-35760	CONNECTOR, 4 TERMINAL	1
26	CR-35761	CONNECTOR, 6 TERMINAL	1
27	CR-35762	CONNECTOR, 7 TERMINAL	1
28	CR-35763	CONNECTOR, 8 TERMINAL	1
29	CR-35765	TERMINAL, 3.5MM PLUGGABLE, 10	1
30	EV-28115	ENVELOPE, PRESS ON (NOT SHOWN)	1
31	FI-33225	FILTER LINE 115/250V 50/60HZ	1
32	FI-33990	EMI FILTER	5
33	FU-33184	5X20MM, SLOW BLO, 2 AMP, 250V	1
34	FU-33444	FUSE, DO2 NEOZED BASE & COVER	3
35	FU-33445	FUSE, DO2 NEOZED SCREW CAP	3
36	FU-33451	FUSE, TERMINAL, 6.3AMP	4
37	FU-34749	FUSE, HOLDER COVER	1
38	FU-34921	FUSE, 15 AMP, 250V, 5mm X 20mm	3
39	FU-35497	FUSE, DO2 NEOZED GAUGE RING 50A	3
40	FU-35850	FUSE, DO2 NEOZED 50A, WHITE	3
41	FU-36668	5X20MM, SLOW BLO, 5AMP, 250V	1
42	RL-33930	RELAY, 12VDC, 15A, 8 PINS	2
43	RL-34634	UNIVERSAL MOUNTING SOCKET	2
44	RL-37266	SPRING, HOLD DOWN,	2
45	SC-22268	SCREW, M3x0.5X8MM PAN	2
46	SC-22273	SCREW, M4x0.7X10MM PAN	4
47	TI-35719	TIE, TWIST LOCK 0.5" STANDOFF	7
48	TM-33479	TERMINALS, MARK, N	1
56	TM-33837	JUMPER STRIP	4
50	TM-34305	TERMINAL, SCREWLESS END	2
51	TM-34306	TERMINAL, GROUND, 6mm, SPRING	2
52	TM-34309	TERMINAL, END SECTION, SPRING	1
53	TM-34310	JUMPER BAR	3
54	TM-34438	TERMINAL, SPRING CLAMP, 1 POLE	6
55	TM-34881	TERMINAL, 3.5MM PLUGGABLE, 4 POLE	1
56	TM-34884	TERMINAL, 3.5MM PLUGGABLE, 6 POLE	2
57	TM-34889	TERMINAL, 3.5MM PLUGGABLE, 8 POLE	2
58	TM-34904	TERMINAL, 3-POLE GREEN, GMYSTBR	1
59	TM-34931	TERMINAL, 3.5MM PLUGGABLE, 7 POLE	2
60	TM-3780	TERMINALS, *CT, SER., 35MM	8
61	TM-3782	TERMINAL, GROUND, 35mm	1
62	TM-3786	TERMINAL, CT, 35mm WALL, PART	4
63	TM-3788	TERMINALS, MARK, L	3
64	TM-3790	TERMINALS, MARK, 1	1
65	TM-3791	TERMINALS, MARK, 2	1
66	TM-3792	TERMINALS, MARK, 3	1
67	TT-36119	THERMOSTAT, BI-METAL, 100 DEG CLOSE	1
68	WS-22294	WASHER, FLAT M4 18-8 S/S	4
69	WS-22299	WASHER, M3 SPLIT LOCK	2
70	WS-22300	WASHER, M4 SPLIT LOCK	4

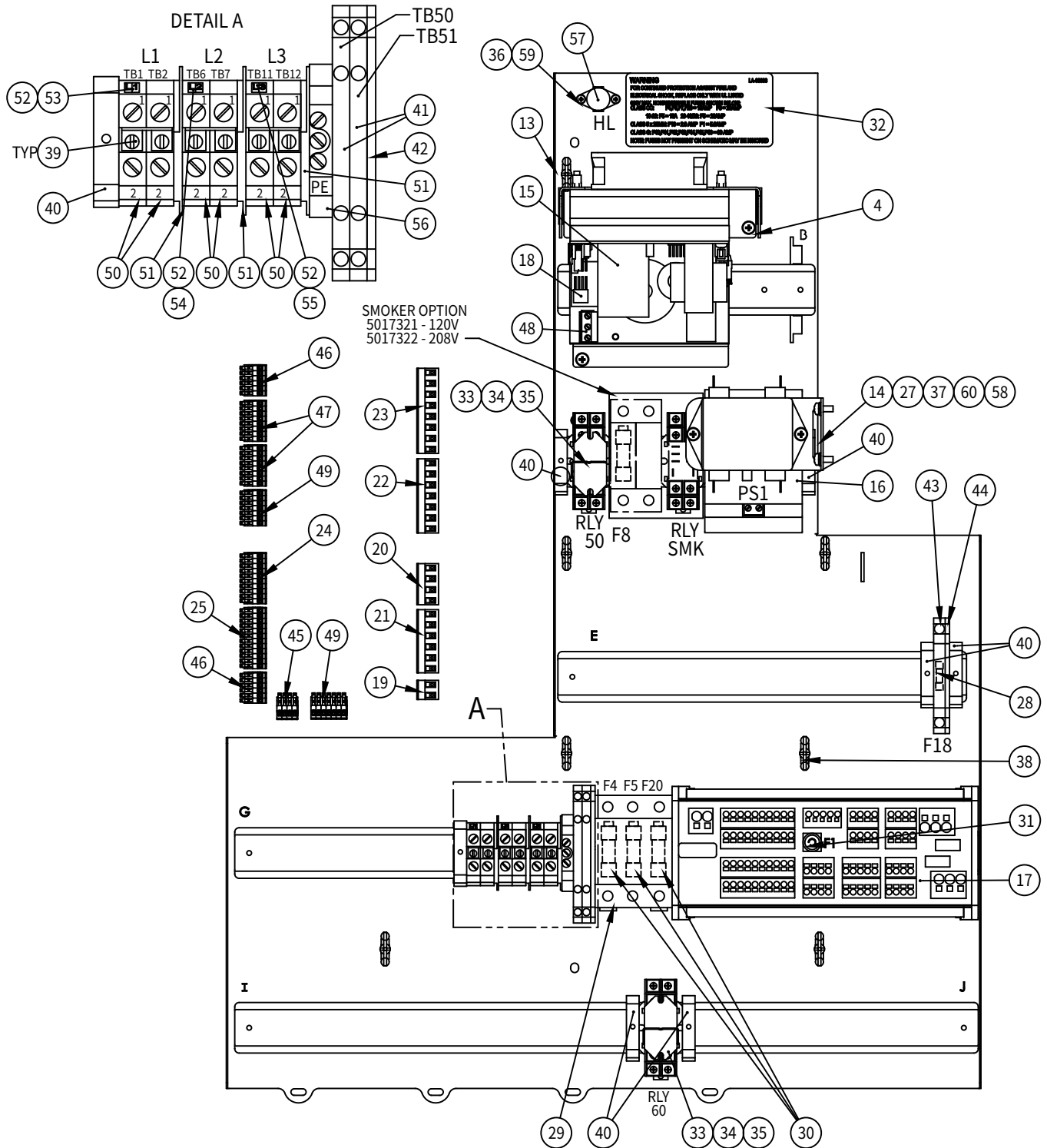
Note: Refer to MN-35949 Rev.2 for part numbers of wiring chassis for previous models

ELECTRICAL CHASSIS – CTP 10-10EB/7-20EB 440V (5015906)

ITEM	PART NUMBER	DESCRIPTION	5015906/QTY.
1	5014970	PANEL ASSEMBLY, ELEC CHASSIS	1
2	5015351	WIRE ASM, 6-10, 10-10, 10-20, 7-20	1
3	5015357	WIRE ASSEMBLY, 6-10, 10-10, 7-20 CTP	1
4	5015358	WIRE ASSEMBLY, 440V POWER CVRSN	1
5	5015360	WIRE ASSEMBLY, MDM EI 440V TOUCH	1
6	5015363	WIRE ASSEMBLY, MDM EB 440V TOUCH	1
7	5015381	WIRE ASSEMBLY, 6-10, 10-10, 7-20 ALL	1
8	5015382	WIRE ASSEMBLY, CTC/CTP RELAY	1
9	5015481	BRACKET ASSEMBLY, MOTOR DRIVE MOUNT	1
10	5016379	WIRE ASSEMBLY, TBL TOP CLASSIC&	1
11	5016435	WIRE ASSEMBLY, TBL TOP CTC/CTP ALL	1
12	5016436	WIRE ASSEMBLY, TBL TOP CTC/CTP ALL	1
13	5016640	WIRE ASSEMBLY, 6.10, 10.10, 7.14, 10.18 ES/ESI/ESG	1
14	5016753	WIRE ASSEMBLY, TABLETOP ALL VOLTS	1
15	5016795	WIRE ASSEMBLY, 6-10, 10-10	1
16	BA-35693	BOARD, POWER SUPPLY 10-15VDC 8A	1
17	BA-37262	BOARD ASSEMBLY, MODULAR TERMINAL	1
18	BA-38644	BOARD, VFD, 440V 3-PHASE	1
19	CB-35777	CABLE, CAN-FAN, 4 POLE	1
20	CN-3654	CONTACTOR, 40 AMP	2
21	CN-3731	CONTACTOR, 50 AMP	2
22	CR-35759	CONNECTOR, 2 TERMINAL	1
23	CR-35760	CONNECTOR, 4 TERMINAL	1
24	CR-35761	CONNECTOR, 6 TERMINAL	1
25	CR-35762	CONNECTOR, 7 TERMINAL	1
26	CR-35763	CONNECTOR, 8 TERMINAL	1
27	CR-35765	TERMINAL, 3.5MM PLUGGABLE, 10	1
28	EV-28115	ENVELOPE, PRESS ON (NOT SHOWN)	1
29	FU-33040	45A, MP, CLASS G, 480V MED. TIME-LAG	3
30	FU-33184	5X20MM, SLOW BLO, 2 AMP, 250V	1
31	FU-34770	FUSE HOLDER, 3 BANK	1
32	FU-34771	FUSE HOLDER, 2 BANK	2
33	FU-34772	FUSE, 15 AMP	5
34	FU-35728	FUSE HOLDER, 60A 480V CLASS G	1
35	FU-36668	5X20MM, SLOW BLO, 5AMP, 250V	1
36	LA-38832	LABEL, FUSE WARNING	1
37	RL-33930	RELAY, 12VDC, 15A, 8 PINS	1
38	RL-34634	UNIVERSAL MOUNTING SOCKET	2
39	RL-36100	RELAY, DPDT, 12VDC	1
40	RL-37266	SPRING, HOLD DOWN,	2
41	SC-22268	SCREW, M3x0.5X8MM PAN	2
42	TI-35719	TIE, TWIST LOCK 0.5" STANDOFF	7
43	TM-33837	JUMPER STRIP	3
44	TM-34305	TERMINAL, SCREWLESS END	5
45	TM-34306	TERMINAL, GROUND, 6mm, SPRING	2
46	TM-34309	TERMINAL, END SECTION, SPRING	1
47	TM-34311	TERMINAL, FUSE HOLDER, 8mm	1
48	TM-34315	TERMINAL, END PLATE	1
49	TM-34437	PARTITION WALL, 1 POLE, FOR	1
50	TM-34438	TERMINAL, SPRING CLAMP, 1 POLE	4
51	TM-34881	TERMINAL, 3.5MM PLUGGABLE, 4 POLE	1
52	TM-34884	TERMINAL, 3.5MM PLUGGABLE, 6 POLE	2
53	TM-34889	TERMINAL, 3.5MM PLUGGABLE, 8 POLE	2
54	TM-34931	TERMINAL, 3.5MM PLUGGABLE, 7 POLE	2
55	TM-34937	TERMINAL, 7-POLE GREEN, MSTB	1
56	TM-3778	TERMINALS, *CT, SERIES, 4MM	5
57	TM-3780	TERMINALS, *CT, SER., 35MM	6
58	TM-3782	TERMINAL, GROUND, 35mm	1
59	TM-3783	TERMINAL, WALL, 4MM	1
60	TM-3786	TERMINAL, CT, 35mm WALL, PART	3
61	TM-3788	TERMINALS, MARK, L	3
62	TM-3790	TERMINALS, MARK, 1	1
63	TM-3791	TERMINALS, MARK, 2	1
64	TM-3792	TERMINALS, MARK, 3	1
65	TT-36119	THERMOSTAT, BI-METAL, 100 DEG CLOSE	1
66	WS-22299	WASHER, M3 SPLIT LOCK	2

Note: Refer to MN-35949 Rev.2 for part numbers of wiring chassis for previous models

ELECTRICAL CHASSIS – CTP 10-20G 120-208V (5016097)



ELECTRICAL CHASSIS – CTP 10-20G 120-208V (5016097)

CORE CHASSIS PARTS, REFERENCE 5020021

(ADD THIS ITEM TO 5016097)

* = not shown
 ** = non-parametric BOM quantities

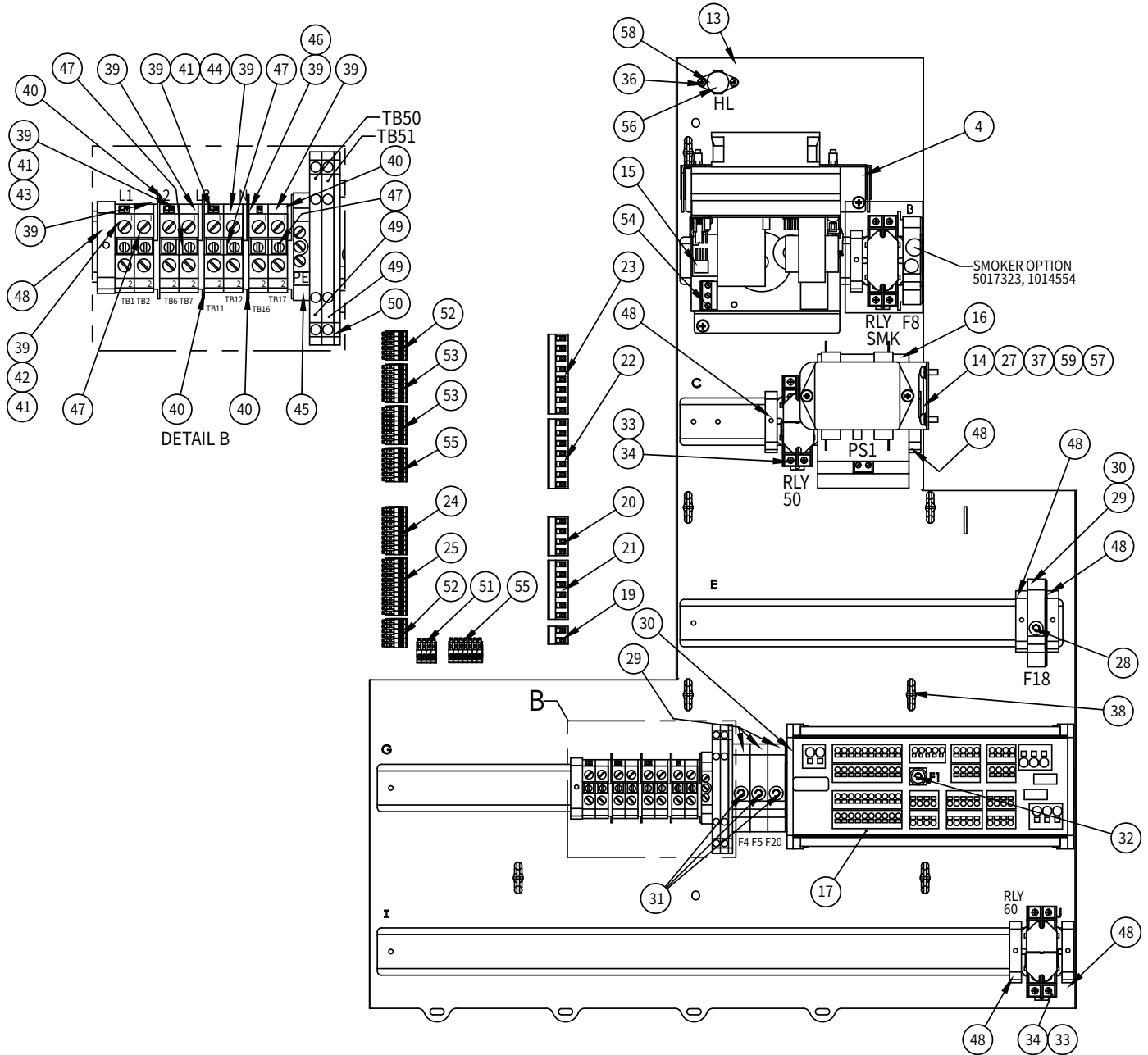
ITEM	PART NUMBER	DESCRIPTION	5016097 /QTY.	
*	1	5015350	WIRE ASSEMBLY, TBL TOP CTP ALL	1
*	5	5016283	WIRE ASSEMBLY, 10-20 CTC/CTP ALL	1
*	6	5016379	WIRE ASSEMBLY, TBL TOP CLASSIC&	1
*	7	5016435	WIRE ASSEMBLY, TBL TOP CTC/CTP ALL	1
*	8	5016436	WIRE ASSEMBLY, TBL TOP CTC/CTP ALL	1
*	9	5016629	WIRE ASSEMBLY, CONTROL BOARD, CTP	1
*	10	5016749	WIRE ASSEMBLY, TABLE TOP 208V,	1
*	11	5016753	WIRE ASSEMBLY, TABLETOP ALL VOLTS	1
*	12	5016796	WIRE ASSEMBLY, 10-20 ALL VOLTS	1
	13	5016893	PANEL ASSEMBLY, ELECTRICAL CHASSIS,	1
	16	BA-35693	BOARD, POWER SUPPLY 10-15VDC 8A	1
	17	BA-37262	BOARD ASSEMBLY, MODULAR TERMINAL	1
	19	CR-35759	CONNECTOR, 2 TERMINAL	1
	20	CR-35760	CONNECTOR, 4 TERMINAL	1
	21	CR-35761	CONNECTOR, 6 TERMINAL	1
	22	CR-35762	CONNECTOR, 7 TERMINAL	1
	23	CR-35763	CONNECTOR, 8 TERMINAL	1
	24	CR-35765	TERMINAL, 3.5MM PLUGGABLE, 10	1
	25	CR-35766	TERMINAL, 3.5MM PLUGGABLE, 12	1
*	26	EV-28115	ENVELOPE, PRESS ON (NOT SHOWN)	1
	28	FU-33184	5X20MM, SLOW BLO, 2 AMP, 250V	1
	29	FU-34770	FUSE HOLDER, 3 BANK	1
	30	FU-34772	FUSE, 15 AMP	3
	31	FU-36668	5X20MM, SLOW BLO, 5AMP, 250V	1
	33	RL-33930	RELAY, 12VDC, 15A, 8 PINS	2
	34	RL-34634	UNIVERSAL MOUNTING SOCKET	2
	35	RL-37266	SPRING, HOLD DOWN,	2
	36	SC-22268	SCREW, M3x0.5X8MM PAN	2
	38	TI-35719	TIE, TWIST LOCK 0.5" STANDOFF	7
	40	TM-34305	TERMINAL, SCREWLESS END	5**
	41	TM-34306	TERMINAL, GROUND, 6mm, SPRING	2
	42	TM-34309	TERMINAL, END SECTION, SPRING	1
	43	TM-34311	TERMINAL, FUSE HOLDER, 8mm	1
	44	TM-34315	TERMINAL, END PLATE	1
	45	TM-34881	TERMINAL, 3.5MM PLUGGABLE, 4 POLE	1
	46	TM-34884	TERMINAL, 3.5MM PLUGGABLE, 6 POLE	2
	47	TM-34889	TERMINAL, 3.5MM PLUGGABLE, 8 POLE	2
	48	TM-34904	TERMINAL, 3-POLE GREEN, GMVSTBR	1
	49	TM-34931	TERMINAL, 3.5MM PLUGGABLE, 7 POLE	2
	57	TT-36119	THERMOSTAT, BI-METAL, 100 DEG CLOSE	1
	59	WS-22299	WASHER, M3 SPLIT LOCK	2

REMAINING PARTS TO BUILD CHASSIS 5016097

ITEM	PART NUMBER	DESCRIPTION	5016097 /QTY.	
*	2	5015353	WIRE ASSEMBLY, 10-20 120/208V	1
*	3	5015380	WIRE ASSEMBLY, ALL ESG, ALL VOLTAGE	1
	4	5015481	BRACKET ASSEMBLY, MOTOR DRIVE MOUNT	1
	14	5017026	BRACKET, FILTER LINE, ASSEMBLY	1
	15	BA-34676	BOARD, VF MOTOR DRIVE	1
	18	CB-35777	CABLE, CAN-FAN, 4 POLE	1
	27	FI-33225	FILTER LINE 115/250V 50/60HZ	1
	32	LA-38833	LABEL, FUSE WARNING	1
	34	RL-34634	UNIVERSAL MOUNTING SOCKET	2
	37	SC-22273	SCREW, M4x0.7X10MM PAN	4
	39	TM-33675	JUMPER STRIP	3
	40	TM-34305	TERMINAL, SCREWLESS END	2**
	50	TM-3779	TERMINAL BLOCK	6
	51	TM-3785	TERMINALS, *CT, WALL, PART., 16MM	3
	52	TM-3788	TERMINALS, MARK, L	3
	53	TM-3790	TERMINALS, MARK, 1	1
	54	TM-3791	TERMINALS, MARK, 2	1
	55	TM-3792	TERMINALS, MARK, 3	1
	56	TM-3932	TERMINAL, GROUND	1
	58	WS-22294	WASHER, FLAT M4 18-8 S/S	4
	60	WS-22300	WASHER, M4 SPLIT LOCK	4

Note: Refer to MN-35949 Rev.2 for part numbers of wiring chassis for previous models

ELECTRICAL CHASSIS – CTP 10-20G 380-415V (5016098)

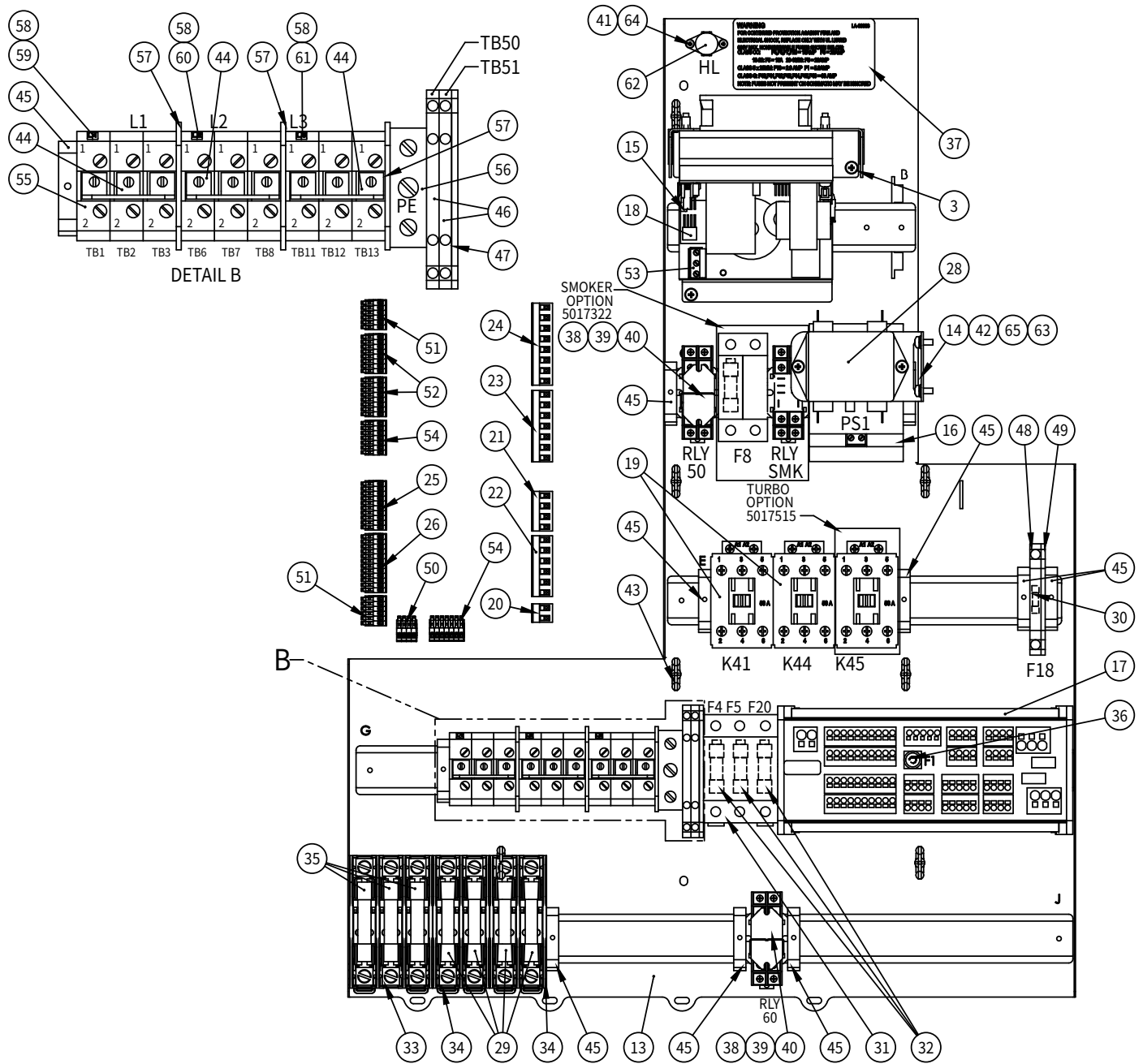


ELECTRICAL CHASSIS – CTP 10-20G 380-415V (5016098)

ITEM	PART NUMBER	DESCRIPTION	5016098/ QTY.
1	5015350	WIRE ASSEMBLY, TBL TOP CTP ALL	1
2	5015353	WIRE ASSEMBLY, 10-20 120/208V	1
3	5015380	WIRE ASSEMBLY, ALL ESG, ALL VOLTAGE	1
4	5015481	BRACKET ASSEMBLY, MOTOR DRIVE MOUNT	1
5	5016283	WIRE ASSEMBLY, 10-20 CTC/CTP ALL	1
6	5016379	WIRE ASSEMBLY, TBL TOP CLASSIC&	1
7	5016435	WIRE ASSEMBLY, TBL TOP CTC/CTP ALL	1
8	5016436	WIRE ASSEMBLY, TBL TOP CTC/CTP ALL	1
9	5016629	WIRE ASSEMBLY, CONTROL BOARD, CTP	1
10	5016750	WIRE ASSEMBLY, 380V CTC/CTP	1
11	5016753	WIRE ASSEMBLY, TABLETOP ALL VOLTS	1
12	5016796	WIRE ASSEMBLY, 10-20 ALL VOLTS	1
13	5016893	PANEL ASSEMBLY, ELECTRICAL CHASSIS,	1
14	5017026	BRACKET, FILTER LINE, ASSEMBLY	1
15	BA-34676	BOARD, VF MOTOR DRIVE	1
16	BA-35693	BOARD, POWER SUPPLY 10-15VDC 8A	1
17	BA-37262	BOARD ASSEMBLY, MODULAR TERMINAL	1
18	CB-35777	CABLE, CAN-FAN, 4 POLE	1
19	CR-35759	CONNECTOR, 2 TERMINAL	1
20	CR-35760	CONNECTOR, 4 TERMINAL	1
21	CR-35761	CONNECTOR, 6 TERMINAL	1
22	CR-35762	CONNECTOR, 7 TERMINAL	1
23	CR-35763	CONNECTOR, 8 TERMINAL	1
24	CR-35765	TERMINAL, 3.5MM PLUGGABLE, 10	1
25	CR-35766	TERMINAL, 3.5MM PLUGGABLE, 12	1
26	EV-28115	ENVELOPE, PRESS ON (NOT SHOWN)	1
27	FI-33225	FILTER LINE 115/250V 50/60HZ	1
28	FU-33184	5X20MM, SLOW BLO, 2 AMP, 250V	1
29	FU-33451	FUSE, TERMINAL, 6.3AMP	4
30	FU-34749	FUSE, HOLDER COVER	2
31	FU-34921	FUSE, 15 AMP, 250V, 5mm X 20mm	3
32	FU-36668	5X20MM, SLOW BLO, 5AMP, 250V	1
33	RL-33930	RELAY, 12VDC, 15A, 8 PINS	2
34	RL-34634	UNIVERSAL MOUNTING SOCKET	2
35	RL-37266	SPRING, HOLD DOWN,	2
36	SC-22268	SCREW, M3x0.5X8MM PAN	2
37	SC-22273	SCREW, M4x0.7X10MM PAN	4
38	TI-35719	TIE, TWIST LOCK 0.5" STANDOFF	7
39	TM-3779	TERMINAL BLOCK	8
40	TM-3785	TERMINALS, *CT, WALL, PART., 16MM	4
41	TM-3788	TERMINALS, MARK, L	3
42	TM-3790	TERMINALS, MARK, 1	1
43	TM-3791	TERMINALS, MARK, 2	1
44	TM-3792	TERMINALS, MARK, 3	1
45	TM-3932	TERMINAL, GROUND	1
46	TM-33479	TERMINALS, MARK, N	1
47	TM-33675	JUMPER STRIP	4
48	TM-34305	TERMINAL, SCREWLESS END	7
49	TM-34306	TERMINAL, GROUND, 6mm, SPRING	2
50	TM-34309	TERMINAL, END SECTION, SPRING	1
51	TM-34881	TERMINAL, 3.5MM PLUGGABLE, 4 POLE	1
52	TM-34884	TERMINAL, 3.5MM PLUGGABLE, 6 POLE	2
53	TM-34889	TERMINAL, 3.5MM PLUGGABLE, 8 POLE	2
54	TM-34904	TERMINAL, 3-POLE GREEN, GMVSTBR	1
55	TM-34931	TERMINAL, 3.5MM PLUGGABLE, 7 POLE	2
56	TT-36119	THERMOSTAT, BI-METAL, 100 DEG CLOSE	1
57	WS-22294	WASHER, FLAT M4 18-8 S/S	4
58	WS-22299	WASHER, M3 SPLIT LOCK	2
59	WS-22300	WASHER, M4 SPLIT LOCK	4

Note: Refer to MN-35949 Rev.2 for part numbers of wiring chassis for previous models

ELECTRICAL CHASSIS – CTP 10-20E 208-240V (5016099)



ELECTRICAL CHASSIS – CTP 10-20E 208-240V (5016099)

CORE CHASSIS PARTS, REFERENCE 5020021 (ADD THIS ITEM TO 5016099)

* = not shown
** = non-parametric BOM quantities

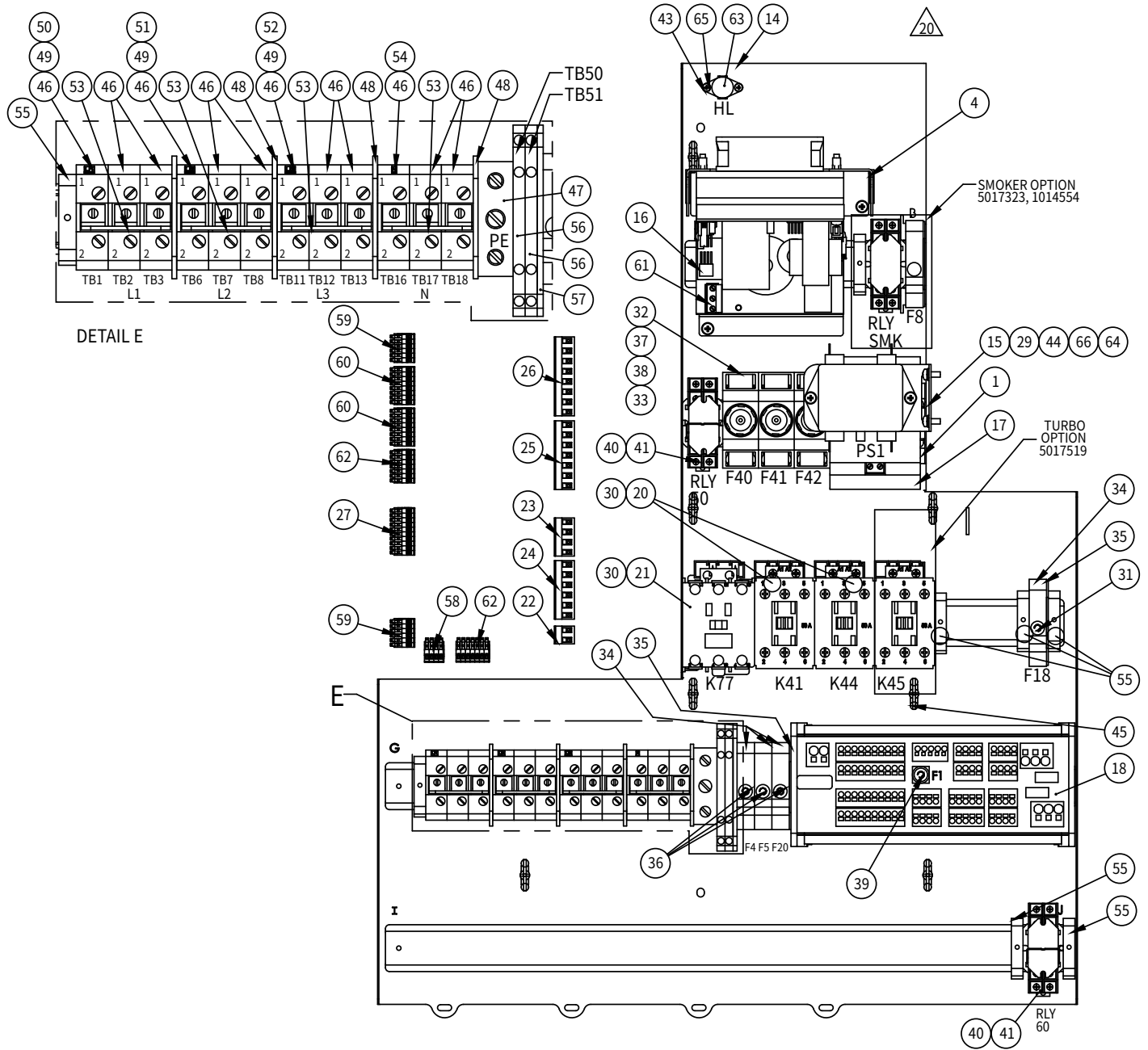
ITEM	PART NUMBER	DESCRIPTION	5016099 /QTY.
* 1	5015350	WIRE ASSEMBLY, TBL TOP CTP ALL	1
* 4	5016283	WIRE ASSEMBLY, 10-20 CTC/CTP ALL	1
* 5	5016379	WIRE ASSEMBLY, TBL TOP CLASSIC&	1
* 7	5016435	WIRE ASSEMBLY, TBL TOP CTC/CTP ALL	1
* 8	5016436	WIRE ASSEMBLY, TBL TOP CTC/CTP ALL	1
* 9	5016629	WIRE ASSEMBLY, CONTROL BOARD, CTP	1
* 10	5016749	WIRE ASSEMBLY, TABLE TOP 208V,	1
* 11	5016753	WIRE ASSEMBLY, TABLETOP ALL VOLTS	1
* 12	5016796	WIRE ASSEMBLY, 10-20 ALL VOLTS	1
13	5016893	PANEL ASSEMBLY, ELECTRICAL CHASSIS,	1
16	BA-35693	BOARD, POWER SUPPLY 10-15VDC 8A	1
17	BA-37262	BOARD ASSEMBLY, MODULAR TERMINAL	1
20	CR-35759	CONNECTOR, 2 TERMINAL	1
21	CR-35760	CONNECTOR, 4 TERMINAL	1
22	CR-35761	CONNECTOR, 6 TERMINAL	1
23	CR-35762	CONNECTOR, 7 TERMINAL	1
24	CR-35763	CONNECTOR, 8 TERMINAL	1
25	CR-35765	TERMINAL, 3.5MM PLUGGABLE, 10	1
26	CR-35766	TERMINAL, 3.5MM PLUGGABLE, 12	1
* 27	EV-28115	ENVELOPE, PRESS ON (NOT SHOWN)	1
30	FU-33184	5X20MM, SLOW BLO, 2 AMP, 250V	1
31	FU-34770	FUSE HOLDER, 3 BANK	1
32	FU-34772	FUSE, 15 AMP	4
36	FU-36668	5X20MM, SLOW BLO, 5AMP, 250V	1
38	RL-33930	RELAY, 12VDC, 15A, 8 PINS	2
39	RL-34634	UNIVERSAL MOUNTING SOCKET	2
40	RL-37266	SPRING, HOLD DOWN,	2
41	SC-22268	SCREW, M3x0.5X8MM PAN	2
43	TI-35719	TIE, TWIST LOCK 0.5" STANDOFF	7
46	TM-34306	TERMINAL, GROUND, 6mm, SPRING	2
47	TM-34309	TERMINAL, END SECTION, SPRING	1
48	TM-34311	TERMINAL, FUSE HOLDER, 8mm	1
49	TM-34315	TERMINAL, END PLATE	1
50	TM-34881	TERMINAL, 3.5MM PLUGGABLE, 4 POLE	1
51	TM-34884	TERMINAL, 3.5MM PLUGGABLE, 6 POLE	2
52	TM-34889	TERMINAL, 3.5MM PLUGGABLE, 8 POLE	2
53	TM-34904	TERMINAL, 3-POLE GREEN, GMVSTBR	1
54	TM-34931	TERMINAL, 3.5MM PLUGGABLE, 7 POLE	2
62	TT-36119	THERMOSTAT, BI-METAL, 100 DEG CLOSE	1
64	WS-22299	WASHER, M3 SPLIT LOCK	2

REMAINING PARTS TO BUILD CHASSIS 5016099

ITEM	PART NUMBER	DESCRIPTION	5016099 /QTY.
* 2	5015374	WIRE ASSEMBLY, 10-20 208V 3PH	1
* 3	5015481	BRACKET ASSEMBLY, MOTOR DRIVE MOUNT	1
* 6	5016404	WIRE ASSEMBLY, 10-20 CTC/CTP ALL	1
14	5017026	BRACKET, FILTER LINE, ASSEMBLY	1
15	BA-34676	BOARD, VF MOTOR DRIVE	1
18	CB-35777	CABLE, CAN-FAN, 4 POLE	1
19	CN-3731	CONTACTOR, 50 AMP	2
28	FI-33225	FILTER LINE 115/250V 50/60HZ	1
29	FU-33040	45A, MP, CLASS G, 480V MED. TIME-LAG	4
33	FU-35728	FUSE HOLDER, 60A 480V CLASS G	1
34	FU-35733	FUSE HOLDER, 60A 480V CLASS G	2
35	FU-35734	FUSE, 60A, SLC CLASS G	3
37	LA-38833	LABEL, FUSE WARNING	1
39	RL-34634	UNIVERSAL MOUNTING SOCKET	2
42	SC-22273	SCREW, M4x0.7X10MM PAN	4
44	TM-33064	JUMPER BAR, 3 POLE, 33mm SQ	3
45	TM-34305	TERMINAL, SCREWLESS END	5**
55	TM-3780	TERMINALS, *CT, SER., 35MM	9
56	TM-3782	TERMINAL, GROUND, 35mm	1
57	TM-3786	TERMINAL, CT, 35mm WALL, PART	3
58	TM-3788	TERMINALS, MARK, L	3
59	TM-3790	TERMINALS, MARK, 1	1
60	TM-3791	TERMINALS, MARK, 2	1
61	TM-3792	TERMINALS, MARK, 3	1
63	WS-22294	WASHER, FLAT M4 18-S/S	4
65	WS-22300	WASHER, M4 SPLIT LOCK	4

Note: Refer to MN-35949 Rev.2 for part numbers of wiring chassis for previous models

ELECTRICAL CHASSIS – CTP 10-20E 380-415V (5016101)



ELECTRICAL CHASSIS – CTP 10-20E 380-415V (5016101)

ITEM	PART NUMBER	DESCRIPTION	5016101/QTY.
1	1014554	BRACKET, DIN STOP	1
2	5015350	WIRE ASSEMBLY, TBL TOP CTP ALL	1
3	5015370	WIRE ASSEMBLY, 10-20 CTC/CTP, 380V	1
4	5015481	BRACKET ASSEMBLY, MOTOR DRIVE MOUNT	1
5	5016283	WIRE ASSEMBLY, 10-20 CTC/CTP ALL	1
6	5016379	WIRE ASSEMBLY, TBL TOP CLASSIC&	1
7	5016404	WIRE ASSEMBLY, 10-20 CTC/CTP ALL	1
8	5016435	WIRE ASSEMBLY, TBL TOP CTC/CTP ALL	1
9	5016436	WIRE ASSEMBLY, TBL TOP CTC/CTP ALL	1
10	5016629	WIRE ASSEMBLY, CONTROL BOARD, CTP	1
11	5016750	WIRE ASSEMBLY, 380V CTC/CTP	1
12	5016753	WIRE ASSEMBLY, TABLETOP ALL VOLTS	1
13	5016796	WIRE ASSEMBLY, 10-20 ALL VOLTS	1
14	5016893	PANEL ASSEMBLY, ELECTRICAL CHASSIS,	1
15	5017026	BRACKET, FILTER LINE, ASSEMBLY	1
16	BA-34676	BOARD, VF MOTOR DRIVE	1
17	BA-35693	BOARD, POWER SUPPLY 10-15VDC 8A	1
18	BA-37262	BOARD ASSEMBLY, MODULAR TERMINAL	1
19	CB-35777	CABLE, CAN-FAN, 4 POLE	1
20	CN-3731	CONTACTOR, 50 AMP	2
21	CN-36605	CONTACTOR, 3POLE, WITH AC COIL	1
22	CR-35759	CONNECTOR, 2 TERMINAL	1
23	CR-35760	CONNECTOR, 4 TERMINAL	1
24	CR-35761	CONNECTOR, 6 TERMINAL	1
25	CR-35762	CONNECTOR, 7 TERMINAL	1
26	CR-35763	CONNECTOR, 8 TERMINAL	1
27	CR-35765	TERMINAL, 3.5MM PLUGGABLE, 10	1
28	EV-28115	ENVELOPE, PRESS ON (NOT SHOWN)	1
29	FI-33225	FILTER LINE 115/250V 50/60HZ	1
30	FI-33990	EMI FILTER	3
31	FU-33184	5X20MM, SLOW BLO, 2 AMP, 250V	1
32	FU-33444	FUSE, DO2 NEOZED BASE & COVER	3
33	FU-33445	FUSE, DO2 NEOZED SCREW CAP	3
34	FU-33451	FUSE, TERMINAL, 6.3AMP	4
35	FU-34749	FUSE, HOLDER COVER	2
36	FU-34921	FUSE, 15 AMP, 250V, 5mm X 20mm	3
37	FU-35497	FUSE, DO2 NEOZED GAUGE RING 50A	3
38	FU-35850	FUSE, DO2 NEOZED 50A, WHITE	3
39	FU-36668	5X20MM, SLOW BLO, 5AMP, 250V	1
40	RL-33930	RELAY, 12VDC, 15A, 8 PINS	2
41	RL-34634	UNIVERSAL MOUNTING SOCKET	2
42	RL-37266	SPRING, HOLD DOWN,	2
43	SC-22268	SCREW, M3x0.5X8MM PAN	2
44	SC-22273	SCREW, M4x0.7X10MM PAN	4
45	TI-35719	TIE, TWIST LOCK 0.5" STANDOFF	7
46	TM-3780	TERMINALS, *CT, SER., 35MM	12
47	TM-3782	TERMINAL, GROUND, 35mm	1
48	TM-3786	TERMINAL, CT, 35mm WALL, PART	4
49	TM-3788	TERMINALS, MARK, L	3
50	TM-3790	TERMINALS, MARK, 1	1
51	TM-3791	TERMINALS, MARK, 2	1
52	TM-3792	TERMINALS, MARK, 3	1
53	TM-33064	JUMPER BAR, 3 POLE, 33mm SQ	4
54	TM-33479	TERMINALS, MARK, N	1
55	TM-34305	TERMINAL, SCREWLESS END	6
56	TM-34306	TERMINAL, GROUND, 6mm, SPRING	2
57	TM-34309	TERMINAL, END SECTION, SPRING	1
58	TM-34881	TERMINAL, 3.5MM PLUGGABLE, 4 POLE	1
59	TM-34884	TERMINAL, 3.5MM PLUGGABLE, 6 POLE	2
60	TM-34889	TERMINAL, 3.5MM PLUGGABLE, 8 POLE	2
61	TM-34904	TERMINAL, 3-POLE GREEN, GMVSTBR	1
62	TM-34931	TERMINAL, 3.5MM PLUGGABLE, 7 POLE	2
63	TT-36119	THERMOSTAT, BI-METAL, 100 DEG CLOSE	1
64	WS-22294	WASHER, FLAT M4 18-8 S/S	4
65	WS-22299	WASHER, M3 SPLIT LOCK	2
66	WS-22300	WASHER, M4 SPLIT LOCK	4

Note: Refer to MN-35949 Rev.2 for part numbers of wiring chassis for previous models

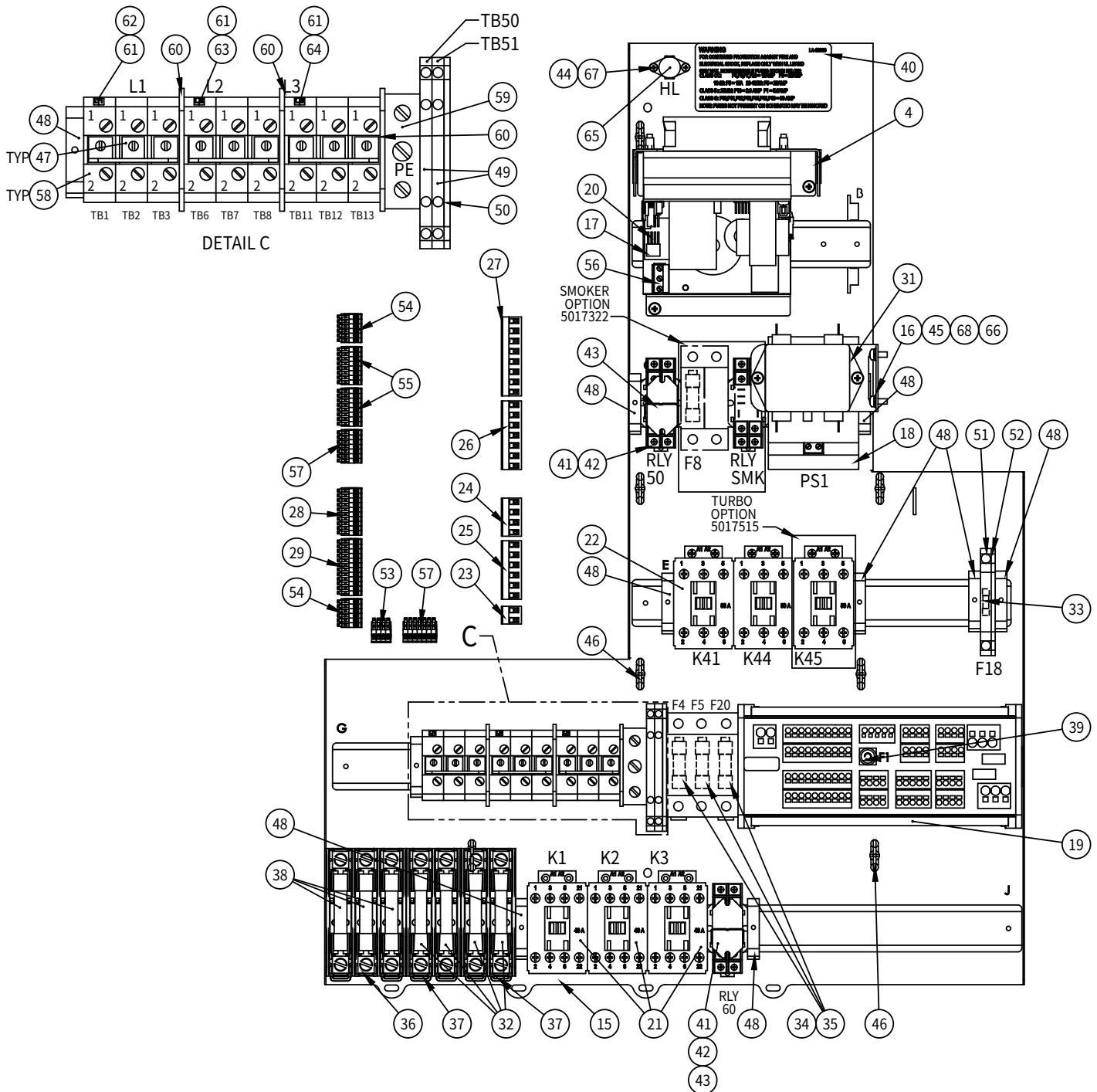
ELECTRICAL CHASSIS – CTP 10-20E 440-480V (5016103)

* = not shown

ITEM	PART NUMBER	DESCRIPTION	5016103 /QTY.	
*	1	5015351	WIRE ASM, 6-10, 10-10, 10-20, 7-20	1
*	2	5015358	WIRE ASSEMBLY, 440V POWER CVRSN	1
*	3	5015359	WIRE ASSEMBLY, 10-20 CTC/CTP	1
	4	5015481	BRACKET ASSEMBLY, MOTOR DRIVE MOUNT	1
*	5	5016283	WIRE ASSEMBLY, 10-20 CTC/CTP ALL	1
*	6	5016379	WIRE ASSEMBLY, TBL TOP CLASSIC&	1
*	7	5016404	WIRE ASSEMBLY, 10-20 CTC/CTP ALL	1
*	8	5016435	WIRE ASSEMBLY, TBL TOP CTC/CTP ALL	1
*	9	5016436	WIRE ASSEMBLY, TBL TOP CTC/CTP ALL	1
*	10	5016640	WIRE ASSEMBLY, CONTROL BOARD, CTP	1
*	11	5016753	WIRE ASSEMBLY, TABLETOP ALL VOLTS	1
	12	5016796	WIRE ASSEMBLY, 10-20 ALL VOLTS	1
	13	5016893	PANEL ASSEMBLY, ELECTRICAL CHASSIS,	1
	14	BA-35693	BOARD, POWER SUPPLY 10-15VDC 8A	1
	15	BA-37262	BOARD ASSEMBLY, MODULAR TERMINAL	1
	16	BA-38644	BOARD, VFD, 440V 3-PHASE	1
	17	CB-35777	CABLE, CAN-FAN, 4 POLE	1
	18	CN-3731	CONTACTOR, 50 AMP	2
	19	CR-35759	CONNECTOR, 2 TERMINAL	1
	20	CR-35760	CONNECTOR, 4 TERMINAL	1
	21	CR-35761	CONNECTOR, 6 TERMINAL	1
	22	CR-35762	CONNECTOR, 7 TERMINAL	1
	23	CR-35763	CONNECTOR, 8 TERMINAL	1
	24	CR-35765	TERMINAL, 3.5MM PLUGGABLE, 10	1
*	25	EV-28115	ENVELOPE, PRESS ON (NOT SHOWN)	1
	26	FU-33040	45A, MP, CLASS G, 480V MED. TIME-LAG	4
	27	FU-33184	5X20MM, SLOW BLO, 2 AMP, 250V	1
	28	FU-34770	FUSE HOLDER, 3 BANK	1
	29	FU-34771	FUSE HOLDER, 2 BANK	1
	30	FU-34772	FUSE, 15 AMP	5
	31	FU-35728	FUSE HOLDER, 60A 480V CLASS G	1
	32	FU-35733	FUSE HOLDER, 60A 480V CLASS G	2
	33	FU-35734	FUSE, 60A, SLC CLASS G	3
	34	FU-36668	5X20MM, SLOW BLO, 5AMP, 250V	1
	35	LA-38833	LABEL, FUSE WARNING	1
	36	RL-33930	RELAY, 12VDC, 15A, 8 PINS	1
	37	RL-34634	UNIVERSAL MOUNTING SOCKET	3
	38	RL-36100	RELAY, DPDT, 12VDC	1
	39	RL-37266	SPRING, HOLD DOWN,	3
	40	SC-22268	SCREW, M3x0.5X8MM PAN	2
	41	TI-35719	TIE, TWIST LOCK 0.5" STANDOFF	7
	42	TM-33064	JUMPER BAR, 3 POLE, 33mm SQ	3
	43	TM-34305	TERMINAL, SCREWLESS END	9
	44	TM-34306	TERMINAL, GROUND, 6mm, SPRING	2
	45	TM-34309	TERMINAL, END SECTION, SPRING	1
	46	TM-34311	TERMINAL, FUSE HOLDER, 8mm	1
	47	TM-34315	TERMINAL, END PLATE	1
	48	TM-34881	TERMINAL, 3.5MM PLUGGABLE, 4 POLE	1
	49	TM-34884	TERMINAL, 3.5MM PLUGGABLE, 6 POLE	2
	50	TM-34889	TERMINAL, 3.5MM PLUGGABLE, 8 POLE	2
	51	TM-34931	TERMINAL, 3.5MM PLUGGABLE, 7 POLE	2
	52	TM-34937	TERMINAL, 7-POLE GREEN, MSTB	1
	53	TM-3778	TERMINALS, *CT, SERIES, 4MM	5
	54	TM-3780	TERMINALS, *CT, SER., 35MM	9
	55	TM-3782	TERMINAL, GROUND, 35mm	1
	56	TM-3783	TERMINAL, WALL, 4MM	1
	57	TM-3786	TERMINAL, CT, 35mm WALL, PART	3
	58	TM-3788	TERMINALS, MARK, L	3
	59	TM-3790	TERMINALS, MARK, 1	1
	60	TM-3791	TERMINALS, MARK, 2	1
	61	TM-3792	TERMINALS, MARK, 3	1
	62	TT-36119	THERMOSTAT, BI-METAL, 100 DEG CLOSE	1
	63	WS-22299	WASHER, M3 SPLIT LOCK	2

Note: Refer to MN-35949 Rev.2 for part numbers of wiring chassis for previous models

ELECTRICAL CHASSIS – CTP 10-20EB 208-240V (5016100)



ELECTRICAL CHASSIS – CTP 10-20EB 208-240V (5016100)

tric BOMquantities

BUILD CHASSIS 5016100

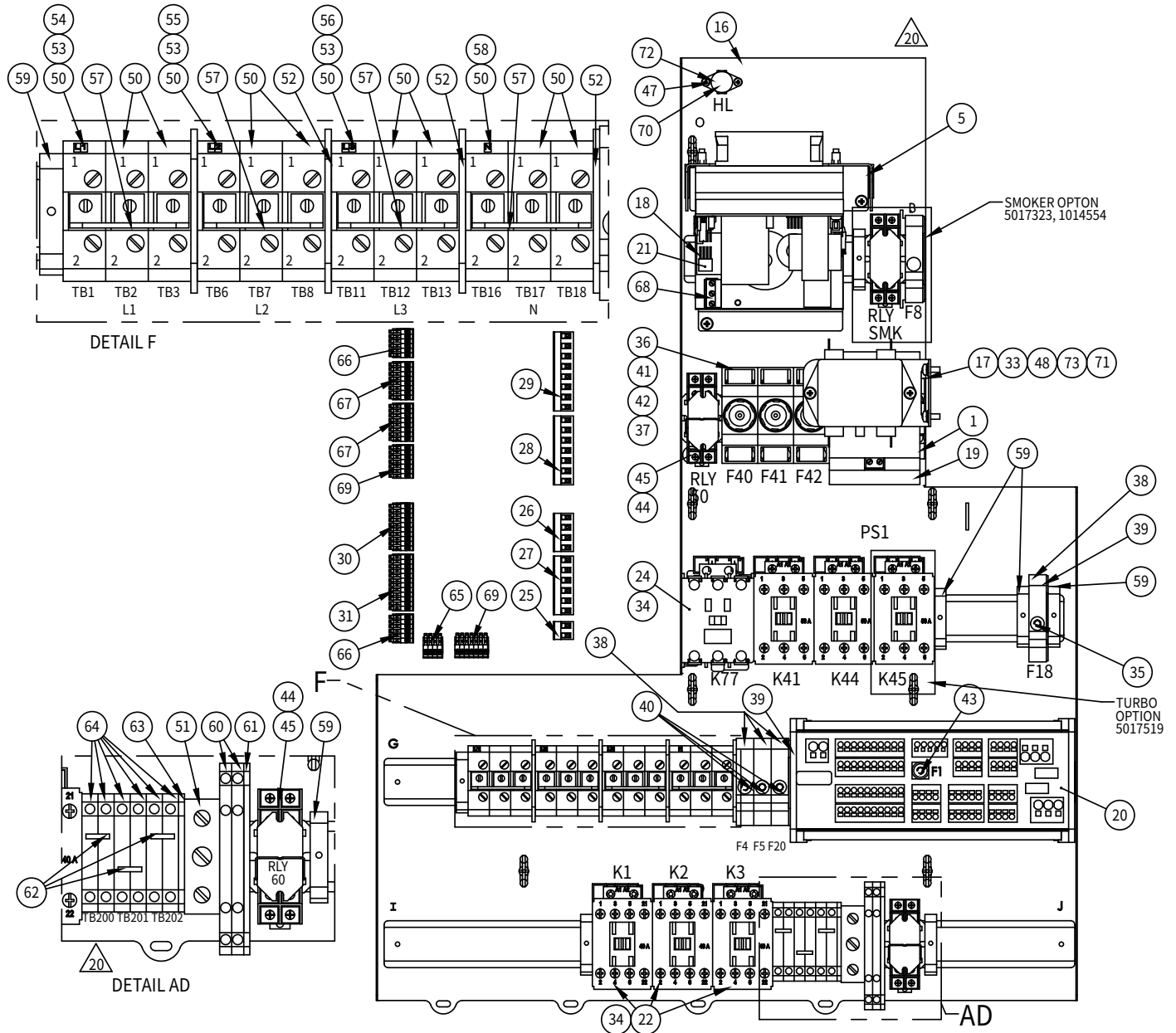
PART NUMBER	DESCRIPTION	5016100 /QTY.
5015345	WIRE ASSEMBLY, 10-20, 20-10, 20-20	1
5015374	WIRE ASSEMBLY, 10-20 208V 3PH	1
5015481	BRACKET ASSEMBLY, MOTOR DRIVE MOUNT	1
5016398	WIRE ASY, 10-20 ALL VOLTS	1
5016404	WIRE ASSEMBLY, 10-20 CTC/CTP ALL	1
5017026	BRACKET, FILTER LINE, ASSEMBLY	1
BA-34676	BOARD, VF MOTOR DRIVE	1
CB-35777	CABLE, CAN-FAN, 4 POLE	1
CN-3654	CONTACTOR, 40 AMP	3
CN-3731	CONTACTOR, 50 AMP	2
FI-33225	FILTER LINE 115/250V 50/60HZ	1
FU-33040	45A, MP, CLASS G, 480V MED. TIME-LAG	4
FU-35728	FUSE HOLDER, 60A 480V CLASS G	1
FU-35733	FUSE HOLDER, 60A 480V CLASS G	2
FU-35734	FUSE, 60A, SLC CLASS G	3
LA-38833	LABEL, FUSE WARNING	1
RL-34634	UNIVERSAL MOUNTING SOCKET	2
SC-22273	SCREW, M4x0.7X10MM PAN	4
TM-33064	JUMPER BAR, 3 POLE, 33mm SO	3
TM-34305	TERMINAL, SCREWLESS END	4**
TM-3780	TERMINALS, *CT, SER., 35MM	9
TM-3782	TERMINAL, GROUND, 35mm	1
TM-3786	TERMINAL, CT, 35mm WALL, PART	3
TM-3788	TERMINALS, MARK, L	3
TM-3790	TERMINALS, MARK, 1	1
TM-3791	TERMINALS, MARK, 2	1
TM-3792	TERMINALS, MARK, 3	1
WS-22294	WASHER, FLAT M4 18-8 S/S	4
WS-22300	WASHER, M4 SPLIT LOCK	4

CORE CHASSIS PARTS, REFERENCE 5020021 (ADD THIS ITEM TO 5016100)

PART NUMBER	DESCRIPTION	5016100 /QTY.
5015350	WIRE ASSEMBLY, TBL TOP CTP ALL	1
5016283	WIRE ASSEMBLY, 10-20 CTC/CTP ALL	1
5016379	WIRE ASSEMBLY, TBL TOP CLASSIC&	1
5016435	WIRE ASSEMBLY, TBL TOP CTC/CTP ALL	1
5016436	WIRE ASSEMBLY, TBL TOP CTC/CTP ALL	1
5016629	WIRE ASSEMBLY, CONTROL BOARD, CTP	1
5016749	WIRE ASSEMBLY, TABLE TOP 208V	1
5016753	WIRE ASSEMBLY, TABLETOP ALL VOLTS	1
5016796	WIRE ASSEMBLY, 10-20 ALL VOLTS	1
5016893	PANEL ASSEMBLY, ELECTRICAL CHASSIS,	1
BA-35693	BOARD, POWER SUPPLY 10-15VDC 8A	1
BA-37262	BOARD ASSEMBLY, MODULAR TERMINAL	1
CR-35759	CONNECTOR, 2 TERMINAL	1
CR-35760	CONNECTOR, 4 TERMINAL	1
CR-35761	CONNECTOR, 6 TERMINAL	1
CR-35762	CONNECTOR, 7 TERMINAL	1
CR-35763	CONNECTOR, 8 TERMINAL	1
CR-35765	TERMINAL, 3.5MM PLUGGABLE, 10	1
CR-35766	TERMINAL, 3.5MM PLUGGABLE, 12	1
EV-28115	ENVELOPE, PRESS ON (NOT SHOWN)	1
FU-33184	5X20MM, SLOW BLO, 2 AMP, 250V	1
FU-34770	FUSE HOLDER, 3 BANK	1
FU-34772	FUSE, 15 AMP	4
FU-36668	5X20MM, SLOW BLO, 5AMP, 250V	1
RL-33930	RELAY, 12VDC, 15A, 8 PINS	2
RL-34634	UNIVERSAL MOUNTING SOCKET	2
RL-37266	SPRING, HOLD DOWN,	2
SC-22268	SCREW, M3x0.5X8MM PAN	2
TI-35719	TIE, TWIST LOCK 0.5" STANDOFF	7
TM-34305	TERMINAL, SCREWLESS END	5**
TM-34306	TERMINAL, GROUND, 6mm, SPRING	2
TM-34309	TERMINAL, END SECTION, SPRING	1
TM-34311	TERMINAL, FUSE HOLDER, 8mm	1
TM-34315	TERMINAL, END PLATE	1
TM-34881	TERMINAL, 3.5MM PLUGGABLE, 4 POLE	1
TM-34884	TERMINAL, 3.5MM PLUGGABLE, 6 POLE	2
TM-34889	TERMINAL, 3.5MM PLUGGABLE, 8 POLE	2
TM-34904	TERMINAL, 3-POLE GREEN, GMVSTBR	1
TM-34931	TERMINAL, 3.5MM PLUGGABLE, 7 POLE	2
TT-36119	THERMOSTAT, BI-METAL, 100 DEG CLOSE	1
WS-22299	WASHER, M3 SPLIT LOCK	2

Note: Refer to MN-35949 Rev.2 for part numbers of wiring chassis for previous models

ELECTRICAL CHASSIS – CTP 10-20EB 380-415V (5016102)



ELECTRICAL CHASSIS – CTP 10-20EB 380-415V (5016102)

ITEM	PART NUMBER	DESCRIPTION	5016102/QTY.
1	1014554	BRACKET, DIN STOP	1
2	5015350	WIRE ASSEMBLY, TBL TOP CTP ALL	1
3	5015369	WIRE ASSEMBLY, 10-20 380V 3PH	1
4	5015370	WIRE ASSEMBLY, 10-20 CTC/CTP, 380V	1
5	5015481	BRACKET ASSEMBLY, MOTOR DRIVE MOUNT	1
6	5016283	WIRE ASSEMBLY, 10-20 CTC/CTP ALL	1
7	5016379	WIRE ASSEMBLY, TBL TOP CLASSIC&	1
8	5016398	WIRE ASY, 10-20 ALL VOLTS	1
9	5016404	WIRE ASSEMBLY, 10-20 CTC/CTP ALL	1
10	5016435	WIRE ASSEMBLY, TBL TOP CTC/CTP ALL	1
11	5016436	WIRE ASSEMBLY, TBL TOP CTC/CTP ALL	1
12	5016629	WIRE ASSEMBLY, CONTROL BOARD, CTP	1
13	5016750	WIRE ASSEMBLY, 380V CTC/CTP	1
14	5016753	WIRE ASSEMBLY, TABLETOP ALL VOLTS	1
15	5016796	WIRE ASSEMBLY, 10-20 ALL VOLTS	1
16	5016893	PANEL ASSEMBLY, ELECTRICAL CHASSIS,	1
17	5017026	BRACKET, FILTER LINE, ASSEMBLY	1
18	BA-34676	BOARD, VF MOTOR DRIVE	1
19	BA-35693	BOARD, POWER SUPPLY 10-15VDC 8A	1
20	BA-37262	BOARD ASSEMBLY, MODULAR TERMINAL	1
21	CB-35777	CABLE, CAN-FAN, 4 POLE	1
22	CN-3654	CONTACTOR, 40 AMP	3
23	CN-3731	CONTACTOR, 50 AMP	2
24	CN-36605	CONTACTOR, 3POLE, WITH AC COIL	1
25	CR-35759	CONNECTOR, 2 TERMINAL	1
26	CR-35760	CONNECTOR, 4 TERMINAL	1
27	CR-35761	CONNECTOR, 6 TERMINAL	1
28	CR-35762	CONNECTOR, 7 TERMINAL	1
29	CR-35763	CONNECTOR, 8 TERMINAL	1
30	CR-35765	TERMINAL, 3.5MM PLUGGABLE, 10	1
31	CR-35766	TERMINAL, 3.5MM PLUGGABLE, 12	1
32	EV-28115	ENVELOPE, PRESS ON (NOT SHOWN)	1
33	FI-33225	FILTER LINE 115/250V 50/60HZ	1
34	FI-33990	EMI FILTER	6
35	FU-33184	5X20MM, SLOW BLO, 2 AMP, 250V	1
36	FU-33444	FUSE, DO2 NEOZED BASE & COVER	3
37	FU-33445	FUSE, DO2 NEOZED SCREW CAP	3
38	FU-33451	FUSE, TERMINAL, 6.3AMP	4
39	FU-34749	FUSE, HOLDER COVER	2
40	FU-34921	FUSE, 15 AMP, 250V, 5mm X 20mm	3
41	FU-35497	FUSE, DO2 NEOZED GAUGE RING 50A	3
42	FU-35850	FUSE, DO2 NEOZED 50A, WHITE	3
43	FU-36668	5X20MM, SLOW BLO, 5AMP, 250V	1
44	RL-33930	RELAY, 12VDC, 15A, 8 PINS	2
45	RL-34634	UNIVERSAL MOUNTING SOCKET	2
46	RL-37266	SPRING, HOLD DOWN,	2
47	SC-22268	SCREW, M3x0.5X8MM PAN	2
48	SC-22273	SCREW, M4x0.7X10MM PAN	4
49	TI-35719	TIE, TWIST LOCK 0.5" STANDOFF	7
50	TM-3780	TERMINALS, *CT, SER., 35MM	12
51	TM-3782	TERMINAL, GROUND, 35mm	1
52	TM-3786	TERMINAL, CT, 35mm WALL, PART	4
53	TM-3788	TERMINALS, MARK, L	3
54	TM-3790	TERMINALS, MARK, 1	1
55	TM-3791	TERMINALS, MARK, 2	1
56	TM-3792	TERMINALS, MARK, 3	1
57	TM-33064	JUMPER BAR, 3 POLE, 33mm SQ	4
58	TM-33479	TERMINALS, MARK, N	1
59	TM-34305	TERMINAL, SCREWLESS END	6
60	TM-34306	TERMINAL, GROUND, 6mm, SPRING	2
61	TM-34309	TERMINAL, END SECTION, SPRING	1
62	TM-34310	JUMPER BAR	3
63	TM-34437	PARTITION WALL, 1 POLE, FOR	1
64	TM-34438	TERMINAL, SPRING CLAMP, 1 POLE	6
65	TM-34881	TERMINAL, 3.5MM PLUGGABLE, 4 POLE	1
66	TM-34884	TERMINAL, 3.5MM PLUGGABLE, 6 POLE	2
67	TM-34889	TERMINAL, 3.5MM PLUGGABLE, 8 POLE	2
68	TM-34904	TERMINAL, 3-POLE GREEN, GMVSTBR	1
69	TM-34931	TERMINAL, 3.5MM PLUGGABLE, 7 POLE	2
70	TT-36119	THERMOSTAT, BI-METAL, 100 DEG CLOSE	1
71	WS-22294	WASHER, FLAT M4 18-8 S/S	4
72	WS-22299	WASHER, M3 SPLIT LOCK	2
73	WS-22300	WASHER, M4 SPLIT LOCK	4

Note: Refer to MN-35949 Rev.2 for part numbers of wiring chassis for previous models

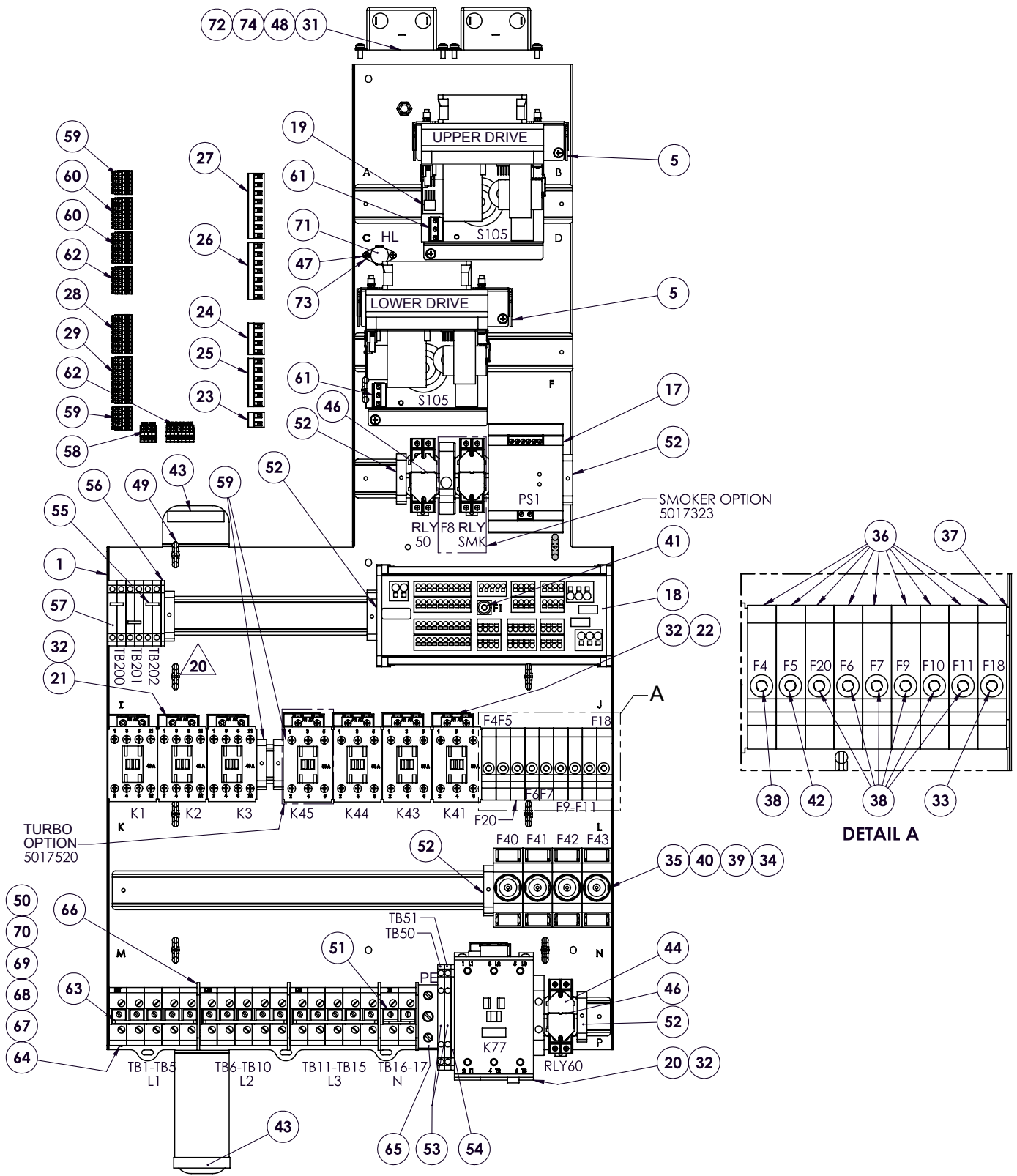
ELECTRICAL CHASSIS – CTP 10-20EB 440-480V (5016104)

* = not shown

ITEM	PART NUMBER	DESCRIPTION	5016104 /QTY.
*	1	5015351 WIRE ASM, 6-10, 10-10, 10-20, 7-20	1
*	2	5015358 WIRE ASSEMBLY, 440V POWER CVRSN	1
*	3	5015359 WIRE ASSEMBLY, 10-20 CTC/CTP	1
*	4	5015364 WIRE ASSEMBLY, 10-20, 20-10, 20-20	1
*	5	5015481 BRACKET ASSEMBLY, MOTOR DRIVE MOUNT	1
*	6	5016283 WIRE ASSEMBLY, 10-20 CTC/CTP ALL	1
*	7	5016379 WIRE ASSEMBLY, TBL TOP CLASSIC&	1
*	8	5016398 WIRE ASY, 10-20 ALL VOLTS	1
*	9	5016404 WIRE ASSEMBLY, 10-20 CTC/CTP ALL	1
*	10	5016435 WIRE ASSEMBLY, TBL TOP CTC/CTP ALL	1
*	11	5016436 WIRE ASSEMBLY, TBL TOP CTC/CTP ALL	1
*	12	5016640 WIRE ASSEMBLY, CONTROL BOARD, CTP	1
*	13	5016753 WIRE ASSEMBLY, TABLETOP ALL VOLTS	1
*	14	5016796 WIRE ASSEMBLY, 10-20 ALL VOLTS	1
*	15	5016893 PANEL ASSEMBLY, ELECTRICAL CHASSIS,	1
	16	BA-35693 BOARD, POWER SUPPLY 10-15VDC 8A	1
	17	BA-37262 BOARD ASSEMBLY, MODULAR TERMINAL	1
	18	BA-38644 BOARD, VFD, 440V 3-PHASE	1
	19	CB-35777 CABLE, CAN-FAN, 4 POLE	1
	20	CN-3654 CONTACTOR, 40 AMP	3
	21	CN-3731 CONTACTOR, 50 AMP	2
	22	CR-35759 CONNECTOR, 2 TERMINAL	1
	23	CR-35760 CONNECTOR, 4 TERMINAL	1
	24	CR-35761 CONNECTOR, 6 TERMINAL	1
	25	CR-35762 CONNECTOR, 7 TERMINAL	1
	26	CR-35763 CONNECTOR, 8 TERMINAL	1
	27	CR-35765 TERMINAL, 3.5MM PLUGGABLE, 10	1
*	28	EV-28115 ENVELOPE, PRESS ON (NOT SHOWN)	1
	29	FU-33040 45A, MP, CLASS G, 480V MED. TIME-LAG	4
	30	FU-33184 5X20MM, SLOW BLO, 2 AMP, 250V	1
	31	FU-34770 FUSE HOLDER, 3 BANK	1
	32	FU-34771 FUSE HOLDER, 2 BANK	1
	33	FU-34772 FUSE, 15 AMP	5
	34	FU-35728 FUSE HOLDER, 60A 480V CLASS G	1
	35	FU-35733 FUSE HOLDER, 60A 480V CLASS G	2
	36	FU-35734 FUSE, 60A, SLC CLASS G	3
	37	FU-36668 5X20MM, SLOW BLO, 5AMP, 250V	1
	38	LA-38833 LABEL, FUSE WARNING	1
	39	RL-33930 RELAY, 12VDC, 15A, 8 PINS	1
	40	RL-34634 UNIVERSAL MOUNTING SOCKET	3
	41	RL-36100 RELAY, DPDT, 12VDC	1
	42	RL-37266 SPRING, HOLD DOWN,	3
	43	SC-22268 SCREW, M3x0.5X8MM PAN	2
	44	TI-35719 TIE, TWIST LOCK 0.5" STANDOFF	7
	45	TM-33064 JUMPER BAR, 3 POLE, 33mm SO	3
	46	TM-34305 TERMINAL, SCREWLESS END	7
	47	TM-34306 TERMINAL, GROUND, 6mm, SPRING	2
	48	TM-34309 TERMINAL, END SECTION, SPRING	1
	49	TM-34311 TERMINAL, FUSE HOLDER, 8mm	1
	50	TM-34315 TERMINAL, END PLATE	1
	51	TM-34437 PARTITION WALL, 1 POLE, FOR	1
	52	TM-34438 TERMINAL, SPRING CLAMP, 1 POLE	5
	53	TM-34881 TERMINAL, 3.5MM PLUGGABLE, 4 POLE	1
	54	TM-34884 TERMINAL, 3.5MM PLUGGABLE, 6 POLE	2
	55	TM-34889 TERMINAL, 3.5MM PLUGGABLE, 8 POLE	2
	56	TM-34931 TERMINAL, 3.5MM PLUGGABLE, 7 POLE	2
	57	TM-34937 TERMINAL, 7-POLE GREEN, MSTB	1
	58	TM-3778 TERMINALS, *CT, SERIES, 4MM	5
	59	TM-3780 TERMINALS, *CT, SER., 35MM	9
	60	TM-3782 TERMINAL, GROUND, 35mm	1
	61	TM-3783 TERMINAL, WALL, 4MM	1
	62	TM-3786 TERMINAL, CT, 35mm WALL, PART	3
	63	TM-3788 TERMINALS, MARK, L	3
	64	TM-3790 TERMINALS, MARK, 1	1
	65	TM-3791 TERMINALS, MARK, 2	1
	66	TM-3792 TERMINALS, MARK, 3	1
	67	TT-36119 THERMOSTAT, BI-METAL, 100 DEG CLOSE	1
	68	WS-22299 WASHER, M3 SPLIT LOCK	2

Note: Refer to MN-35949 Rev.2 for part numbers of wiring chassis for previous models

ELECTRICAL CHASSIS – CTP 20-10EB 380-415V (5015878)

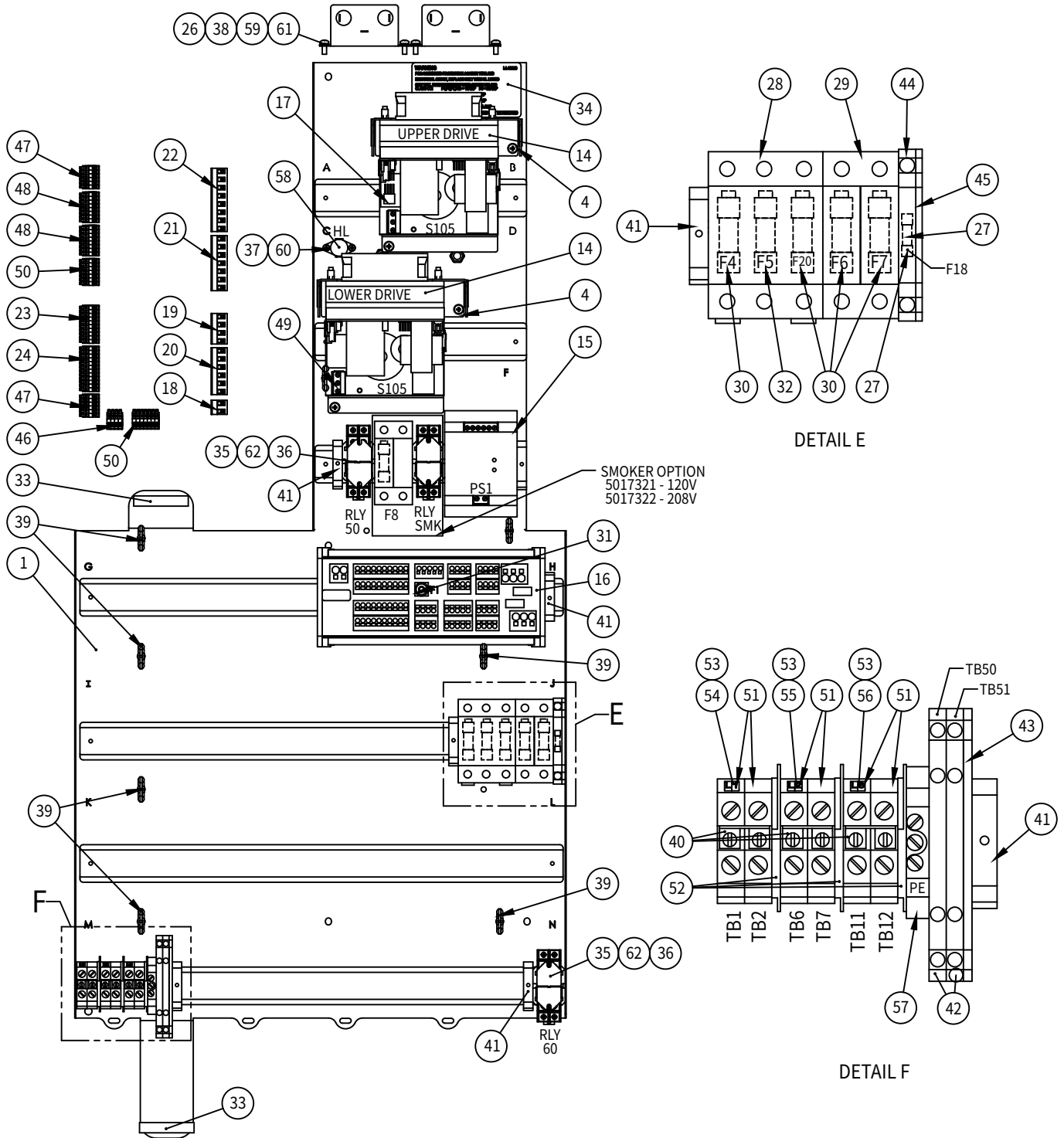


ELECTRICAL CHASSIS – CTP 20-10EB 380-415V (5015878)

ITEM	PART NUMBER	DESCRIPTION	5015878 /QTY.
1	5015271	PANEL ASSY,ELECTRICAL CHASSIS	1
2	5015366	WIRE ASSY,20-10 CTP 380V TOUCH	1
3	5015372	20,20 EB 380V WIRE ASSY	1
4	5015384	WIRE ASSY, 20-10,20-20 CTC/CTP	1
5	5015481	BRACKET ASSY,MOTOR DRIVE MOUNT	2
6	5016284	WIRE ASSY, 20-10,20-20 CTC/CTP	1
7	5016399	WIRE ASSY 20-10,20-20 ALL	1
8	5016405	WIRE ASSY 20-10,20-20 CTC/CTP	1
9	5016407	WIRE ASSY, 20-10,20-20 CTC/CTP	1
10	5016408	WIRE ASSY, 20-10,20-20 CTC/CTP	1
11	5016409	WIRE ASSY 20-10,20-20 CTC/CTP	1
12	5016630	WIRE ASSY, 20,10, 20,20 ES/ESI/ESG	1
13	5016752	WIRE ASSY, TABLE TOP CTC/CTP	1
14	5016753	WIRE ASSY, TABLETOP ALL VOLTS	1
15	5016811	WIRE ASSY, 20-10,20-20 CTC/CTP	1
16	BA-34676	BOARD, VF MOTOR DRIVE	2
17	BA-35693	BOARD,POWER SUPPLY 10-15VDC 8A	1
18	BA-37262	BOARD ASSY, MODULAR TERMINAL	1
19	CB-38353	CABLE, CAN-FAN, 4 POLE	1
20	CN-34026	CONTACTOR, 3POLE, 100AMP, 240VAC	1
21	CN-3654	CONTACTOR, 40 AMP	3
22	CN-3731	CONTACTOR, 50 AMP	3
23	CR-35759	CONNECTOR, 2 TERMINAL	1
24	CR-35760	CONNECTOR, 4 TERMINAL	1
25	CR-35761	CONNECTOR, 6 TERMINAL	1
26	CR-35762	CONNECTOR, 7 TERMINAL	1
27	CR-35763	CONNECTOR, 8 TERMINAL	1
28	CR-35765	TERMINAL, 3.5MM PLUGGABLE, 10	1
29	CR-35766	TERMINAL, 3.5MM PLUGGABLE, 12	1
30	EV-28115	ENVELOPE, PRESS ON	1
31	FI-33225	FILTER LINE 115/250V 50/60HZ	2
32	FI-33990	EMI FILTER	7
33	FU-33184	5X20MM, SLOW BLO, 2 AMP, 250V	1
34	FU-33444	FUSE, DO2 NEOZED BASE & COVER	4
35	FU-33445	FUSE, DO2 NEOZED SCREW CAP	4
36	FU-33451	FUSE, TERMINAL, 6.3AMP	9
37	FU-34749	FUSE,HOLDER COVER	1
38	FU-34921	FUSE, 15 AMP, 250V, 5mm X 20mm	7
39	FU-35497	FUSE,DO2 NEOZED GAUGE RING 50A	4
40	FU-35850	FUSE, DO2 NEOZED 50A, WHITE	4
41	FU-36668	5X20MM, SLOW BLO, 5AMP, 250V	1
42	FU-38406	FUSE, 20 AMP, 250V, 5mm X 20mm	1
43	GS-23622	GASKET, FOAM 2" LENGTH	2
44	RL-33930	RELAY,12VDC,15A,8 PINS	2
45	RL-34634	UNIVERSAL MOUNTING SOCKET	2
46	RL-37266	SPRING, HOLD DOWN,	2
47	SC-22268	SCREW,M3x0.5X8MM PAN	2
48	SC-22273	SCREW,M4x0.7X10MM PAN	4
49	TI-35719	TIE, TWIST LOCK 0.5" STANDOFF	9
50	TM-33479	TERMINALS, MARK, N	1
51	TM-33837	JUMPER STRIP	1
52	TM-34305	TERMINAL, SCREWLESS END	8
53	TM-34306	TERMINAL, GROUND, 6mm, SPRING	2
54	TM-34309	TERMINAL,END SECTION, SPRING	1
55	TM-34310	JUMPER BAR	3
56	TM-34437	PARTITION WALL,1 POLE, FOR	1
57	TM-34438	TERMINAL, SPRING CLAMP, 1 POLE	6
58	TM-34881	TERMINAL, 3.5MM PLUGGABLE, 4 POLE	1
59	TM-34884	TERMINAL, 3.5MM PLUGGABLE, 6 POLE	2
60	TM-34889	TERMINAL, 3.5MM PLUGGABLE, 8 POLE	2
61	TM-34904	TERMINAL, 3-POLE GREEN, GMVSTBR	2
62	TM-34931	TERMINAL, 3.5MM PLUGGABLE, 7 POLE	2
63	TM-35982	TERMINAL, JUMPER BAR 5 POLE	3
64	TM-3780	TERMINALS,*CT,SER.,35MM	17
65	TM-3782	TERMINAL, GROUND, 35mm	1
66	TM-3786	TERMINAL, CT, 35mm WALL, PART	4
67	TM-3788	TERMINALS, MARK, L	3
68	TM-3790	TERMINALS, MARK, 1	1
69	TM-3791	TERMINALS, MARK, 2	1
70	TM-3792	TERMINALS, MARK, 3	1
71	TT-36119	THERMOSTAT, BI-METAL,100 DEG CLOSE	1
72	WS-22294	WASHER, FLAT M4 18-8 S/S	4
73	WS-22299	WASHER, M3 SPLIT LOCK	2
74	WS-22300	WASHER, M4 SPLIT LOCK	4

Note: Refer to M1

ELECTRICAL CHASSIS – CTP 20-10G/20-20G 120-208V (5016057)



ELECTRICAL CHASSIS – CTP 20-10G/20-20G 120-208V (5016057)

CORE CHASSIS PARTS, REFERENCE 5018420 (ADD TO 5016057)

* = not shown

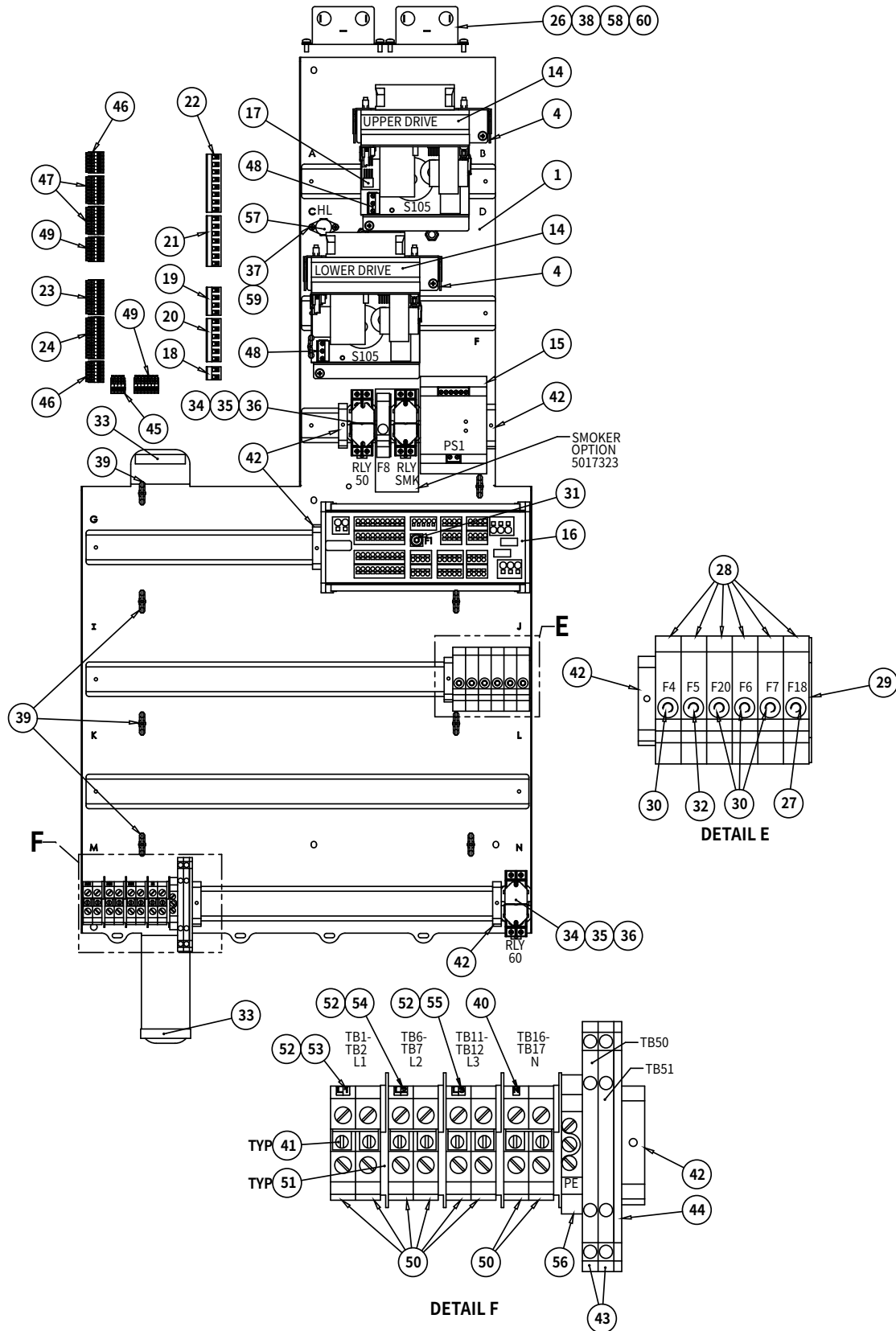
ITEM	PART NUMBER	DESCRIPTION	5016020 /QTY.
1	5015271	PANEL ASSEMBLY, ELECTRICAL CHASSIS	1
* 3	5015384	WIRE ASSEMBLY, 20-10, 20-20 CTC/CTP	1
* 5	5016284	WIRE ASSEMBLY, 20-10, 20-20 CTC/CTP	1
* 7	5016407	WIRE ASSEMBLY, 20-10, 20-20 CTC/CTP	1
* 8	5016408	WIRE ASSEMBLY, 20-10, 20-20 CTC/CTP	1
* 9	5016409	WIRE ASSEMBLY 20-10, 20-20 CTC/CTP	1
* 10	5016630	WIRE ASSEMBLY, CONTROL BOARD CTP	1
* 11	5016751	WIRE ASSEMBLY, 20-10/20-20 208V,	1
* 12	5016753	WIRE ASSEMBLY, TABLETOP ALL VOLTS	1
* 13	5016811	WIRE ASSEMBLY, 20-10, 20-20 CTC/CTP	1
15	BA-35693	BOARD, POWER SUPPLY 10-15VDC 8A	1
16	BA-37262	BOARD ASSEMBLY, MODULAR TERMINAL	1
18	CR-35759	CONNECTOR, 2 TERMINAL	1
19	CR-35760	CONNECTOR, 4 TERMINAL	1
20	CR-35761	CONNECTOR, 6 TERMINAL	1
22	CR-35763	CONNECTOR, 8 TERMINAL	1
23	CR-35765	TERMINAL, 3.5MM PLUGGABLE, 10	1
27	FU-33184	5X20MM, SLOW BLO, 2 AMP, 250V	1
28	FU-34770	FUSE HOLDER, 3 BANK	1
29	FU-34771	FUSE HOLDER, 2 BANK	1
30	FU-34772	FUSE, 15 AMP	5
31	FU-36668	5X20MM, SLOW BLO, 5AMP, 250V	1
32	FU-38210	FUSE, CCMR, 20A, 600V, DUAL ELEM.	1
33	GS-23622	GASKET, FOAM 2" LENGTH	2
34	LA-38833	LABEL, FUSE WARNING	1
35	RL-33930	RELAY, 12VDC, 15A, 8 PINS	2
36	RL-37266	SPRING, HOLD DOWN,	2
37	SC-22268	SCREW, M3x0.5X8MM PAN	2
39	TI-35719	TIE, TWIST LOCK 0.5" STANDOFF	9
40	TM-33675	JUMPER STRIP	3
41	TM-34305	TERMINAL, SCREWLESS END	6
44	TM-34311	TERMINAL, FUSE HOLDER, 8mm	1
45	TM-34315	TERMINAL, END PLATE	1
46	TM-34881	TERMINAL, 3.5MM PLUGGABLE, 4 POLE	1
47	TM-34884	TERMINAL, 3.5MM PLUGGABLE, 6 POLE	2
48	TM-34889	TERMINAL, 3.5MM PLUGGABLE, 8 POLE	2
49	TM-34904	TERMINAL, 3-POLE GREEN, GMVSTBR	2
50	TM-34931	TERMINAL, 3.5MM PLUGGABLE, 7 POLE	2
58	TT-36119	THERMOSTAT, BI-METAL, 100 DEG CLOSE	1
60	WS-22299	WASHER, M3 SPLIT LOCK	2
62	RL-34634	UNIVERSAL MOUNTING SOCKET	2

REMAINING PARTS TO BUILD CHASSIS 5016057

ITEM	PART NUMBER	DESCRIPTION	5016057 /QTY.
* 2	5015356	WIRE ASSEMBLY, 20-20 120-208V-380V	1
* 4	5015481	BRACKET ASSEMBLY, MOTOR DRIVE MOUNT	2
* 6	5016401	WIRE ASSEMBLY 20-10, 20-10 GAS	1
14	BA-34676	BOARD, VF MOTOR DRIVE	2
17	CB-38353	CABLE, CAN-FAN, 4 POLE	1
21	CR-35762	CONNECTOR, 7 TERMINAL	1
24	CR-35766	TERMINAL, 3.5MM PLUGGABLE, 12	1
* 25	EV-28115	ENVELOPE, PRESS ON (NOT SHOWN)	1
26	FI-33225	FILTER LINE 115/250V 50/60HZ	2
38	SC-22273	SCREW, M4x0.7X10MM PAN	4
40	TM-33675	JUMPER STRIP	3
41	TM-34305	TERMINAL, SCREWLESS END	6
49	TM-34306	TERMINAL, GROUND, 6mm, SPRING	2
43	TM-34309	TERMINAL, END SECTION, SPRING	1
51	TM-3779	TERMINAL BLOCK	6
52	TM-3785	TERMINALS, *CT, WALL, PART., 16MM	3
53	TM-3788	TERMINALS, MARK, L	3
54	TM-3790	TERMINALS, MARK, 1	1
55	TM-3791	TERMINALS, MARK, 2	1
56	TM-3792	TERMINALS, MARK, 3	1
57	TM-3932	TERMINAL, GROUND	1
59	WS-22294	WASHER, FLAT M4 18-8 S/S	4
61	WS-22300	WASHER, M4 SPLIT LOCK	4
62	RL-34634	UNIVERSAL MOUNTING SOCKET	2

Note: Refer to MN-35949 Rev.2 for part numbers of wiring chassis for previous models

ELECTRICAL CHASSIS – CTP 20-10G/20-20G 380-415V (5016058)

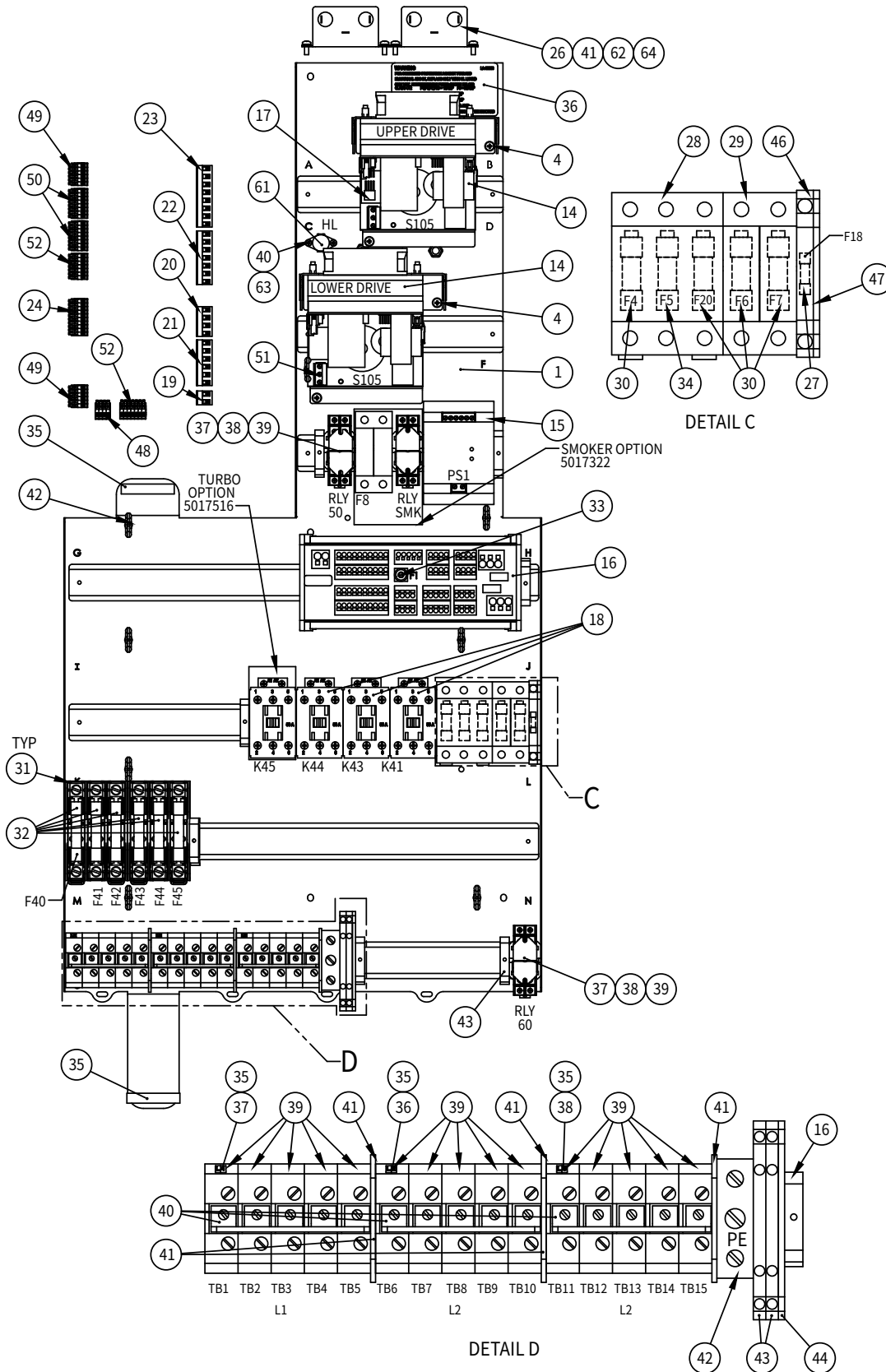


ELECTRICAL CHASSIS – CTP 20-10G/20-20G 380-415V (5016058)

ITEM	PART NUMBER	DESCRIPTION	5016058 /QTY.
1	5015271	PANEL ASSEMBLY, ELECTRICAL CHASSIS	1
2	5015356	WIRE ASSEMBLY, 20-20 120-208V-380V	1
3	5015384	WIRE ASSEMBLY, 20-10, 20-20 CTC/CTP	1
4	5015481	BRACKET ASSEMBLY, MOTOR DRIVE MOUNT	2
5	5016284	WIRE ASSEMBLY, 20-10, 20-20 CTC/CTP	1
6	5016401	WIRE ASSEMBLY 20-10, 20-10 GAS	1
7	5016407	WIRE ASSEMBLY, 20-10, 20-20 CTC/CTP	1
8	5016408	WIRE ASSEMBLY, 20-10, 20-20 CTC/CTP	1
9	5016409	WIRE ASSEMBLY 20-10, 20-20 CTC/CTP	1
10	5016630	WIRE ASSEMBLY, CONTROL BOARD CTP	1
11	5016752	WIRE ASSEMBLY, TABLE TOP CTC/CTP	1
12	5016753	WIRE ASSEMBLY, TABLETOP ALL VOLTS	1
13	5016811	WIRE ASSEMBLY, 20-10, 20-20 CTC/CTP	1
14	BA-34676	BOARD, VF MOTOR DRIVE	2
15	BA-35693	BOARD, POWER SUPPLY 10-15VDC 8A	1
16	BA-37262	BOARD ASSEMBLY, MODULAR TERMINAL	1
17	CB-38353	CABLE, CAN-FAN, 4 POLE	1
18	CR-35759	CONNECTOR, 2 TERMINAL	1
19	CR-35760	CONNECTOR, 4 TERMINAL	1
20	CR-35761	CONNECTOR, 6 TERMINAL	1
21	CR-35762	CONNECTOR, 7 TERMINAL	1
22	CR-35763	CONNECTOR, 8 TERMINAL	1
23	CR-35765	TERMINAL, 3.5MM PLUGGABLE, 10	1
24	CR-35766	TERMINAL, 3.5MM PLUGGABLE, 12	1
25	EV-28115	ENVELOPE, PRESS ON (NOT SHOWN)	1
26	FI-33225	FILTER LINE 115/250V 50/60HZ	2
27	FU-33184	5X20MM, SLOW BLO, 2 AMP, 250V	1
28	FU-33451	FUSE, TERMINAL, 6.3AMP	6
29	FU-34749	FUSE, HOLDER COVER	1
30	FU-34921	FUSE, 15 AMP, 250V, 5mm X 20mm	4
31	FU-36668	5X20MM, SLOW BLO, 5AMP, 250V	1
32	FU-38406	FUSE, 20 AMP, 250V, 5mm X 20mm	1
33	GS-23622	GASKET, FOAM 2" LENGTH	2
34	RL-33930	RELAY, 12VDC, 15A, 8 PINS	2
35	RL-34634	UNIVERSAL MOUNTING SOCKET	2
36	RL-37266	SPRING, HOLD DOWN,	2
37	SC-22268	SCREW, M3x0.5X8MM PAN	2
38	SC-22273	SCREW, M4x0.7X10MM PAN	4
39	TI-35719	TIE, TWIST LOCK 0.5" STANDOFF	9
40	TM-33479	TERMINALS, MARK, N	1
41	TM-33675	JUMPER STRIP	4
42	TM-34305	TERMINAL, SCREWLESS END	6
43	TM-34306	TERMINAL, GROUND, 6mm, SPRING	2
44	TM-34309	TERMINAL, END SECTION, SPRING	1
45	TM-34881	TERMINAL, 3.5MM PLUGGABLE, 4 POLE	1
46	TM-34884	TERMINAL, 3.5MM PLUGGABLE, 6 POLE	2
47	TM-34889	TERMINAL, 3.5MM PLUGGABLE, 8 POLE	2
48	TM-34904	TERMINAL, 3-POLE GREEN, GMVSTBR	2
49	TM-34931	TERMINAL, 3.5MM PLUGGABLE, 7 POLE	2
50	TM-3779	TERMINAL BLOCK	8
51	TM-3785	TERMINALS, *CT, WALL, PART., 16MM	4
52	TM-3788	TERMINALS, MARK, L	3
53	TM-3790	TERMINALS, MARK, 1	1
54	TM-3791	TERMINALS, MARK, 2	1
55	TM-3792	TERMINALS, MARK, 3	1
56	TM-3932	TERMINAL, GROUND	1
57	TT-36119	THERMOSTAT, BI-METAL, 100 DEG CLOSE	1
58	WS-22294	WASHER, FLAT M4 18-8 S/S	4
59	WS-22299	WASHER, M3 SPLIT LOCK	2
60	WS-22300	WASHER, M4 SPLIT LOCK	4

Note: Refer to MN-35949 Rev.2 for part numbers of wiring chassis for previous models

ELECTRICAL CHASSIS – CTP 20-10E/20-20E 208-240V 3PH (5015327)



ELECTRICAL CHASSIS – CTP 20-10E/20-20E 208-240V 3PH (5015327)

CORE CHASSIS PARTS, REFERENCE 5018420 (ADD TO 5015327)

* = not shown

** = non-parametric BOM quantities

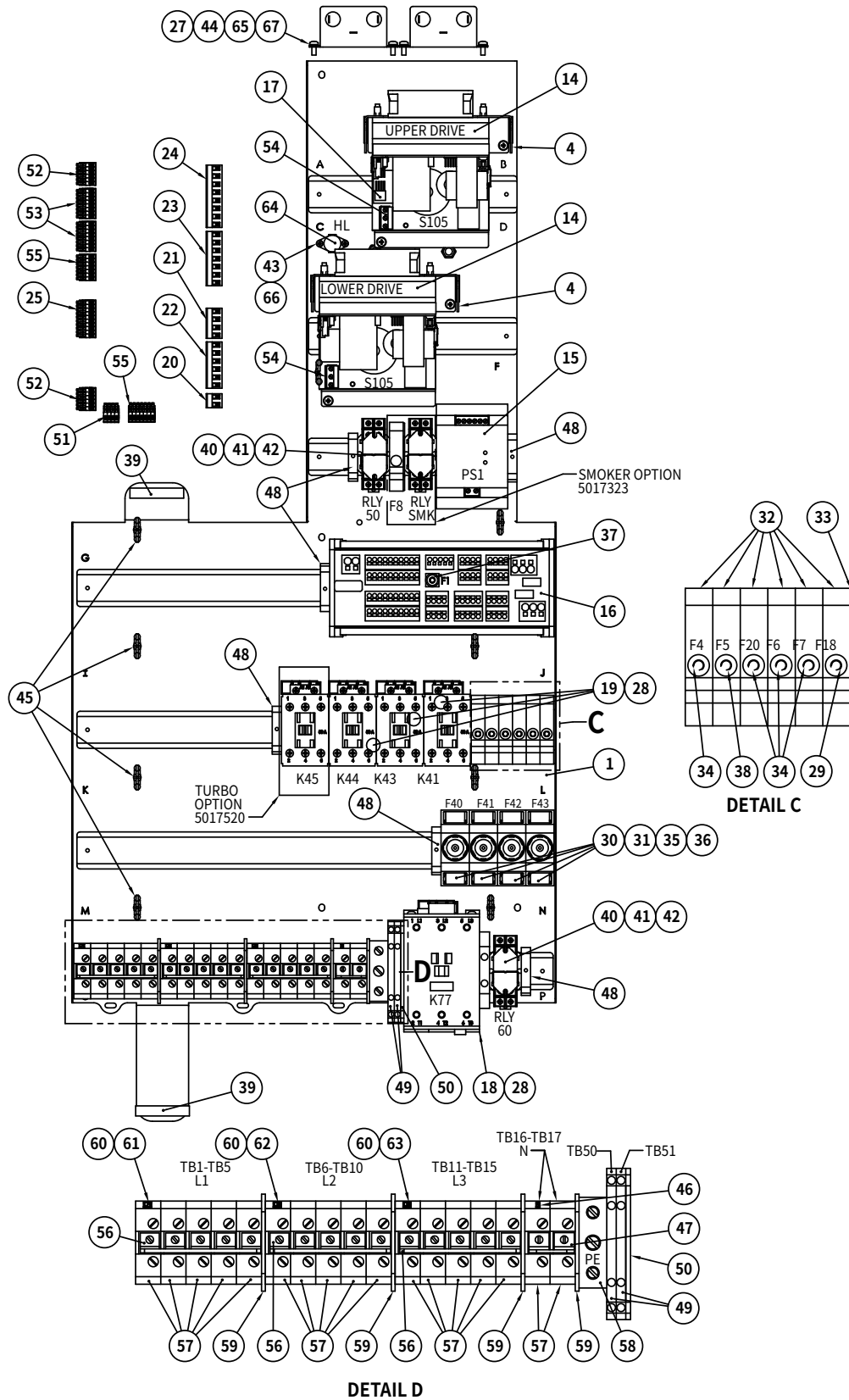
ITEM	PART NUMBER	DESCRIPTION	5018420 /QTY.
1	5015271	PANEL ASSEMBLY, ELECTRICAL CHASSIS	1
* 3	5015384	WIRE ASSEMBLY, 20-10, 20-20 CTC/CTP	1
* 5	5016284	WIRE ASSEMBLY, 20-10, 20-20 CTC/CTP	1
* 7	5016407	WIRE ASSEMBLY, 20-10, 20-20 CTC/CTP	1
* 8	5016408	WIRE ASSEMBLY, 20-10, 20-20 CTC/CTP	1
* 9	5016409	WIRE ASSEMBLY 20-10, 20-20 CTC/CTP	1
* 10	5016630	WIRE ASSEMBLY, CONTROL BOARD CTP	1
* 11	5016751	WIRE ASSEMBLY, 20-10/20-20 208V.	1
* 12	5016753	WIRE ASSEMBLY, TABLETOP ALL VOLTS	1
* 13	5016811	WIRE ASSEMBLY, 20-10, 20-20 CTC/CTP	1
15	BA-35693	BOARD, POWER SUPPLY 10-15VDC 8A	1
16	BA-37262	BOARD ASSEMBLY, MODULAR TERMINAL	1
19	CR-35759	CONNECTOR, 2 TERMINAL	1
20	CR-35760	CONNECTOR, 4 TERMINAL	1
21	CR-35761	CONNECTOR, 6 TERMINAL	1
23	CR-35763	CONNECTOR, 8 TERMINAL	1
24	CR-35765	TERMINAL, 3.5MM PLUGGABLE, 10	1
27	FU-33184	5X20MM, SLOW BLO, 2 AMP, 250V	1
28	FU-34770	FUSE HOLDER, 3 BANK	1
29	FU-34771	FUSE HOLDER, 2 BANK	1
30	FU-34772	FUSE, 15 AMP	4
33	FU-36668	5X20MM, SLOW BLO, 5AMP, 250V	1
34	FU-38210	FUSE, CCMR, 20A, 600V, DUAL ELEM.	1
35	GS-23622	GASKET, FOAM 2" LENGTH	2
36	LA-38833	LABEL, FUSE WARNING	1
37	RL-33930	RELAY, 12VDC, 15A, 8 PINS	2
38	RL-34634	UNIVERSAL MOUNTING SOCKET	2
39	RL-37266	SPRING, HOLD DOWN,	2
40	SC-22268	SCREW, M3x0.5X8MM PAN	2
42	TI-35719	TIE, TWIST LOCK 0.5" STANDOFF	9
43	TM-34305	TERMINAL, SCREWLESS END	5
46	TM-34311	TERMINAL, FUSE HOLDER, 8mm	1
47	TM-34315	TERMINAL, END PLATE	1
48	TM-34881	TERMINAL, 3.5MM PLUGGABLE, 4 POLE	1
49	TM-34884	TERMINAL, 3.5MM PLUGGABLE, 6 POLE	2
50	TM-34889	TERMINAL, 3.5MM PLUGGABLE, 8 POLE	2
51	TM-34904	TERMINAL, 3-POLE GREEN, GMVSTBR	2
52	TM-34931	TERMINAL, 3.5MM PLUGGABLE, 7 POLE	2
61	TT-36119	THERMOSTAT, BI-METAL, 100 DEG CLOSE	1
63	WS-22299	WASHER, M3 SPLIT LOCK	2

REMAINING PARTS TO BUILD CHASSIS 5015327

ITEM	PART NUMBER	DESCRIPTION	5015327 /QTY.
* 2	5015347	WIRE ASSEMBLY, 20-10 208V 3PH	1
* 4	5015481	BRACKET ASSEMBLY, MOTOR DRIVE MOUNT	2
* 6	5016405	WIRE ASSEMBLY 20-10, 20-20 CTC/CTP	1
14	BA-34676	BOARD, VF MOTOR DRIVE	2
17	CB-38353	CABLE, CAN-FAN, 4 POLE	1
18	CN-3731	CONTACTOR, 50 AMP	3
22	CR-35762	CONNECTOR, 7 TERMINAL	1
* 25	EV-28115	ENVELOPE, PRESS ON (NOT SHOWN)	1
26	FI-33225	FILTER LINE 115/250V 50/60HZ	2
31	FU-35728	FUSE HOLDER, 60A 480V CLASS G	2
32	FU-35734	FUSE, 60A, SLC CLASS G	6
38	RL-34634	UNIVERSAL MOUNTING SOCKET	2
41	SC-22273	SCREW, M4x0.7X10MM PAN	4
43	TM-34305	TERMINAL, SCREWLESS END	8
44	TM-34306	TERMINAL, GROUND, 6mm, SPRING	2
45	TM-34309	TERMINAL, END SECTION, SPRING	1
49	TM-34884	TERMINAL, 3.5MM PLUGGABLE, 6 POLE	1**
50	TM-34889	TERMINAL, 3.5MM PLUGGABLE, 8 POLE	1**
53	TM-35982	TERMINAL, JUMPER BAR 5 POLE	3
54	TM-3780	TERMINALS, *CT, SER., 35MM	15
55	TM-3782	TERMINAL, GROUND, 35mm	1
56	TM-3786	TERMINAL, CT, 35mm WALL, PART	3
57	TM-3788	TERMINALS, MARK, L	3
58	TM-3790	TERMINALS, MARK, 1	1
59	TM-3791	TERMINALS, MARK, 2	1
60	TM-3792	TERMINALS, MARK, 3	1
62	WS-22294	WASHER, FLAT M4 18-8 S/S	4
64	WS-22300	WASHER, M4 SPLIT LOCK	4

Note: Refer to MN-35949 Rev.2 for part numbers of wiring chassis for previous models

ELECTRICAL CHASSIS – CTP 20-10E 380-415V (5015879)

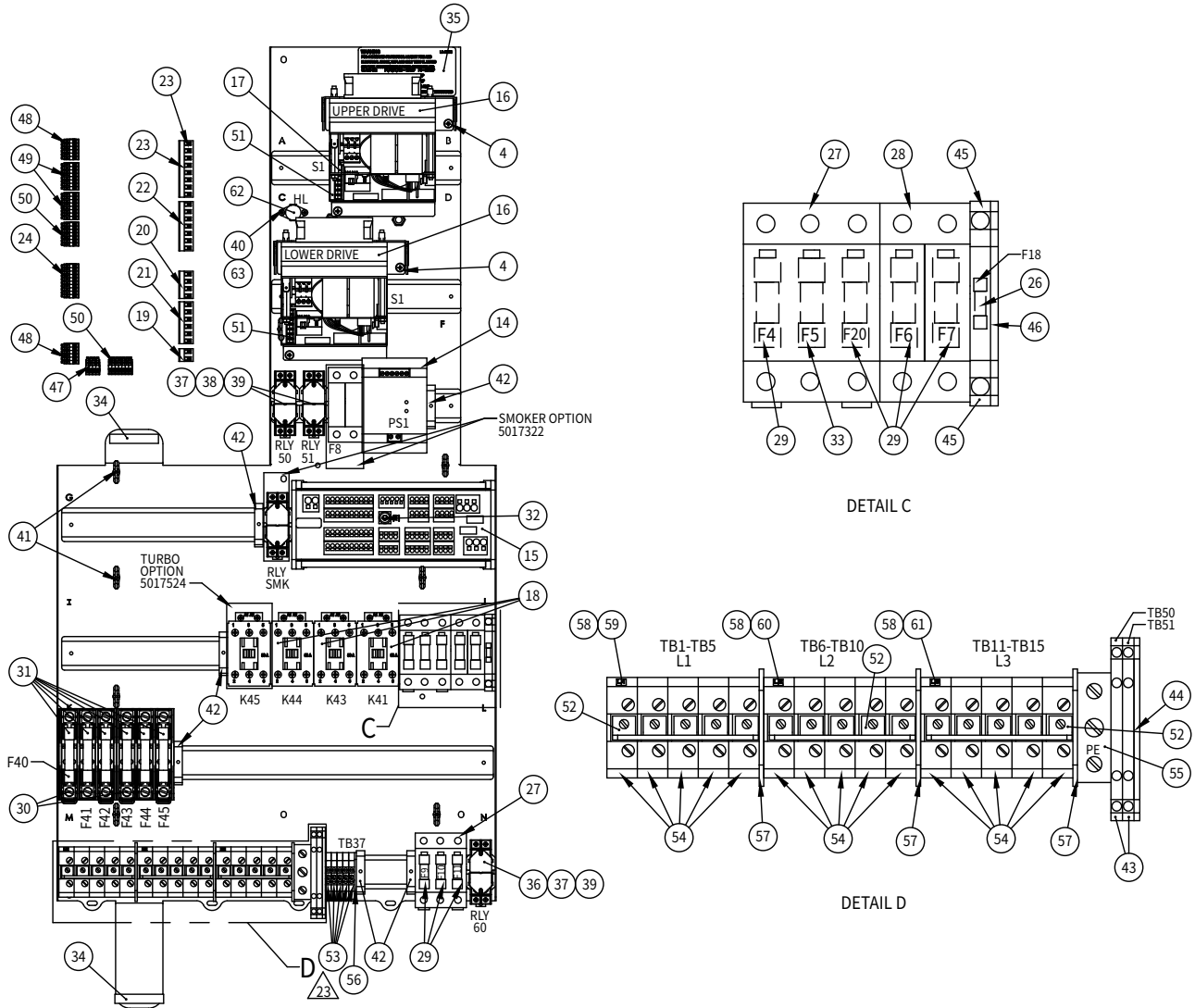


ELECTRICAL CHASSIS – CTP 20-10E 380-415V (5015879)

ITEM	PART NUMBER	DESCRIPTION	5015879 /QTY.
1	5015271	PANEL ASSEMBLY,ELECTRICAL CHASSIS	1
* 2	5015366	WIRE ASSEMBLY,20-10 CTP 380V TOUCH	1
* 3	5015384	WIRE ASSEMBLY, 20-10,20-20 CTC/CTP	1
4	5015481	BRACKET ASSEMBLY,MOTOR DRIVE MOUNT	2
* 5	5016284	WIRE ASSEMBLY, 20-10,20-20 CTC/CTP	1
* 6	5016405	WIRE ASSEMBLY 20-10,20-20 CTC/CTP	1
* 7	5016407	WIRE ASSEMBLY, 20-10,20-20 CTC/CTP	1
* 8	5016408	WIRE ASSEMBLY, 20-10,20-20 CTC/CTP	1
* 9	5016409	WIRE ASSEMBLY 20-10,20-20 CTC/CTP	1
* 10	5016630	WIRE ASSEMBLY, CONTROL BOARD CTP	1
* 11	5016752	WIRE ASSEMBLY, TABLE TOP CTC/CTP	1
* 12	5016753	WIRE ASSEMBLY, TABLETOP ALL VOLTS	1
* 13	5016811	WIRE ASSEMBLY, 20-10,20-20 CTC/CTP	1
14	BA-34676	BOARD, VF MOTOR DRIVE	2
15	BA-35693	BOARD,POWER SUPPLY 10-15VDC 8A	1
16	BA-37262	BOARD ASSEMBLY, MODULAR TERMINAL	1
17	CB-38353	CABLE, CAN-FAN, 4 POLE	1
18	CN-34026	CONTACTOR, 3POLE, 100AMP, 240VAC	1
19	CN-3731	CONTACTOR, 50 AMP	3
20	CR-35759	CONNECTOR, 2 TERMINAL	1
21	CR-35760	CONNECTOR, 4 TERMINAL	1
22	CR-35761	CONNECTOR, 6 TERMINAL	1
23	CR-35762	CONNECTOR, 7 TERMINAL	1
24	CR-35763	CONNECTOR, 8 TERMINAL	1
25	CR-35765	TERMINAL, 3.5MM PLUGGABLE, 10	1
* 26	EV-28115	ENVELOPE, PRESS ON (NOT SHOWN)	1
27	FI-33225	FILTER LINE 115/250V 50/60HZ	2
28	FI-33990	EMI FILTER	4
29	FU-33184	5X20MM, SLOW BLO, 2 AMP, 250V	1
30	FU-33444	FUSE, DO2 NEOZED BASE & COVER	4
31	FU-33445	FUSE, DO2 NEOZED SCREW CAP	4
32	FU-33451	FUSE, TERMINAL, 6.3AMP	6
33	FU-34749	FUSE,HOLDER COVER	1
34	FU-34921	FUSE, 15 AMP, 250V, 5mm X 20mm	4
35	FU-35497	FUSE,DO2 NEOZED GAUGE RING 50A	4
36	FU-35850	FUSE, DO2 NEOZED 50A, WHITE	4
37	FU-36668	5X20MM, SLOW BLO, 5AMP, 250V	1
38	FU-38406	FUSE, 20 AMP, 250V, 5mm X 20mm	1
39	GS-23622	GASKET, FOAM 2" LENGTH	2
40	RL-33930	RELAY,12VDC,15A,8 PINS	2
41	RL-34634	UNIVERSAL MOUNTING SOCKET	2
42	RL-37266	SPRING, HOLD DOWN,	2
43	SC-22268	SCREW,M3x0.5X8MM PAN	2
44	SC-22273	SCREW,M4x0.7X10MM PAN	4
45	TI-35719	TIE, TWIST LOCK 0.5" STANDOFF	9
46	TM-33479	TERMINALS, MARK, N	1
47	TM-33837	JUMPER STRIP	1
48	TM-34305	TERMINAL, SCREWLESS END	6
49	TM-34306	TERMINAL, GROUND, 6mm, SPRING	2
50	TM-34309	TERMINAL,END SECTION, SPRING	1
51	TM-34881	TERMINAL, 3.5MM PLUGGABLE, 4 POLE	1
52	TM-34884	TERMINAL, 3.5MM PLUGGABLE, 6 POLE	2
53	TM-34889	TERMINAL, 3.5MM PLUGGABLE, 8 POLE	2
54	TM-34904	TERMINAL, 3-POLE GREEN, GMVSTBR	2
55	TM-34931	TERMINAL, 3.5MM PLUGGABLE, 7 POLE	2
56	TM-35982	TERMINAL, JUMPER BAR 5 POLE	3
57	TM-3780	TERMINALS,CT,SER.,35MM	17
58	TM-3782	TERMINAL, GROUND, 35mm	1
59	TM-3786	TERMINAL, CT, 35mm WALL, PART	4
60	TM-3788	TERMINALS, MARK, L	3
61	TM-3790	TERMINALS, MARK, 1	1
62	TM-3791	TERMINALS, MARK, 2	1
63	TM-3792	TERMINALS, MARK, 3	1
64	TT-36119	THERMOSTAT, BI-METAL,100 DEG CLOSE	1
65	WS-22294	WASHER, FLAT M4 18-8 S/S	4
66	WS-22299	WASHER, M3 SPLIT LOCK	2
67	WS-22300	WASHER, M4 SPLIT LOCK	4

Note: Refer to MN-35949 Rev.2 for part numbers of wiring chassis for previous models

ELECTRICAL CHASSIS – CTP 20-10E 440-480V (5015881)

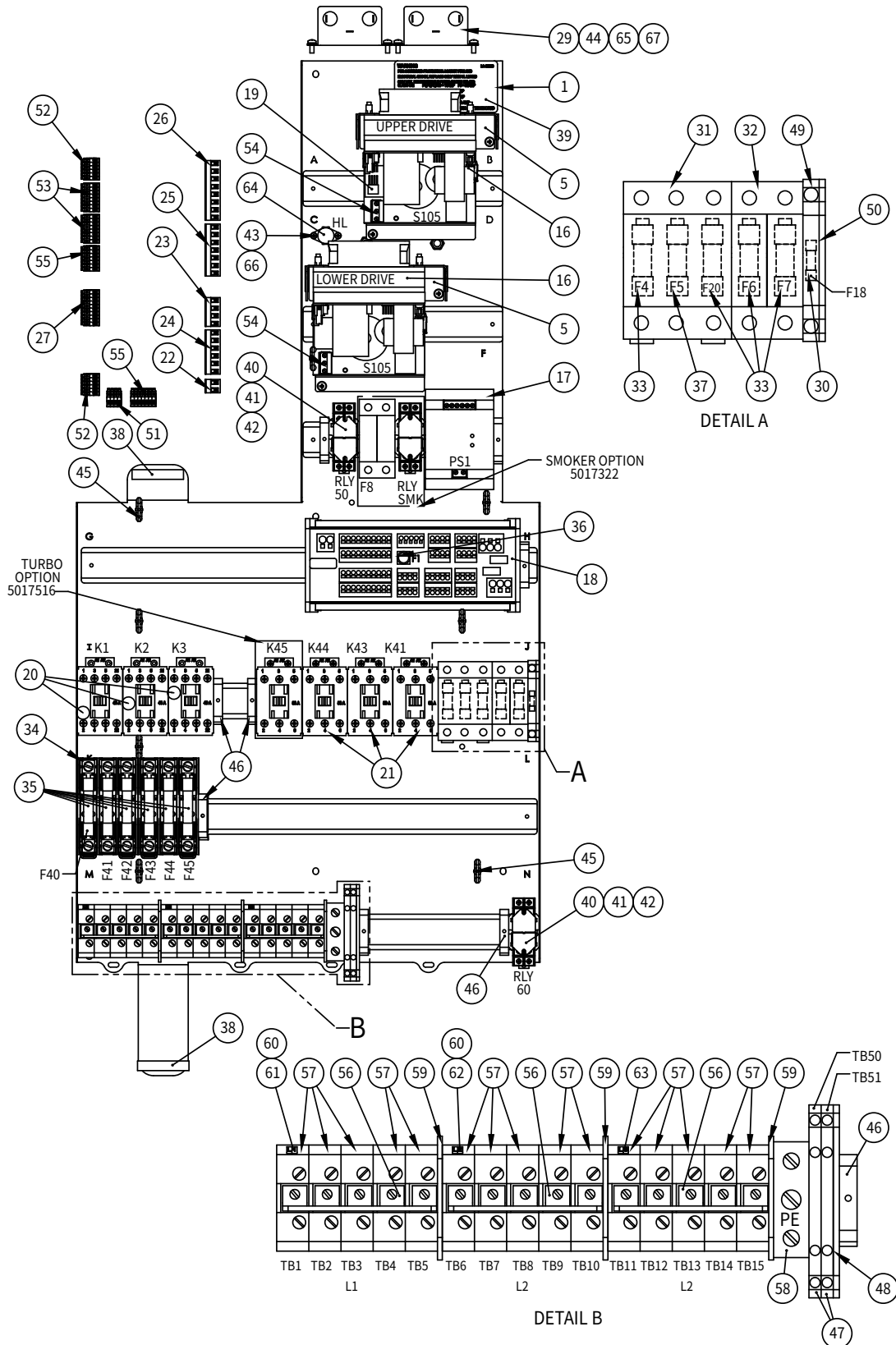


ELECTRICAL CHASSIS – CTP 20-10E 440-480V (5015881)

ITEM	PART NUMBER	DESCRIPTION	5015881 /QTY.
1	5015271	PANEL ASSEMBLY, ELECTRICAL CHASSIS	1
2	5015361	WIRE ASSEMBLY, 20-10 CTP 440V	1
3	5015383	WIRE ASSEMBLY, 20-10, 20-20 CTP	1
4	5015481	BRACKET ASSEMBLY, MOTOR DRIVE MOUNT	2
5	5016284	WIRE ASSEMBLY, 20-10, 20-20 CTC/CTP	1
6	5016405	WIRE ASSEMBLY 20-10, 20-20 CTC/CTP	1
7	5016406	WIRE ASSEMBLY 20-10, 20-20 CTP	1
8	5016407	WIRE ASSEMBLY, 20-10, 20-20 CTC/CTP	1
9	5016408	WIRE ASSEMBLY, 20-10, 20-20 CTC/CTP	1
10	5016409	WIRE ASSEMBLY 20-10, 20-20 CTC/CTP	1
11	5016641	WIRE ASSEMBLY, 20.10, 20.20 ES/ESI/ESG	1
12	5016753	WIRE ASSEMBLY, TABLETOP ALL VOLTS	1
13	5016811	WIRE ASSEMBLY, 20-10, 20-20 CTC/CTP	1
14	BA-35693	BOARD, POWER SUPPLY 10-15VDC 8A	1
15	BA-37262	BOARD ASSEMBLY, MODULAR TERMINAL	1
16	BA-38644	BOARD, VFD, 440V 3-PHASE	2
17	CB-38353	CABLE, CAN-FAN, 4 POLE	1
18	CN-3731	CONTACTOR, 50 AMP	3
19	CR-35759	CONNECTOR, 2 TERMINAL	1
20	CR-35760	CONNECTOR, 4 TERMINAL	1
21	CR-35761	CONNECTOR, 6 TERMINAL	1
22	CR-35762	CONNECTOR, 7 TERMINAL	1
23	CR-35763	CONNECTOR, 8 TERMINAL	1
24	CR-35765	TERMINAL, 3.5MM PLUGGABLE, 10	1
25	EV-28115	ENVELOPE, PRESS ON (NOT SHOWN)	1
26	FU-33184	5X20MM, SLOW BLO, 2 AMP, 250V	1
27	FU-34770	FUSE HOLDER, 3 BANK	2
28	FU-34771	FUSE HOLDER, 2 BANK	1
29	FU-34772	FUSE, 15 AMP	7
30	FU-35728	FUSE HOLDER, 60A 480V CLASS G	2
31	FU-35734	FUSE, 60A, SLC CLASS G	6
32	FU-36668	5X20MM, SLOW BLO, 5AMP, 250V	1
33	FU-38210	FUSE, CCMR, 20A, 600V, DUAL ELEM.	1
34	GS-23622	GASKET, FOAM 2" LENGTH	2
35	LA-38833	LABEL, FUSE WARNING	1
36	RL-33930	RELAY, 12VDC, 15A, 8 PINS	1
37	RL-34634	UNIVERSAL MOUNTING SOCKET	3
38	RL-36100	RELAY, DPDT, 12VDC	2
39	RL-37266	SPRING, HOLD DOWN,	3
40	SC-22268	SCREW, M3x0.5X8MM PAN	2
41	TI-35719	TIE, TWIST LOCK 0.5" STANDOFF	9
42	TM-34305	TERMINAL, SCREWLESS END	6
43	TM-34306	TERMINAL, GROUND, 6mm, SPRING	2
44	TM-34309	TERMINAL, END SECTION, SPRING	1
45	TM-34311	TERMINAL, FUSE HOLDER, 8mm	1
46	TM-34315	TERMINAL, END PLATE	1
47	TM-34881	TERMINAL, 3.5MM PLUGGABLE, 4 POLE	1
48	TM-34884	TERMINAL, 3.5MM PLUGGABLE, 6 POLE	2
49	TM-34889	TERMINAL, 3.5MM PLUGGABLE, 8 POLE	2
50	TM-34931	TERMINAL, 3.5MM PLUGGABLE, 7 POLE	2
51	TM-34937	TERMINAL, 7-POLE GREEN, MSTB	2
52	TM-35982	TERMINAL, JUMPER BAR 5 POLE	3
53	TM-3778	TERMINALS, *CT, SERIES, 4MM	5
54	TM-3780	TERMINALS, *CT, SER., 35MM	15
55	TM-3782	TERMINAL, GROUND, 35mm	1
56	TM-3783	TERMINAL, WALL, 4MM	1
57	TM-3786	TERMINAL, CT, 35mm WALL, PART	3
58	TM-3788	TERMINALS, MARK, L	3
59	TM-3790	TERMINALS, MARK, 1	1
60	TM-3791	TERMINALS, MARK, 2	1
61	TM-3792	TERMINALS, MARK, 3	1
62	TT-36119	THERMOSTAT, BI-METAL, 100 DEG CLOSE	1
63	WS-22299	WASHER, M3 SPLIT LOCK	2

Note: Refer to MN-35949 Rev.2 for part numbers of wiring chassis for previous models

ELECTRICAL CHASSIS – CTP 20-10EB/20-20EB 208-240V 3P_H (5015326)



ELECTRICAL CHASSIS – CTP 20-10EB/20-20EB 208-240V 3P_H (5015326)

REMAINING PARTS TO BUILD CHASSIS 5015326

* = not shown
 ** = non-parametric BOM quantities

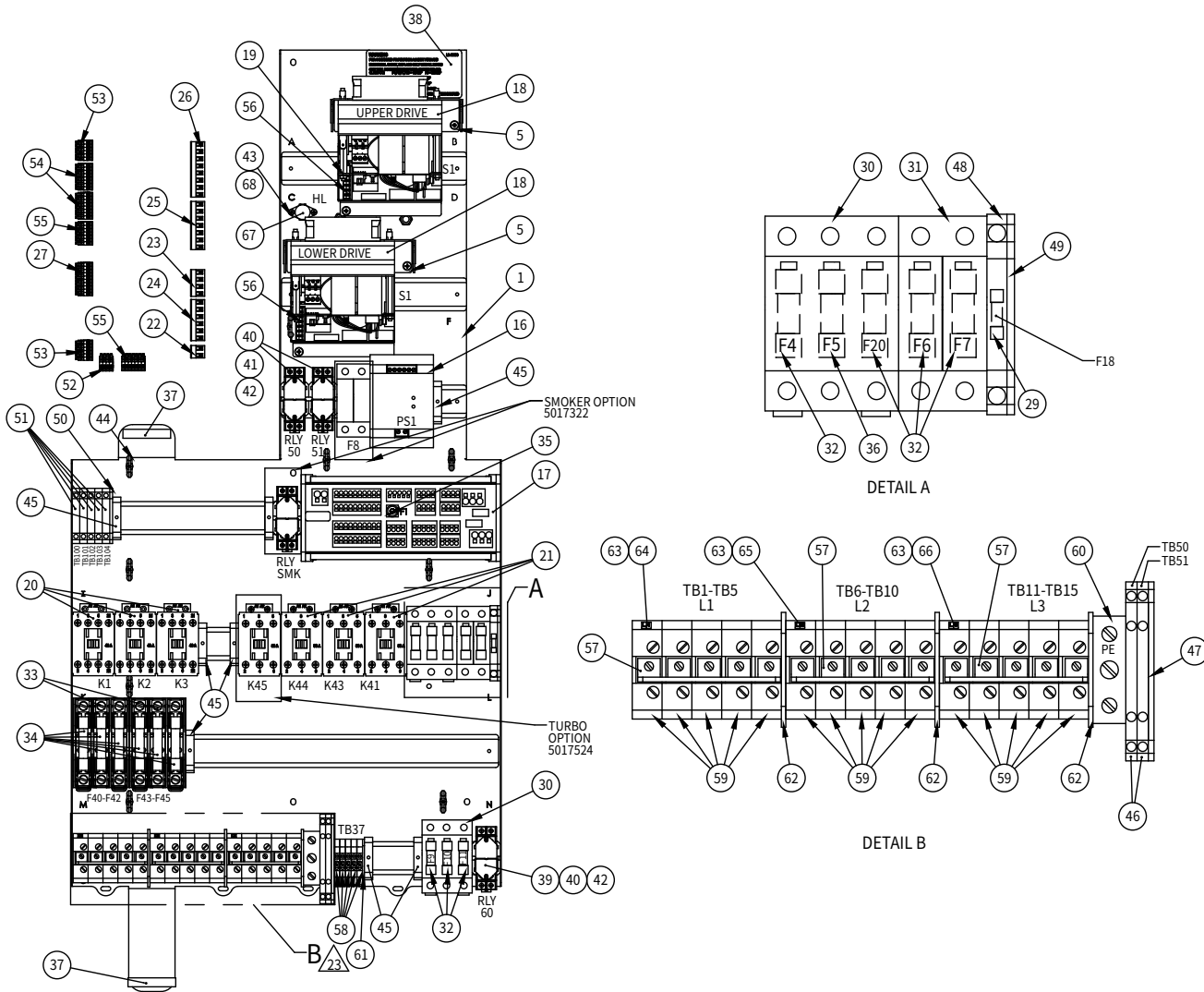
ITEM	PART NUMBER	DESCRIPTION	5015326 /QTY.	
*	2	5015347	WIRE ASSEMBLY, 20-10 208V 3PH	1
*	3	5015373	WIRE ASSEMBLY, 20-10, 20-20 208V	1
*	5	5015481	BRACKET ASSEMBLY, MOTOR DRIVE MOUNT	2
*	7	5016399	WIRE ASSEMBLY 20-10, 20-20 ALL	1
*	8	5016405	WIRE ASSEMBLY 20-10, 20-20 CTC/CTP	1
	16	BA-34676	BOARD, VF MOTOR DRIVE	2
	19	CB-38353	CABLE, CAN-FAN, 4 POLE	1
	20	CN-3654	CONTACTOR, 40 AMP	3
	21	CN-3731	CONTACTOR, 50 AMP	3
	25	CR-35762	CONNECTOR, 7 TERMINAL	1
*	28	EV-28115	ENVELOPE, PRESS ON (NOT SHOWN)	1
	29	FI-33225	FILTER LINE 115/250V 50/60HZ	2
	34	FU-35728	FUSE HOLDER, 60A 480V CLASS G	2
	35	FU-35734	FUSE, 60A, SLC CLASS G	6
	41	RL-34634	UNIVERSAL MOUNTING SOCKET	2
	44	SC-22273	SCREW, M4x0.7X10MM PAN	4
	46	TM-34305	TERMINAL, SCREWLESS END	8
	47	TM-34306	TERMINAL, GROUND, 6mm, SPRING	2
	48	TM-34309	TERMINAL, END SECTION, SPRING	1
	52	TM-34884	TERMINAL, 3.5MM PLUGGABLE, 6 POLE	1**
	53	TM-34889	TERMINAL, 3.5MM PLUGGABLE, 8 POLE	1**
	56	TM-35982	TERMINAL, JUMPER BAR 5 POLE	3
	57	TM-3780	TERMINALS, *CT, SER., 35MM	15
	58	TM-3782	TERMINAL, GROUND, 35mm	1
	59	TM-3786	TERMINAL, CT, 35mm WALL, PART	3
	60	TM-3788	TERMINALS, MARK, L	3
	61	TM-3790	TERMINALS, MARK, 1	1
	62	TM-3791	TERMINALS, MARK, 2	1
	63	TM-3792	TERMINALS, MARK, 3	1
	65	WS-22294	WASHER, FLAT M4 18-8 S/S	4
	67	WS-22300	WASHER, M4 SPLIT LOCK	4

CORE CHASSIS PARTS, REFERENCE 5018420 (ADD TO 5015326)

ITEM	PART NUMBER	DESCRIPTION	5018420 /QTY.	
*	1	5015271	PANEL ASSEMBLY, ELECTRICAL CHASSIS	1
*	4	5015384	WIRE ASSEMBLY, 20-10, 20-20 CTC/CTP	1
*	6	5016284	WIRE ASSEMBLY, 20-10, 20-20 CTC/CTP	1
*	9	5016407	WIRE ASSEMBLY, 20-10, 20-20 CTC/CTP	1
*	10	5016408	WIRE ASSEMBLY, 20-10, 20-20 CTC/CTP	1
*	11	5016409	WIRE ASSEMBLY 20-10, 20-20 CTC/CTP	1
*	12	5016630	WIRE ASSEMBLY, CONTROL BOARD CTP	1
*	13	5016751	WIRE ASSEMBLY, 20-10/20-20 208V,	1
*	14	5016753	WIRE ASSEMBLY, TABLETOP ALL VOLTS	1
*	15	5016811	WIRE ASSEMBLY, 20-10, 20-20 CTC/CTP	1
	17	BA-35693	BOARD, POWER SUPPLY 10-15VDC 8A	1
	18	BA-37262	BOARD ASSEMBLY, MODULAR TERMINAL	1
	22	CR-35759	CONNECTOR, 2 TERMINAL	1
	23	CR-35760	CONNECTOR, 4 TERMINAL	1
	24	CR-35761	CONNECTOR, 6 TERMINAL	1
	26	CR-35763	CONNECTOR, 8 TERMINAL	1
	27	CR-35765	TERMINAL, 3.5MM PLUGGABLE, 10	1
	30	FU-33184	5X20MM, SLOW BLO, 2 AMP, 250V	1
	31	FU-34770	FUSE HOLDER, 3 BANK	1
	32	FU-34771	FUSE HOLDER, 2 BANK	1
	33	FU-34772	FUSE, 15 AMP	4
	36	FU-36668	5X20MM, SLOW BLO, 5AMP, 250V	1
	37	FU-38210	FUSE, CCMR, 20A, 600V, DUAL ELEM.	1
	38	GS-23622	GASKET, FOAM 2" LENGTH	2
	39	LA-38833	LABEL, FUSE WARNING	1
	40	RL-33930	RELAY, 12VDC, 15A, 8 PINS	2
	41	RL-34634	UNIVERSAL MOUNTING SOCKET	2
	42	RL-37266	SPRING, HOLD DOWN,	2
	43	SC-22268	SCREW, M3x0.5X8MM PAN	2
	45	TI-35719	TIE, TWIST LOCK 0.5" STANDOFF	9
	46	TM-34305	TERMINAL, SCREWLESS END	5
	49	TM-34311	TERMINAL, FUSE HOLDER, 8mm	1
	50	TM-34315	TERMINAL, END PLATE	1
	51	TM-34881	TERMINAL, 3.5MM PLUGGABLE, 4 POLE	1
	52	TM-34884	TERMINAL, 3.5MM PLUGGABLE, 6 POLE	1
	53	TM-34889	TERMINAL, 3.5MM PLUGGABLE, 8 POLE	2
	54	TM-34904	TERMINAL, 3-POLE GREEN, GMVSTBR	2
	55	TM-34931	TERMINAL, 3.5MM PLUGGABLE, 7 POLE	2
	64	TT-36119	THERMOSTAT, BI-METAL, 100 DEG CLOSE	1
	66	WS-22299	WASHER, M3 SPLIT LOCK	2

Note: Refer to MN-35949 Rev.2 for part numbers of wiring chassis for previous models

ELECTRICAL CHASSIS – CTP 20-10EB 440-480V (5015880)

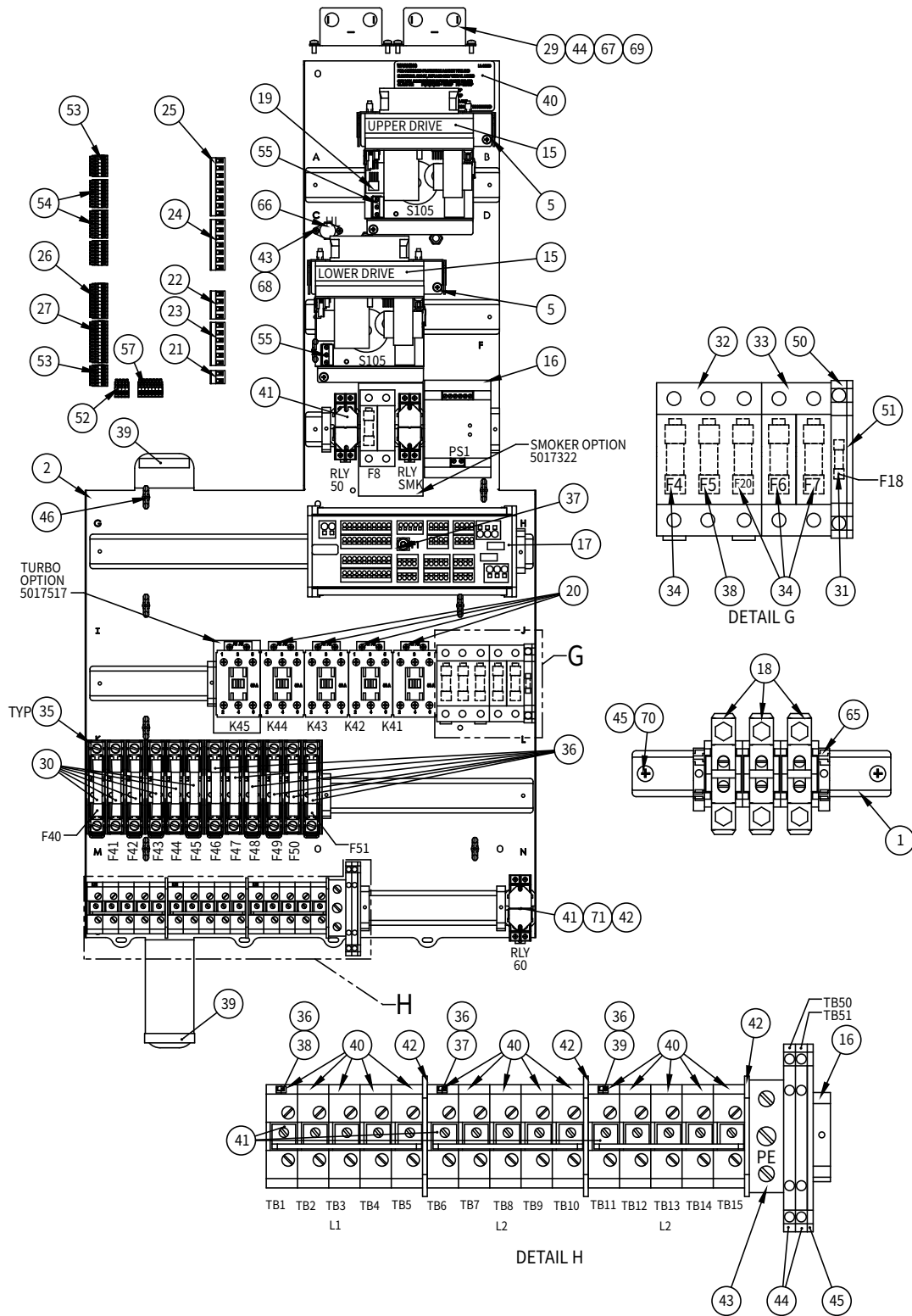


ELECTRICAL CHASSIS – CTP 20-10EB 440-480V (5015880)

ITEM	PART NUMBER	DESCRIPTION	5015880 /QTY.
1	5015271	PANEL ASSEMBLY, ELECTRICAL CHASSIS	1
2	5015361	WIRE ASSEMBLY, 20-10 CTP 440V	1
3	5015378	20.20 EB 440V WIRE ASSEMBLY	1
4	5015383	WIRE ASSEMBLY, 20-10, 20-20 CTP	1
5	5015481	BRACKET ASSEMBLY, MOTOR DRIVE MOUNT	2
6	5016284	WIRE ASSEMBLY, 20-10, 20-20 CTC/CTP	1
7	5016399	WIRE ASSEMBLY 20-10, 20-20 ALL	1
8	5016405	WIRE ASSEMBLY 20-10, 20-20 CTC/CTP	1
9	5016406	WIRE ASSEMBLY 20-10, 20-20 CTP	1
10	5016407	WIRE ASSEMBLY, 20-10, 20-20 CTC/CTP	1
11	5016408	WIRE ASSEMBLY, 20-10, 20-20 CTC/CTP	1
12	5016409	WIRE ASSEMBLY 20-10, 20-20 CTC/CTP	1
13	5016641	WIRE ASSEMBLY, 20.10, 20.20 ES/ESI/ESG	1
14	5016753	WIRE ASSEMBLY, TABLETOP ALL VOLTS	1
15	5016811	WIRE ASSEMBLY, 20-10, 20-20 CTC/CTP	1
16	BA-35693	BOARD, POWER SUPPLY 10-15VDC 8A	1
17	BA-37262	BOARD ASSEMBLY, MODULAR TERMINAL	1
18	BA-38644	BOARD, VFD, 440V 3-PHASE	2
19	CB-38353	CABLE, CAN-FAN, 4 POLE	1
20	CN-3654	CONTACTOR, 40 AMP	3
21	CN-3731	CONTACTOR, 50 AMP	3
22	CR-35759	CONNECTOR, 2 TERMINAL	1
23	CR-35760	CONNECTOR, 4 TERMINAL	1
24	CR-35761	CONNECTOR, 6 TERMINAL	1
25	CR-35762	CONNECTOR, 7 TERMINAL	1
26	CR-35763	CONNECTOR, 8 TERMINAL	1
27	CR-35765	TERMINAL, 3.5MM PLUGGABLE, 10	1
28	EV-28115	ENVELOPE, PRESS ON (NOT SHOWN)	1
29	FU-33184	5X20MM, SLOW BLO, 2 AMP, 250V	1
30	FU-34770	FUSE HOLDER, 3 BANK	2
31	FU-34771	FUSE HOLDER, 2 BANK	1
32	FU-34772	FUSE, 15 AMP	7
33	FU-35728	FUSE HOLDER, 60A 480V CLASS G	2
34	FU-35734	FUSE, 60A, SLC CLASS G	6
35	FU-36668	5X20MM, SLOW BLO, 5AMP, 250V	1
36	FU-38210	FUSE, CCMR, 20A, 600V, DUAL ELEM.	1
37	GS-23622	GASKET, FOAM 2" LENGTH	2
38	LA-38833	LABEL, FUSE WARNING	1
39	RL-33930	RELAY, 12VDC, 15A, 8 PINS	1
40	RL-34634	UNIVERSAL MOUNTING SOCKET	3
41	RL-36100	RELAY, DPDT, 12VDC	2
42	RL-37266	SPRING, HOLD DOWN,	3
43	SC-22268	SCREW, M3x0.5X8MM PAN	2
44	TI-35719	TIE, TWIST LOCK 0.5" STANDOFF	10
45	TM-34305	TERMINAL, SCREWLESS END	8
46	TM-34306	TERMINAL, GROUND, 6mm, SPRING	2
47	TM-34309	TERMINAL, END SECTION, SPRING	1
48	TM-34311	TERMINAL, FUSE HOLDER, 8mm	1
49	TM-34315	TERMINAL, END PLATE	1
50	TM-34437	PARTITION WALL, 1 POLE, FOR	1
51	TM-34438	TERMINAL, SPRING CLAMP, 1 POLE	5
52	TM-34881	TERMINAL, 3.5MM PLUGGABLE, 4 POLE	1
53	TM-34884	TERMINAL, 3.5MM PLUGGABLE, 6 POLE	2
54	TM-34889	TERMINAL, 3.5MM PLUGGABLE, 8 POLE	2
55	TM-34931	TERMINAL, 3.5MM PLUGGABLE, 7 POLE	2
56	TM-34937	TERMINAL, 7-POLE GREEN, MSTB	2
57	TM-35982	TERMINAL, JUMPER BAR 5 POLE	3
58	TM-3778	TERMINALS, *CT, SERIES, 4MM	5
59	TM-3780	TERMINALS, *CT, SER., 35MM	15
60	TM-3782	TERMINAL, GROUND, 35mm	1
61	TM-3783	TERMINAL, WALL, 4MM	1
62	TM-3786	TERMINAL, CT, 35mm WALL, PART	3
63	TM-3788	TERMINALS, MARK, L	3
64	TM-3790	TERMINALS, MARK, 1	1
65	TM-3791	TERMINALS, MARK, 2	1
66	TM-3792	TERMINALS, MARK, 3	1
67	TT-36119	THERMOSTAT, BI-METAL, 100 DEG CLOSE	1
68	WS-22299	WASHER, M3 SPLIT LOCK	2

Note: Refer to MN-35949 Rev.2 for part numbers of wiring chassis for previous models

ELECTRICAL CHASSIS – CTP 20-20E 208-240V 3PH (5016059)



ELECTRICAL CHASSIS – CTP 20-20E 208-240V 3P_H (5016059)

REMAINING PARTS TO BUILD CHASSIS 5016059

* = not shown
 ** = non-parametric BOM quantities

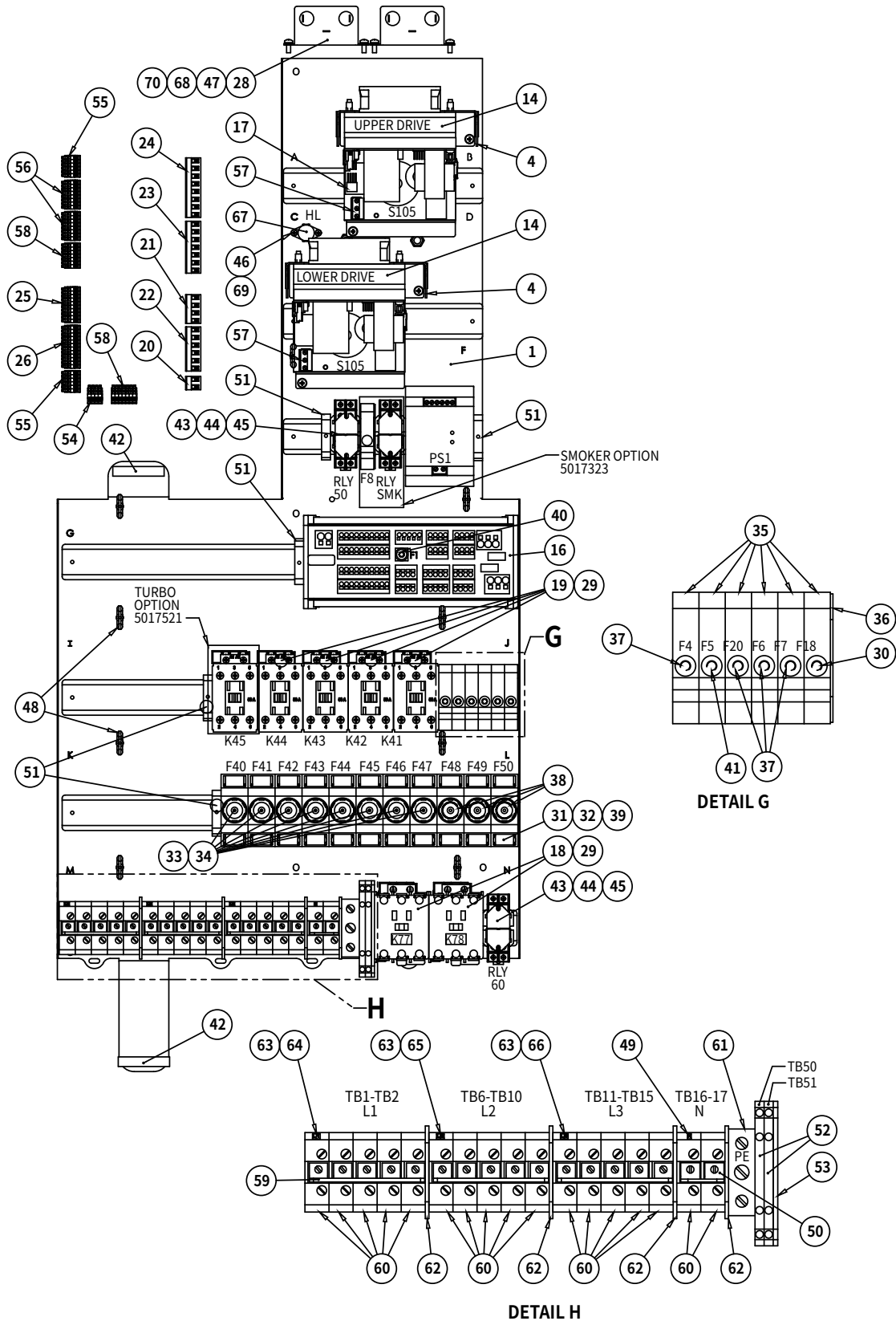
ITEM	PART NUMBER	DESCRIPTION	5016059 /QTY.
1	1016880	RAIL, DIN, 197mm LG, 7mm HOLES	1
3	5015348	WIRE ASSEMBLY, 20-20 CTC/CTP 208V	1
5	5015481	BRACKET ASSEMBLY, MOTOR DRIVE MOUNT	2
7	5016405	WIRE ASSEMBLY 20-10, 20-20 CTC/CTP	1
15	BA-34676	BOARD, VF MOTOR DRIVE	2
18	BK-33996	TERMINAL BLOCK, 95MM	3
19	CB-38353	CABLE, CAN-FAN, 4 POLE	1
20	CN-3731	CONTACTOR, 50 AMP	4
24	CR-35762	CONNECTOR, 7 TERMINAL	1
27	CR-35766	TERMINAL, 3.5MM PLUGGABLE, 12	1
28	EV-28115	ENVELOPE, PRESS ON (NOT SHOWN)	1
29	FI-33225	FILTER LINE 115/250V 50/60HZ	2
30	FU-33040	45A, MP, CLASS G, 480V MED. TIME-LAG	6
35	FU-35728	FUSE HOLDER, 60A 480V CLASS G	4
36	FU-35734	FUSE, 60A, SLC CLASS G	6
44	SC-22273	SCREW, M4x0.7X10MM PAN	4
45	SC-27325	SCREW, M6x1.0X12MM PAN	2
47	TM-34305	TERMINAL, SCREWLESS END	7
48	TM-34306	TERMINAL, GROUND, 6mm, SPRING	2
49	TM-34309	TERMINAL, END SECTION, SPRING	1
53	TM-34884	TERMINAL, 3.5MM PLUGGABLE, 6 POLE	1**
54	TM-34889	TERMINAL, 3.5MM PLUGGABLE, 8 POLE	1**
57	TM-35982	TERMINAL, JUMPER BAR 5 POLE	3
58	TM-3780	TERMINALS, *CT, SER., 35MM	15
59	TM-3782	TERMINAL, GROUND, 35mm	1
60	TM-3786	TERMINAL, CT, 35mm WALL, PART	3
61	TM-3788	TERMINALS, MARK, L	3
62	TM-3790	TERMINALS, MARK, 1	1
63	TM-3791	TERMINALS, MARK, 2	1
64	TM-3792	TERMINALS, MARK, 3	1
65	TM-3926	TERMINALS, *CT, PLUG, 6.10	2
67	WS-22294	WASHER, FLAT M4 18-8 S/S	4
69	WS-22300	WASHER, M4 SPLIT LOCK	4
70	WS-22302	WASHER, M6 SPLIT LOCK	2
71	RL-34634	UNIVERSAL MOUNTING SOCKET	2

CORE CHASSIS PARTS, REFERENCE 5018420 (ADD TO 5016059)

ITEM	PART NUMBER	DESCRIPTION	5018420 /QTY.
2	5015271	PANEL ASSEMBLY, ELECTRICAL CHASSIS	1
4	5015384	WIRE ASSEMBLY, 20-10, 20-20 CTC/CTP	1
6	5016284	WIRE ASSEMBLY, 20-10, 20-20 CTC/CTP	1
8	5016407	WIRE ASSEMBLY, 20-10, 20-20 CTC/CTP	1
9	5016408	WIRE ASSEMBLY, 20-10, 20-20 CTC/CTP	1
10	5016409	WIRE ASSEMBLY 20-10, 20-20 CTC/CTP	1
11	5016630	WIRE ASSEMBLY, CONTROL BOARD CTP	1
12	5016751	WIRE ASSEMBLY, 20-10/20-20 208V	1
13	5016753	WIRE ASSEMBLY, TABLETOP ALL VOLTS	1
14	5016811	WIRE ASSEMBLY, 20-10, 20-20 CTC/CTP	1
16	BA-35693	BOARD, POWER SUPPLY 10-15VDC 8A	1
17	BA-37262	BOARD ASSEMBLY, MODULAR TERMINAL	1
21	CR-35759	CONNECTOR, 2 TERMINAL	1
22	CR-35760	CONNECTOR, 4 TERMINAL	1
23	CR-35761	CONNECTOR, 6 TERMINAL	1
25	CR-35763	CONNECTOR, 8 TERMINAL	1
26	CR-35765	TERMINAL, 3.5MM PLUGGABLE, 10	1
31	FU-33184	5X20MM, SLOW BLO, 2 AMP, 250V	1
32	FU-34770	FUSE HOLDER, 3 BANK	1
33	FU-34771	FUSE HOLDER, 2 BANK	1
34	FU-34772	FUSE, 15 AMP	4
37	FU-36668	5X20MM, SLOW BLO, 5AMP, 250V	1
38	FU-38210	FUSE, CCMR, 20A, 600V, DUAL ELEM.	1
39	GS-23622	GASKET, FOAM 2" LENGTH	2
40	LA-38833	LABEL, FUSE WARNING	1
41	RL-33930	RELAY, 12VDC, 15A, 8 PINS	2
42	RL-37266	SPRING, HOLD DOWN,	2
43	SC-22268	SCREW, M3x0.5X8MM PAN	2
46	TI-35719	TIE, TWIST LOCK 0.5" STANDOFF	9
47	TM-34305	TERMINAL, SCREWLESS END	5
50	TM-34311	TERMINAL, FUSE HOLDER, 8mm	1
51	TM-34315	TERMINAL, END PLATE	1
52	TM-34881	TERMINAL, 3.5MM PLUGGABLE, 4 POLE	1
53	TM-34884	TERMINAL, 3.5MM PLUGGABLE, 6 POLE	2
54	TM-34889	TERMINAL, 3.5MM PLUGGABLE, 8 POLE	2
55	TM-34904	TERMINAL, 3-POLE GREEN, GMVSTBR	2
56	TM-34931	TERMINAL, 3.5MM PLUGGABLE, 7 POLE	2
66	TT-36119	THERMOSTAT, BI-METAL, 100 DEG CLOSE	1
68	WS-22299	WASHER, M3 SPLIT LOCK	2
71	RL-34634	UNIVERSAL MOUNTING SOCKET	2

Note: Refer to MN-35949 Rev.2 for part numbers of wiring chassis for previous models

ELECTRICAL CHASSIS – CTP 20-20E 380-415V (5016061)



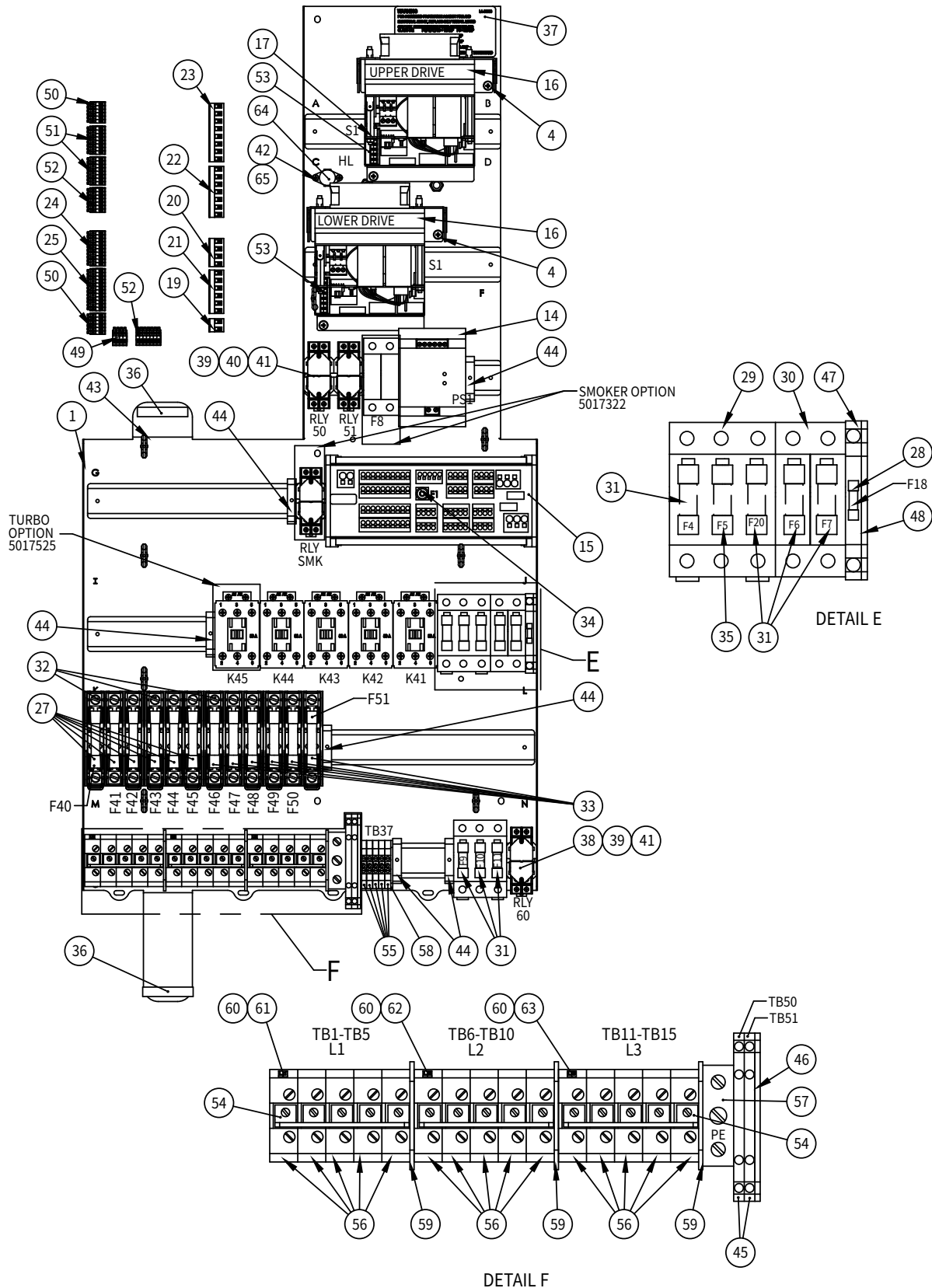
ELECTRICAL CHASSIS – CTP 20-20E 380-415V (5016061)

* = not shown

ITEM	PART NUMBER	DESCRIPTION	5016061 /QTY.	
1	5015271	PANEL ASSEMBLY, ELECTRICAL CHASSIS	1	
*	2	5015365	WIRE ASSEMBLY, 20-20CTC/CTP EI 380V	1
*	3	5015384	WIRE ASSEMBLY, 20-10, 20-20 CTC/CTP	1
4	5015481	BRACKET ASSEMBLY, MOTOR DRIVE MOUNT	2	
*	5	5016284	WIRE ASSEMBLY, 20-10, 20-20 CTC/CTP	1
*	6	5016405	WIRE ASSEMBLY 20-10, 20-20 CTC/CTP	1
*	7	5016407	WIRE ASSEMBLY, 20-10, 20-20 CTC/CTP	1
*	8	5016408	WIRE ASSEMBLY, 20-10, 20-20 CTC/CTP	1
*	9	5016409	WIRE ASSEMBLY 20-10, 20-20 CTC/CTP	1
*	10	5016630	WIRE ASSEMBLY, CONTROL BOARD CTP	1
*	11	5016752	WIRE ASSEMBLY, TABLE TOP CTC/CTP	1
*	12	5016753	WIRE ASSEMBLY, TABLETOP ALL VOLTS	1
*	13	5016811	WIRE ASSEMBLY, 20-10, 20-20 CTC/CTP	1
14	BA-34676	BOARD, VF MOTOR DRIVE	2	
15	BA-35693	BOARD, POWER SUPPLY 10-15VDC 8A	1	
16	BA-37262	BOARD ASSEMBLY, MODULAR TERMINAL	1	
17	CB-38353	CABLE, CAN-FAN, 4 POLE	1	
18	CN-36605	CONTACTOR, 3POLE, WITH AC COIL	2	
19	CN-3731	CONTACTOR, 50 AMP	4	
20	CR-35759	CONNECTOR, 2 TERMINAL	1	
21	CR-35760	CONNECTOR, 4 TERMINAL	1	
22	CR-35761	CONNECTOR, 6 TERMINAL	1	
23	CR-35762	CONNECTOR, 7 TERMINAL	1	
24	CR-35763	CONNECTOR, 8 TERMINAL	1	
25	CR-35765	TERMINAL, 3.5MM PLUGGABLE, 10	1	
26	CR-35766	TERMINAL, 3.5MM PLUGGABLE, 12	1	
*	27	EV-28115	ENVELOPE, PRESS ON (NOT SHOWN)	1
28	FI-33225	FILTER LINE 115/250V 50/60HZ	2	
29	FI-33990	EMI FILTER	6	
30	FU-33184	5X20MM, SLOW BLO, 2 AMP, 250V	1	
31	FU-33444	FUSE, DO2 NEOZED BASE & COVER	11	
32	FU-33445	FUSE, DO2 NEOZED SCREW CAP	11	
33	FU-33448	FUSE, DO2 NEOZED GAUGE RING 25A	8	
34	FU-33449	FUSE, DO2 NEOZED 25A, YELLOW	8	
35	FU-33451	FUSE, TERMINAL, 6.3AMP	6	
36	FU-34749	FUSE, HOLDER COVER	1	
37	FU-34921	FUSE, 15 AMP, 250V, 5mm X 20mm	4	
38	FU-35497	FUSE, DO2 NEOZED GAUGE RING 50A	3	
39	FU-35850	FUSE, DO2 NEOZED 50A, WHITE	3	
40	FU-36668	5X20MM, SLOW BLO, 5AMP, 250V	1	
41	FU-38406	FUSE, 20 AMP, 250V, 5mm X 20mm	1	
42	GS-23622	GASKET, FOAM 2" LENGTH	2	
43	RL-33930	RELAY, 12VDC, 15A, 8 PINS	2	
44	RL-34634	UNIVERSAL MOUNTING SOCKET	2	
45	RL-37266	SPRING, HOLD DOWN,	2	
46	SC-22268	SCREW, M3x0.5X8MM PAN	2	
47	SC-22273	SCREW, M4x0.7X10MM PAN	4	
48	TI-35719	TIE, TWIST LOCK 0.5" STANDOFF	9	
49	TM-33479	TERMINALS, MARK, N	1	
50	TM-33837	JUMPER STRIP	1	
51	TM-34305	TERMINAL, SCREWLESS END	5	
52	TM-34306	TERMINAL, GROUND, 6mm, SPRING	2	
53	TM-34309	TERMINAL, END SECTION, SPRING	1	
54	TM-34881	TERMINAL, 3.5MM PLUGGABLE, 4 POLE	1	
55	TM-34884	TERMINAL, 3.5MM PLUGGABLE, 6 POLE	2	
56	TM-34889	TERMINAL, 3.5MM PLUGGABLE, 8 POLE	2	
57	TM-34904	TERMINAL, 3-POLE GREEN, GMVSTBR	2	
58	TM-34931	TERMINAL, 3.5MM PLUGGABLE, 7 POLE	2	
59	TM-35982	TERMINAL, JUMPER BAR 5 POLE	3	
60	TM-3780	TERMINALS, *CT, SER., 35MM	17	
61	TM-3782	TERMINAL, GROUND, 35mm	1	
62	TM-3786	TERMINAL, CT, 35mm WALL, PART	4	
63	TM-3788	TERMINALS, MARK, L	3	
64	TM-3790	TERMINALS, MARK, 1	1	
65	TM-3791	TERMINALS, MARK, 2	1	
66	TM-3792	TERMINALS, MARK, 3	1	
67	TT-36119	THERMOSTAT, BI-METAL, 100 DEG CLOSE	1	
68	WS-22294	WASHER, FLAT M4 18-8 S/S	4	
69	WS-22299	WASHER, M3 SPLIT LOCK	2	
70	WS-22300	WASHER, M4 SPLIT LOCK	4	

Note: Refer to MN-35949 Rev.2 for part numbers of wiring chassis for previous models

ELECTRICAL CHASSIS – CTP 20-20E 440-480V (5016063)

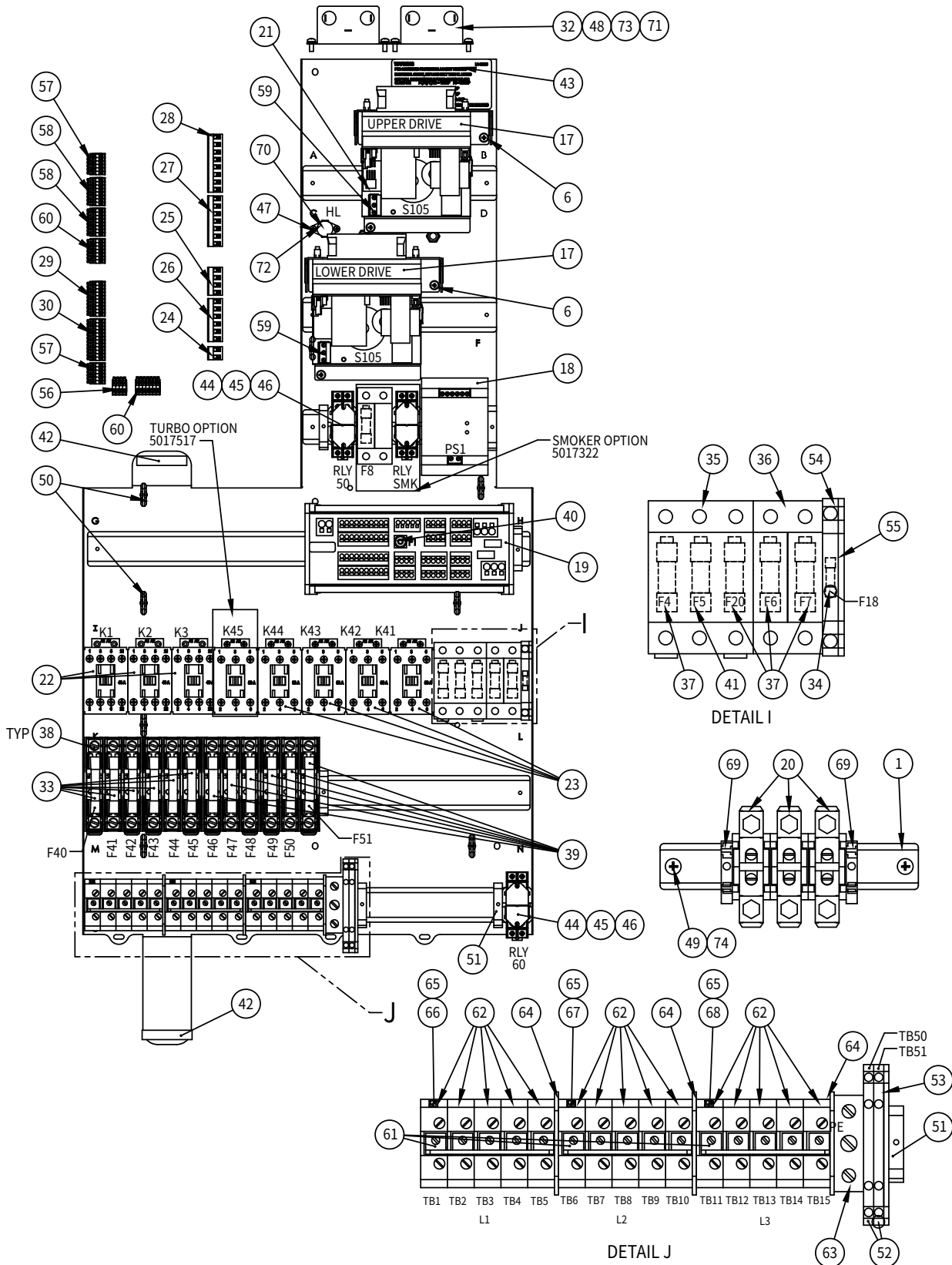


ELECTRICAL CHASSIS – CTP 20-20E 440-480V (5016063)

ITEM	PART NUMBER	DESCRIPTION	5016063 /QTY.
1	5015271	PANEL ASSEMBLY, ELECTRICAL CHASSIS	1
2	5015362	WIRE ASSEMBLY, 20-20CTC/CTP EI 440V	1
3	5015383	WIRE ASSEMBLY, 20-10, 20-20 CTP	1
4	5015481	BRACKET ASSEMBLY, MOTOR DRIVE MOUNT	2
5	5016284	WIRE ASSEMBLY, 20-10, 20-20 CTC/CTP	1
6	5016405	WIRE ASSEMBLY 20-10, 20-20 CTC/CTP	1
7	5016406	WIRE ASSEMBLY 20-10, 20-20 CTP	1
8	5016407	WIRE ASSEMBLY, 20-10, 20-20 CTC/CTP	1
9	5016408	WIRE ASSEMBLY, 20-10, 20-20 CTC/CTP	1
10	5016409	WIRE ASSEMBLY 20-10, 20-20 CTC/CTP	1
11	5016641	WIRE ASSEMBLY, 20.10, 20.20 ES/ESI/ESG	1
12	5016753	WIRE ASSEMBLY, TABLETOP ALL VOLTS	1
13	5016811	WIRE ASSEMBLY, 20-10, 20-20 CTC/CTP	1
14	BA-35693	BOARD, POWER SUPPLY 10-15VDC 8A	1
15	BA-37262	BOARD ASSEMBLY, MODULAR TERMINAL	1
16	BA-38644	BOARD, VFD, 440V 3-PHASE	2
17	CB-38353	CABLE, CAN-FAN, 4 POLE	1
18	CN-3731	CONTACTOR, 50 AMP	4
19	CR-35759	CONNECTOR, 2 TERMINAL	1
20	CR-35760	CONNECTOR, 4 TERMINAL	1
21	CR-35761	CONNECTOR, 6 TERMINAL	1
22	CR-35762	CONNECTOR, 7 TERMINAL	1
23	CR-35763	CONNECTOR, 8 TERMINAL	1
24	CR-35765	TERMINAL, 3.5MM PLUGGABLE, 10	1
25	CR-35766	TERMINAL, 3.5MM PLUGGABLE, 12	1
26	EV-28115	ENVELOPE, PRESS ON (NOT SHOWN)	1
27	FU-33040	45A, MP, CLASS G, 480V MED. TIME-LAG	6
28	FU-33184	5X20MM, SLOW BLO, 2 AMP, 250V	1
29	FU-34770	FUSE HOLDER, 3 BANK	2
30	FU-34771	FUSE HOLDER, 2 BANK	1
31	FU-34772	FUSE, 15 AMP	7
32	FU-35728	FUSE HOLDER, 60A 480V CLASS G	4
33	FU-35734	FUSE, 60A, SLC CLASS G	6
34	FU-36668	5X20MM, SLOW BLO, 5AMP, 250V	1
35	FU-38210	FUSE, CCMR, 20A, 600V, DUAL ELEM.	1
36	GS-23622	GASKET, FOAM 2" LENGTH	2
37	LA-38833	LABEL, FUSE WARNING	1
38	RL-33930	RELAY, 12VDC, 15A, 8 PINS	1
39	RL-34634	UNIVERSAL MOUNTING SOCKET	3
40	RL-36100	RELAY, DPDT, 12VDC	2
41	RL-37266	SPRING, HOLD DOWN,	3
42	SC-22268	SCREW, M3x0.5X8MM PAN	2
43	TI-35719	TIE, TWIST LOCK 0.5" STANDOFF	9
44	TM-34305	TERMINAL, SCREWLESS END	6
45	TM-34306	TERMINAL, GROUND, 6mm, SPRING	2
46	TM-34309	TERMINAL, END SECTION, SPRING	1
47	TM-34311	TERMINAL, FUSE HOLDER, 8mm	1
48	TM-34315	TERMINAL, END PLATE	1
49	TM-34881	TERMINAL, 3.5MM PLUGGABLE, 4 POLE	1
50	TM-34884	TERMINAL, 3.5MM PLUGGABLE, 6 POLE	2
51	TM-34889	TERMINAL, 3.5MM PLUGGABLE, 8 POLE	2
52	TM-34931	TERMINAL, 3.5MM PLUGGABLE, 7 POLE	2
53	TM-34937	TERMINAL, 7-POLE GREEN, MSTB	2
54	TM-35982	TERMINAL, JUMPER BAR 5 POLE	3
55	TM-3778	TERMINALS, *CT, SERIES, 4MM	5
56	TM-3780	TERMINALS, *CT, SER., 35MM	15
57	TM-3782	TERMINAL, GROUND, 35mm	1
58	TM-3783	TERMINAL, WALL, 4MM	1
59	TM-3786	TERMINAL, CT, 35mm WALL, PART	3
60	TM-3788	TERMINALS, MARK, L	3
61	TM-3790	TERMINALS, MARK, 1	1
62	TM-3791	TERMINALS, MARK, 2	1
63	TM-3792	TERMINALS, MARK, 3	1
64	TT-36119	THERMOSTAT, BI-METAL, 100 DEG CLOSE	1
65	WS-22299	WASHER, M3 SPLIT LOCK	2

Note: Refer to MN-35949 Rev.2 for part numbers of wiring chassis for previous models

ELECTRICAL CHASSIS – CTP 20-20EB 208-240V 3PH (5016060)



ELECTRICAL CHASSIS – CTP 20-20EB 208-240V 3PH (5016060)

CORE CHASSIS PARTS, REFERENCE 5018420 (ADD TO 5016060)

* = not shown
** = non-parametric BOM quantities

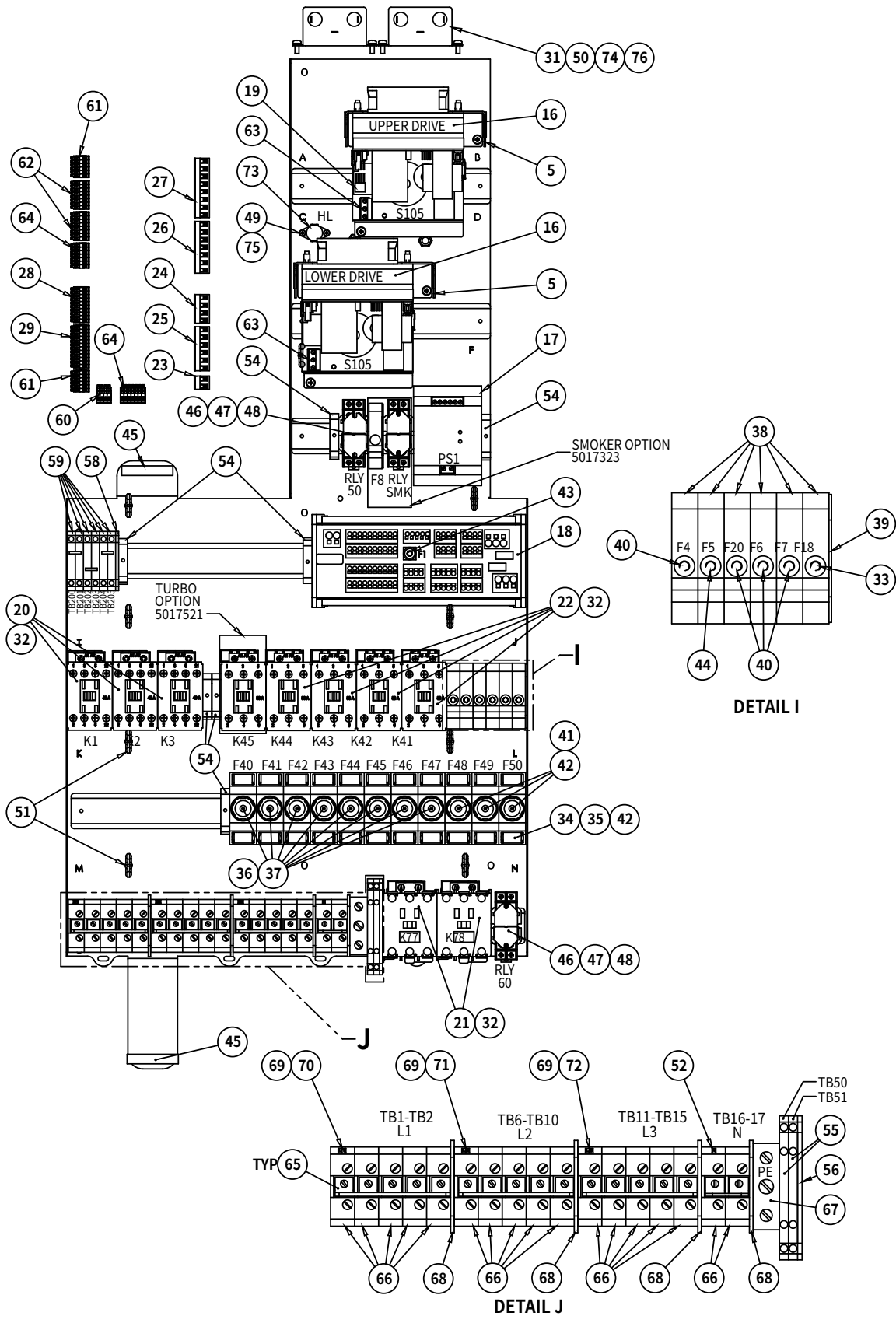
ITEM	PART NUMBER	DESCRIPTION	5018420 /QTY.	
*	2	5015271	PANEL ASSEMBLY, ELECTRICAL CHASSIS	1
*	5	5015384	WIRE ASSEMBLY, 20-10, 20-20 CTC/CTP	1
*	7	5016284	WIRE ASSEMBLY, 20-10, 20-20 CTC/CTP	1
*	10	5016407	WIRE ASSEMBLY, 20-10, 20-20 CTC/CTP	1
*	11	5016408	WIRE ASSEMBLY, 20-10, 20-20 CTC/CTP	1
*	12	5016409	WIRE ASSEMBLY 20-10, 20-20 CTC/CTP	1
*	13	5016630	WIRE ASSEMBLY, CONTROL BOARD CTP	1
*	14	5016751	WIRE ASSEMBLY, 20-10/20-20 208V	1
*	15	5016753	WIRE ASSEMBLY, TABLETOP ALL VOLTS	1
*	16	5016811	WIRE ASSEMBLY, 20-10, 20-20 CTC/CTP	1
*	18	BA-35693	BOARD, POWER SUPPLY 10-15VDC 8A	1
*	19	BA-37262	BOARD ASSEMBLY, MODULAR TERMINAL	1
	24	CR-35759	CONNECTOR, 2 TERMINAL	1
	25	CR-35760	CONNECTOR, 4 TERMINAL	1
	26	CR-35761	CONNECTOR, 6 TERMINAL	1
	28	CR-35763	CONNECTOR, 8 TERMINAL	1
	29	CR-35765	TERMINAL, 3.5MM PLUGGABLE, 10	1
	34	FU-33184	5X20MM, SLOW BLO, 2 AMP, 250V	1
	35	FU-34770	FUSE HOLDER, 3 BANK	1
	36	FU-34771	FUSE HOLDER, 2 BANK	1
	37	FU-34772	FUSE, 15 AMP	4
	40	FU-36668	5X20MM, SLOW BLO, 5AMP, 250V	1
	41	FU-38210	FUSE, CCMR, 20A, 600V, DUAL ELEM.	1
	42	GS-23622	GASKET, FOAM 2" LENGTH	2
	43	LA-38833	LABEL, FUSE WARNING	1
	44	RL-33930	RELAY, 12VDC, 15A, 8 PINS	2
	45	RL-34634	UNIVERSAL MOUNTING SOCKET	2
	46	RL-37266	SPRING, HOLD DOWN,	2
	47	SC-22268	SCREW, M3x0.5X8MM PAN	2
	50	TI-35719	TIE, TWIST LOCK 0.5" STANDOFF	9
	51	TM-34305	TERMINAL, SCREWLESS END	5
	54	TM-34311	TERMINAL, FUSE HOLDER, 8mm	1
	55	TM-34315	TERMINAL, END PLATE	1
	56	TM-34881	TERMINAL, 3.5MM PLUGGABLE, 4 POLE	1
	57	TM-34884	TERMINAL, 3.5MM PLUGGABLE, 6 POLE	2
	58	TM-34889	TERMINAL, 3.5MM PLUGGABLE, 8 POLE	2
	59	TM-34904	TERMINAL, 3-POLE GREEN, GMVSTBR	2
	60	TM-34931	TERMINAL, 3.5MM PLUGGABLE, 7 POLE	2
	70	TT-36119	THERMOSTAT, BI-METAL, 100 DEG CLOSE	1
	72	WS-22299	WASHER, M3 SPLIT LOCK	2

REMAINING PARTS TO BUILD CHASSIS 5016060

ITEM	PART NUMBER	DESCRIPTION	5016060 /QTY.	
*	1	1016880	RAIL, DIN, 197mm LG, 7mm HOLES	1
*	3	5015348	WIRE ASSEMBLY, 20-20 CTC/CTP 208V	1
*	4	5015373	WIRE ASSEMBLY, 20-10, 20-20 208V	1
*	6	5015481	BRACKET ASSEMBLY, MOTOR DRIVE MOUNT	2
*	8	5016399	WIRE ASSEMBLY 20-10, 20-20 ALL	1
*	9	5016405	WIRE ASSEMBLY 20-10, 20-20 CTC/CTP	1
	17	BA-34676	BOARD, VF MOTOR DRIVE	2
	20	BK-33996	TERMINAL BLOCK, 95MM	3
	21	CB-38353	CABLE, CAN-FAN, 4 POLE	1
	22	CN-3654	CONTACTOR, 40 AMP	3
	23	CN-3731	CONTACTOR, 50 AMP	4
	27	CR-35762	CONNECTOR, 7 TERMINAL	1
	30	CR-35766	TERMINAL, 3.5MM PLUGGABLE, 12	1
*	31	EV-28115	ENVELOPE, PRESS ON (NOT SHOWN)	1
	32	FI-33225	FILTER LINE 115/250V 50/60HZ	2
	33	FU-33040	45A, MP, CLASS G, 480V MED. TIME-LAG	6
	38	FU-35728	FUSE HOLDER, 60A 480V CLASS G	4
	39	FU-35734	FUSE, 60A, SLC CLASS G	6
	45	RL-34634	UNIVERSAL MOUNTING SOCKET	2
	48	SC-22273	SCREW, M4x0.7X10MM PAN	4
	49	SC-27325	SCREW, M6x1.0X12MM PAN	2
	51	TM-34305	TERMINAL, SCREWLESS END	7
	52	TM-34306	TERMINAL, GROUND, 6mm, SPRING	2
	53	TM-34309	TERMINAL, END SECTION, SPRING	1
	57	TM-34884	TERMINAL, 3.5MM PLUGGABLE, 6 POLE	1**
	58	TM-34889	TERMINAL, 3.5MM PLUGGABLE, 8 POLE	1**
	61	TM-35982	TERMINAL, JUMPER BAR 5 POLE	3
	62	TM-3780	TERMINALS, *CT, SER., 35MM	15
	63	TM-3782	TERMINAL, GROUND, 35mm	1
	64	TM-3786	TERMINAL, CT, 35mm WALL, PART	3
	65	TM-3788	TERMINALS, MARK, 1	3
	66	TM-3790	TERMINALS, MARK, 1	1
	67	TM-3791	TERMINALS, MARK, 2	1
	68	TM-3792	TERMINALS, MARK, 3	1
	69	TM-3926	TERMINALS, *CT, PLUG, 6.10	2
	71	WS-22294	WASHER, FLAT M4 18-8 S/S	4
	73	WS-22300	WASHER, M4 SPLIT LOCK	4
	74	WS-22302	WASHER, M6 SPLIT LOCK	2

Note: Refer to MN-35949 Rev.2 for part numbers of wiring chassis for previous models

ELECTRICAL CHASSIS – CTP 20-20EB 380-415V (5016062)

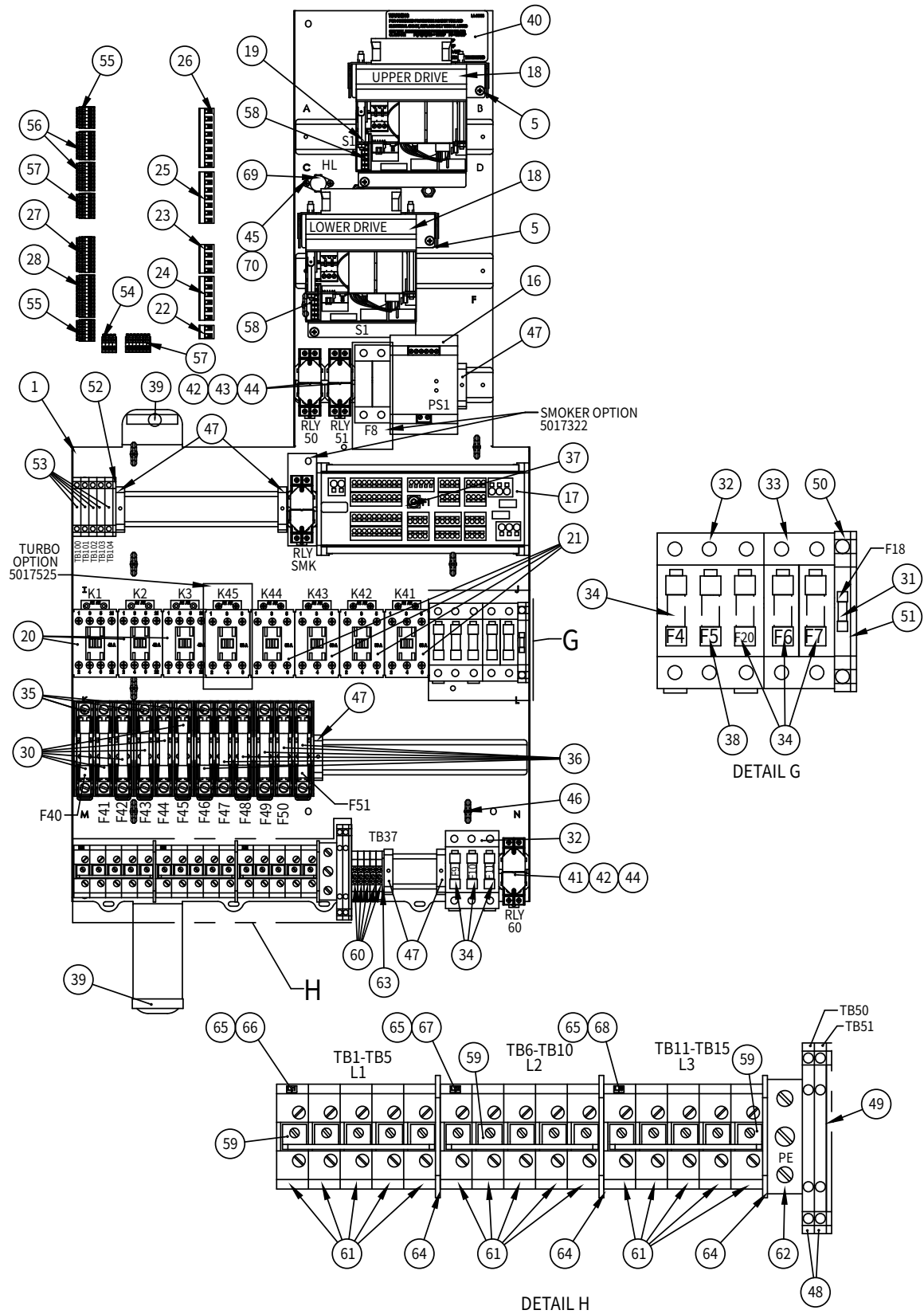


ELECTRICAL CHASSIS – CTP 20-20EB 380-415V (5016062)

ITEM	PART NUMBER	DESCRIPTION	5016062 /QTY
1	5015271	PANEL ASSEMBLY, ELECTRICAL CHASSIS	1
2	5015365	WIRE ASSEMBLY, 20-20CTC/CTP EI 380V	1
3	5015372	WIRE ASSEMBLY ROLL IN CTC/CTP 380V	1
4	5015384	WIRE ASSEMBLY, 20-10, 20-20 CTC/CTP	1
5	5015481	BRACKET ASSEMBLY, MOTOR DRIVE MOUNT	2
6	5016284	WIRE ASSEMBLY, 20-10, 20-20 CTC/CTP	1
7	5016399	WIRE ASSEMBLY 20-10, 20-20 ALL	1
8	5016405	WIRE ASSEMBLY 20-10, 20-20 CTC/CTP	1
9	5016407	WIRE ASSEMBLY, 20-10, 20-20 CTC/CTP	1
10	5016408	WIRE ASSEMBLY, 20-10, 20-20 CTC/CTP	1
11	5016409	WIRE ASSEMBLY 20-10, 20-20 CTC/CTP	1
12	5016630	WIRE ASSEMBLY, CONTROL BOARD CTP	1
13	5016752	WIRE ASSEMBLY, TABLE TOP CTC/CTP	1
14	5016753	WIRE ASSEMBLY, TABLETOP ALL VOLTS	1
15	5016811	WIRE ASSEMBLY, 20-10, 20-20 CTC/CTP	1
16	BA-34676	BOARD, VF MOTOR DRIVE	2
17	BA-35693	BOARD, POWER SUPPLY 10-15VDC 8A	1
18	BA-37262	BOARD ASSEMBLY, MODULAR TERMINAL	1
19	CB-38353	CABLE, CAN-FAN, 4 POLE	1
20	CN-3654	CONTACTOR, 40 AMP	3
21	CN-36605	CONTACTOR, 3POLE, WITH AC COIL	2
22	CN-3731	CONTACTOR, 50 AMP	4
23	CR-35759	CONNECTOR, 2 TERMINAL	1
24	CR-35760	CONNECTOR, 4 TERMINAL	1
25	CR-35761	CONNECTOR, 6 TERMINAL	1
26	CR-35762	CONNECTOR, 7 TERMINAL	1
27	CR-35763	CONNECTOR, 8 TERMINAL	1
28	CR-35765	TERMINAL, 3.5MM PLUGGABLE, 10	1
29	CR-35766	TERMINAL, 3.5MM PLUGGABLE, 12	1
30	EV-28115	ENVELOPE, PRESS ON (NOT SHOWN)	1
31	FI-33225	FILTER LINE 115/250V 50/60HZ	2
32	FI-33990	EMI FILTER	9
33	FU-33184	5X20MM, SLOW BLO, 2 AMP, 250V	1
34	FU-33444	FUSE, DO2 NEOZED BASE & COVER	11
35	FU-33445	FUSE, DO2 NEOZED SCREW CAP	11
36	FU-33448	FUSE, DO2 NEOZED GAUGE RING 25A	8
37	FU-33449	FUSE, DO2 NEOZED 25A, YELLOW	8
38	FU-33451	FUSE, TERMINAL, 6.3AMP	6
39	FU-34749	FUSE, HOLDER COVER	1
40	FU-34921	FUSE, 15 AMP, 250V, 5mm X 20mm	4
41	FU-35497	FUSE, DO2 NEOZED GAUGE RING 50A	3
42	FU-35850	FUSE, DO2 NEOZED 50A, WHITE	3
43	FU-36668	5X20MM, SLOW BLO, 5AMP, 250V	1
44	FU-38406	FUSE, 20 AMP, 250V, 5mm X 20mm	1
45	GS-23622	GASKET, FOAM 2" LENGTH	2
46	RL-33930	RELAY, 12VDC, 15A, 8 PINS	2
47	RL-34634	UNIVERSAL MOUNTING SOCKET	2
48	RL-37266	SPRING, HOLD DOWN,	2
49	SC-22268	SCREW, M3x0.5X8MM PAN	2
50	SC-22273	SCREW, M4x0.7X10MM PAN	4
51	TI-35719	TIE, TWIST LOCK 0.5" STANDOFF	9
52	TM-33479	TERMINALS, MARK, N	1
53	TM-33837	JUMPER STRIP	1
54	TM-34305	TERMINAL, SCREWLESS END	7
55	TM-34306	TERMINAL, GROUND, 6mm, SPRING	2
56	TM-34309	TERMINAL, END SECTION, SPRING	1
57	TM-34310	JUMPER BAR	3
58	TM-34437	PARTITION WALL, 1 POLE, FOR	1
59	TM-34438	TERMINAL, SPRING CLAMP, 1 POLE	6
60	TM-34881	TERMINAL, 3.5MM PLUGGABLE, 4 POLE	1
61	TM-34884	TERMINAL, 3.5MM PLUGGABLE, 6 POLE	2
62	TM-34889	TERMINAL, 3.5MM PLUGGABLE, 8 POLE	2
63	TM-34904	TERMINAL, 3-POLE GREEN, GMVSTBR	2
64	TM-34931	TERMINAL, 3.5MM PLUGGABLE, 7 POLE	2
65	TM-35982	TERMINAL, JUMPER BAR 5 POLE	3
66	TM-3780	TERMINALS, *CT, SER., 35MM	17
67	TM-3782	TERMINAL, GROUND, 35mm	1
68	TM-3786	TERMINAL, CT, 35mm WALL, PART	4
69	TM-3788	TERMINALS, MARK, L	3
70	TM-3790	TERMINALS, MARK, 1	1
71	TM-3791	TERMINALS, MARK, 2	1
72	TM-3792	TERMINALS, MARK, 3	1
73	TT-36119	THERMOSTAT, BI-METAL, 100 DEG CLOSE	1
74	WS-22294	WASHER, FLAT M4 18-8 S/S	4
75	WS-22299	WASHER, M3 SPLIT LOCK	2
76	WS-22300	WASHER, M4 SPLIT LOCK	4

Note: Refer to MN-35949 Rev.2 for part numbers of wiring chassis for previous models

ELECTRICAL CHASSIS – CTP 20-20EB 440-480V (5016064)

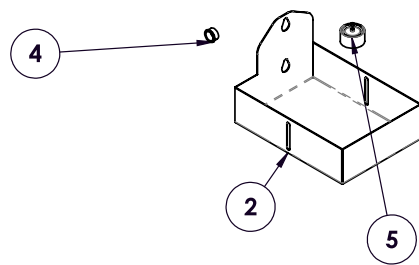
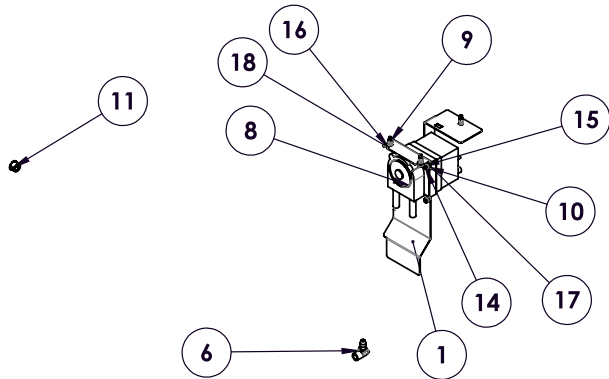


ELECTRICAL CHASSIS – CTP 20-20EB 440-480V (5016064)

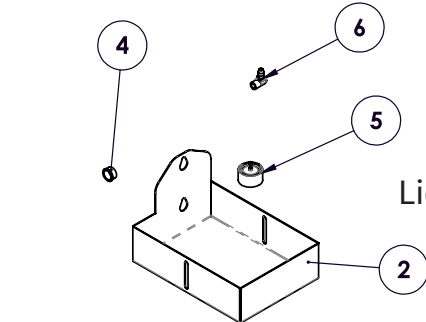
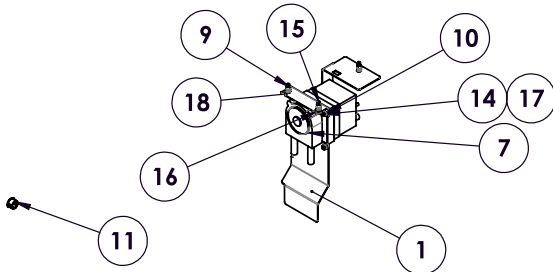
ITEM	PART NUMBER	DESCRIPTION	5016064 /QTY.
1	5015271	PANEL ASSEMBLY, ELECTRICAL CHASSIS	1
2	5015362	WIRE ASSEMBLY, 20-20CTC/CTP EI 440V	1
3	5015378	20.20 EB 440V WIRE ASSEMBLY	1
4	5015383	WIRE ASSEMBLY, 20-10, 20-20 CTP	1
5	5015481	BRACKET ASSEMBLY, MOTOR DRIVE MOUNT	2
6	5016284	WIRE ASSEMBLY, 20-10, 20-20 CTC/CTP	1
7	5016399	WIRE ASSEMBLY 20-10, 20-20 ALL	1
8	5016405	WIRE ASSEMBLY 20-10, 20-20 CTC/CTP	1
9	5016406	WIRE ASSEMBLY 20-10, 20-20 CTP	1
10	5016407	WIRE ASSEMBLY, 20-10, 20-20 CTC/CTP	1
11	5016408	WIRE ASSEMBLY, 20-10, 20-20 CTC/CTP	1
12	5016409	WIRE ASSEMBLY 20-10, 20-20 CTC/CTP	1
13	5016641	WIRE ASSEMBLY, 20.10, 20.20 ES/ESI/ESG	1
14	5016753	WIRE ASSEMBLY, TABLETOP ALL VOLTS	1
15	5016811	WIRE ASSEMBLY, 20-10, 20-20 CTC/CTP	1
16	BA-35693	BOARD, POWER SUPPLY 10-15VDC 8A	1
17	BA-37262	BOARD ASSEMBLY, MODULAR TERMINAL	1
18	BA-38644	BOARD, VFD, 440V 3-PHASE	2
19	CB-38353	CABLE, CAN-FAN, 4 POLE	1
20	CN-3654	CONTACTOR, 40 AMP	3
21	CN-3731	CONTACTOR, 50 AMP	4
22	CR-35759	CONNECTOR, 2 TERMINAL	1
23	CR-35760	CONNECTOR, 4 TERMINAL	1
24	CR-35761	CONNECTOR, 6 TERMINAL	1
25	CR-35762	CONNECTOR, 7 TERMINAL	1
26	CR-35763	CONNECTOR, 8 TERMINAL	1
27	CR-35765	TERMINAL, 3.5MM PLUGGABLE, 10	1
28	CR-35766	TERMINAL, 3.5MM PLUGGABLE, 12	1
29	EV-28115	ENVELOPE, PRESS ON (NOT SHOWN)	1
30	FU-33040	45A, MP, CLASS G, 480V MED. TIME-LAG	6
31	FU-33184	5X20MM, SLOW BLO, 2 AMP, 250V	1
32	FU-34770	FUSE HOLDER, 3 BANK	2
33	FU-34771	FUSE HOLDER, 2 BANK	1
34	FU-34772	FUSE, 15 AMP	7
35	FU-35728	FUSE HOLDER, 60A 480V CLASS G	4
36	FU-35734	FUSE, 60A, SLC CLASS G	6
37	FU-36668	5X20MM, SLOW BLO, 5AMP, 250V	1
38	FU-38210	FUSE, CCMR, 20A, 600V, DUAL ELEM.	1
39	GS-23622	GASKET, FOAM 2" LENGTH	2
40	LA-38833	LABEL, FUSE WARNING	1
41	RL-33930	RELAY, 12VDC, 15A, 8 PINS	1
42	RL-34634	UNIVERSAL MOUNTING SOCKET	3
43	RL-36100	RELAY, DPDT, 12VDC	2
44	RL-37266	SPRING, HOLD DOWN,	3
45	SC-22268	SCREW, M3x0.5X8MM PAN	2
46	TI-35719	TIE, TWIST LOCK 0.5" STANDOFF	9
47	TM-34305	TERMINAL, SCREWLESS END	8
48	TM-34306	TERMINAL, GROUND, 6mm, SPRING	2
49	TM-34309	TERMINAL, END SECTION, SPRING	1
50	TM-34311	TERMINAL, FUSE HOLDER, 8mm	1
51	TM-34315	TERMINAL, END PLATE	1
52	TM-34437	PARTITION WALL, 1 POLE, FOR	1
53	TM-34438	TERMINAL, SPRING CLAMP, 1 POLE	5
54	TM-34881	TERMINAL, 3.5MM PLUGGABLE, 4 POLE	1
55	TM-34884	TERMINAL, 3.5MM PLUGGABLE, 6 POLE	2
56	TM-34889	TERMINAL, 3.5MM PLUGGABLE, 8 POLE	2
57	TM-34931	TERMINAL, 3.5MM PLUGGABLE, 7 POLE	2
58	TM-34937	TERMINAL, 7-POLE GREEN, MSTB	2
59	TM-35982	TERMINAL, JUMPER BAR 5 POLE	3
60	TM-3778	TERMINALS, *CT, SERIES, 4MM	5
61	TM-3780	TERMINALS, *CT, SER., 35MM	15
62	TM-3782	TERMINAL, GROUND, 35mm	1
63	TM-3783	TERMINAL, WALL, 4MM	1
64	TM-3786	TERMINAL, CT, 35mm WALL, PART	3
65	TM-3788	TERMINALS, MARK, L	3
66	TM-3790	TERMINALS, MARK, 1	1
67	TM-3791	TERMINALS, MARK, 2	1
68	TM-3792	TERMINALS, MARK, 3	1
69	TT-36119	THERMOSTAT, BI-METAL, 100 DEG CLOSE	1
70	WS-22299	WASHER, M3 SPLIT LOCK	2

Note: Refer to MN-35949 Rev.2 for part numbers of wiring chassis for previous models

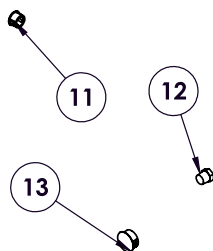
LIQUID CLEANING PACKAGE



5016136
Liquid Cleaning, CTP
110-120V



5016137
Liquid Cleaning, CTP
208-240V

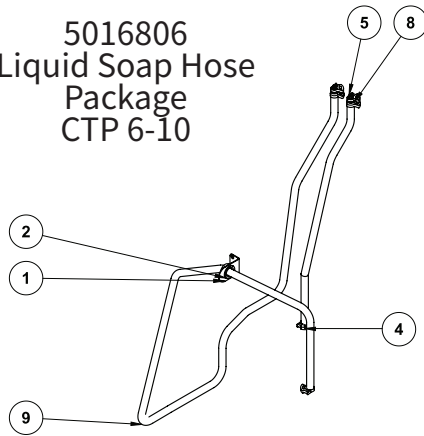


5016137
Liquid Cleaning, CTP
N0 Liquid Cleaning

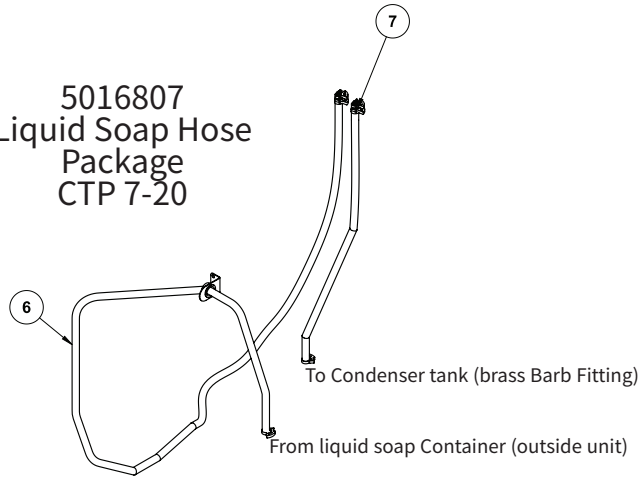
Item	Part	Description	5016134	5016135	5016136
			Qty.	Qty.	Qty.
1	1016601	Bracket, LQ, Pump	-	1	1
2	1017315	Bracket, Liquid Cleaner	-	1	1
3	5016381	Wire Assembly, Cleaning Pumps	-	1	1
4	BU-3007	7/8" Snap Bushing, Black	-	1	1
5	CP-35082	Dispensing Cap, Liq Cleaner	-	1	1
6	FT-36208	Fitting, Barb	-	1	1
7	MO-35408	Motor, 208-240V/1p 50/60Hz	-	-	1
8	MO-35409	Motor, 110-115V/1p 50/60Hz	-	1	-
9	NU-23909	Nut, Hex Insert M5	-	3	3
10	NU-36319	Nut, M4, Keps, Zinc Plated	-	4	4
11	PG-25536	5/8" Hole Plug	1	1	1
12	PG-29895	NPT Pipe Plug, Hex Head, 1/4"	1	-	-
13	PG-3559	Plug, 7/8" Hole, Nylon, Black	1	-	-
14	SC-22273	Screw, M4 x 0.7 x 10mm Pan	-	4	4
15	SC-22779	Screw, M5 x 0.8 x 20mm Pan	-	3	3
16	WS-22295	Washer, Flat M5 S/S	-	2	2
17	WS-22300	Washer, M4 Split Lock	-	4	4
18	WS-22301	Washer, M5 Split Lock	-	3	3

LIQUID CLEANING PACKAGE

5016806
Liquid Soap Hose
Package
CTP 6-10



5016807
Liquid Soap Hose
Package
CTP 7-20



5016808
Liquid Soap
Hose Package
CTP 10-10/10-20



Tabletop/Floor Units

Use one (1) TI-3808 to fasten both hoses to condenser exhaust tube/mater manifold

Floor Units

Use two (2) TI-3808 to tie hoses to lower injection tube hose to prevent hoses From coming in contact with lower motor.

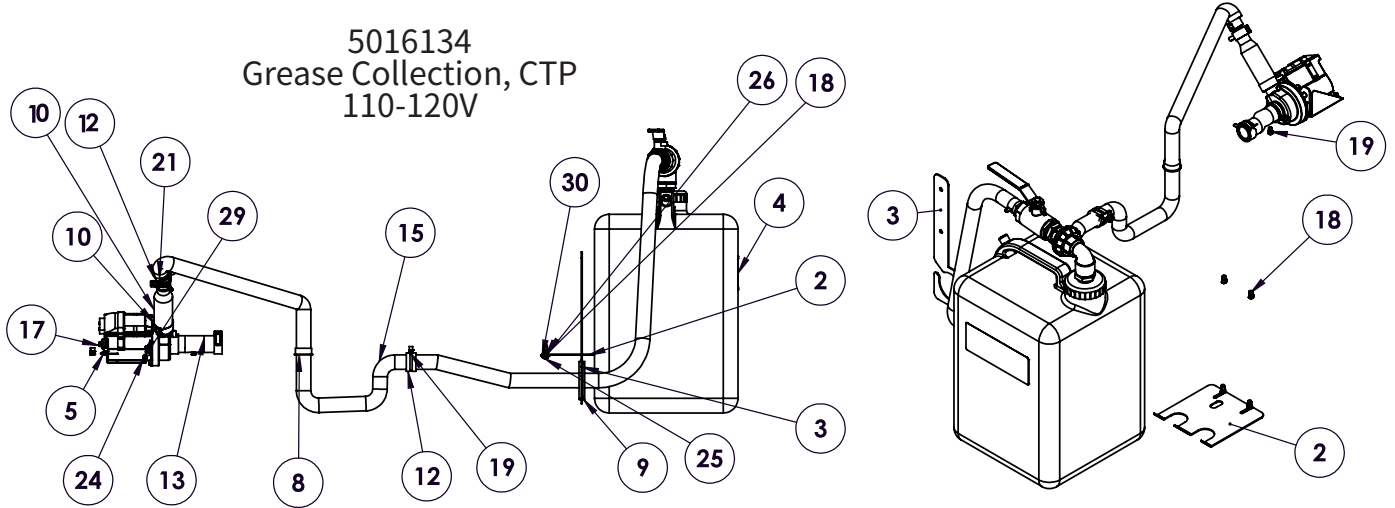
5016809
Liquid Soap
Hose Package
CTP 20-10/20-20



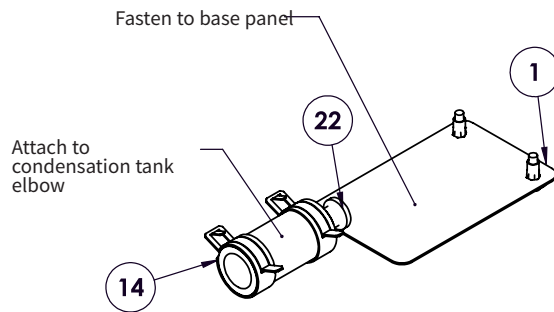
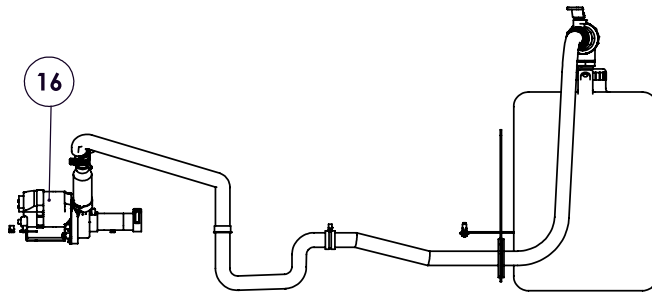
Item	Part	Description	5016806 Qty.	5016807 Qty.	5016808 Qty.	5016809 Qty.	
1	1015799	Bracket, Hose Guide	LSI	1	1	-	-
2	BU-3007	7/8" Snap Bushing, Black		1	1	1	1
3	CM-35831	Clamp, Double Snap-grip, 3/8"	Nylon, 3/8" To 13/32" Clamp	2	2	2	2
4	CM-37316	Clamp, Double Snap-grip, 1/2"	Nylon, 13/32" To 15/32" Clamp	4	4	4	4
5	FT-35434	Coupling, Double Barbed, 1/4"	Liquid Cleaning Injection	2	2	2	2
6	HO-37315	Hose, 1/4" ID, Inlet	1850mm	-	1	-	-
7	HO-37315	Hose, 1/4" ID,	635mm	-	1	-	-
8	HO-37315	Hose, LSI	500mm	1	-	-	-
9	HO-37315	Hose, Supply, LSI	1665mm	1	-	-	-
10	HO-37315	Hose, 1/4" ID, Inlet	2032mm	-	-	1	-
11	HO-37315	Hose, 1/4" ID, Outlet	815mm	-	-	1	-
12	HO-37315	Hose, 1/4" ID, 20-20 Inlet LSI	2270mm	-	-	-	1
13	HO-37315	Hose, 1/4" ID, 20-20 LSI	1550mm	-	-	-	1
14	TI-3808	Tie Wire, 8" (140mm), Natural	With Routing Points	3	3	3	3

GREASE COLLECTION

5016134
Grease Collection, CTP
110-120V



5016135
Grease Collection, CTP
208-240V

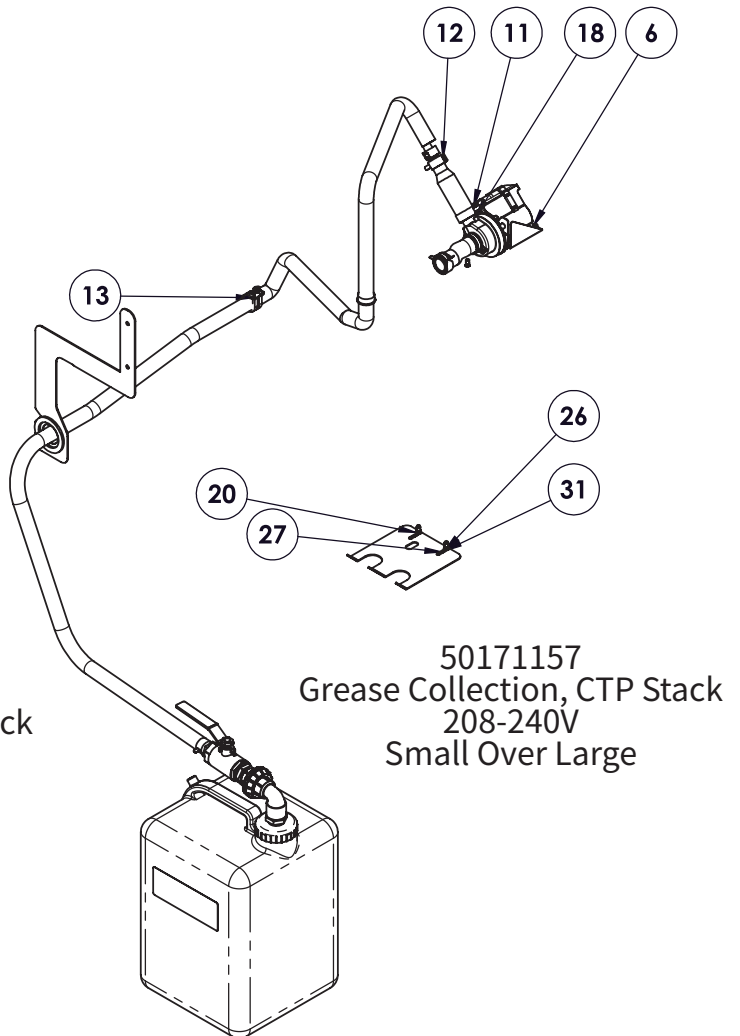
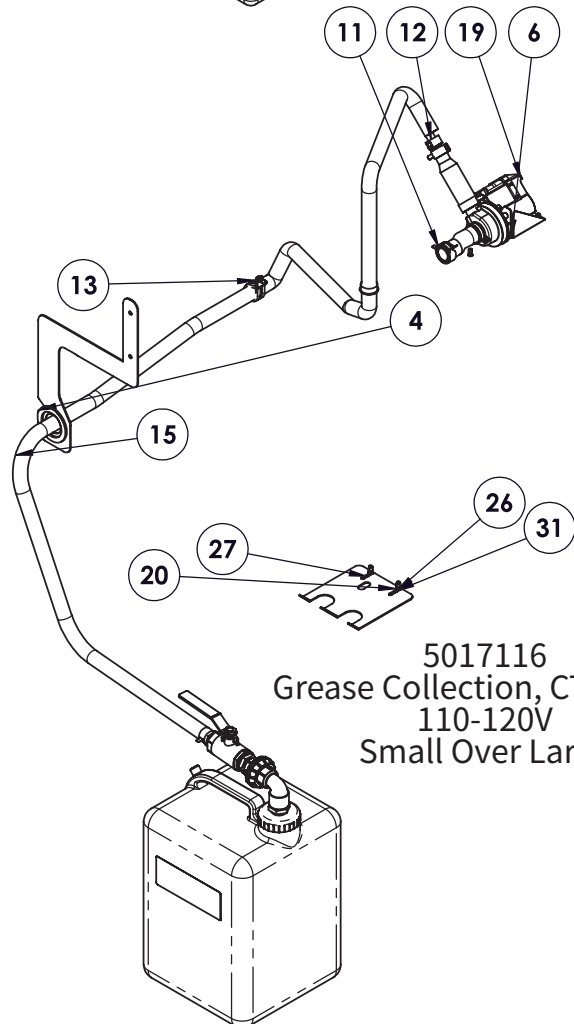
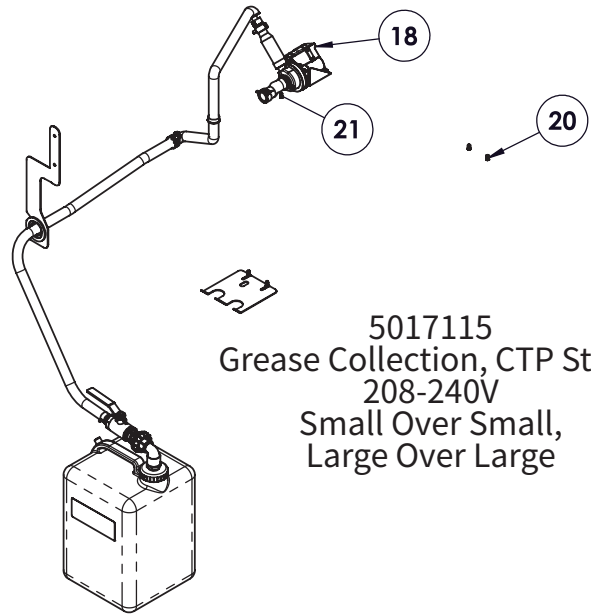
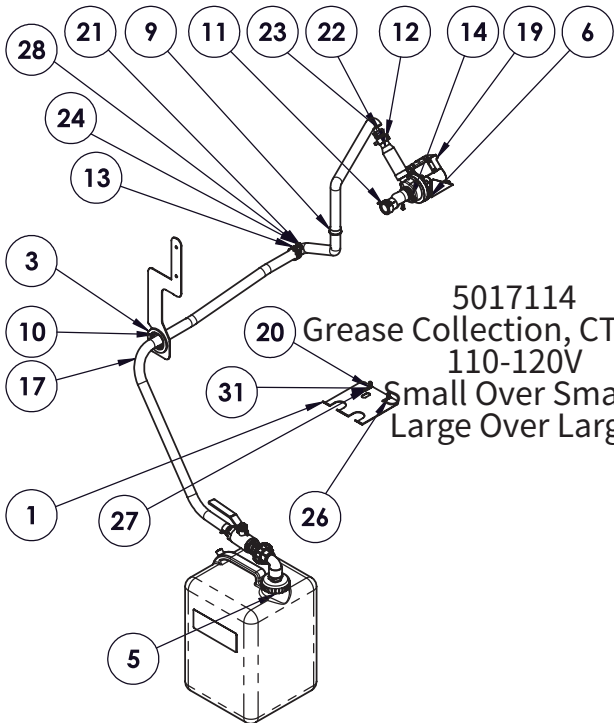


5016136
Grease Collection, CTP
No Grease Collection
Package

GREASE COLLECTION PARTS LIST

Item	Part	Description	5016134	5016135	5016136
			Qty.	Qty.	Qty.
1	1014436	Cover	-	-	1
2	1015416	Bracket, GC Hoses	1	1	-
3	1015428	Bracket, GC Hose	1	1	-
4	5015021	Grease Container	1	1	-
5	5015109	Bracket Assembly, Motor Mounting	1	1	-
6	5017011	Wire Assembly, 110V-240V Grease	1	1	-
7	5019122	Wire Assembly, 110V-240V Grease	1	1	-
8	BU-3378	1-1/8" Snap Bushing	1	1	-
9	BU-22204	Bushing, Socket, Membrane	1	1	-
10	CM-29037	Clamp, Hose, 32mm	3	3	2
11	CM-29301	Clamp, Hose, 23mm	2	2	-
12	CM-35981	Loop Clamp, Sure-grip Cushioned	1	1	-
13	HO-27892_67495_04GC	Hose, 3.25", Condensate Tank Grease Drain	1	1	-
14	HO-27892_GC_PLUG	Hose, 0.875" ID, Plug 2.5" Lg	-	-	1
15	HO-28790_SMALLFTPRINT_GC	Hose, 0.5" ID, GC	1	1	-
16	MO-35160	Pump, Wash System, 220V	-	1	-
17	MO-35262	Pump, Wash System, 110V	1	-	-
18	NU-23909	Nut, Hex Insert M5	4	4	2
19	NU-26866	Nut, Hex Insert M4	2	2	-
20	PB-29289	Reducer, 7/8" x 1/2"	1	1	-
21	PB-29489	Coupler, 1/2" To 1/2"	1	1	-
22	PG-35955	Plug, 7/8"	-	-	1
23	SC-22273	Screw, M4 x 0.7 x 10mm Pan	1	1	-
24	SC-22307	Screw M4.8 x 16mm Phil Pan Head	2	2	-
25	SC-22779	Screw, M5x0.8x20mm Pan	2	2	2
26	WS-22094	Washer, 1/4" Flat, 5/8 OD 18-8 S/S	2	2	2
27	WS-22295	Washer, Flat M5 S/S	1	1	-
28	WS-22300	Washer, M4 Split Lock	1	1	-
29	WS-22300	Washer, Split Lock	2	2	-
30	WS-22302	Washer, Split Lock	2	2	2

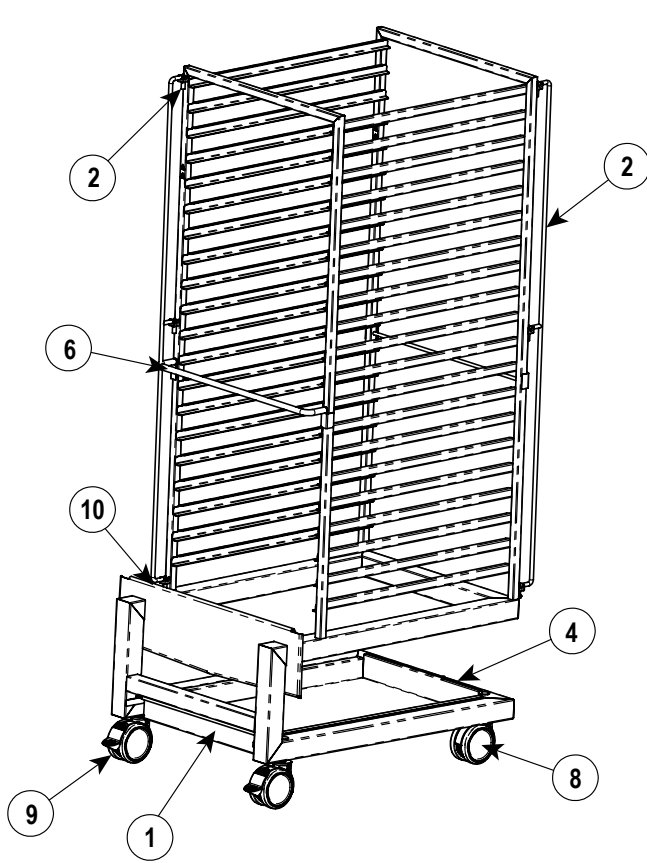
GREASE COLLECTION, STACKED OVENS



GREASE COLLECTION, STACKED OVENS PARTS LIST

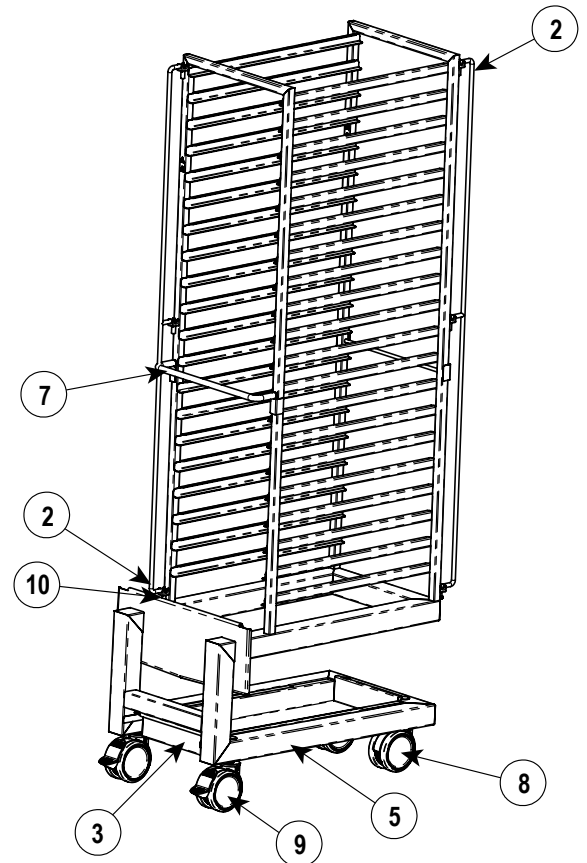
Item	Part	Description	5017115	5017114	5017116	5017117
			Qty.	Qty.	Qty.	Qty.
1	1015416	Bracket, GC Hoses	1	1	1	1
2	1015428	Bracket, GC Hose	-	-	-	-
3	1015536	Bracket, Hose GC 7-20	1	1	-	-
4	1015539	Bracket, Hose, GC 6-10	-	-	1	1
5	5015021	Grease Container	1	1	1	1
6	5015109	Bracket Assembly, Motor Mounting	1	1	1	1
7	5017011	Wire Assembly, 110V-240V Grease	1	1	1	1
8	5019122	Wire Assembly, 110V-240V Grease	1	1	1	1
9	BU-3378	1-1/8" Snap Bushing	1	1	1	1
10	BU-22204	Bushing, Socket, Membrane	1	1	1	1
11	CM-29037	Clamp, Hose, 32mm	3	3	3	3
12	CM-29301	Clamp, Hose, 23mm	2	2	2	2
13	CM-35981	Loop Clamp, Sure-grip Cushioned	1	1	1	1
14	HO-27892_67495_04GC	Hose, 3.25", Condensate Tank Grease Drain	1	1	1	1
15	HO-28790_RH-LRG-UNDER-SM_GC_STACKED	Hose, 0.5" ID, GC, Lg/Sm Stack	-	-	1	1
16	HO-28790_SMALLFTPRINT_GC	Hose, 0.5" ID, GC	-	-	-	-
17	HO-28790_SMALLFTPRINT_GC_STACKED	Hose, 0.5" ID, GC, Stacked	1	1	1	1
18	MO-35160	Pump, Wash System, 220V	1	-	-	1
19	MO-35262	Pump, Wash System, 110V	-	1	1	-
20	NU-23909	Nut, Hex Insert M5	4	4	4	4
21	NU-26866	Nut, Hex Insert M4	2	2	2	2
22	PB-29289	Reducer, 7/8" x 1/2"	1	1	1	1
23	PB-29489	Coupler, 1/2" To 1/2"	1	1	1	1
24	SC-22273	Screw, M4 x 0.7 x 10mm Pan	1	1	1	1
25	SC-22307	Screw M4.8 x 16mm Phil Pan Head	2	2	2	2
26	SC-22779	Screw, M5 x 0.8 x 20mm Pan	2	2	2	2
27	WS-22094	Washer, 1/4" Flat, 5/8 OD 18-8 S/S	2	2	2	2
28	WS-22295	Washer, Flat M5 S/S	1	1	1	1
29	WS-22300	Washer, M4 Split Lock	1	1	1	1
30	WS-22300	Washer, Split Lock	2	2	2	2
31	WS-22302	Washer, Split Lock	2	2	2	2

20-10 AND 20-20 PAN TROLLEY (PRIOR TO 02/2015)



5014652
Trolley, 20-Shelf Pan
Wide

5017148
(Correctional Institution)

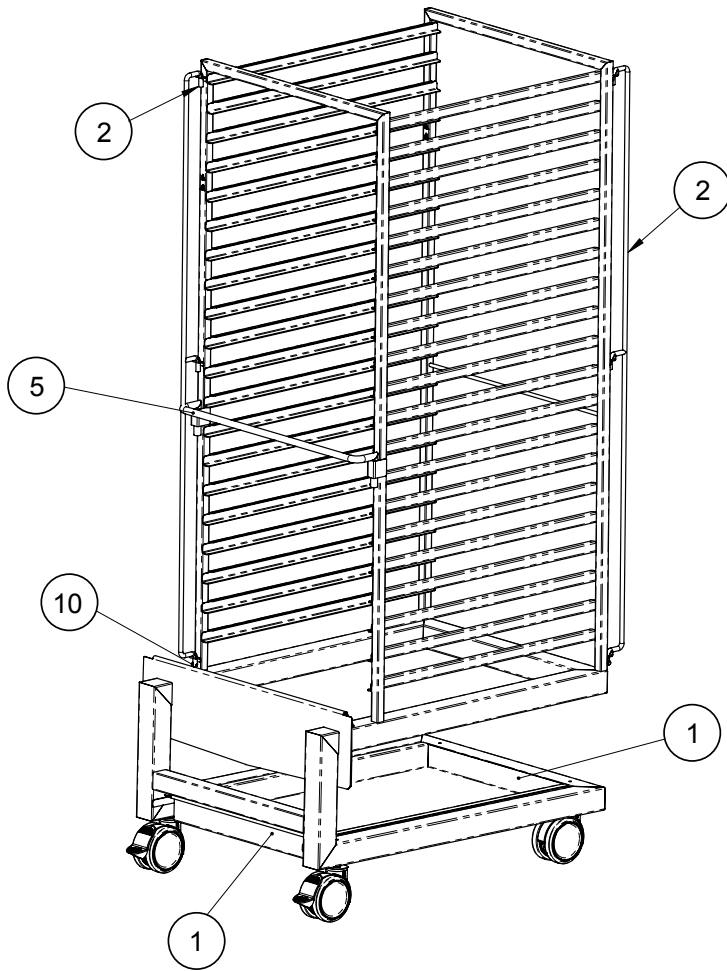


5015049
Trolley, 20-Shelf Pan
Narrow

5017149
(Correctional Institution)

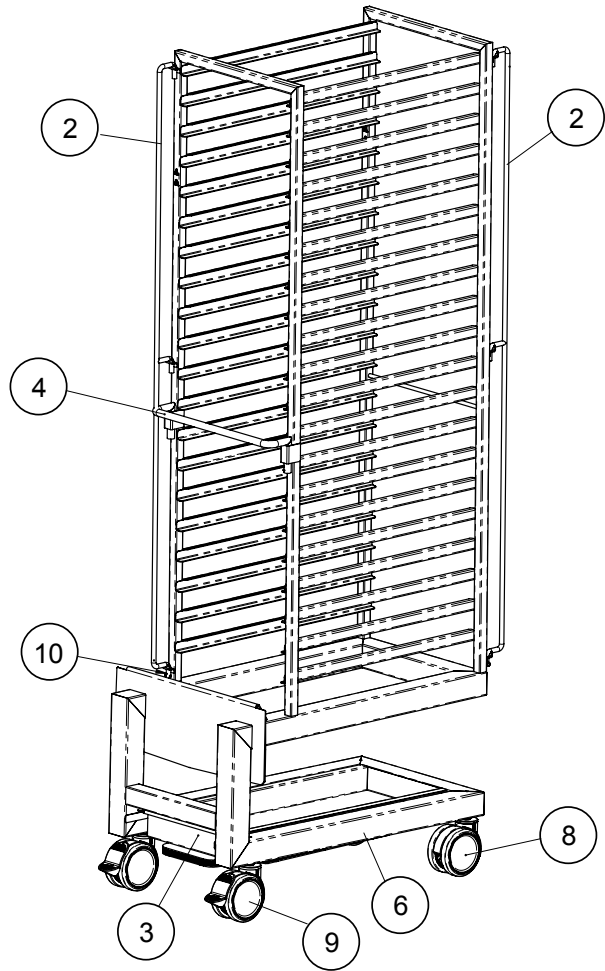
Item	Part	Description	5014652	5015049
			Qty.	Qty.
1	1013084	Pan, Wide Trolley	1	-
2	1014124	Rod, Trolley Lock	2	2
3	1014415	Pan, Narrow Trolley	-	1
4	5015078	Trolley, Frame, Weldment	1	-
5	5015079	Trolley, Frame, Weldment	-	1
6	5017213	20-20 Pan Trolley Handle Weldment	1	-
7	5017214	20-10 Pan Trolley Handle Weldment	-	1
8	CS-36218	Caster, Swivel Caster, No Brake	2	2
9	CS-36219	Caster, Swivel Caster, with Brake	2	2
10	SC-23664	Screw, M4 x 0.7 x 10mm Hex	2	2

20-10 AND 20-20 PAN TROLLEY (AFTER 02/2015)



5017976
Trolley, 20-Shelf Pan, 20-20
Tube Handle, Roll-in Combi

5017148
(Correctional Institution)

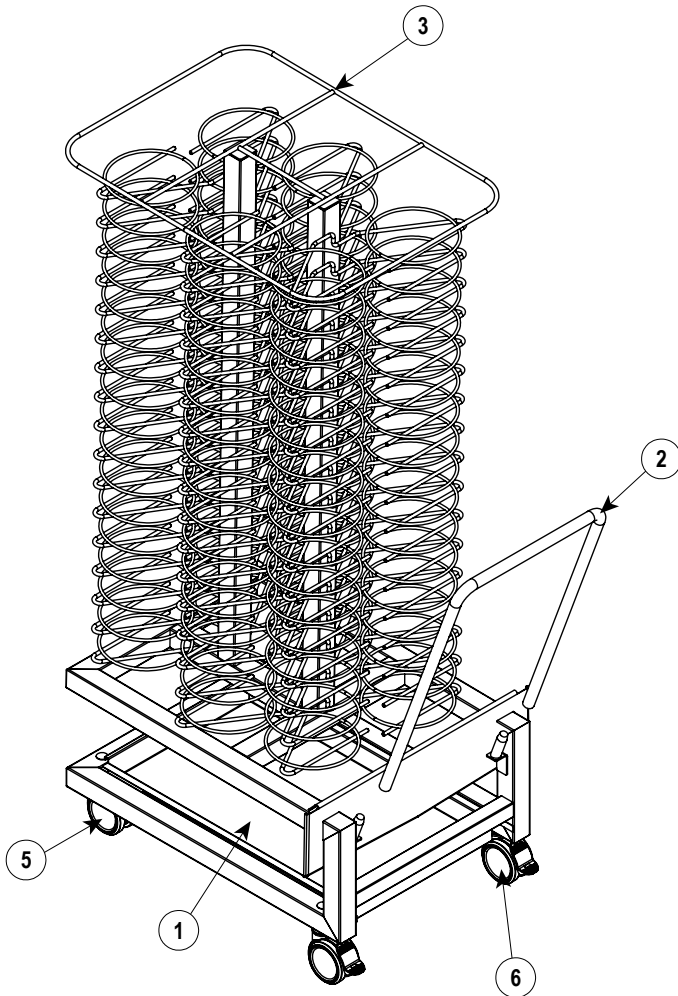


5017975
Trolley, 20-Shelf Pan, 20-10
Tube Handle, Roll-in Combi

5017149
(Correctional Institution)

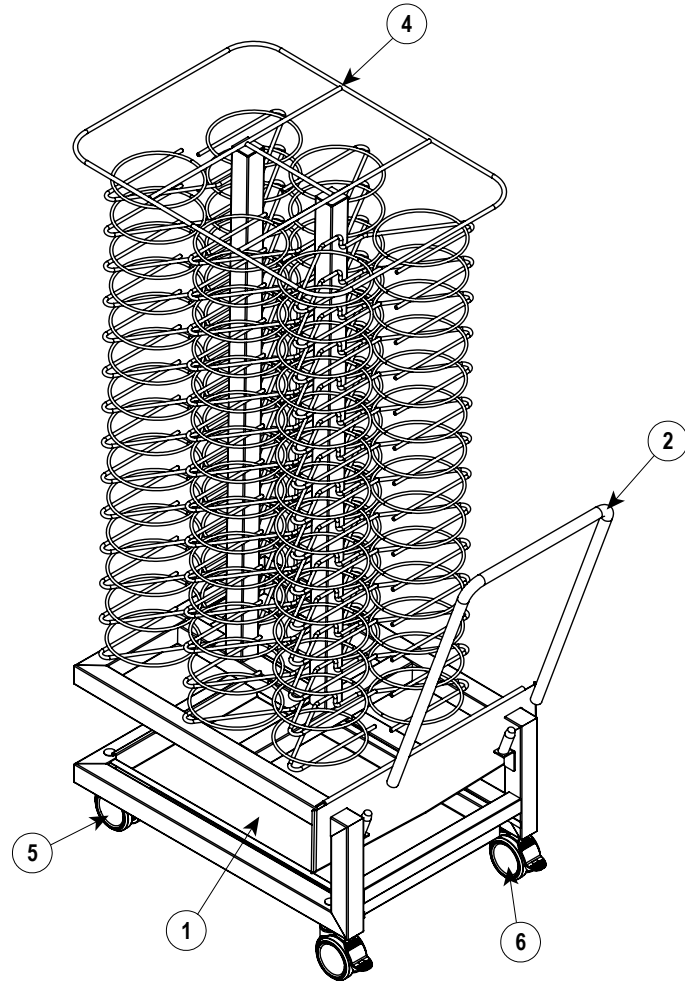
Item	Part	Description	5017976	5017975
			Qty.	Qty.
1	1013084	Pan, Wide Trolley	1	-
2	1014124	Rod, Trolley Lock	2	2
3	1014415	Pan, Narrow Trolley	-	1
4	5017960	20-10 Handle	-	1
5	5017961	20-20 Handle	1	-
6	5017973	20-10 Pan Trolley Handle Weldment	-	1
7	5017974	20-20 Pan Trolley Handle Weldment	1	-
8	CS-36218	Caster, Swivel Caster, No Brake	2	2
9	CS-36219	Caster, Swivel Caster, with Brake	2	2
10	SC-23664	Screw, M4 x 0.7 x 10mm Hex	2	2

20-20 PLATE TROLLEY



5016478
Trolley, 20-20
102-Plate Trolley

5017150
(Correctional Institution)

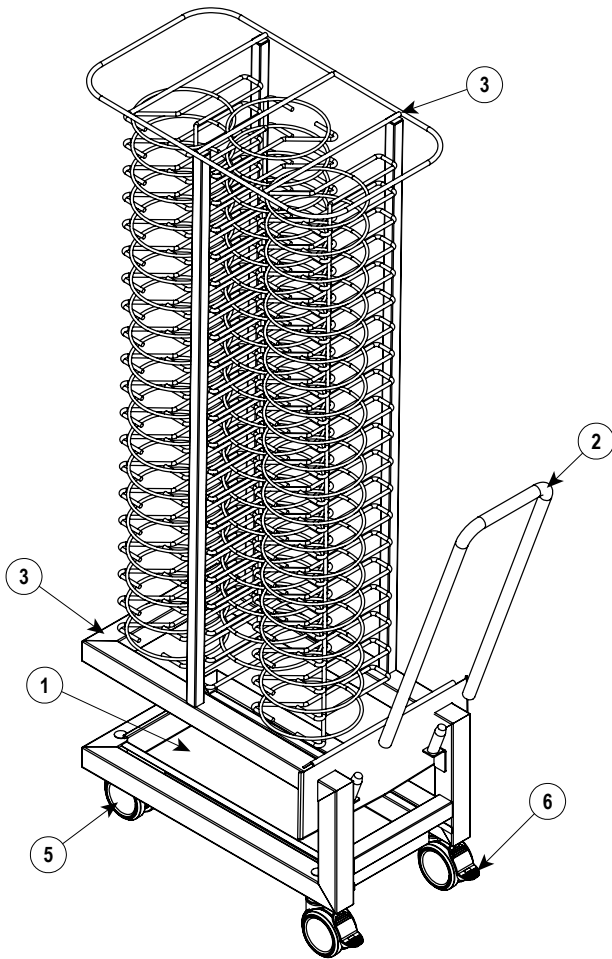


5016480
Trolley, 20-20
82-Plate Trolley

5017151
(Correctional Institution)

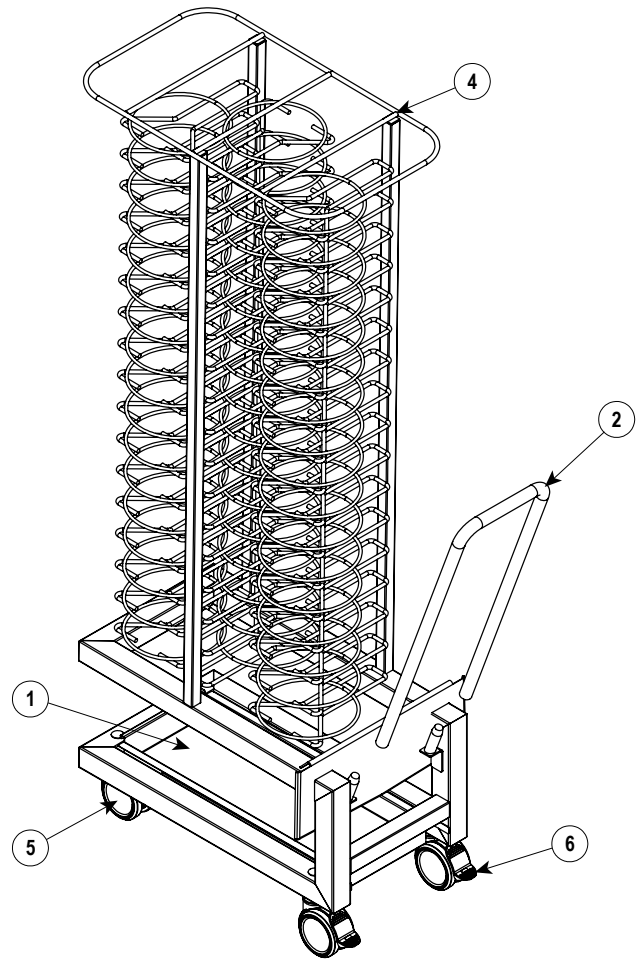
Item	Part	Description	5016478 Qty.	5016480 Qty.
1	1013084	Pan, Wide Trolley	1	1
2	1014577	Handle, 20-20 Plate Trolley	1	1
3	5016455	Trolley, Frame, Weldment	1	-
4	5016479	Trolley, Frame, Weldment	-	1
5	CS-36218	Caster, Swivel Caster, No Brake	2	2
6	CS-36219	Caster, Swivel Caster, with Brake	2	2

20-10 PLATE TROLLEY



5016489
Trolley, 20-10
60-Plate Trolley

5017153
(Correctional Institution)

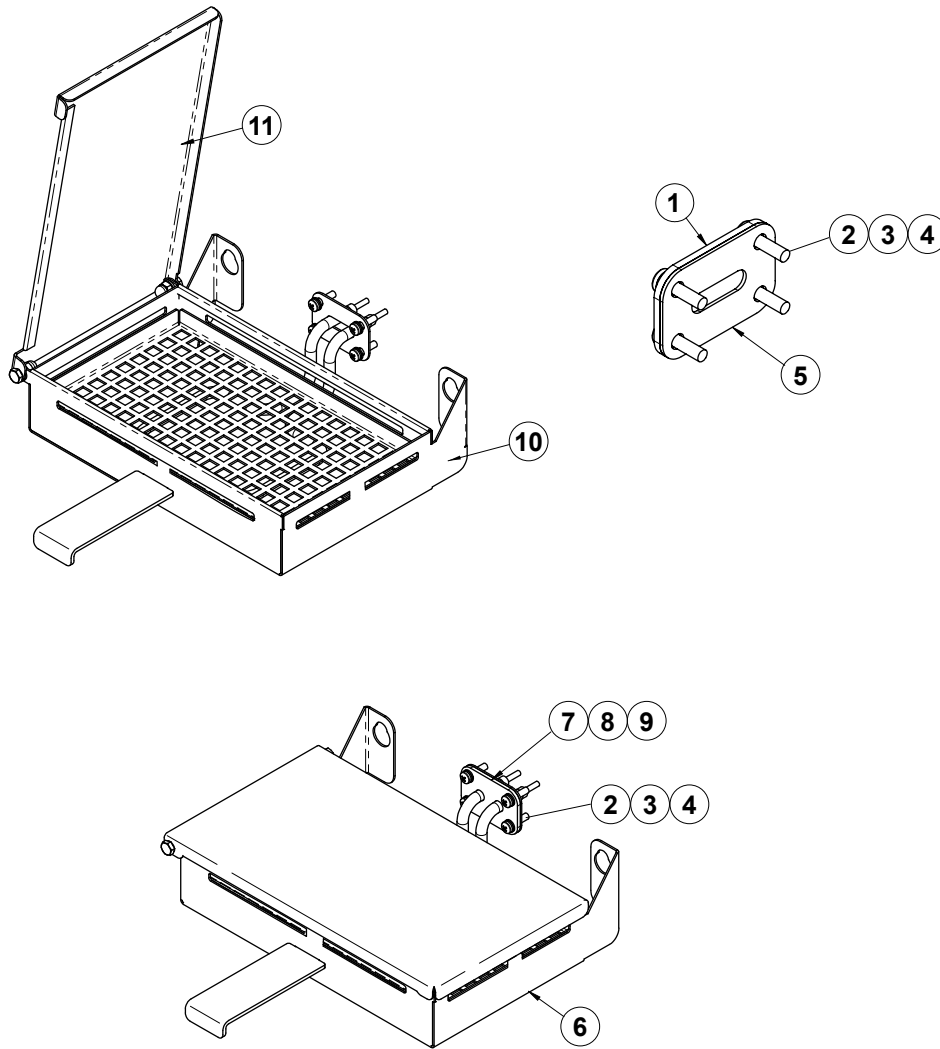


5016490
Trolley, 20-10
51-Plate Trolley

5017154
(Correctional Institution)

Item	Part	Description	5016489	5016490
			Qty.	Qty.
1	1014415	Pan, Narrow Trolley	1	1
2	1014578	Handle, 20-10 Plate Trolley	1	1
3	5016481	Trolley, Frame, Weldment	1	-
4	5016482	Trolley, Frame, Weldment	-	1
5	CS-36218	Caster, Swivel Caster, No Brake	2	2
6	CS-36219	Caster, Swivel Caster, with Brake	2	2

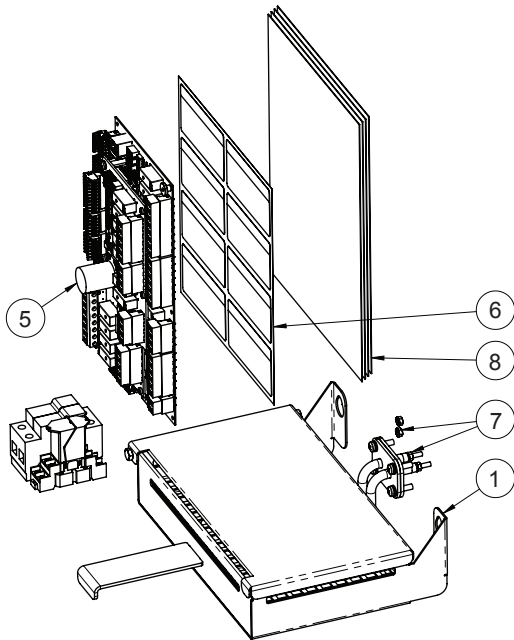
SMOKER CHIP TRAY



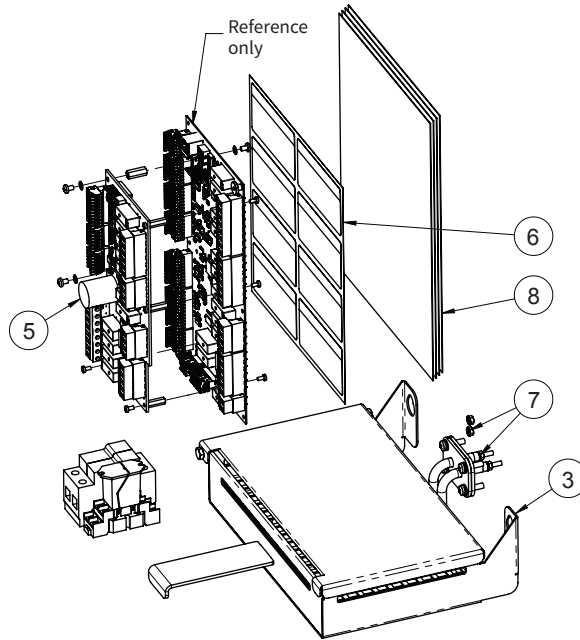
Item	Part	Description	Qty.
1	1013502	Plate, Smoker Cover, Combi	1
2	SC-22779	Screw, M5 x 0.8 x 20mm Pan	4
3	WS-22295	Washer, Flat M5 S/S	4
4	WS-22301	Washer, M5 Split Lock S/S 18-8	4
5	GS-35229	Gasket, Smoker Box	1
6	5021859	Combi Smoker Box Assembly	1
7	EL-35215	Element, Tubular, 110V	-
8	EL-35216	Element, Tubular, 208V or 380V	-
9	EL-35891	Element, Tubular, 440V	-
10	5021854	Weldment, Smoker Box	1
11	1020069	Cover, Smoker Box	1
	*5017322	Kit, 208-240V and 440-480V, Smoker Option, CTP	1
	*5017323	Kit, 380-415V, Smoker Option, CTP	1
	*CE-26277	Cleaner Kit, Smoker	-

*Not shown

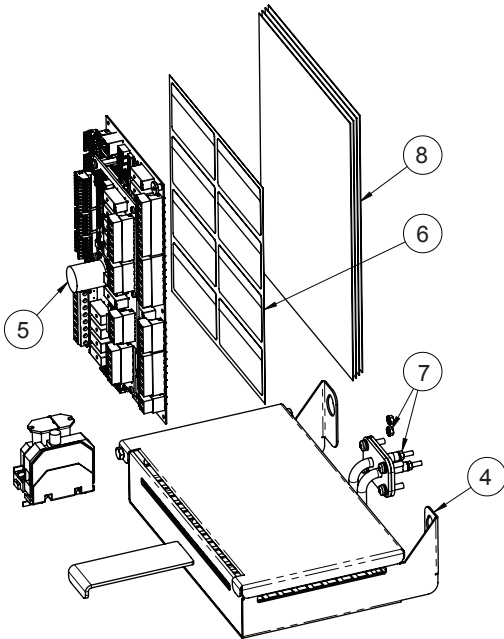
SMOKER OPTION – FIELD INSTALLATION KIT



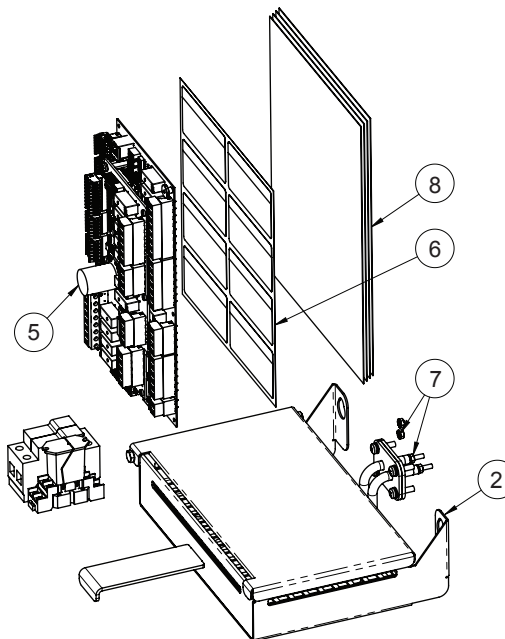
5018332
Field Kit, Smoker Option, 110-120V



5018331
Field Kit, Smoker Option, 208-240V



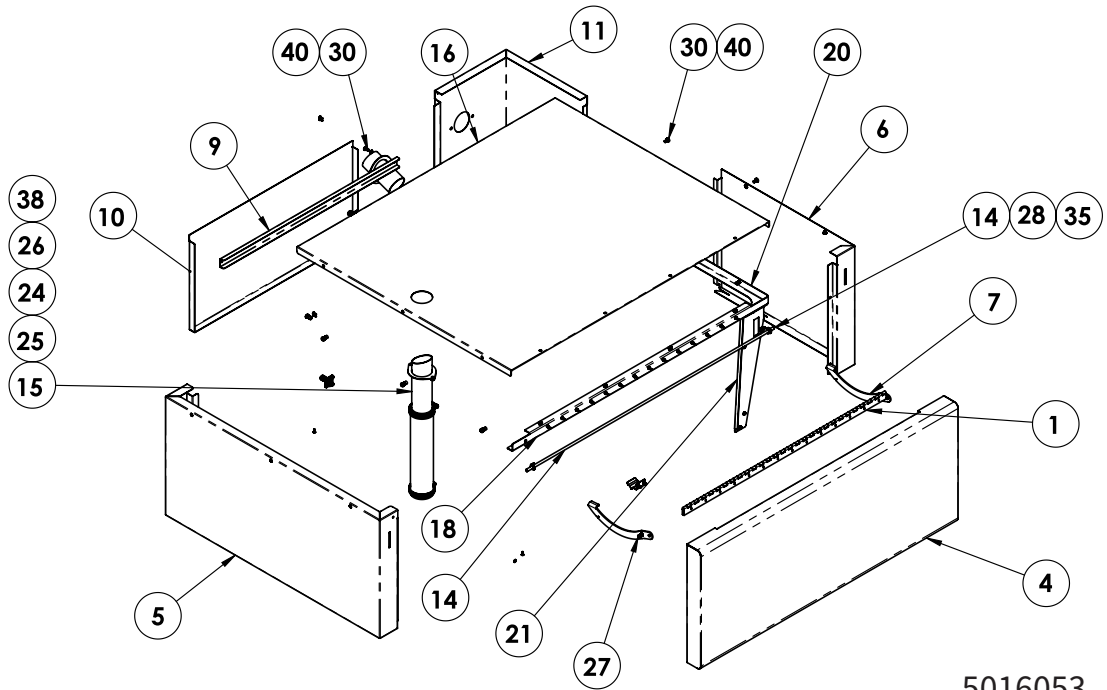
5018373
Field Kit, Smoker Option, 380-415V



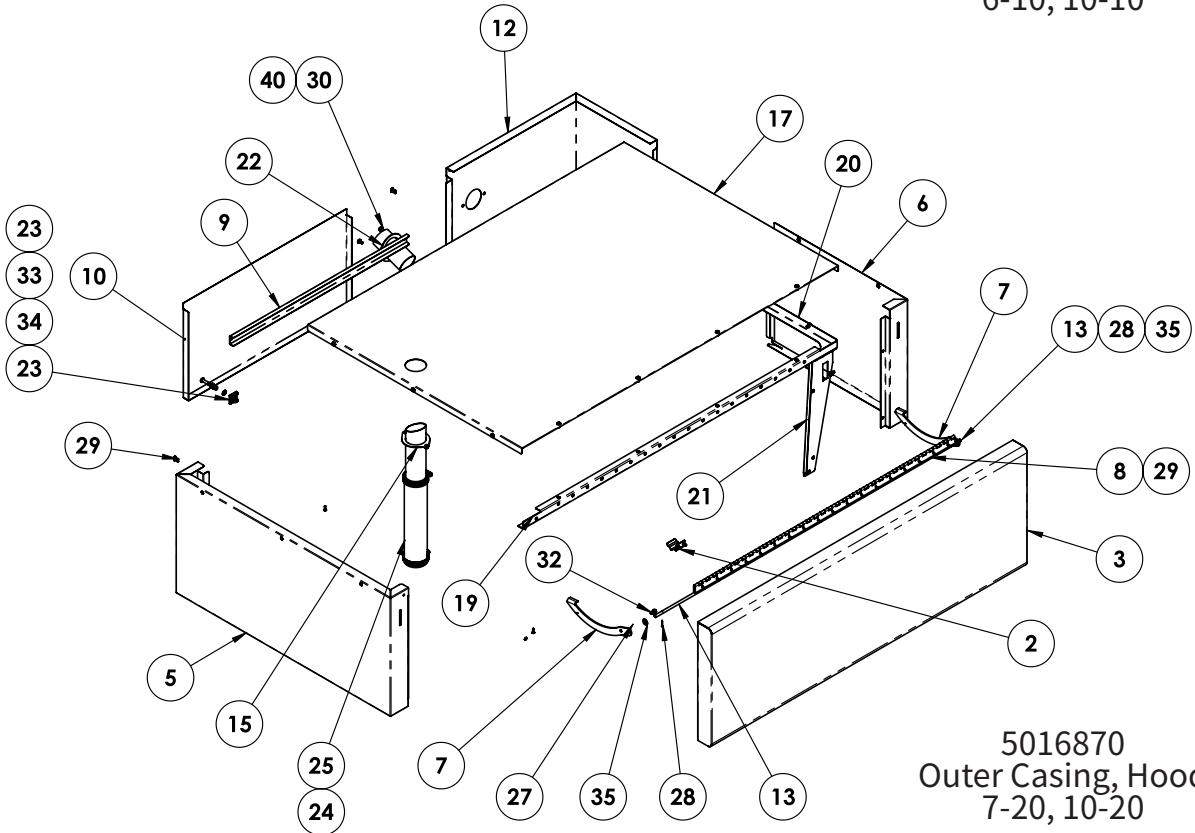
5018372
Field Kit, Smoker Option, 440-480V

			5018331	5018332	5018372	5018373
Item	Part	Description	Qty	Qty	Qty	Qty
1	5015330	Smoker Box Assembly, 110V	-	1	-	-
2	5016132	Smoker Box Assembly, 440V	-	-	1	-
3	5016225	Smoker Box Assembly, 208V	1	-	-	-
4	5016858	Smoker Box Assembly, 380V	-	-	-	1
5	5018107	Service Kit, Option Board	1	1	1	1
6	LA-37278	Label, Smoker Retrofit	1	1	1	1
7	NU-36319	Nut, M4, Keps, Zinc Plated	4	4	4	4
8	SRV-20008	Service Doc	1	1	1	1

VENTLESS HOOD – EXTERIOR



5016053
Outer Casing, Hood
6-10, 10-10

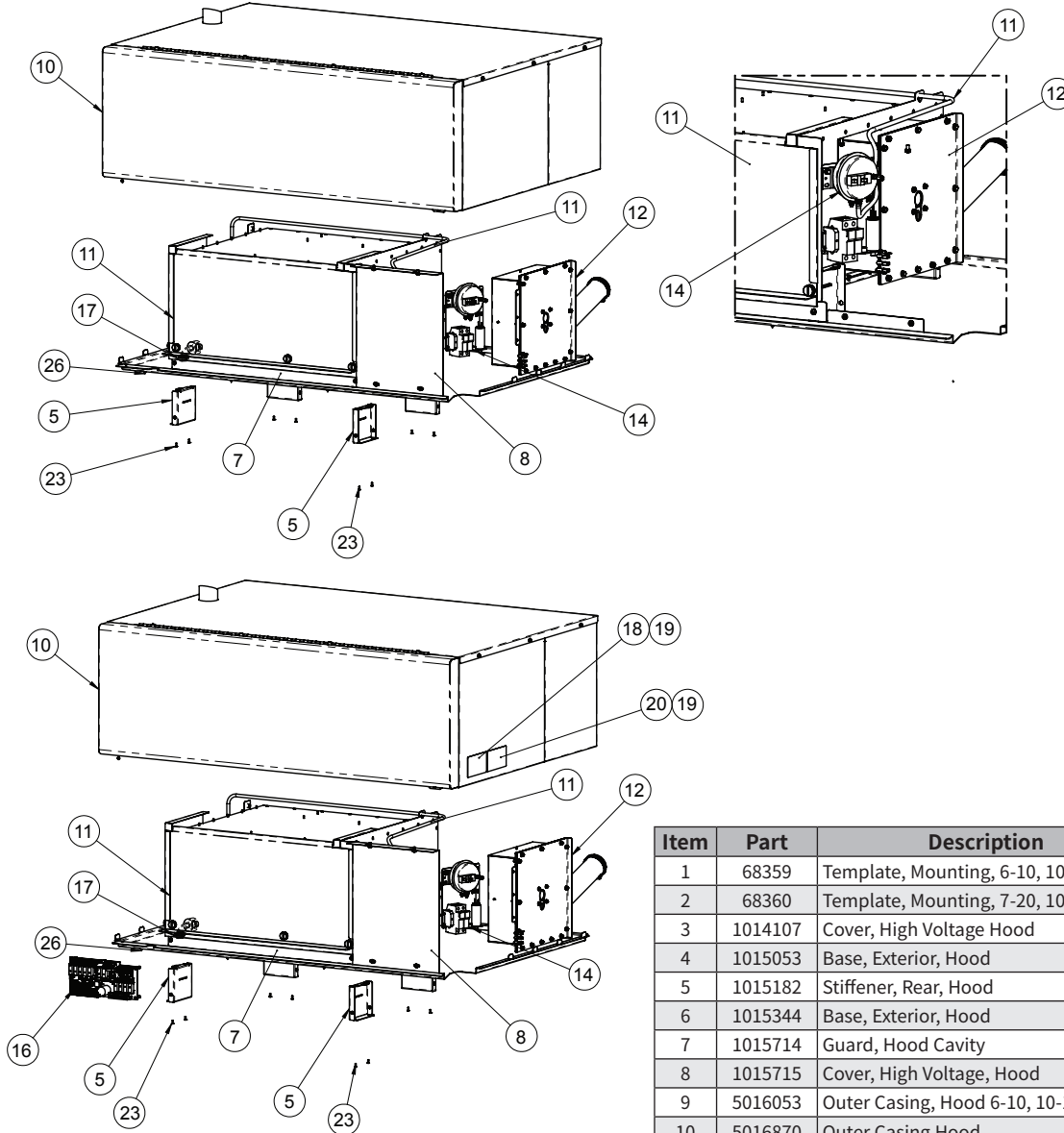


5016870
Outer Casing, Hood
7-20, 10-20

VENTLESS HOOD – EXTERIOR

Item	Part	Description	5016870	5016053
			Qty.	Qty.
1	1014101	Hinge, Piano, 6-10, 10-10 Hood	-	1
2	1014108	Door Clip, Front, Hood	1	1
3	1014977	Front, Exterior Cover, Hood	1	-
4	1015048	Front, Exterior Cover, Hood	-	1
5	1015155	Wall, Left, Exterior, Hood	1	1
6	1015156	Wall, Right, Exterior, Hood	1	1
7	1015159	Support, Door, Hood	2	2
8	1015160	Hinge, Piano, Hood 7-20, 10-20	1	-
9	1015216	Bridge, Rear, Hood	1	1
10	1015217	Cover, Rear, Hood	1	1
11	1015218	Wall, RH, Rear Hood 6-10	-	1
12	1015336	Wall, Right, Exterior, Hood	1	-
13	1015492	Latch Release, Hood, 1/4" Rod	1	-
14	1015493	Latch Release, Hood 1/4" Rod	-	1
15	5014930	Pipe Assembly, Exhaust Weldment	1	1
16	5017080	Cover Assembly, Small Hood	-	1
17	5017081	Cover Assembly, Hood, 7-20, 10-20	1	-
18	5017083	Bridge, Front W-Inserts CTC/CTP	-	1
19	5017358	Bridge, Front W-Inserts CTC/CTP	1	-
20	5017359	RH Support W-Inserts	1	1
21	5017360	Support W-Inserts RH Front Corner	1	1
22	5017498	Pipe Assembly, Exhaust Weldment	1	1
23	CL-22196	Clip, CT, Holding, M6	2	2
24	CL-22234	Clamp, Worm Gear, 40-60, Hose	2	2
25	HO-35321	Hose, 2" ID x 10-1/4", Vent	1	1
26	NU-22289	Nut, M5-0.8 Hex Nut 18-8 DIN # 934	2	2
27	NU-23909	Nut, Hex Insert, M6	7	7
28	PI-36458	Split Pin, Cotter, Metric	2	2
29	RI-27108	Rivet, Sealed	52	42
30	SC-22766	Screw, M5 x 0.8 x 10mm Pan	16	17
31	SC-25849	Screw, 8-32 x 1/2" Pan	2	2
32	SC-36459	Screw, Shoulder, M5, Slot	2	2
33	SD-22194	Spring, CT M6 x 48, Safety	2	2
34	ST-22193	Stud, CT M6 x 27mm, 1/4 Turn	2	2
35	WS-22094	Washer, 1/4", Flat, 5/8 OD 18-8 S/S	2	2
36	WS-22195	Washer, Safety, Steel	2	2
37	WS-22294	Washer, Flat M4 18-8 S/S	2	2
38	WS-22295	Washer, Flat M5 S/S	2	2
39	WS-22300	Washer, M4 Split Lock	3	3
40	WS-22301	Washer, M5 Split Lock	14	14

VENTLESS HOOD – INTERIOR



5017035
Hood Assembly
6-10, 10-10

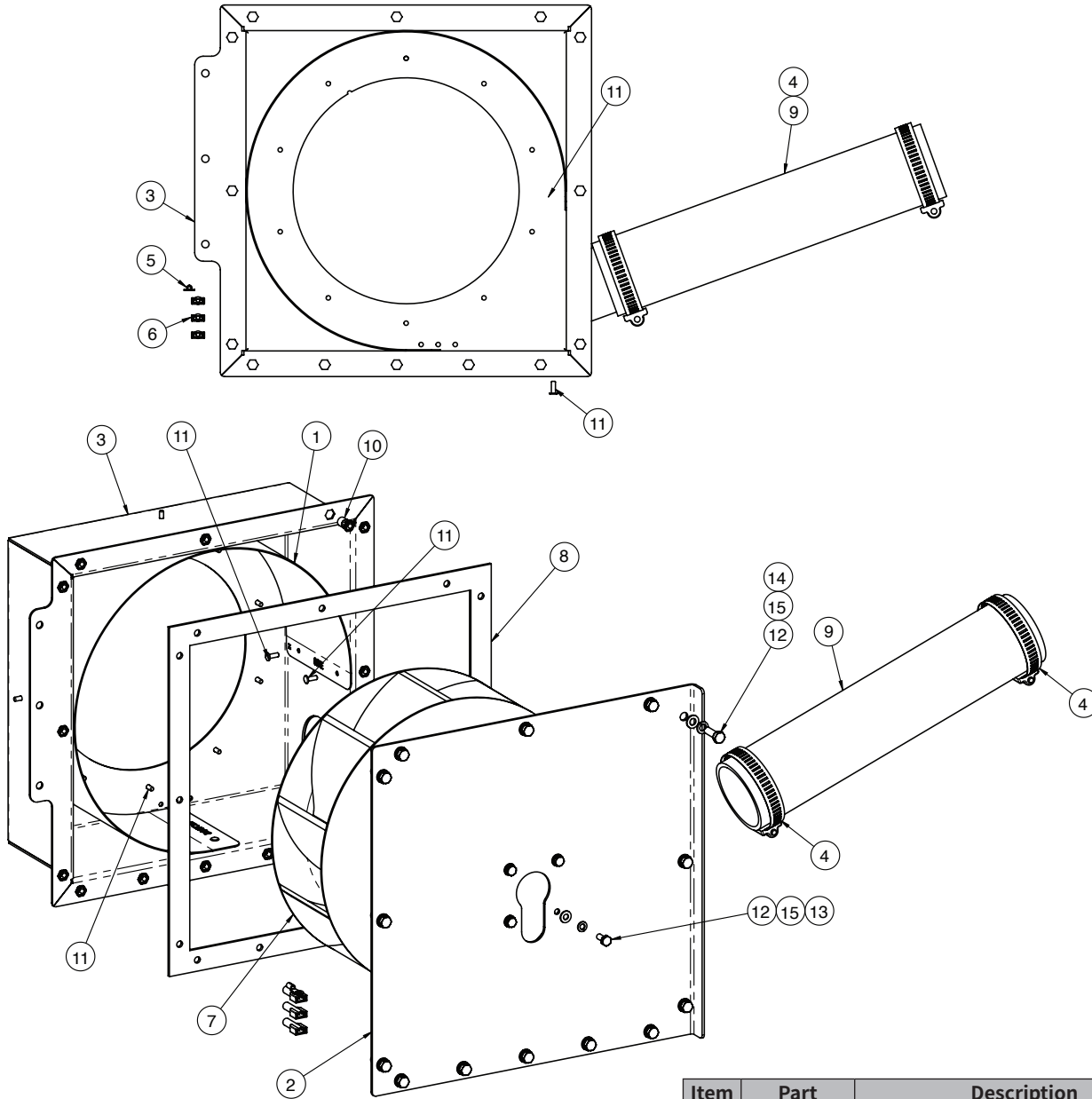
5017034
Hood Assembly
7-20, 10-20

5018105
Hood Assembly
6-10, 10-10, EC Retrofit

5018104
Hood Assembly
7-20, 10-20, CE Retrofit

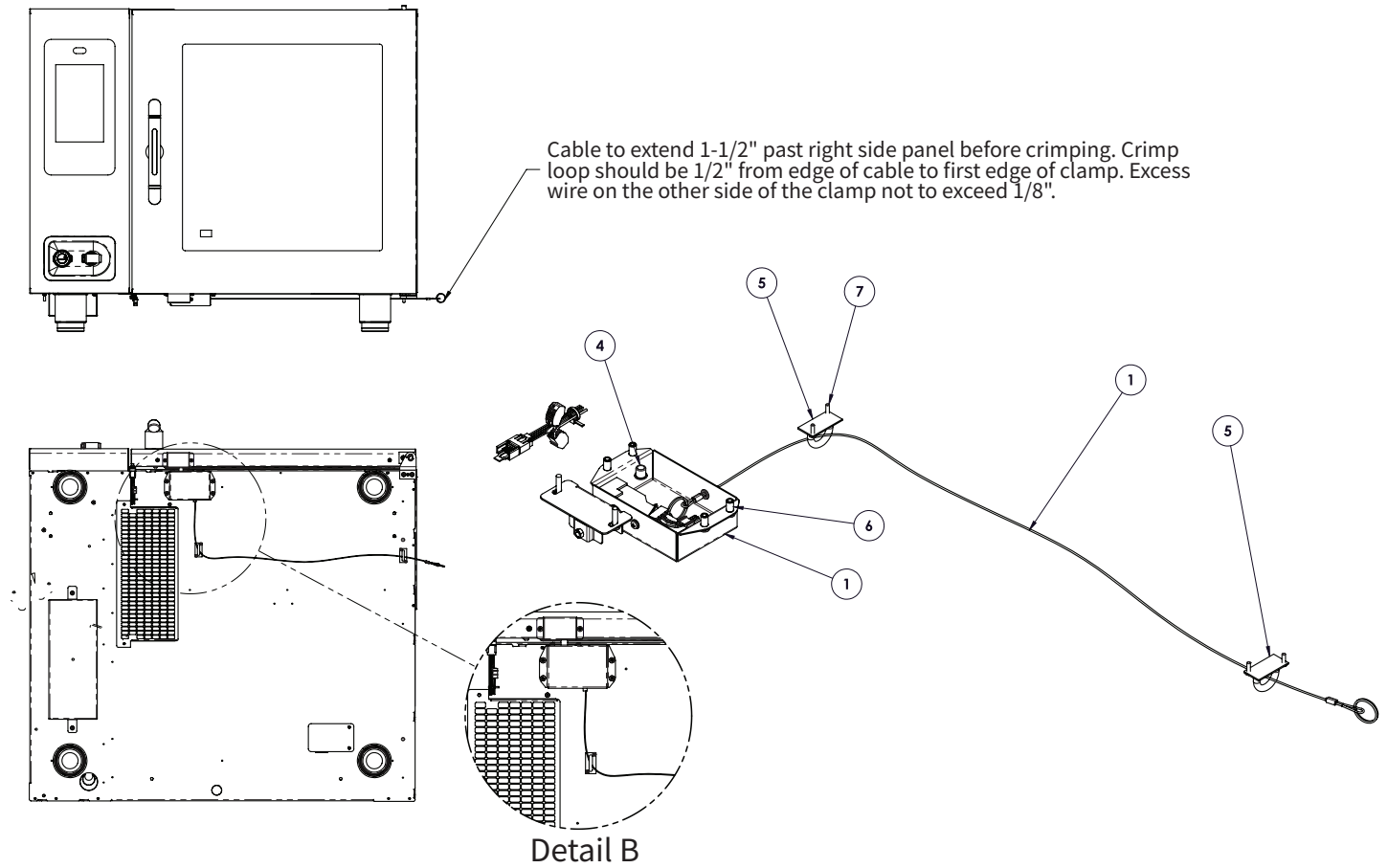
Item	Part	Description				
			5017034	5017035	5018104	5018105
1	68359	Template, Mounting, 6-10, 10-10	-	-	-	1
2	68360	Template, Mounting, 7-20, 10-20	-	-	1	-
3	1014107	Cover, High Voltage Hood	-	1	-	1
4	1015053	Base, Exterior, Hood	-	1	-	1
5	1015182	Stiffener, Rear, Hood	4	4	4	4
6	1015344	Base, Exterior, Hood	1	-	1	-
7	1015714	Guard, Hood Cavity	1	1	1	1
8	1015715	Cover, High Voltage, Hood	1	-	1	-
9	5016053	Outer Casing, Hood 6-10, 10-10	-	1	-	1
10	5016870	Outer Casing Hood	1	-	1	-
11	5017038	Cavity Assembly, Hood 7-20, 10-20	1	-	1	-
12	5017087	Fan Assembly, with Ducting	1	1	1	1
13	5017104	Cavity Assembly, Hood 6-10, 10-10	-	1	-	1
14	5017106	Electrical Plate Assembly, Hood	1	1	1	1
15	5017361	Bracket, Electric Cover with Inserts	1	-	1	-
16	5018107	Service Kit, Option Board	-	-	1	1
17	CR-33179	Connector Flex Nylon Sweep	1	1	1	1
18	LA-26348	Rating Tag Label (Not shown)	-	-	1	1
19	LA-26349	Label, Laminate	-	-	2	2
20	LA-36709	International Electric Certification Tag	-	-	1	1
21	LA-37069	Label, Hood Field Installation	-	-	1	1
22	NU-23909	Nut, Hex Insert M5	2	2	2	2
23	RI-27108	Rivet, Sealed	13	11	13	11
24	SC-22766	Screw, M5 x 0.8 x 10mm Pan	6	3	6	3
25	SC-22926	Screw, M5 x 0.8 x 16mm Hex	1	3	1	3
26	SC-29871	Screw, #8 x 1/2" Hex FLG	6	6	6	6
27	WS-22295	Washer, Flat M5 S/S	7	6	7	6
28	WS-22301	Washer, M5 Split Lock	7	6	7	6
29	5017362	Grease Filter with Spacer	1	1	1	1
30	FI-36620	Charcoal Filter, Class I	1	1	1	1

VENTLESS HOOD – FAN



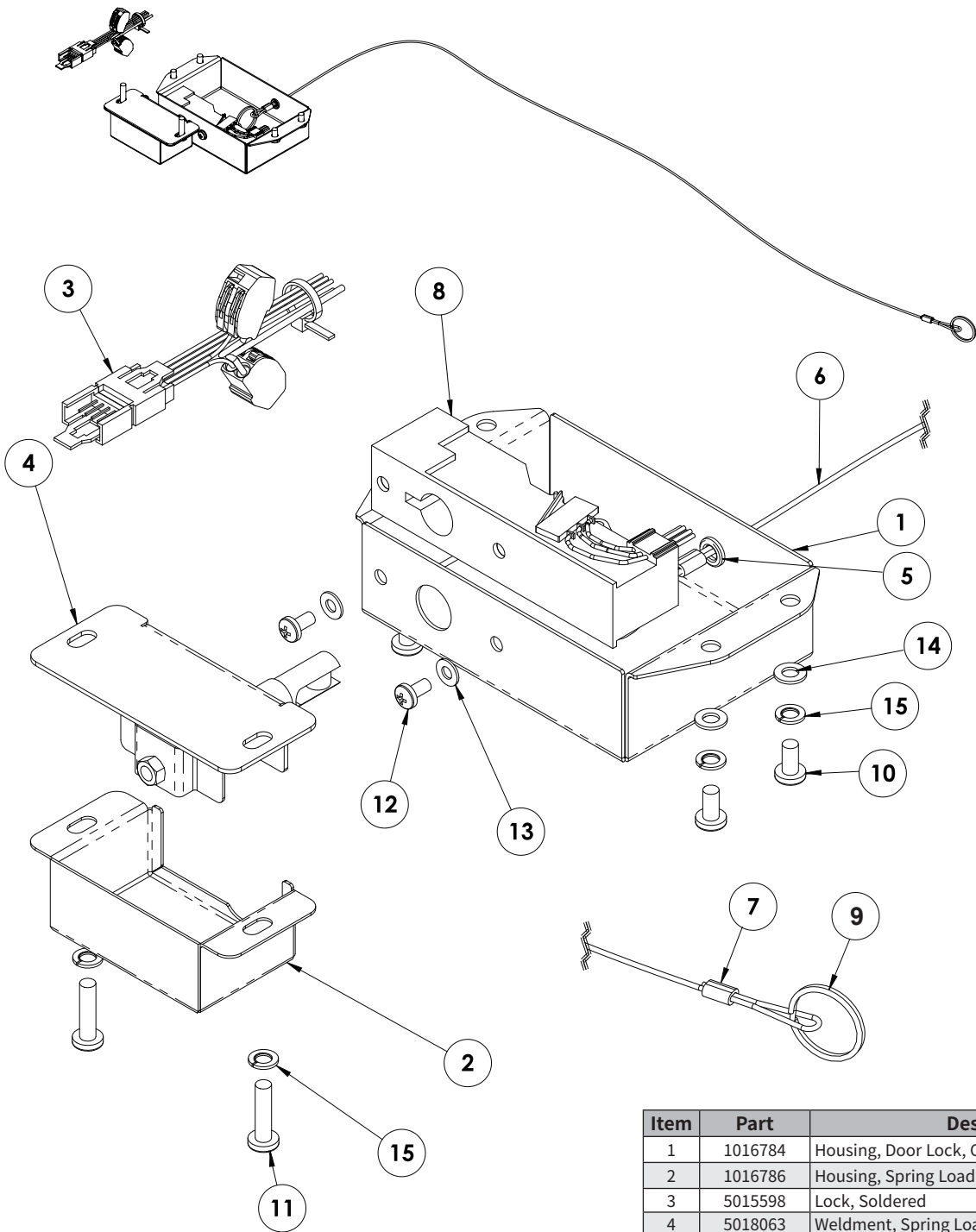
Item	Part	Description	Qty
1	1015179	Director, Air Flow, Fan, Hood	-
2	1015248	Cover, Fan Chamber	-
3	5017580	Weld, Fan Box, Ventless Hood	-
4	CL-22234	Clamp, Worm Gear, 40-60, Hose	-
5	CR-3226	Connector, Terminal, #10 Stud Ring	4
6	CR-33509	Connector, Quick Disconnect	1
7	FA-34497	Fan, 230V, 225mm Dia. 756CFM	1
8	GS-36488	Gasket, Fan Box, Hood	1
9	HO-35321	Hose, 2" ID x 10-1/4", Vent	-
10	NU-23909	Nut, Hex Insert M5	1
11	RI-27108	Rivet, Sealed	1
12	SC-22926	Screw, M5 x 0.8 x 16mm Hex	1
13	WS-22294	Washer, Flat M4 18-8 S/S	-
14	WS-22295	Washer, Flat M5 S/S	1
15	WS-22301	Washer, M5 Split Lock	1

DOOR LATCH



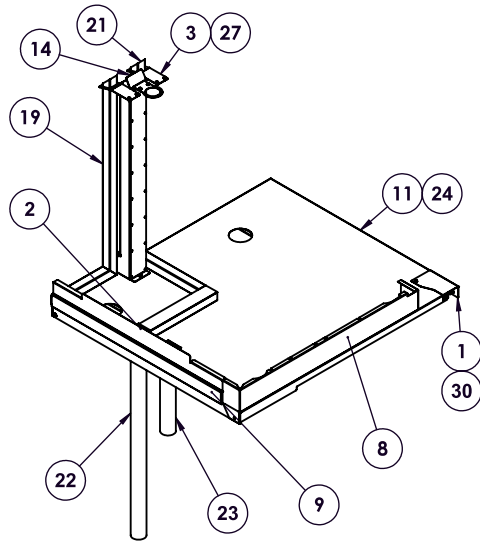
Item	Part	Description	Qty.
1	5017160	Door Lock, Assembly	1
2	5022680	Wire Assembly, Door Latch Option (not shown)	1
4	BU-3419	3/8" Black Hole Bushing	1
5	HL-22683	Holder For CTC Wire	2
6	NU-22385	Insert Nut, Threaded, M5	4
7	RI-27108	Rivet, Sealed	4

DOOR LOCK ASSEMBLY

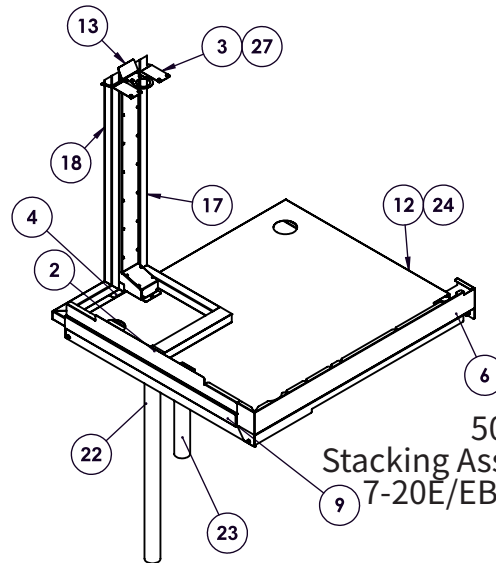


Item	Part	Description	Qty.
1	1016784	Housing, Door Lock, Combi	1
2	1016786	Housing, Spring Loaded Shaft	1
3	5015598	Lock, Soldered	1
4	5018063	Weldment, Spring Loaded Shaft	1
5	BU-3009	Bushing, Snap, 5/16"	1
6	CB-28850	Cable, Wire, Door Latch 42"	1
7	CL-28849	Clip, Crimp For 1/16" Wire Cable	2
8	LK-34292	Lock, GmbH	1
9	PL-28413	Pull, Key Ring, 3/4" Manual	2
10	SC-22766	Screw, M5 x 0.8 x 10mm Pan	4
11	SC-22779	Screw, M5 x 0.8 x 20mm Pan	2
12	SC-35729	Screw, M4 x 0.7 x 8mm Pan	2
13	WS-22294	Washer, Flat M4 18-8 S/S	2
14	WS-22295	Washer, Flat M5 S/S	4
15	WS-22301	Washer, M5 Split Lock	6

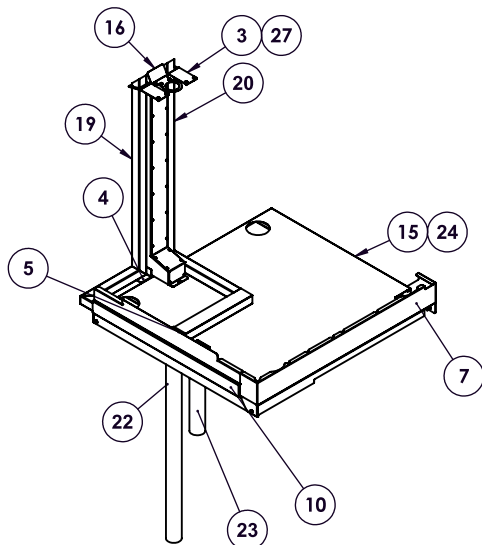
STACKING COMPONENTS – RIGHT HAND DOOR, GAS



5016706, 5016706R
Stacking Assembly, CTC/CTP
6-10E/EB/G Over 7-20G



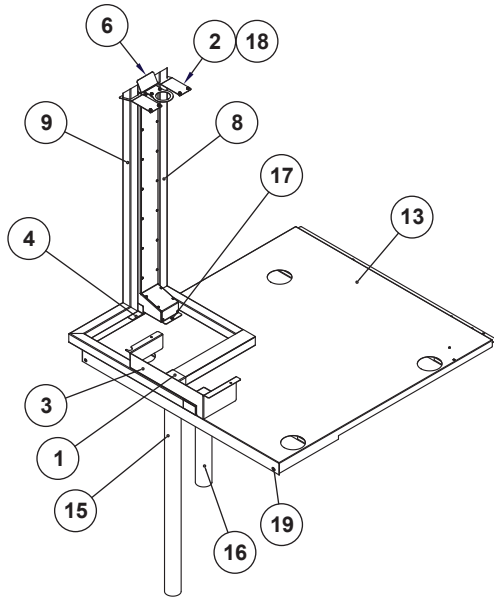
5016707
Stacking Assembly, CTC/CTP
7-20E/EB/G Over 7-20G



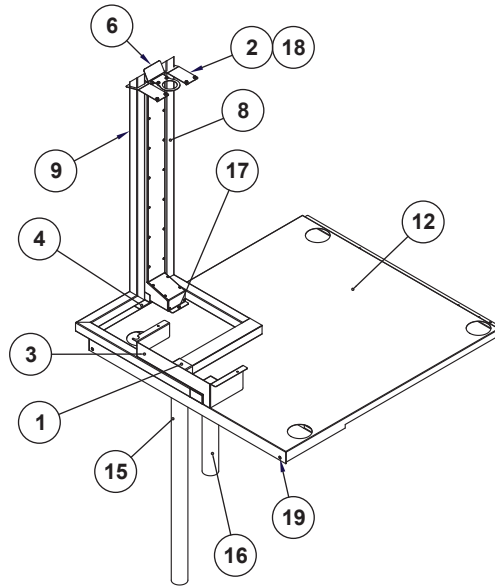
5016708
Stacking Assembly, CTC/CTP
6-10E/EB/G Over 6-10G
6-10E/EB/G Over 10-10G

Item	Part	Description	5016706	5016707	5016708
			Qty.	Qty.	Qty.
1	1014667	Cover, Hinge, Stacking	1	-	-
2	1016059	Bracket, Support Hold Down	1	1	-
3	1016060	Bracket, Support	2	2	2
4	1016064	Bracket, Inlet Flue	-	1	1
5	1016106	Bracket, Support, Holddown	-	-	1
6	1019005	Skirt, Front, CTP-Stack	-	1	-
7	1019031	Skirt, Front, CTP-Stack	-	-	1
8	1019107	Skirt, Front, CTP-Stack	1	-	-
9	5016327	Panel, Stacking Cover, Gas	1	-	-
10	5016503	Panel, Stacking Cover, Gas	-	1	-
11	5016605	Exhaust, Assembly, Gas Stacking	-	1	-
12	5016636	Exhaust, Assembly Gas Stacking	1	-	-
13	5016712	Panel, Stacking Cover, Gas	-	-	1
14	5016732	Exhaust, Assembly Stacking Gas	-	-	1
15	5017530	Flue, Weldment, Exhaust, 7-20	-	1	-
16	5017531	Flue, Weldment, Inlet, 7-20	-	1	-
17	5017532	Flue, Weldment, Inlet, 6-10	1	-	1
18	5017533	Flue, Weldment, Exhaust, 6-10	-	-	1
19	5017534	Flue, Weldment, Exhaust, 6-10	1	-	-
20	HO-35321	Hose 2" OD x 33" Long	1	1	1
21	HO-37289	Hose 2" OD x 12" Long	1	1	1
22	NU-26866	Nut, Hex Insert M4	10	8	8
23	SC-26520	Screw, #10 x 1/2" Hex FLG-SERR	6	6	6
24	WS-22295	Washer, Flat M5 S/S	14	12	12
25	1016063	Cover, LH Stacking	1	1	1

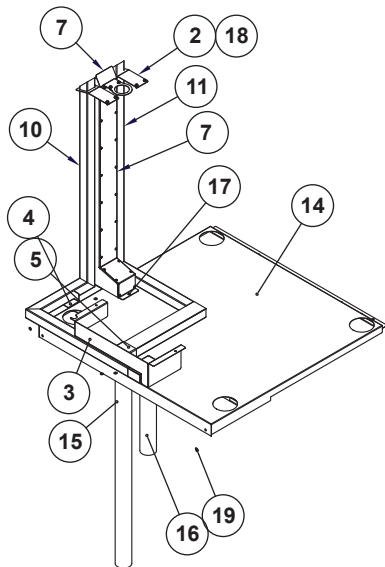
STACKING COMPONENTS – RECESSED DOOR, GAS



5017842
Stacking Assembly, CTC/CTP
6-10E/EB/G Over 7-20G



5017834
Stacking Assembly, CTC/CTP
7-20E/EB/G Over 7-20G

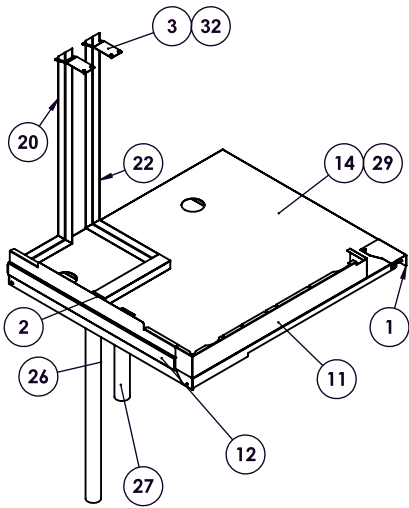


5017843
Stacking Assembly, CTC/CTP
6-10E/EB/G Over 6-10G
6-10E/EB/G Over 10-10G

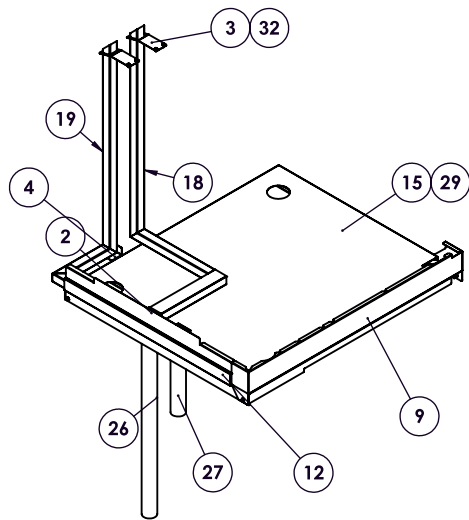
Item	Part	Description	5017834	5017842	5017843
			Qty.	Qty.	Qty.
1	1016059	Bracket, Support Hold Down	1	1	-
2	1016060	Bracket, Support	2	2	2
3	1016063	Cover, LH Stacking	1	1	1
4	1016064	Bracket, Inlet Flue	1	1	1
5	1016106	Bracket, Support, Holddown	-	-	1
6	5016605	Exhaust, Assembly, Gas Stacking	1	1	-
7	5016732	Exhaust, Assembly Stacking Gas	-	-	1
8	5017530	Flue, Weldment, Exhaust, 7-20	1	1	-
9	5017531	Flue, Weldment, Inlet, 7-20	1	1	-
10	5017532	Flue, Weldment, Inlet, 6-10	-	-	1
11	5017533	Flue, Weldment, Exhaust, 6-10	-	-	1
12	5017805	Panel, Stacking Cover	1	-	-
13	5017849	Panel, Stacking Cover	-	1	-
14	5017850	Panel, Stacking Cover	-	-	1
15	HO-35321	Hose 2" OD x 33" Long	1	1	1
16	HO-37289	Hose 2" OD x 12" Long	1	1	1
17	NU-26866	Nut, Hex Insert M4	7	7	7
18	SC-26520	Screw, #10 x 1/2" Hex FLG-SERR	6	6	6
19	WS-22295	Washer, Flat M5 S/S	9	9	9

NOTE: Attachment screws are only necessary to secure Item #6 (5016605), Item #7 (5016732) when stacking an electric unit above a gas unit.

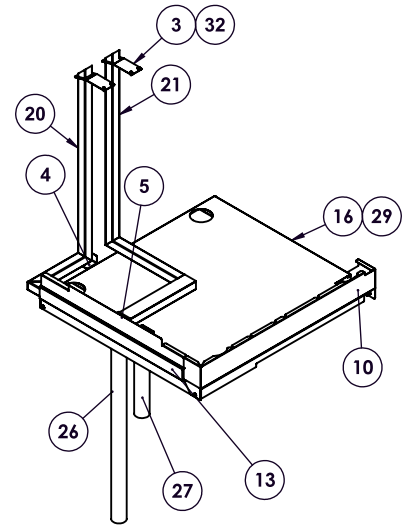
STACKING COMPONENTS – RIGHT HAND DOOR, ELECTRIC



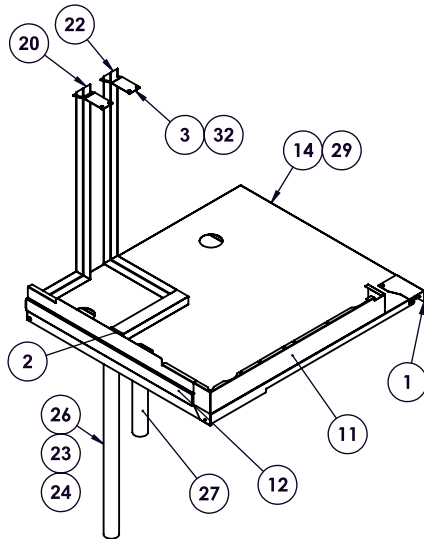
5016709, 5016709R
Stacking Assembly, CTC/CTP
6-10E/G Over 7-20E



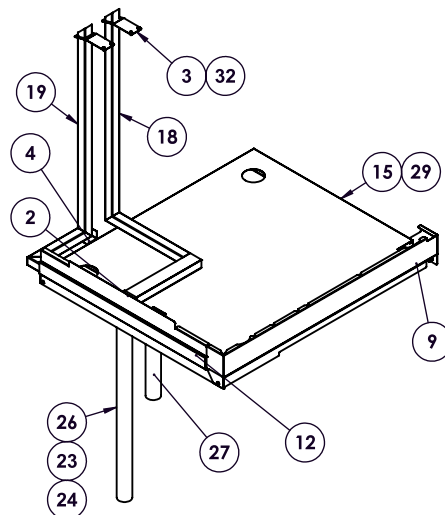
5016710
Stacking Assembly, CTC/CTP
7-20E/G Over 7-20E



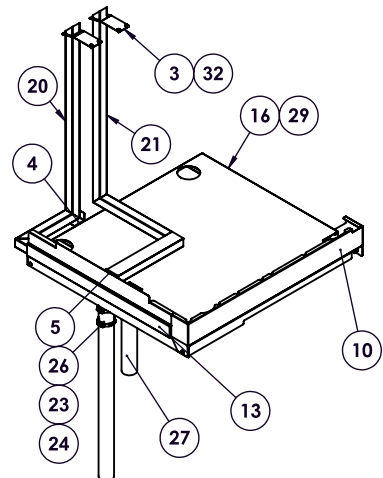
5016711, 5016711R
Stacking Assembly, CTC/CTP
6-10E/G Over 6-10E
6-10E/G Over 10-10E



5017560, 5017560R
Stacking Assembly, CTC/CTP
6-10E/EB/G Over 7-20EB,
6-10EB Over 7-20E

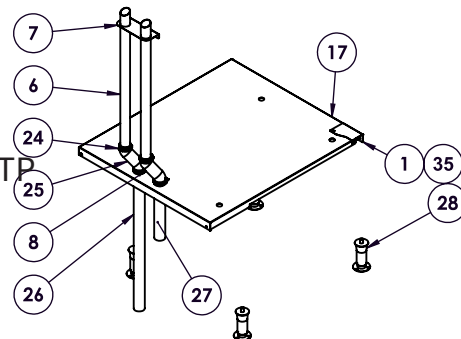


5017561
Stacking Assembly, CTC/CTP
7-20E/EB/G Over 7-20EB,
7-20EB Over 7-20E



5017562
Stacking Assembly, CTC/CTP
6-10E/EB/G Over 6-10EB,
6-10EB Over 6-10E
6-10E/EB/G Over 10-10EB
6-10E/G Over 10-10E

5017409
Stacking Assembly, CTC/CTP
AR-7E Over 7-20E

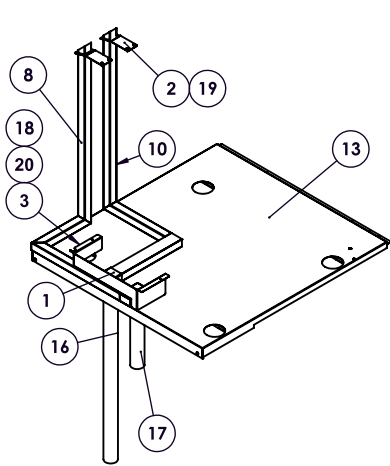


NOTE: Must replace 7-20E feet with LG-24543 to prevent stack from tipping.

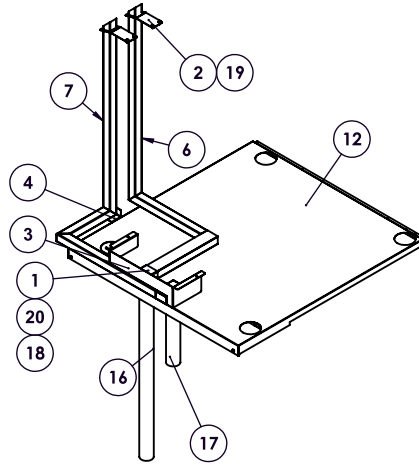
STACKING COMPONENTS – RIGHT HAND DOOR, ELECTRIC PARTS LIST

Item	Part	Description	5016709 Qty.	5016710 Qty.	5016711 Qty.	5016711R Qty.	5017409 Qty.	5017560 Qty.	5017561 Qty.	5017562 Qty.
1	1014667	Cover, Hinge, Stacking	1	-	-	-	1	1	-	-
2	1016059	Bracket, Support Hold Down	1	1	-	-	-	1	1	-
3	1016060	Bracket, Support	2	2	2	2	-	2	2	2
4	1016064	Bracket, Inlet Flue	-	1	1	1	-	-	1	1
5	1016106	Bracket, Support, Holddown,	-	-	1	1	-	-	-	1
6	1016807	Pipe, 2" OD, 16ga, 304 S/S, Exhaust	-	-	-	-	2	-	-	-
7	1016808	Bracket, Exhaust	-	-	-	-	1	-	-	-
8	1016827	Pipe, 2" OD, 16ga, 304 S/S, Exhaust	-	-	-	-	2	-	-	-
9	1019005	Skirt, Front, CTP-Stack	-	1	-	-	-	-	1	-
10	1019031	Skirt, Front, CTP-Stack	-	-	1	1	-	-	-	1
11	1019107	Skirt, Front, CTP-Stack	1	-	-	-	-	1	-	-
12	5016713	Panel, Stacking Cover, Electric	1	-	-	-	-	1	-	-
13	5016714	Panel, Stacking Cover, Electric	-	1	-	-	-	-	1	-
14	5016715	Panel, Stacking Cover, Electric	-	-	1	1	-	-	-	1
15	5017410	Panel, Stacking Cover 7-20	-	-	-	-	1	-	-	-
16	5017530	Flue, Weldment, Exhaust, 7-20	-	1	-	-	-	-	1	-
17	5017531	Flue, Weldment, Inlet, 7-20	-	1	-	-	-	-	1	-
18	5017532	Flue, Weldment, Inlet, 6-10	1	-	1	1	-	1	-	1
19	5017533	Flue, Weldment, Exhaust, 6-10	-	-	1	1	-	-	-	1
20	5017534	Flue, Weldment, Exhaust, 6-10	1	-	-	-	-	1	-	-
21	5017535	Pipe Assembly, Exhaust/Drain	-	-	-	-	-	1	1	1
22	CL-22234	Clamp, Worm Gear, 40-60, Hose	-	-	-	-	4	2	2	2
23	HO-35091	Hose, Offset, 2" OD Tube	-	-	-	-	2	-	-	-
24	HO-35321	Hose 2" OD x 33" Long	1	1	1	1	1	1	1	1
25	HO-37289	Hose 2" OD x 12" Long	1	1	1	1	1	1	1	1
26	LG-24543	6" Seismic Flanged Leg	-	-	-	-	4	-	-	-
27	NU-26866	Nut, Hex Insert M4	7	6	5	5	6	7	6	5
28	SC-26520	Screw, #10 x 1/2" Hex FLG-SERR	4	4	4	4	-	4	4	4
29	SRV-20034	Service Doc, Stack, Lg, CTP/CTC	-	-	-	1	-	-	-	-
30	WS-22295	Washer, Flat M5 S/S	11	10	9	9	9	10	10	9
31	1016063	Cover, LH Stacking	1	1	1	1	-	1	1	1

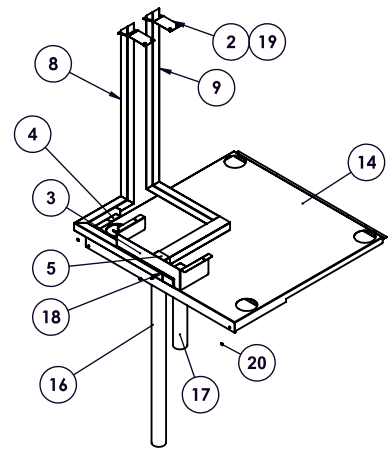
STACKING COMPONENTS – RECESSED DOOR, ELECTRIC



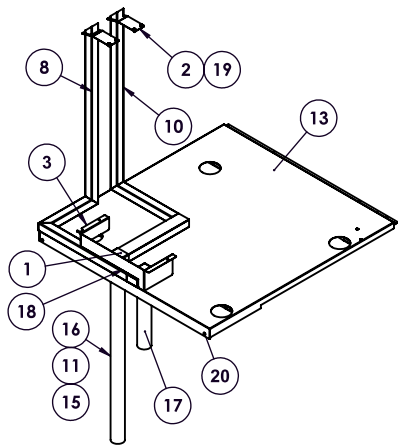
5017844
Stacking Assembly, CTC/CTP
6-10E/EB/G Over 7-20E



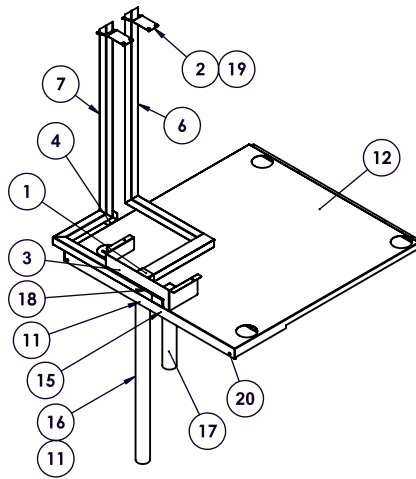
5017845
Stacking Assembly, CTC/CTP
7-20E/G Over 7-20E



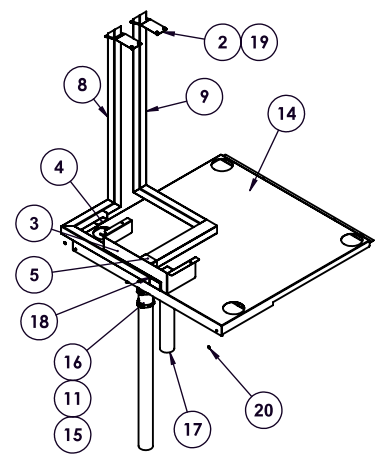
5017846
Stacking Assembly, CTC/CTP
6-10E/EB/G Over 6-10E
6-10E/EB/G Over 10-10E



5017855
Stacking Assembly, CTC/CTP
6-10E/EB/G Over 7-20EB



5017856
Stacking Assembly, CTC/CTP
7-20E/EB/G Over 7-20EB
7-20EB Over 7-20E

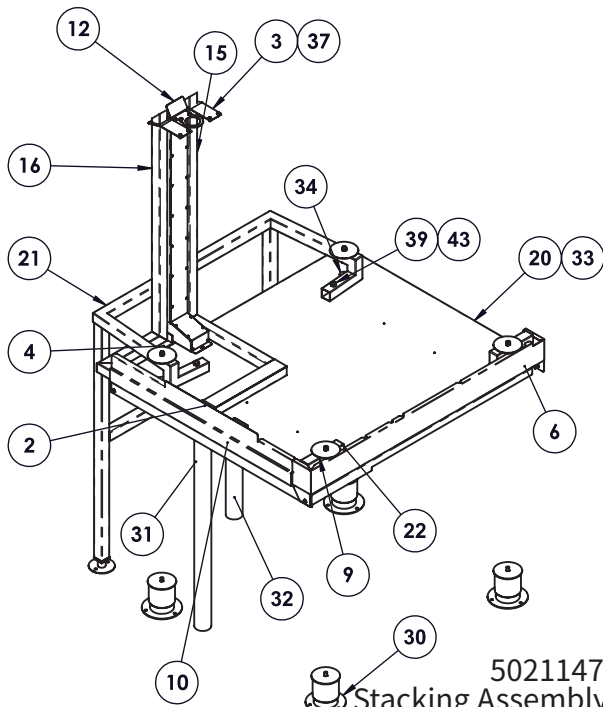


5017857
Stacking Assembly, CTC/CTP
6-10E/EB/G Over 6-10EB
6-10E/EB/G Over 10-10EB

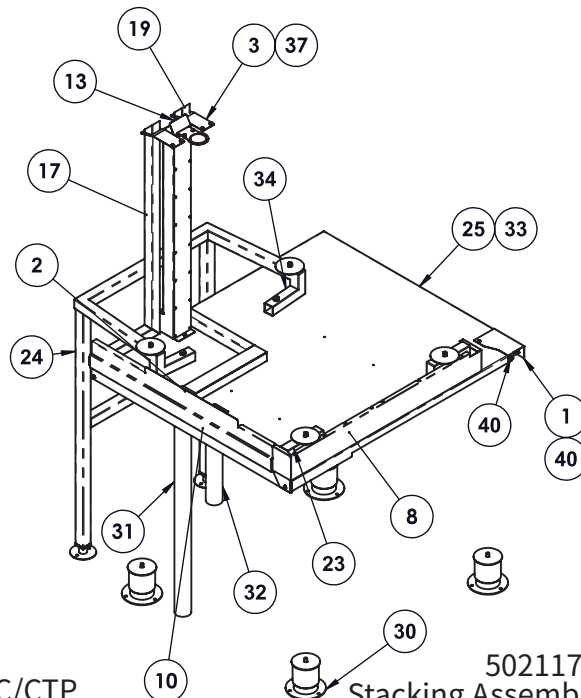
STACKING COMPONENTS – RECESSED DOOR, ELECTRIC PARTS LIST

Item	Part	Description	5017844	5017845	5017846	5017855	5017856	5017857
			Qty.	Qty.	Qty.	Qty.	Qty.	Qty.
1	1016059	Bracket, Support Hold Down	1	1	-	1	1	-
2	1016060	Bracket, Support	2	2	2	2	2	2
3	1016063	Cover, LH Stacking	1	1	1	1	1	1
4	1016064	Bracket, Inlet Flue	-	1	1	-	1	1
5	1016106	Bracket, Support, Holddown,	-	-	1	-	-	1
6	5017530	Flue, Weldment, Exhaust, 7-20	-	1	-	-	1	-
7	5017531	Flue, Weldment, Inlet, 7-20	-	1	-	-	1	-
8	5017532	Flue, Weldment, Inlet, 6-10	1	-	1	1	-	1
9	5017533	Flue, Weldment, Exhaust, 6-10	-	-	1	-	-	1
10	5017534	Flue, Weldment, Exhaust, 6-10	1	-	-	1	-	-
11	5017535	Pipe Assembly, Exhaust/Drain	-	-	-	1	1	1
12	5017851	Panel, Stacking Cover	-	1	-	-	1	-
13	5017852	Panel, Stacking Cover	1	-	-	1	-	-
14	5017853	Panel, Stacking Cover	-	-	1	-	-	1
15	CL-22234	Clamp, Worm Gear, 40-60, Hose	-	-	-	2	2	2
16	HO-35321	Hose 2" OD x 33" Long	1	1	1	1	1	1
17	HO-37289	Hose 2" OD x 12" Long	1	1	1	1	1	1
18	NU-26866	Nut, Hex Insert M4	2	5	4	2	5	4
19	SC-26520	Screw, #10 x 1/2" Hex FLG-SERR	4	4	4	4	4	4
20	WS-22295	Washer, Flat M5 S/S	4	7	6	4	7	6

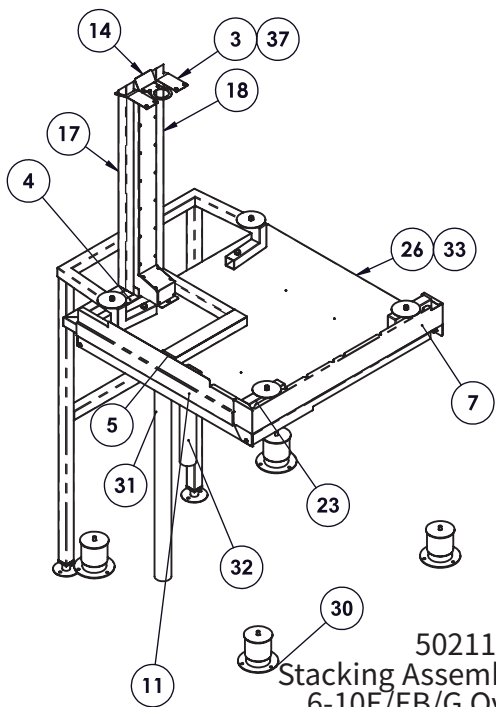
GAS STACKING COMPONENTS – RIGHT HAND DOOR, SEISMIC



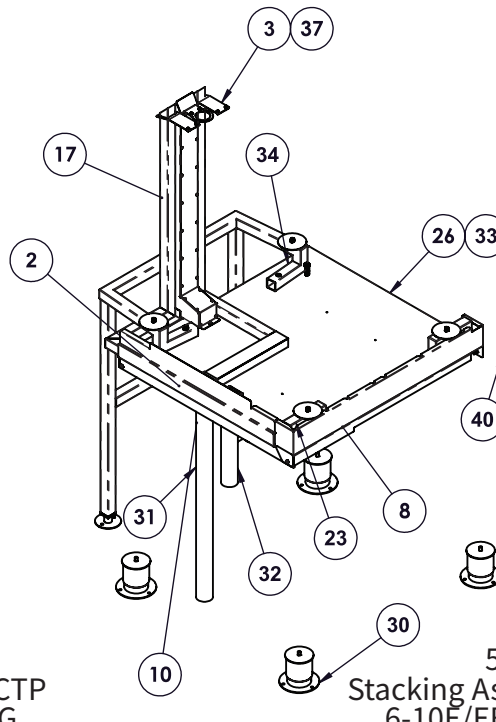
5021147
Stacking Assembly, CTC/CTP
7-20E/EB/G Over 7-20G



5021175
Stacking Assembly, CTC/CTP
6-10E/EB/G Over 7-20G



5021176
Stacking Assembly, CTC/CTP
6-10E/EB/G Over 10-10G



5021958
Stacking Assembly, CTC/CTP
6-10E/EB/G Over 6-10G

NOTE: (2x) attachment screws (37) are only necessary to secure Item #12 (5016605), Item #13 (5016636), or Item #14 (5016732) when stacking an electric unit above a gas unit.

NOTE: Use 316 stainless steel 1/4" (7mm) diameter concrete anchors with a minimum install depth of 1-14" (32mm) when installing feet to ground.

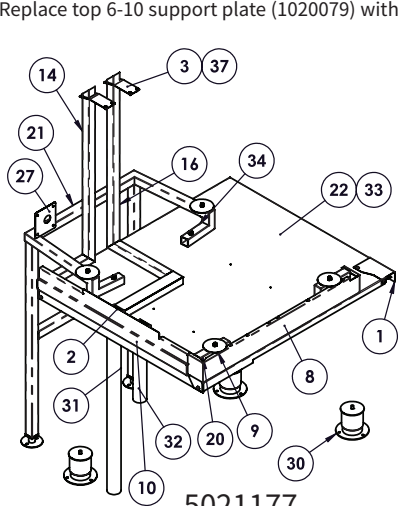
NOTE: Apply Loctite 274 and use a torque wrench to tighten all M10 screws (39) to 28.75 ft-lbs.

GAS STACKING COMPONENTS – RIGHT HAND DOOR, SEISMIC PARTS LIST

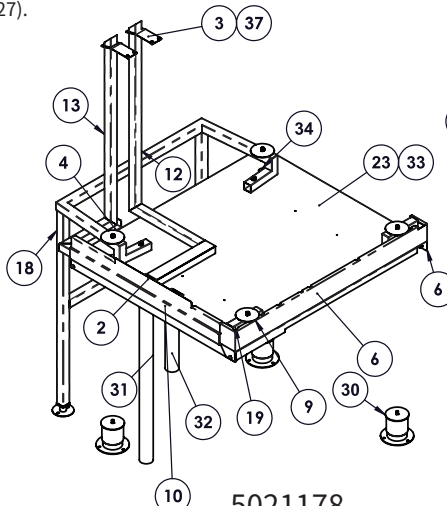
Item	Part	Description	5021147	5021175	5021176	5021958
			Qty.	Qty.	Qty.	Qty.
1	1014667	Cover, Hinge, Stacking	-	1	-	-
2	1016059	Bracket, Support Hold Down	1	1	-	-
3	1016060	Bracket, Support	2	2	2	2
4	1016064	Bracket, Inlet Flue	1	-	1	1
5	1016106	Bracket, Support, Holddown,	-	-	1	1
6	1019005	Skirt, Front, CTP-Stack	1	-	-	-
7	1019031	Skirt, Front, CTP-Stack	-	-	1	1
8	1019107	Skirt, Front, CTP-Stack	-	1	-	-
9	1019274	Plate, Support	4	4	4	4
10	1021409	Side Panel, Skirt, LH, Lrg Stack	1	1	-	-
11	1021445	Side Panel, Skirt, LH, Lrg Stack	-	-	1	1
12	5016605	Exhaust, Assembly, Gas Stacking	1	-	-	-
13	5016636	Exhaust, Assembly Gas Stacking	-	1	-	-
14	5016732	Exhaust, Assembly Stacking Gas	-	-	1	1
15	5017530	Flue, Weldment, Exhaust, 7-20	1	-	-	-
16	5017531	Flue, Weldment, Inlet, 7-20	1	-	-	-
17	5017532	Flue, Weldment, Inlet, 6-10	-	1	1	1
18	5017533	Flue, Weldment, Exhaust, 6-10	-	-	1	1
19	5017534	Flue, Weldment, Exhaust, 6-10	-	1	-	-
20	5021140	Panel, Stacking Cover, Seismic	1	-	-	-
21	5021143	Weldment, Tube Frame, Seismic	1	-	-	-
22	5021144	Weldment, Tube Frame	1	-	-	-
23	5021155	Weldment, Tube Frame, Seismic	-	1	1	1
24	5021157	Weldment, Tube Frame, Seismic	-	1	-	-
25	5021165	Panel, Stacking Cover, Seismic	-	1	-	-
26	5021166	Panel, Stacking Cover, Seismic	-	-	1	1
27	5021749	Weldment, Tube Frame, Seismic	-	-	1	-
28	5021957	Weldment, Tube Frame, Seismic	-	-	-	1
29	FE-2916	Foot, Insert, Adjustable, Flanged	2	2	2	2
30	FE-36872	Foot, Seismic, M10 Stud	4	4	4	4
31	HO-35321	Hose 2" OD x 33" Long	1	1	1	1
32	HO-37289	Hose 2" OD x 12" Long	1	1	1	1
33	NU-26866	Nut, Hex Insert M4	8	10	8	8
34	PG-24554	1" Hole Plug	4	4	4	4
35	SC-22273	Screw, M4 x 0.7 x 10mm Pan	8	7	8	8
36	SC-22779	Screw, M5 x 0.8 x 20mm Pan	4	4	4	4
37	SC-26520	Screw, #10 x 1/2" Hex FLG-SERR	6	6	6	6
38	SC-38240	Screw, M4 x 0.7 x 16mm Pan	-	2	-	-
39	SC-38270	Screw, M10 x 55mm	8	8	8	8
40	WS-22295	Washer, Flat M5 S/S	12	14	12	12
41	WS-22300	Washer, M4 Split Lock	8	7	8	8
42	WS-22301	Washer, M5 Split Lock	4	6	4	4
43	WS-22633	Washer, M10 Split Lock	8	8	8	8

ELECTRIC STACKING COMPONENTS – RIGHT HAND DOOR, SEISMIC

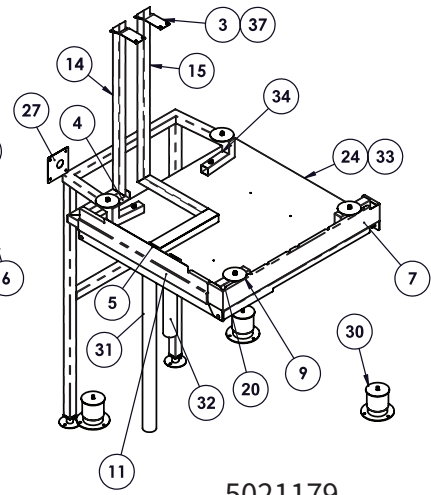
NOTE: Replace top 6-10 support plate (1020079) with (27).



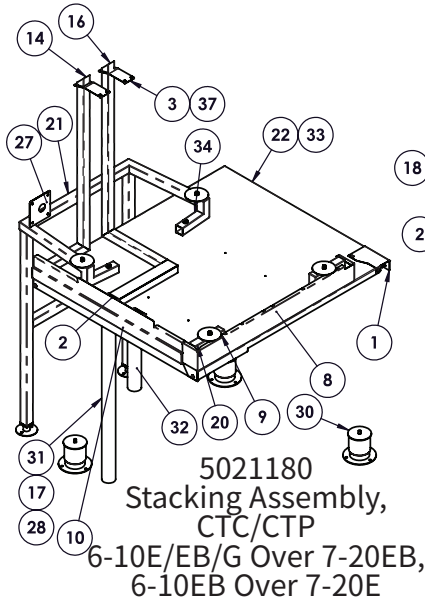
5021177
Stacking Assembly, CTC/CTP
6-10E/G Over 7-20E



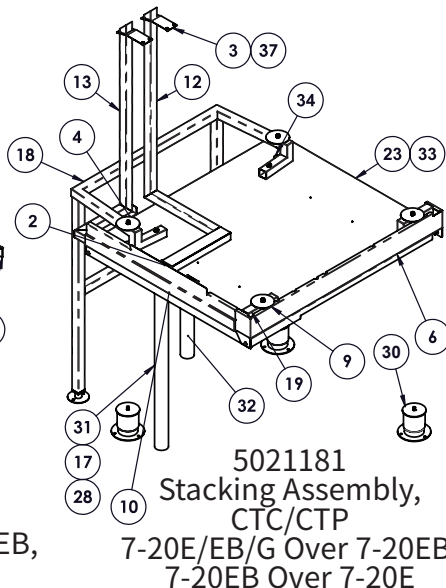
5021178
Stacking Assembly, CTC/CTP
7-20E/G Over 7-20E



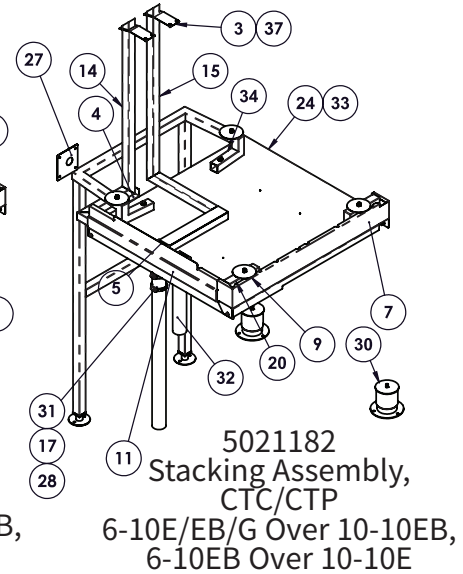
5021179
Stacking Assembly, CTC/CTP
6-10E/G Over 10-10E



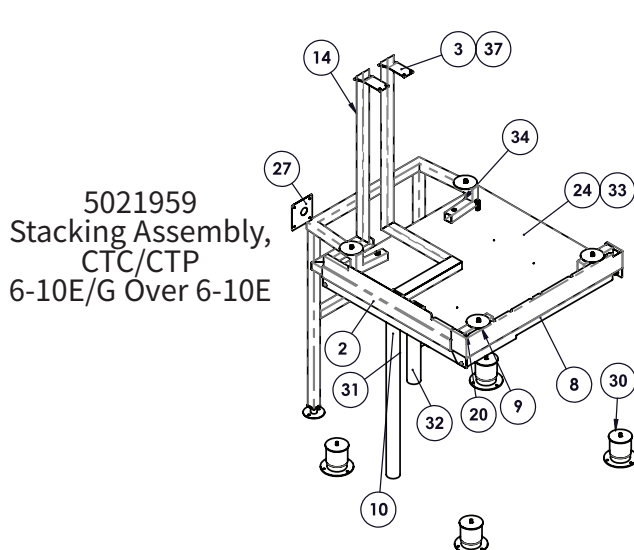
5021180
Stacking Assembly,
CTC/CTP
6-10E/EB/G Over 7-20EB,
6-10EB Over 7-20E



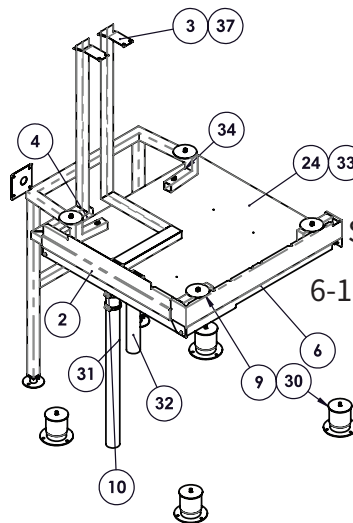
5021181
Stacking Assembly,
CTC/CTP
7-20E/EB/G Over 7-20EB,
7-20EB Over 7-20E



5021182
Stacking Assembly,
CTC/CTP
6-10E/EB/G Over 10-10EB,
6-10EB Over 10-10E



5021959
Stacking Assembly,
CTC/CTP
6-10E/G Over 6-10E

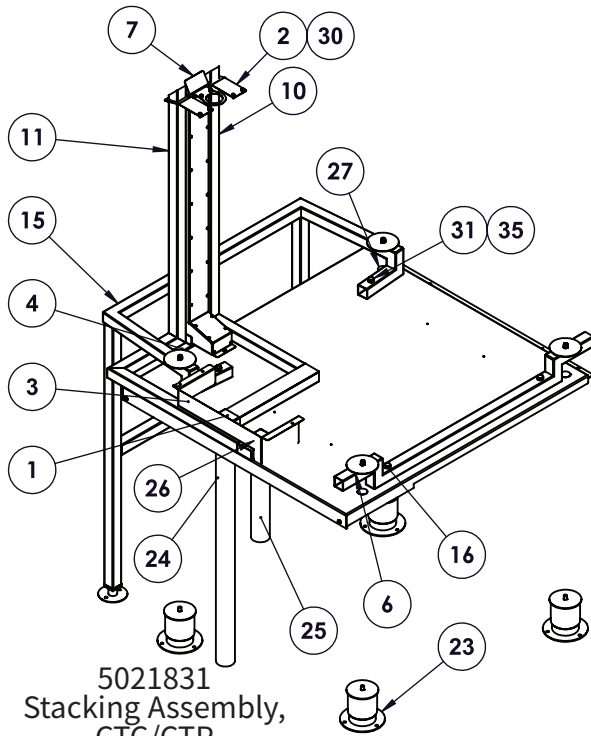


5021960
Stacking Assembly,
CTC/CTP
6-10E/EB/G Over 6-10EB,
6-10EB Over 6-10E

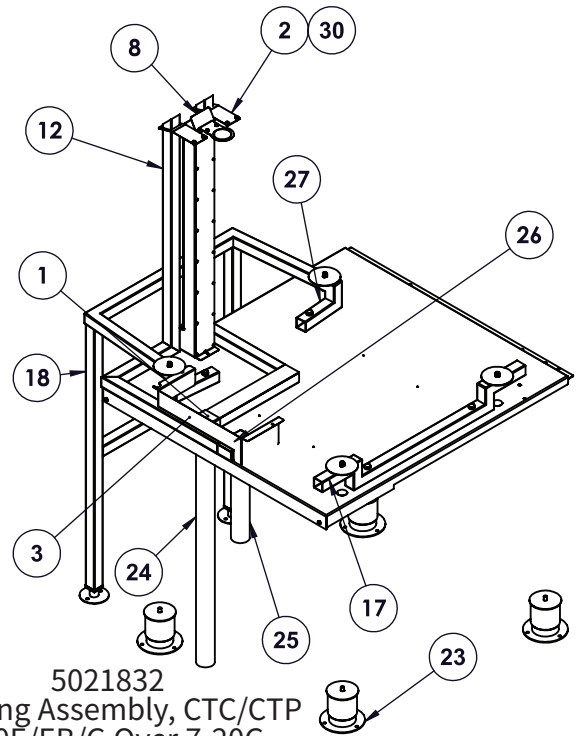
ELECTRIC STACKING COMPONENTS – RIGHT HAND DOOR, SEISMIC PARTS LIST

Item	Part	Description	5021177	5021178	5021179	5021180	5021181	5021182	5021959	5021960
			Qty.	Qty.	Qty.	Qty.	Qty.	Qty.	Qty.	Qty.
1	1014667	Cover, Hinge, Stacking	1	-	-	1	-	-	-	-
2	1016059	Bracket, Support Hold Down	1	1	-	1	1	-	-	-
3	1016060	Bracket, Support	2	2	2	2	2	2	2	2
4	1016064	Bracket, Inlet Flue	-	1	1	-	1	1	1	1
5	1016106	Bracket, Support, Holddown,	-	-	1	-	-	1	1	1
6	1019005	Skirt, Front, CTP-Stack	-	1	-	-	1	-	-	-
7	1019031	Skirt, Front, CTP-Stack	-	-	1	-	-	1	1	1
8	1019107	Skirt, Front, CTP-Stack	1	-	-	1	-	-	-	-
9	1019274	Plate, Support	4	4	4	4	4	4	4	4
10	1021409	Side Panel, Skirt, LH, Lrg Stack	1	1	-	1	1	-	-	-
11	1021445	Side Panel, Skirt, LH, Lrg Stack	-	-	1	-	-	1	1	1
12	5017530	Flue, Weldment, Exhaust, 7-20	-	1	-	-	1	-	-	-
13	5017531	Flue, Weldment, Inlet, 7-20	-	1	-	-	1	-	-	-
14	5017532	Flue, Weldment, Inlet, 6-10	1	-	1	1	-	1	1	1
15	5017533	Flue, Weldment, Exhaust, 6-10	-	-	1	-	-	1	1	1
16	5017534	Flue, Weldment, Exhaust, 6-10	1	-	-	1	-	-	-	-
17	5017535	Pipe Assembly, Exhaust/Drain	-	-	-	1	1	1	-	1
18	5021143	Weldment, Tube Frame, Seismic	-	1	-	-	1	-	-	-
19	5021144	Weldment, Tube Frame	-	1	-	-	1	-	-	-
20	5021155	Weldment, Tube Frame, Seismic	1	-	1	1	-	1	1	1
21	5021157	Weldment, Tube Frame, Seismic	1	-	-	1	-	-	-	-
22	5021167	Panel, Stacking Cover, Seismic	1	-	-	1	-	-	-	-
23	5021168	Panel, Stacking Cover, Seismic	-	1	-	-	1	-	-	-
24	5021169	Panel, Stacking Cover, Seismic	-	-	1	-	-	1	1	1
25	5021749	Weldment, Tube Frame, Seismic	-	-	1	-	-	1	-	-
26	5021957	Weldment, Tube Frame, Seismic	-	-	-	-	-	-	1	1
27	5021966	Assembly, Plate, Support	1	-	1	1	-	1	1	1
28	CL-22234	Clamp, Worm Gear, 40-60, Hose	-	-	-	2	2	2	-	2
29	FE-2916	Foot, Insert, Adjustable, Flanged	2	2	2	2	2	2	2	2
30	FE-36872	Foot, Seismic, M10 Stud	4	4	4	4	4	4	4	4
31	HO-35321	Hose 2" OD x 33" Long	1	1	1	1	1	1	1	1
32	HO-37289	Hose 2" OD x 12" Long	1	1	1	1	1	1	1	1
33	NU-26866	Nut, Hex Insert M4	7	5	5	7	5	5	5	5
34	PG-24554	1" Hole Plug	4	4	4	4	4	4	4	4
35	SC-22273	Screw, M4 x 0.7 x 10mm Pan	4	5	5	4	5	5	5	5
36	SC-22779	Screw, M5 x 0.8 x 20mm Pan	4	4	4	4	4	4	4	4
37	SC-26520	Screw, #10 x 1/2" Hex FLG-SERR	4	4	4	4	4	4	4	4
38	SC-38240	Screw, M4 x 0.7 x 16mm Pan	2	-	-	2	-	-	-	-
39	SC-38270	Screw, M10 x 55mm	8	8	8	8	8	8	8	8
40	WS-22295	Washer, Flat M5 S/S	10	9	9	10	9	9	9	9
41	WS-22300	Washer, M4 Split Lock	4	5	5	4	5	5	5	5
42	WS-22301	Washer, M5 Split Lock	6	4	4	6	4	4	4	4
43	WS-22633	Washer, M10 Split Lock	8	8	8	8	8	8	8	8

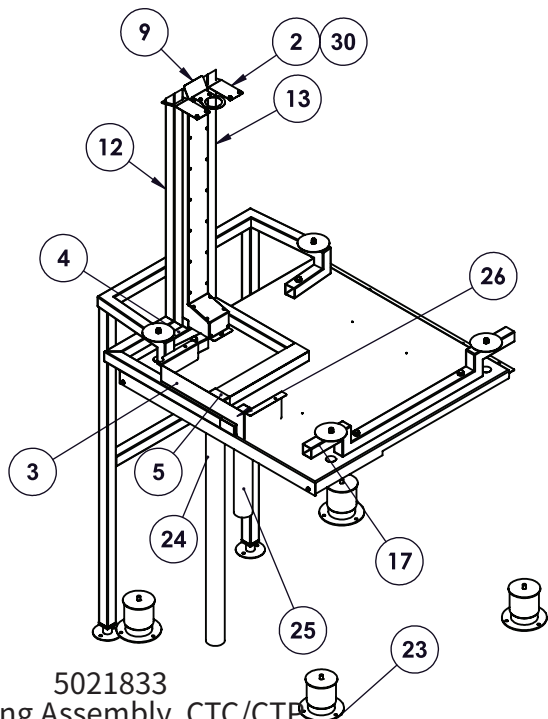
GAS STACKING COMPONENTS – RECESSED DOOR, SEISMIC



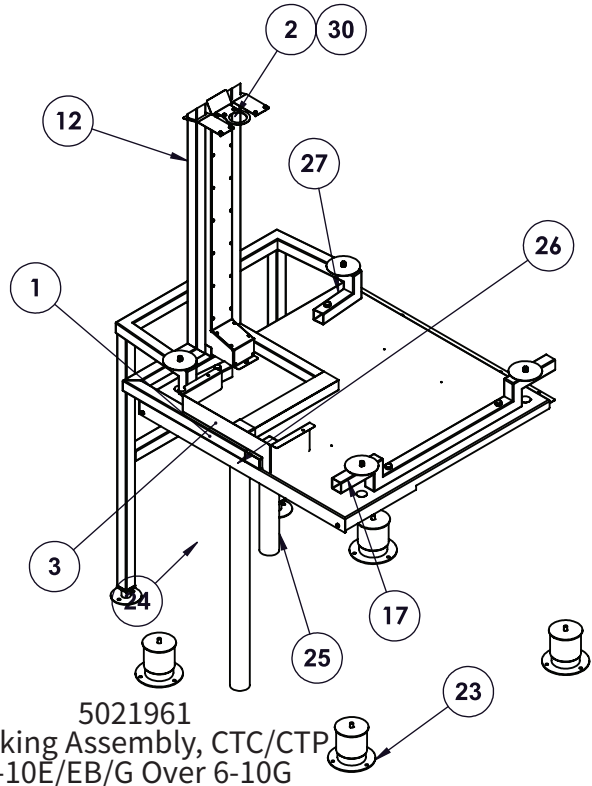
5021831
Stacking Assembly, CTC/CTP
7-20E/EB/G Over 7-20G



5021832
Stacking Assembly, CTC/CTP
6-10E/EB/G Over 7-20G



5021833
Stacking Assembly, CTC/CTP
6-10E/EB/G Over 10-10G



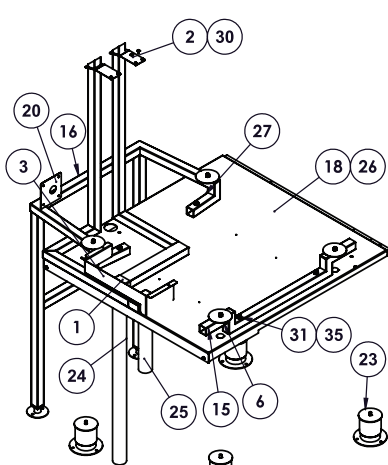
5021961
Stacking Assembly, CTC/CTP
6-10E/EB/G Over 6-10G

NOTE: (2x) attachment screws (30) are only necessary to secure Item #7 (5016605), Item #8 (5016636), or Item #9 (5016732) when stacking an electric unit above a gas unit.
NOTE: Use 316 stainless steel 1/4" (7mm) diameter concrete anchors with a minimum install depth of 1-14" (32mm) when installing feet to ground.
NOTE: Apply Loctite 274 and use a torque wrench to tighten all M10 screws (31) to 28.75 ft-lbs.

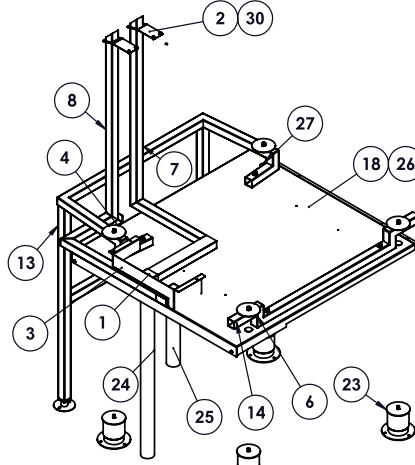
GAS STACKING COMPONENTS – RECESSED DOOR, SEISMIC PARTS LIST

Item	Part	Description	5021831	5021832	5021833	5021961
			Qty.	Qty.	Qty.	Qty.
1	1016059	Bracket, Support Hold Down	1	1	-	-
2	1016060	Bracket, Support	2	2	2	2
3	1016063	Cover, LH Stacking	1	1	1	1
4	1016064	Bracket, Inlet Flue	1	-	1	1
5	1016106	Bracket, Support, Holddown,	-	-	1	1
6	1019274	Plate, Support	4	4	4	4
7	5016605	Exhaust, Assembly, Gas Stacking	1	-	-	-
8	5016636	Exhaust, Assembly Gas Stacking	-	1	-	-
9	5016732	Exhaust, Assembly Stacking Gas	-	-	1	1
10	5017530	Flue, Weldment, Exhaust, 7-20	1	-	-	-
11	5017531	Flue, Weldment, Inlet, 7-20	1	-	-	-
12	5017532	Flue, Weldment, Inlet, 6-10	-	1	1	1
13	5017533	Flue, Weldment, Exhaust, 6-10	-	-	1	1
14	5017534	Flue, Weldment, Exhaust, 6-10	-	1	-	-
15	5021143	Weldment, Tube Frame, Seismic	1	-	-	-
16	5021144	Weldment, Tube Frame	1	-	-	-
17	5021155	Weldment, Tube Frame, Seismic	-	1	1	1
18	5021157	Weldment, Tube Frame, Seismic	-	1	-	-
19	5021749	Weldment, Tube Frame, Seismic	-	-	1	-
20	5021788	Panel, Stacking Cover, Seismic	1	-	-	-
20	5021789	Panel, Stacking Cover, Seismic	-	1	-	-
20	5021790	Panel, Stacking Cover, Seismic	-	-	1	1
21	5021957	Weldment, Tube Frame, Seismic	-	-	-	1
22	FE-2916	Foot, Insert, Adjustable, Flanged	2	2	2	2
23	FE-36872	Foot, Seismic, M10 Stud	4	4	4	4
24	HO-35321	Hose 2" OD x 33" Long	1	1	1	1
25	HO-37289	Hose 2" OD x 12" Long	1	1	1	1
26	NU-26866	Nut, Hex Insert M4	7	5	7	7
27	PG-24554	1" Hole Plug	4	4	4	4
28	SC-22273	Screw, M4 x 0.7 x 10mm Pan	7	5	7	7
29	SC-22779	Screw, M5 x 0.8 x 20mm Pan	2	2	2	2
30	SC-26520	Screw, #10 x 1/2" Hex FLG-SERR	6	6	6	6
31	SC-38270	Screw, M10 x 55mm	8	8	8	8
32	WS-22295	Washer, Flat M5 S/S	9	7	9	9
33	WS-22300	Washer, M4 Split Lock	7	5	7	7
34	WS-22301	Washer, M5 Split Lock	2	2	2	2
35	WS-22633	Washer, M10 Split Lock	8	8	8	8

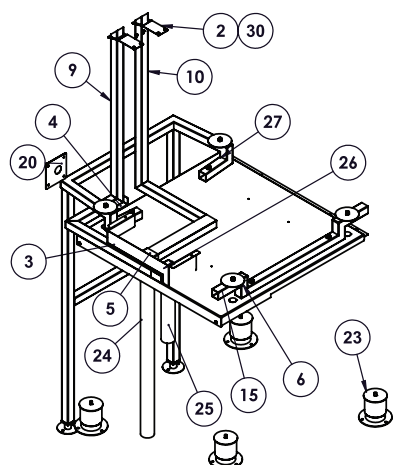
ELECTRIC STACKING – RECESSED DOOR, SEISMIC



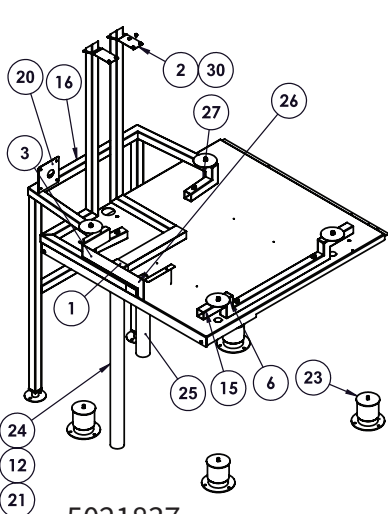
5021834
Stacking Assembly, CTC/CTP
6-10E/EB/G Over 7-20E



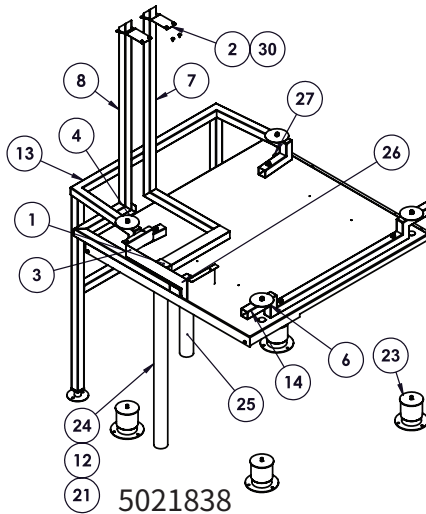
5021835
Stacking Assembly, CTC/CTP
7-20E/G Over 7-20E



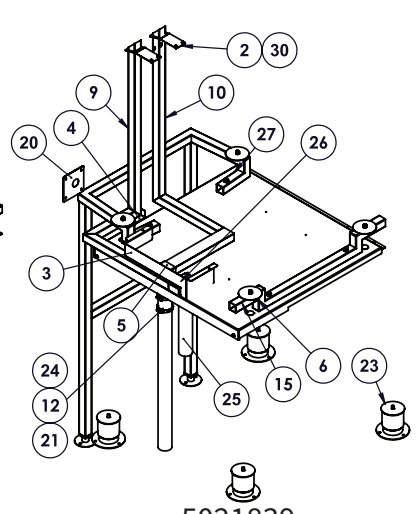
5021836
Stacking Assembly, CTC/CTP
6-10E/G Over 10-10E



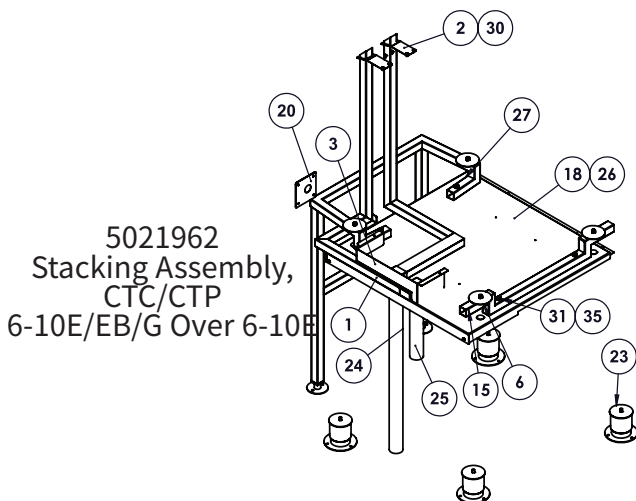
5021837
Stacking Assembly, CTC/CTP
6-10E/EB/G Over 7-20EB



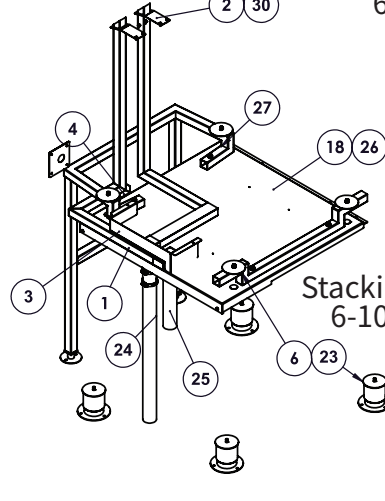
5021838
Stacking Assembly, CTC/CTP
7-20E/EB/G Over 7-20EB
7-20EB Over 7-20E



5021839
Stacking Assembly, CTC/CTP
6-10E/EB/G Over 10-10EB
6-10EB Over 10-10E



5021962
Stacking Assembly,
CTC/CTP
6-10E/EB/G Over 6-10E



5021963
Stacking Assembly, CTC/CTP
6-10E/EB/G Over 6-10EB

NOTE: Replace top 6-10 support plate (1020079) with (20).

NOTE: Use 316 stainless steel 1/4" (7mm) diameter concrete anchors with a minimum install depth of 1-14" (32mm) when installing feet to ground.

NOTE: Apply Loctite 274 and use a torque wrench to tighten all M10 screws (31) to 28.75 ft-lbs.

ELECTRIC STACKING – RECESSED DOOR, SEISMIC PARTS LIST

Item	Part	Description	5021834	5021835	5021836	5021838	5021837	5021839	5021962	5021963
			Qty.	Qty.	Qty.	Qty.	Qty.	Qty.	Qty.	Qty.
1	1016059	Bracket, Support Hold Down	1	1	-	1	1	-	-	-
2	1016060	Bracket, Support	2	2	2	2	2	2	2	2
3	1016063	Cover, Stacking	1	1	1	1	1	1	1	1
4	1016064	Bracket, Inlet Flue	-	1	1	1	-	1	1	1
5	1016106	Bracket, Support, Holddown,	-	-	1	-	-	1	1	1
6	1019274	Plate, Support	4	4	4	4	4	4	4	4
7	5017530	Flue, Weldment, Exhaust, 7-20	-	1	-	1	-	-	-	-
8	5017531	Flue, Weldment, Inlet, 7-20	-	1	-	1	-	-	-	-
9	5017532	Flue, Weldment, Inlet, 6-10	1	-	1	-	1	1	1	1
10	5017533	Flue, Weldment, Exhaust, 6-10	-	-	1	-	-	1	1	1
11	5017534	Flue, Weldment, Exhaust, 6-10	1	-	-	-	1	-	-	-
12	5017535	Pipe Assembly, Exhaust/Drain	-	-	-	1	1	1	-	1
13	5021143	Weldment, Tube Frame, Seismic	-	1	-	1	-	-	-	-
14	5021144	Weldment, Tube Frame	-	1	-	1	-	-	-	-
15	5021155	Weldment, Tube Frame, Seismic	1	-	1	-	1	1	1	1
16	5021157	Weldment, Tube Frame, Seismic	1	-	-	-	1	-	-	-
17	5021749	Weldment, Tube Frame, Seismic	-	-	1	-	-	1	-	-
18	5021789	Panel, Stacking Cover, Seismic	1	-	-	-	1	-	-	-
18	5021792	Panel, Stacking Cover, Seismic	-	1	-	1	-	-	-	-
18	5021793	Panel, Stacking Cover, Seismic	-	-	1	-	-	1	1	1
19	5021957	Weldment, Tube Frame, Seismic	-	-	-	-	-	-	1	1
20	5021966	Assembly, Plate, Support	1	-	1	-	1	1	1	1
21	CL-22234	Clamp, Worm Gear, 40-60, Hose	-	-	-	2	2	2	-	2
22	FE-2916	Foot, Insert, Adjustable, Flanged	2	2	2	2	2	2	2	2
23	FE-36872	Foot, Seismic, M10 Stud	4	4	4	4	4	4	4	4
24	HO-35321	Hose 2" OD x 33" Long	1	1	1	1	1	1	1	1
25	HO-37289	Hose 2" OD x 12" Long	1	1	1	1	1	1	1	1
26	NU-26866	Nut, Hex Insert M4	2	4	4	4	2	4	4	4
27	PG-24554	1" Hole Plug	4	4	4	4	4	4	4	4
28	SC-22273	Screw, M4 x 0.7 x 10mm Pan	2	4	4	4	2	4	4	4
29	SC-22779	Screw, M5 x 0.8 x 20mm Pan	2	2	2	2	2	2	2	2
30	SC-26520	Screw, #10 x 1/2" Hex FLG-SERR	6	6	6	6	6	6	6	6
31	SC-38270	Screw, M10 x 55mm	8	8	8	8	8	8	8	8
32	WS-22295	Washer, Flat M5 S/S	4	6	6	6	4	6	6	6
33	WS-22300	Washer, M4 Split Lock	2	4	4	4	2	4	4	4
34	WS-22301	Washer, M5 Split Lock	2	2	2	2	2	2	2	2
35	WS-22633	Washer, M10 Split Lock	8	8	8	8	8	8	8	8



ALTO-SHAAM USA
Menomonee Falls, Wisconsin, USA

ALTO-SHAAM CANADA
Concord, Ontario, Canada

ALTO-SHAAM MEXICO

ALTO-SHAAM CENTRAL & SOUTH AMERICA
Miami, Florida, USA

ALTO-SHAAM GMBH
Bochum, Germany

ALTO-SHAAM FRANCE
Aix en Provence France

ALTO-SHAAM RUSSIA
Moscow, Russia

ALTO-SHAAM MIDDLE EAST & AFRICA
Dubai, UAE

ALTO-SHAAM ASIA
Shanghai, China

ALTO-SHAAM ASIA
Shanghai, China
Phone +86-21-6173 0336

ALTO-SHAAM CANADA
Concord, Ontario Canada
Toll Free Phone 866-577-4484
Phone +1-905-660-6781

ALTO-SHAAM CENTRAL & SOUTH AMERICA
Miami, FL USA
Phone +1-954-655-5727

ALTO-SHAAM MIDDLE EAST & AFRICA
Dubai, UAE
Phone +971 4 321 9712

ALTO-SHAAM MEXICO
Phone +52 1 477-717-3108

ALTO-SHAAM FRANCE, L.L.C.
Aix en Provence, France
Phone +33(0)4-88-78-21-73

ALTO-SHAAM GMBH
Bochum, Germany
Phone +49(0)234-298798-0

ALTO-SHAAM RUSSIA
Moscow, Russia
Phone +7-903-793-2331



Menomonee Falls, WI 53052-0450, U.S.A.
Telephone 800-558-8744 | +1-262-251-3800 | alto-shaam.com