

Enclosed Tray Trucks

Elite Series™ High Capacity - Stainless Steel



Model 5628



Models 5618, 5620, 5624
5628, 5632

Designed For Delivery Of Insulated Meal Trays.

- Accommodates 14" x 18" or 15" x 20" size trays, two per ledge.
- Doors open 270° for unobstructed access.
- Paddle latch door catch assures positive door closure and convenient one-hand opening.
- Sturdy welded tubular push handle for increased maneuverability.
- Cart body and removable stainless steel ledge panels are easily cleaned and sanitized.
- Base corner bumpers protect walls, furnishings and doors.
- Compartment floor drains facilitate interior cleaning.
- Increased capacity and visibility during transport.

Spec. # _____

AIA # _____



Removable Ledge Panels



Compartment Floor Drain



Two Trays Per Ledge

Specifications

Unit is of stainless steel welded and riveted construction to accommodate 14" x 18" (356 x 457 mm) or 15" x 20" (381 x 508 mm) trays. Material thickness is 16-gauge for top and floor/base, 20-gauge for sides and back. Doors are of 20-gauge insulated double-pan design, and are mounted to unit frame with two each 3" (76 mm) heavy-duty stainless steel hinges. Hinges are welded to door and unit frame. Doors swing 270° to provide full access to tray compartments, and are easily removable by lifting off of hinges. Door latches are recessed paddle design. Tray ledges are 18 gauge stainless steel angle, welded to an 18 gauge stainless steel frame panel at 5¼" (133 mm) spacing. Ledge panels accommodate both 14" x 18" or 15" x 20" trays (two trays per ledge), and are removable for easy cleaning. Tray compartments have vents on end panels and perforated center floor drains. Unit base has 1¼" (32 mm) thick extruded PVC rounded bumpers mounted to corners. A 1" tubular push handle is welded to one end of the unit. Unit has four each extra-load plate type casters, two fixed and two swivel, mounted to a 14 gauge stainless steel dolly on unit base. Swivel casters have shielded ball bearing races and zerck fittings for lubrication of bearings. Caster wheels are 6" (152 mm) diameter with 2" wide, non-marking, rounded cushion tread. Unit is NSF listed.

Lakeside Manufacturing, Inc.

4900 West Electric Avenue • West Milwaukee, WI 53219 U.S.A.

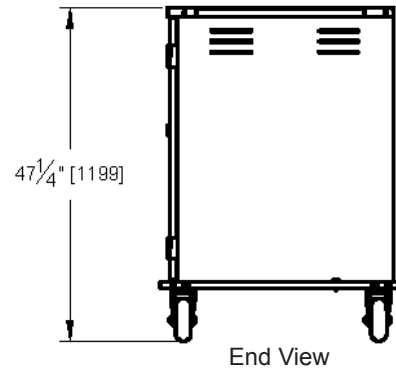
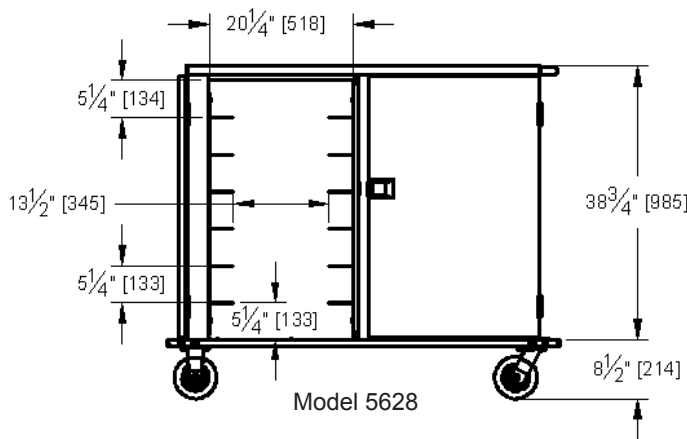
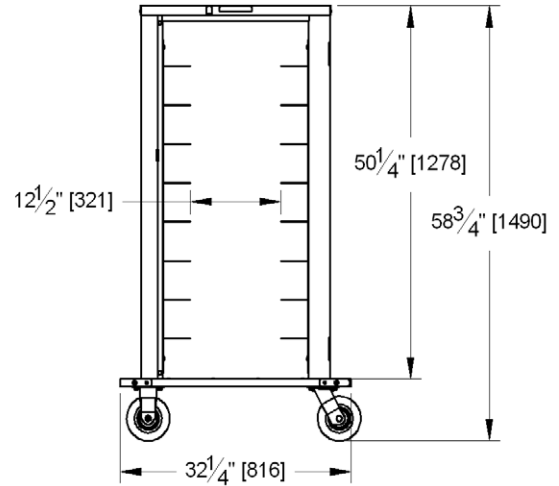
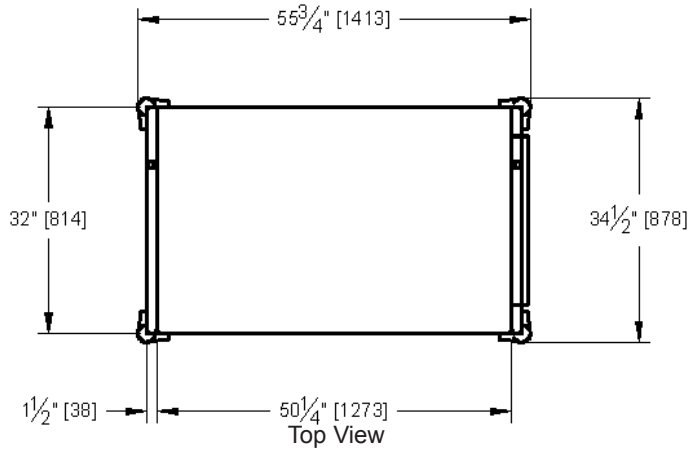
800-558-8565 • 414-902-6400 • Fax 414-902-6446 • info@eLakeside.com • www.eLakesideFoodservice.com

Models

5618, 5620
5624, 5628
5632

Enclosed Tray Trucks

Elite Series™ High Capacity - Stainless Steel



Model Information:

Model	Tray Capacity	Ledge Spacing	Compartments/Trays Per Ledge	Overall Size			Casters		Ship Wt. Lbs. (Kg)
				W	D	H	Type	Dia.	
5618	18	5/4 (133)	1 / 2	33" (838)	36 3/4" (933)	58 3/4" (1492)	2 Fixed 2 Swivel	6" (152)	198 (90)
5620	20	5/4 (133)	1 / 2	33" (838)	36 3/4" (933)	64" (1626)	2 Fixed 2 Swivel	6" (152)	218 (99)
5624	24	5/4 (133)	2 / 2	55 3/4" (1416)	34 3/4" (876)	42" (1194)	2 Fixed 2 Swivel	6" (152)	305 (139)
5628	28	5/4 (133)	2 / 2	55 3/4" (1416)	34 3/4" (876)	47 3/4" (1213)	2 Fixed 2 Swivel	6" (152)	335 (152)
5632	32	5/4 (133)	2 / 2	55 3/4" (1416)	34 3/4" (876)	52 1/2" (1334)	2 Fixed 2 Swivel	6" (152)	365 (166)

Dimensions in () denote metric millimeters, unless otherwise noted.

Optional Accessories

- Custom ledge spacing
- Transport door latch
- Full perimeter bumper
- 8" casters
- 2" top rail (3 sides)
- 6 each 6" casters (4 swivel, 2 fixed)
- Creased compartment floor (for drain)
- Menu card holder
- Towing hitch



Lakeside Manufacturing, Inc.
4900 West Electric Avenue • West Milwaukee, WI 53219 U.S.A.
800-558-8565 • 414-902-6400 • Fax 414-902-6446
info@eLakeside.com • www.eLakesideFoodservice.com