



# BEVERAGE-AIR®

## INSTALLATION AND OPERATING INSTRUCTIONS for all DP and DPD Models



809-140A Rev. E. 04/15/2026

3779 CHAMPION BLVD, WINSTON-SALEM, NC 27105

Phone: (888) 845-9800 | Fax: (800) 253-5168 | Web: [beverage-air.com](http://beverage-air.com)

**SEE BACK COVER FOR  
WARRANTY REGISTRATION**



**WELCOME**

Thank you for purchasing a Beverage-Air cabinet. This series has passed our strict quality control inspection and meets the high standards set by Beverage-Air Refrigeration! You have made a quality investment that with proper maintenance will give you many years of reliable service!

Please read the following installation and maintenance instructions before installing or using your unit.

**Important Information**

- PLEASE READ THESE INSTRUCTIONS CAREFULLY BEFORE INSTALLING OR USING, IF RECOMMENDED PROCEDURES ARE NOT FOLLOWED, WARRANTY CLAIMS MAY BE DENIED.
- Your warranty registration information is located with this manual. Please complete the card and submit it to Beverage-Air within TEN days of installation. Failure

to properly register equipment may limit or void the warranty.

- Beverage-Air reserves the right to change specifications and product design without notice. Such revisions do not entitle the buyer to corresponding changes, improvements, additions, or replacements for previously purchased equipment.

Contents

Welcome ..... 2

Safety ..... 3

Important Information ..... 4

Product Information ..... 5

Clearance and Placement ..... 6

Unpacking and Set Up .....7

Shelf Installation..... 8

Drawer Maintenance ..... 9

Electrical .....10

Using The Unit - Danfoss Controller ..... 11

    Sequence of Operations Refrigerator.....12

Using The Unit - Eliwell Controller .....16

    Sequence of Operations Refrigerator.....17

Cleaning and Maintenance .....20

Condenser Cleaning.....21

Methods For Cleaning Stainless Steel.....22

Help .....23

For The Service Tech .....24

For The Service Tech - Wiring Diagrams .....25

Limited Warranty .....27

Limited Warranty (continued) .....28

## SAFETY

This appliance has been designed with your safety in mind. It has many features to keep you from being harmed. However, safe operation and maintenance are your responsibilities.



### Use: When using this unit, please:

- **Move it carefully.** If on casters be sure the casters do NOT run over the power cord.
- **Lock** the casters when in use.
- **Seek help.** This machine is heavy! Be sure to move with enough help to avoid tipping or dropping the cabinet.
- **Prevent children from playing in or on the cabinet.** Persons unable to use this product must be prevented access.
- **Follow all instructions.** There are many safety labels and directions on the unit. Heed them.
- **Watch your fingers.** There may be pinch points near the door hinges.



### Maintenance

#### Do NOT:

- Clean a frozen evaporator with a sharp object
- Clean a dirty condenser with a sharp object.
- Store gasoline, kerosene or any other flammable material near the cabinet.

#### Do ALWAYS

- Use a Beverage-Air recommended technician certified to repair R290 equipment.
- Use ONLY Beverage-Air factory service parts. Use of non OEM parts can be dangerous because of the design changes needed to safely use R290.

### Important Information to Add

Record the model number, serial number and the date of installation here for future reference. The model and serial numbers are on the unit's serial number dataplate, which is located on the left inside wall.

|                             |  |
|-----------------------------|--|
| <b>Model Number</b>         |  |
| <b>Serial Number</b>        |  |
| <b>Date of Installation</b> |  |
| <b>Purchased From</b>       |  |



Observe the **Caution** and **Warning** notices. They are indicators of important safety information. Keep this manual for future reference.

**IMPORTANT INFORMATION**

This unit is intended to be used in a commercial application. That includes bars and restaurants.

If installed in a residence some commercial service companies may not be able to service it on site.

The manufacturer has designed and produced this machine with the finest in materials. The manufacturer assumes no liability for units that have been altered in any way. Alterations or part substitutions will void the warranty.

**Limitations**

The machine is designed for use indoors in a controlled environment. It must be kept dry, not overheated or subjected to excessive cold. May only be connected to a dedicated electrical circuit. Extension cords are not permitted.

|               | Minimum | Maximum |
|---------------|---------|---------|
| Voltage       | 103.5   | 126.5   |
| Room Air Temp | 50° F   | 100° F  |

**Air Flow, All Models**



**Agency Approvals**

These marks appear on the dataplate or serial tag, located in the inside of the left wall. The dataplate also contains the model and serial numbers as well as electrical requirements.



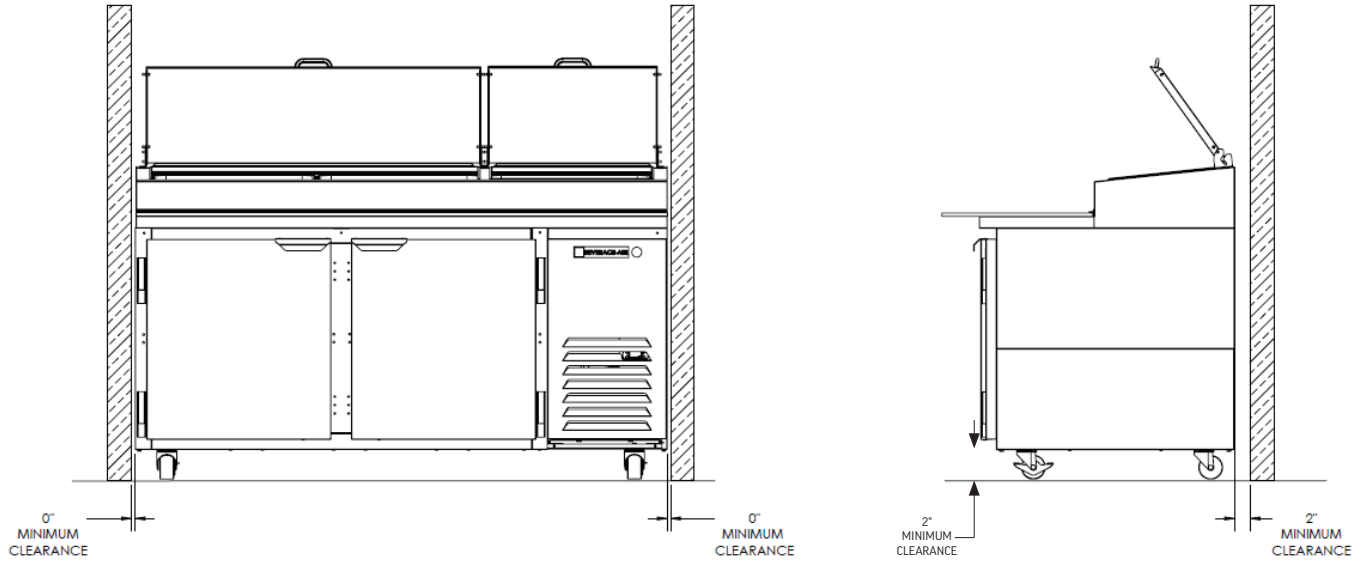
**PRODUCT INFORMATION**

| Model      | Cabinet Dimensions<br>w x d x h (Inches) | Door<br>Count | Drawers | Full Load<br>Amps | Compressor<br>HP | Refrigerant Charge Type /<br>Charge (g) / Charge (oz.) |     |                   |
|------------|--|---------------|---------|-------------------|------------------|--|-----|-------------------|
| DP46HC     | 46 x 38 1/8 x 54 3/8                     | 1             | -       | 4.5               | 1/2              | R-290 / 105 / 3.7                                      |     |                   |
| DP60HC     | 60 x 38 1/8 x 54 3/8                     | 2             | -       |                   |                  |  |     |                   |
| DP67HC     | 67 x 38 1/8 x 54 3/8                     | 2             | -       |                   |                  |  |     |                   |
| DP72HC     | 72 x 38 1/8 x 54 3/8                     | 2             | -       |                   |                  |  |     |                   |
| DP93HC     | 93 x 38 1/8 x 54 3/8                     | 3             | -       | 7.8               |                  | R-290 / 120 / 4.2                                      |     |                   |
| DP119HC    | 119 x 38 1/8 x 54 3/8                    | 4             | -       |                   |                  |  |     |                   |
| DPD46HC-2  | 46 x 38 1/8 x 54 3/8                     | -             | 2       | 4.5               | 1/3              | R-290 / 105 / 3.7                                      |     |                   |
| DPD46HC-3  | 46 x 38 1/8 x 54 3/8                     | -             | 3       |                   | 1/2              |  |     |                   |
| DPD60HC-2  | 60 x 38 1/8 x 54 3/8                     | -             | 2       |                   | 1/3              |  |     |                   |
| DPD60HC-3  | 60 x 38 1/8 x 54 3/8                     | -             | 3       |                   |                  |  |     |                   |
| DPD67HC-2  | 67 x 38 1/8 x 54 3/8                     | 1             | 2       |                   | 1/2              |  |     |                   |
| DPD67HC-3  | 67 x 38 1/8 x 54 3/8                     | 1             | 3       |                   |                  |  |     |                   |
| DPD67HC-4  | 67 x 38 1/8 x 54 3/8                     | -             | 4       |                   |                  |  |     |                   |
| DPD67HC-6  | 67 x 38 1/8 x 54 3/8                     | -             | 6       |                   |                  |  |     |                   |
| DPD72HC-2  | 72 x 38 1/8 x 54 3/8                     | 1             | 2       |                   |                  |  |     |                   |
| DPD72HC-3  | 72 x 38 1/8 x 54 3/8                     | 1             | 3       |                   |                  |  |     |                   |
| DPD72HC-4  | 72 x 38 1/8 x 54 3/8                     | -             | 4       |                   |                  |  |     |                   |
| DPD72HC-6  | 72 x 38 1/8 x 54 3/8                     | -             | 6       |                   |                  |  |     |                   |
| DPD93HC-2  | 93 x 38 1/8 x 54 3/8                     | 2             | 2       |                   | 7.8              |  | 1/2 | R-290 / 120 / 4.2 |
| DPD93HC-3  | 93 x 38 1/8 x 54 3/8                     | 2             | 3       |                   |                  |  |     |                   |
| DPD93HC-4  | 93 x 38 1/8 x 54 3/8                     | 1             | 4       |                   |                  |  |     |                   |
| DPD93HC-6  | 93 x 38 1/8 x 54 3/8                     | -             | 6       |                   |                  |  |     |                   |
| DPD93HC-9  | 93 X 38 1/8 X 54 3/8                     | -             | 9       |                   |                  |  |     |                   |
| DPD119C-2  | 119 x 38 1/8 x 54 3/8                    | 3             | 2       |                   |                  |  |     |                   |
| DPD119C-3  | 119 x 38 1/8 x 54 3/8                    | 3             | 3       |                   |                  |  |     |                   |
| DPD119C-4  | 119 x 38 1/8 x 54 3/8                    | 2             | 4       |                   |                  |  |     |                   |
| DPD119C-6  | 119 x 38 1/8 x 54 3/8                    | 1             | 6       |                   |                  |  |     |                   |
| DPD119C-6T | 119 x 38 1/8 x 54 3/8                    | 2             | 6       |                   |                  |  |     |                   |
| DPD119C-8  | 119 x 38 1/8 x 54 3/8                    | -             | 8       |                   |                  |  |     |                   |
| DPD119C-9  | 119 x 38 1/8 x 54 3/8                    | 1             | 9       |                   |                  |  |     |                   |

- All models will maintain product temperature between 36° F and 38°F.
- Right side condensing unit placement is standard, Left side optional.
- All models are 115 volts, 60 Hz AC.
- ALWAYS REFERENCE YOUR EQUIPMENT DATA PLATE AMPS, REFRIGERANT AND REFRIGERANT CHARGE FOR THE MOST UP TO DATE AND ACCURATE VALUES.
- All models have a 8 foot power cord with 5-15P NEMA plug.
- There are no access valves on the refrigeration system.

*Height includes casters.*

**CLEARANCE AND PLACEMENT**



**Placement**

Consider the following when selecting a location for your cooler:

- **Clearance:** 2 inches at back, 2 inches at bottom. None at sides.
- **Floor Load:** the floor on which the cooler is located must be even and level, free from vibrations, and strong enough to support the combined weights of the unit and maximum product load.
- **Ventilation:** Grille area at front must be free and clear of any object or wall.
- **Power Outlet:** Dedicated power outlet is located within 8 feet of length of cord.

## UNPACKING AND SET UP

Carefully inspect the shipping carton for damage. This is the only time that shipping damage may be claimed. If damage is suspected, open the carton immediately and, if there is damage, retain the carton and contact the shipper to make a claim. Do NOT contact the manufacturer.

### Uncrating

Tools Needed:  $\frac{3}{4}$ " box wrench, adjustable wrench, level, flat head screw driver, and box cutter.

1. Remove the cardboard top capping, all clear tape, and all staples including those at the bottom of the cardboard carton and skid.
2. Start from the top of the carton. Using the box cutter, carefully make one continuous cut to the bottom of the skid. Remove cardboard carton and discard.

*Note: additional clear plastic protective wrap is applied directly to any product with a glass door.*

3. Move unit as close to final position as possible before removing the skid.

*Note: The skid must be removed before the casters or legs can be attached.*

**Do NOT tip unit on its front or sides. If tipped onto the back, unit must not be started for 3 hours.**

### Skid Removal and Caster Attachment

Tip the unit forward and remove the skid.



1. Remove the shipping bolts using the  $\frac{3}{4}$ " box wrench while cabinet is held in one direction. Repeat the process while the cabinet is held in the opposite direction.
2. None of the threads on the leg or caster stem should be visible once screwed in.
3. Tilt the cabinet in one direction approximately 8" and block it securely with pieces of 2x4 lumber or other suitable material.

4. Thread the stem casters or legs into the  $\frac{1}{2}$ "-13 holes in the bottom of the cabinet. Tighten by hand as much as possible. Some models may already have levelers installed. If so, then the levelers will need to first be removed and discarded.
5. Once the caster or leg cannot be turned any further, use a  $\frac{3}{4}$  inch wrench to tighten the nut in between the mounting plate and the wheel of the caster until snug.
6. Repeat this procedure with unit secured in the opposite direction so as to access the remaining legs/casters/levelers.
7. If plate casters or legs are installed instead of stem casters or legs, then repeat step 3 above and secure the plate with either #14 AB screws, or  $\frac{1}{4}$ -20 screws, depending upon which are required.
8. If levelers are employed, then repeat step 3 above and thread the leveler in place. Then repeat step 6.

### Leveling:

Cabinets must be leveled when installed. Level should be measured on the headrail.

Failure to level your cabinet may result in door not sealing, closing correctly, or condensed water draining not draining properly.

For cabinets with legs, rotate the foot of the leg with an adjustable wrench to achieve desired height for leveling.

For cabinets with casters, leveling can be achieved by

placing large washers in between the  $\frac{1}{2}$ " stud and the holes located on the bottom of the case.



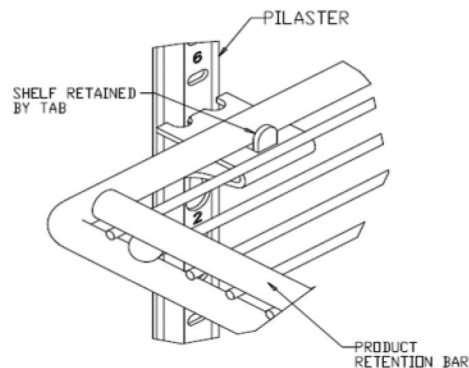
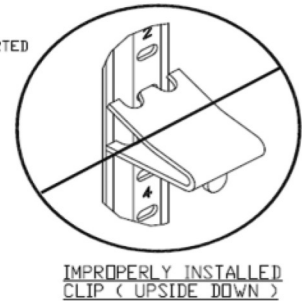
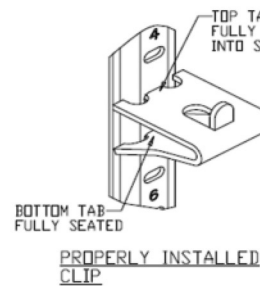
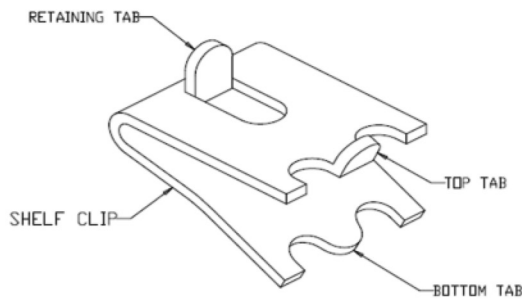
**Do NOT loosen casters to level the cabinet.** Casters MUST be tightly secured to cabinet for full strength.

Install or attach any accessories that will be used

Remove any plastic covering the stainless steel.

## SHELF INSTALLATION

1. Determine the proper location for the shelf clips. The reference numbers on the pilaster can serve as a guide to ensure all clips are properly located.
2. Insert the top tab of the shelf clip into the desired hole of the pilaster. The retaining tab **MUST** be facing up as shown.
3. Rotate the clip downwards and insert the bottom tab into the matching hole in the pilaster. The clip may need to be squeezed slightly during installation.
4. Install all remaining clips.
5. Install shelves onto clips with the product retention bar facing up. Be careful not to dislodge clips during installation.
6. Place shelves so that the retaining tab on the clip captures the shelf as shown.
7. Confirm that the shelf is resting on **ALL 4** clips and that the clips are securely attached to the pilasters.
8. Improper shelf clip installation could cause the shelf and / or the product on it to fall, resulting in damage to the unit and possible bodily injury.
9. Do **NOT** overload the shelves. The unit is designed to use all shelves that are supplied in an equally spaced manner. Contact Beverage-Air customer service if fewer shelves or a different configuration to ensure shelf overloading will not occur.



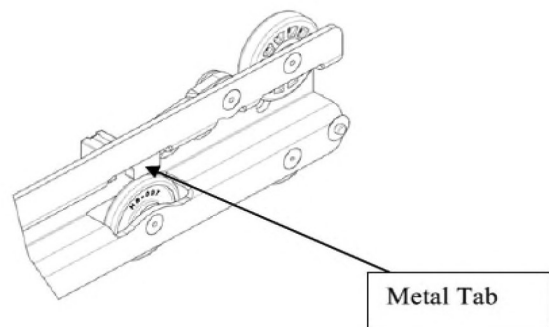
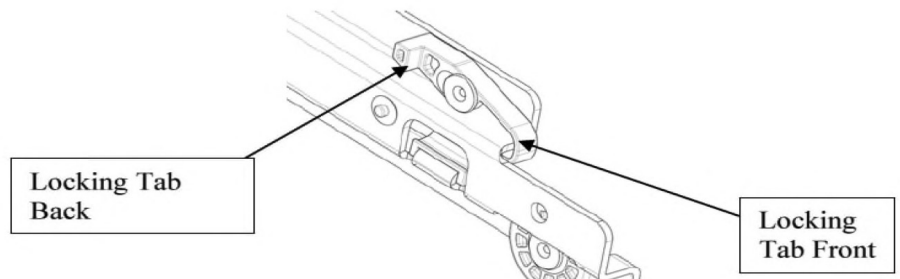
## DRAWER MAINTENANCE

Drawer models are shipped with the drawers already installed in the cabinets. Drawers are designed with slides which have locking mechanisms to prevent drawers from coming off cabinets during normal opening and closing operations.

### See Illustration:

Drawers and slides can be removed from a cabinet for cleaning purposes. To remove a drawer from a cabinet follow these instructions:

1. Open the drawer to full extension
2. Push the white locking tabs forward on both sides of the drawer
3. Press down the back of the tabs
4. Slide the drawer out of the cabinet
5. To remove the sliding member (Middle slide), press the metal tab up and slide it
6. To reinstall the sliding member, press the metal tab up and slide it in
7. To reinstall drawer, push the locking tab forward and press the back of the tab down
8. Align the drawer slide members and moving slide members
9. Slide the drawer in and lock the slide by pushing the front of the locking tab down and in



## **ELECTRICAL**

This is a cord-connected unit, and must be connected to its own **dedicated** power supply. Check the dataplate on the machine to confirm the voltage and per the dataplate use the correct fuses or HACR circuit breakers.

---

*Note: Do not connect to GFI / GFCI outlets. Connection to that type of outlet can result in product loss due to unsafe cabinet temperature when GFI device trips from moisture.*

---

### **Power Cord**

This 115 volt model is equipped with a cord and 5-15P plug.

If the power cord becomes damaged, it must be replaced with the identical cord.

### **Follow All National and Local Codes**

This Unit Must Be Grounded. Do not use extension cords and do not disable or by-pass ground prong on electrical plug.

### **Initial Start Up**

Plug the power cord into the proper power supply.

The cabinet will soon begin to blow warm air out of the front grill area, and cool air will flow from the inside blower.

The cabinet temperature has been set at the factory and should not need adjustment, however if it was changed, the standard setting is 38° F.

### **Cautions**

Care must be taken whenever moving or servicing the unit. The refrigerant is contained in a sealed system, but if released it is flammable.

### **Door Reversal Instructions**

1. Remove hinge cover
2. Remove door from the unit to include the hinge mounting brackets
3. Remove white hole covers from the side of the door opening you would like the hinges to be located (do not throw away)
4. On the bottom of the door the same hole plugs are present and need to be removed
5. Take the hole plugs and insert them into the screw holes where the hinges were originally located on the unit
6. Install the hinge bracket upright on the unit. The thick portion of the hinge bracket should be on the bottom as you mount them
7. The door portion of the hinges need to be removed and rotated 180 degree and remounted
8. Install the hole plugs that were removed from the bottom of the door into the holes where the handle was first mounted
9. Install the handle on what is now the top of the door
10. Slide door back into position and gently lower into the white pivot cam
11. Replace hinge cover

### USING THE UNIT - DANFOSS CONTROLLER

Operation is simple, just keep it connected to the correct power supply and the refrigerator will maintain the internal temperature it has been set to. Keep the doors and / or drawers closed as much as possible to avoid unnecessary run time.

The controller displays the current internal temperature.

Adjusting the set temperature lower will NOT cause the system to lower the temperature faster. When on, the refrigeration system is always operating at maximum.

The temperature was set at the factory at 38° F, but you can adjust it to your own selected temperature. 30 seconds after adjustment, the display automatically reverts to showing the current temperature.

The refrigerator will automatically defrost as needed, there is no set time for defrost. Push and immediately release the "melting" or defrost button for a manual defrost.

*Note: Holding the defrost button in too long will shut the controller off.*

The pans must be kept in place for proper temperature control.

The internal fan will be on all the time.

The compressor and condenser fan motor will only be on when the controller senses an increase in internal cabinet temperature passed the set point.

If equipped with glass doors, holding the SC button in will turn the cabinet light on or off.



In most cases the only thing displayed will be the cabinet temperature. When something other than normal operation has occurred, a message will be shown.

| Message Displayed  | Why                            | What to do  |
|--------------------|--------------------------------|---|
| dEF                | Unit is defrosting             | Nothing. Normal operation.                                |
| H <sub>i</sub>     | Cabinet temperature too warm   | Confirm doors or drawers are closed.                      |
| dOr                | Door is open                   | Close door, if message does not change, call for service. |
| LER                | Compressor run time too long   | Check doors or drawers closed. If yes, call for service.  |
| E01, E02, E03, E04 | Sensor unplugged or has failed | Call for service.   |

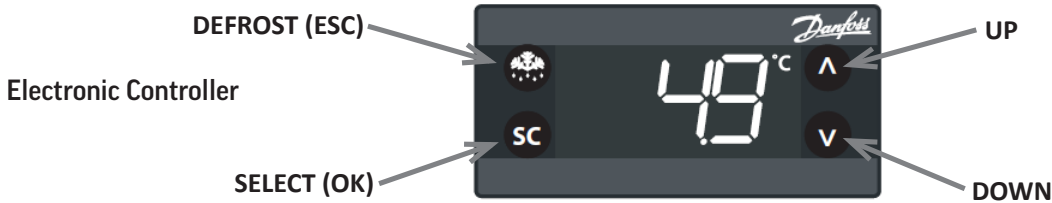
**SEQUENCE OF OPERATIONS REFRIGERATOR**

The refrigerator operates based on the air temperature measured by the probe located at the return air.

| COMPONENT      | ON   |   | OFF   |   |
|----------------|--|---|---|---|
|                | OPERATION  | CONTROLLER ACTION   | OPERATION   | CONTROLLER ACTION   |
| COMPRESSOR     | Compressor turns on when the air temperature at the probe is above the sum of the set point +2                   | The Compressor Contact is energized   | Compressor turns off when the air temperature at probe is equal to or less than the set point -2      | The Compressor Contact is de-energized  |
|                |  | (ERC 112 – Terminal #1)   |   | (ERC 112 – Terminal #1)   |
| CONDENSER FAN  | The Condenser Fan turns on when the Compressor is running  | The Condenser Fan is wired directly to the Compressor, not through the controller       | The Condenser Fan turns off when the Compressor is not running  | The Condenser Fan is wired directly to the Compressor, not through the controller       |
| EVAPORATOR FAN | The Evaporator Fan runs continuously in refrigerators. When the unit is plugged in, the Evaporator Fan will run. | The Evaporator Fan is connected directly to incoming power, not through the controller. | The Evaporator Fan runs continuously. When the unit is plugged in, The Evaporator Fan will run.       | The Evaporator Fan is connected directly to incoming power, not through the controller. |
| LIGHT          | The light will turn on when the <b>(SC)</b> is pressed (or when the door is opened with solid doors)             | The Light Contact is energized  | The light will turn off when the <b>(SC)</b> is pressed (or when the door is closed with solid doors) | The Light Contact is de-energized   |
|                |  | (ERC 112 – Terminal #4)   |   | (ERC 112 – Terminal #4)   |

| Condition                            | Compressor | Condenser Fan | Evaporator Fan | Lights    |
|--------------------------------------|------------|---------------|----------------|-----------|
| Cabinet Temp > Set point + 2         | ON         | ON            | ON             | ON or OFF |
| Cabinet Temperature <= Set point - 2 | OFF        | OFF           | ON             | ON or OFF |
| Defrost                              | OFF        | OFF           | ON             | ON or OFF |

**DANFOSS CONTROLLER**



**Control Panel Display**

*Note: Defrost is manual, LED indicator is inoperative.*

|  |                    |                |      |                       |   |
|--|--------------------|----------------|------|-----------------------|---|
|  | <b>Defrost LED</b> |                |      | <b>Alarm LED</b>      |   |
|  | On fixed:          | Defrost active |      | On fixed:             | ALARM Present                           |
|  | Off:               | Defrost is off |      | Flashing:             | ALARM Silenced                          |
|  |                    |                | Off: | No Alarm              |   |
|  | <b>Fan LED</b>     |                |      | <b>Compressor LED</b> |   |
|  | On fixed:          | Fan active     |      | On fixed:             | Compressor active                       |
|  | Off:               | Fan Off        |      | Flashing:             | Delay, protection or activation blocked |
|  |                    |                | Off: | No Alarm              |   |

**NOTE:** When switched on, the instrument panel performs a lamp test for a few seconds.

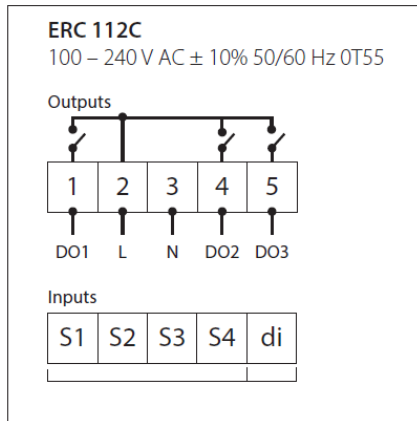
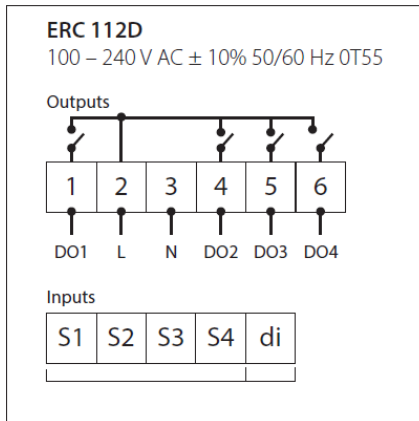
**Keyboard Functions**

|                                |                                |                                  |                         |
|--------------------------------|--------------------------------|----------------------------------|-------------------------|
| ▲                              | ▼                              |                                  |                         |
| <b>UP</b>                      | <b>DOWN</b>                    | <b>DEFROST (ESC)</b>             | <b>SET (ENTER)</b>      |
| Quick press and release        | Quick press and release        | Quick press and release          | Quick press and release |
| • Increases Set Point          | • Decreases Set Point          | • Activates manual defrost       | • Toggles lights on/off |
| Long press and release         | Long press and release         | Long press and release           | Long press and release  |
| • Increases display brightness | • Decreases display brightness | • Controller enter stand-by mode | • Toggles display °F/°C |

*Note: When the controller is in a Standby Mode, a blue dot will be displayed as shown here. To switch out of Standby Mode, push and hold the Defrost button until the display reads ON.*



## CONTROL PANEL CONNECTIONS



### Changing the Set point

**Current temperature**

- The display shows the current temperature
- Flashing temperature setpoint**

Press: UP/DOWN to adjust setup
- After 30 seconds, the display automatically reverts to showing the current temperature


The alarm condition is always signaled by the alarm icon 📌.


Press any button to silence the alarm, the relative icon will continue flashing.

| Alarm Code | Trigger  | Automatic Clearance | Outputs   | Comments                            |
|------------|--|---------------------|---|-------------------------------------|
| "Hi"       | Air temperature is higher than "ALA->Hat" for "ALA->Htd" | User configured     | Blink "Hi" with the highest temperature; If configured: cut in alarm relay, beep the buzzer | High temperature alarm              |
| "Lo"       | Air temperature is lower than "LAT" for "Ltd"            | User configured     | Blink "Lo" with the lowest temperature. If configured: cut in alarm relay, beep the buzzer  | Low temperature alarm               |
| "Con"      | Condenser temperature is too high or too low             | User configured     | Blink "Con". If configured: cut in alarm relay, beep the buzzer                             | Condenser alarm                     |
| "dor"      | Door open for more than                                  | Always              | Blink "dor". If configured: cut in alarm relay, beep the buzzer                             | Door open alarm                     |
| "uHi"      | Line voltage is higher than "Cop->uHi"                   | Always              | Blink "uHi". If configured: cut in alarm relay, beep the buzzer                             | High voltage alarm                  |
| "uLi"      | Line voltage is higher than "Cop->uLi"                   | Always              | Blink "uLo". If configured: cut in alarm relay, beep the buzzer.                            | Low voltage alarm                   |
| "LEA"      | Compressor continuous running for more than "ALA->LEA"   | Always              | Blink "LEA". If configured: cut in alarm relay, beep the buzzer                             | Leakage alarm                       |
| "E01"      | "S1" error   | Always              | Blink "E01". If configured: cut in alarm relay, beep the buzzer                             | "S1" sensor failure (short or open) |
| "E02"      | "S1" error   | Always              | Blink "E02". If configured: cut in alarm relay, beep the buzzer                             | "S2" sensor failure (short or open) |
| "E03"      | "S1" error   | Always              | Blink "E03". If configured: cut in alarm relay, beep the buzzer                             | "S3" sensor failure (short or open) |
| "E04"      | "S1" error   | Always              | Blink "E04". If configured: cut in alarm relay, beep the buzzer                             | "S4" sensor failure (short or open) |

How to Acknowledge Alarms:

**NOTE:** If alarm exclusion times are in progress (ALA folder of the parameter table), the alarm is not signaled.

- 

The alarm code flashing alternately with the temperature and the alarm symbol is displayed
- 

After the acknowledge the temperature is displayed and the alarm symbol remains shown

Press any button to acknowledge

## USING THE UNIT - ELIWELL CONTROLLER

Operation is simple, just keep it connected to the correct power supply and the refrigerator will maintain the internal temperature it has been set to. Keep the doors and / or drawers closed as much as possible to avoid unnecessary run time.

The controller displays the current internal temperature.

Adjusting the set temperature lower will NOT cause the system to lower the temperature faster. When on, the refrigeration system is always operating at maximum.

The temperature was set at the factory at 35° F, but you can adjust it to your own selected temperature. 30 seconds after adjustment, the display automatically reverts to showing the current temperature.

The refrigerator will automatically defrost as needed, there is no set time for defrost. Push and immediately release the "melting" or defrost button for a manual defrost.

The internal fan will be on when the unit is plugged in.

The compressor and condenser fan motor will only be on when the controller senses an increase in internal cabinet temperature passed the set point.

If equipped with glass doors, pressing the down button in will turn the cabinet light on or off.



In most cases the only thing displayed will be the cabinet temperature. When something other than normal operation has occurred, a message will be shown.

| Message Displayed | Why                            | What to do  |
|-------------------|--------------------------------|---|
| dEF               | Unit is defrosting             | Nothing. Normal operation.                                |
| AH1               | Cabinet temperature too warm   | Confirm doors or drawers are closed.                      |
| OPd               | Door is open                   | Close door, if message does not change, call for service. |
| E1, E2, E3, E4    | Sensor unplugged or has failed | Call for service.   |

**SEQUENCE OF OPERATIONS REFRIGERATOR**






The refrigerator operates based on the air temperature measured by the probe located at the return air.

|               | ON   |   | OFF   |   |
|---------------|--|---|---|---|
| COMPONENT     | OPERATION  | CONTROLLER ACTION   | OPERATION   | CONTROLLER ACTION   |
| COMPRESSOR    | Compressor turns on when the air temperature at the probe is above the sum of the set point + 4      | The Compressor Contact is energized   | Compressor turns off when the air temperature at probe is equal to or less than the set point         | The Compressor Contact is de-energized  |
|               |  | (EW+978 - Terminal #1)  |   | (EW+978 - Terminal #1)  |
| CONDENSER FAN | The Condenser Fan turns on when the Compressor is running  | The Condenser Fan is wired directly to the Compressor, not through the controller | The Condenser Fan turns off when the Compressor is not running  | The Condenser Fan is wired directly to the Compressor, not through the controller |
| EVAP FAN      | The Evaporator Fan turns on when the unit is powered on.   | The Evaporator Fan is wired to constant power                                     | The Evaporator Fan turns off when the unit is unplugged or put into standby.                          | The Evaporator Fan is wired to constant power                                     |
|               |  | Some models will be wired to the fan relay (EW+978 - Terminal #3)                 |   | Some models will be wired to the fan relay (EW+978 - Terminal #3)                 |
| LIGHT         | The light will turn on when the down button is pressed (or when the door is opened with solid doors) | The Light Contact is energized  | The light will turn off when the down button is pressed (or when the door is closed with solid doors) | The Light Contact is de-energized   |
|               |  | (Ew+978 – Terminal #2)  |   | (Ew+978 – Terminal #2)  |





| Condition                            | Compressor | Condenser Fan | Evaporator Fan | Lights    |
|--------------------------------------|------------|---------------|----------------|-----------|
| Cabinet Temp > Set point + 4         | ON         | ON            | ON             | ON or OFF |
| Cabinet Temperature <= Set point - 4 | OFF        | OFF           | ON             | ON or OFF |
| Defrost                              | OFF        | OFF           | ON             | ON or OFF |



Controller Symbols

|  |   |   |  |
|--|---|---|--|
|   | <p><b>Reduced SET / Economy</b><br/>                 Permanently on: Energy Saving Mode<br/>                 Flashing: Reduced Set Mode<br/>                 Quick Flashing: Access to level 2 parameters</p> | <p><b>AUX</b></p>   | <p><b>AUX</b><br/>                 Permanently on: Aux Active<br/>                 Flashing: Deep Cooling Cycle Active</p>         |
|   | <p><b>Compressor</b><br/>                 Permanently On: Compressor Active<br/>                 Flashing: Delay, protection or blocked start-up</p>  |   | <p><b>Defrost</b><br/>                 Permanently on: Defrost Active<br/>                 Flashing: Manual or D.I. activation</p> |
|  | <p><b>Alarm</b><br/>                 Permanently on: Alarm Active<br/>                 Flashing: Alarm Acknowledged</p>   |  | <p><b>Fan</b><br/>                 Permanently on: Fans Active</p>   |
| <p><b>°C</b></p>   | <p><b>Celsius</b><br/>                 Permanently On: °C Setting</p>   | <p><b>°F</b></p>  | <p><b>Fahrenheit</b><br/>                 Permanently on: °F Setting</p>   |

Controller Buttons

|   |   |  |   |
|---|---|--|---|
|  | <p><b>Up</b><br/>                 Press and release</p> <ul style="list-style-type: none"> <li>• Scrolls through menu items</li> <li>• Increases Values</li> </ul> <p>Press for at least 5 seconds</p> <ul style="list-style-type: none"> <li>• Activates the manual defrost</li> </ul> |  | <p><b>Stand-by</b><br/>                 Press and release</p> <ul style="list-style-type: none"> <li>• Returns to the previous menu level</li> <li>• Confirm parameter value</li> </ul> <p>Press for at least 5 seconds</p> <ul style="list-style-type: none"> <li>• Activates the stand-by function</li> </ul>               |
|  | <p><b>Down</b><br/>                 Press and release</p> <ul style="list-style-type: none"> <li>• Scrolls through menu items</li> <li>• Decreases values</li> </ul> <p>Press for at least 5 seconds</p> <ul style="list-style-type: none"> <li>• Turn light on/off</li> </ul>          |  | <p><b>Set (Enter)</b><br/>                 Press and release</p> <ul style="list-style-type: none"> <li>• Displays alarms</li> <li>• Opens the machine status menu</li> </ul> <p>Press for at least 5 seconds</p> <ul style="list-style-type: none"> <li>• Opens the programming menu</li> <li>• Confirms commands</li> </ul> |

Alarms are always indicated by the buzzer (if present) and the alarm icon. To switch off the buzzer, press and release any key, the relative icon will continue to flash.

*NOTE: If alarm exclusion times have been set (see AL folder in the parameters table), the alarm will not be signaled.*

| Alarm Code | Trigger                          | Automatic Clearance | Outputs   | Comments                             |
|------------|----------------------------------|---------------------|---|--------------------------------------|
| "AH1"      | Pb1 probe HIGH Temperature alarm | User configured     | Label AH1 displayed alternately with the actual value read by the probe Pb1 | High temperature alarm               |
| "AL1"      | Pb1 probe LOW Temperature alarm  | User                | Label AL1 displayed alternately with the actual value read by the probe Pb1 | Low temperature alarm                |
| "OPd"      | Door open for more than          | Always              | Label OPd displayed alternately with the actual value read by probe Pb1     | Door open alarm                      |
| "E1"       | "E1" error                       | Always              | Blink "E1 ". If configured: cut in alarm relay, beep the buzzer             | "PB1" sensor failure (short or open) |
| "E2"       | "E2" error                       | Always              | Blink "E2". If configured: cut in alarm relay, beep the buzzer              | "PB2" sensor failure (short or open) |
| "E3"       | "E3" error                       | Always              | Blink "E3 ". If configured: cut in alarm relay, beep the buzzer             | "PB3" sensor failure (short or open) |
| "E4"       | "E4" error                       | Always              | Blink "E4 ". If configured: cut in alarm relay, beep the buzzer             | "PB4" sensor failure (short or open) |

**CLEANING AND MAINTENANCE**

**Cleaning Schedule:**

| <b>Cabinet</b>  | <b>Condenser coil</b> | <b>Gaskets</b>  | <b>Routine maintenance</b> |
|-----------------|-----------------------|---|----------------------------|
| Daily wipe down | Quarterly cleaning    | Daily inspection, check that hinges are tight to the cabinet. | Annually                   |
| Weekly interior |                       |   |                            |

**Daily Exterior Cleaning**

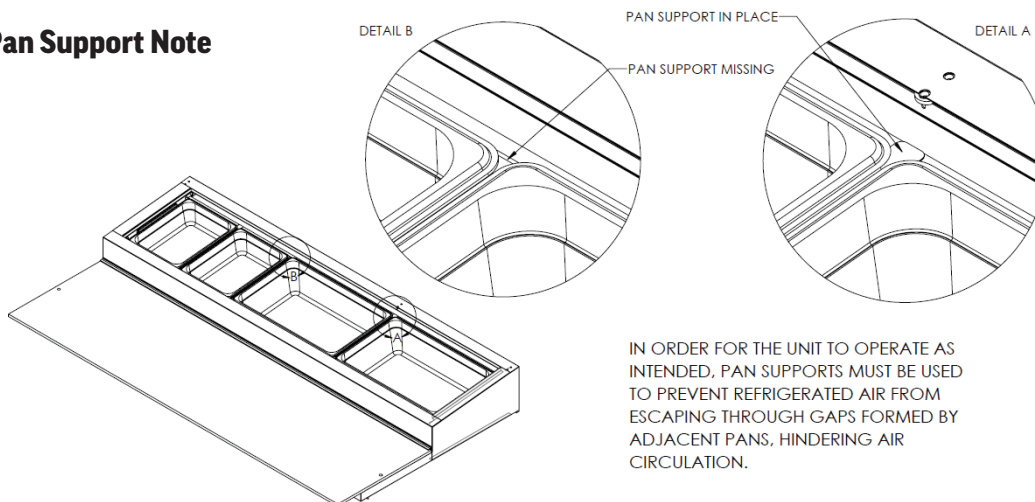
It is much easier to clean on a regular basis than to have to remove stains once they have built up.

1. Wash with a clean sponge and a mild detergent that does not contain chlorine.
2. Rinse with clean water.
3. Dry with a soft cloth.
4. Polish with a soft cloth, wiping with the grain.
5. Wipe weekly with stainless steel cleaner.

**Weekly Interior Cleaning**

1. Remove all food, food related items and shelves. Store the food at a safe temperature.
2. Disconnect power to the unit (unplug it or switch the breaker off).
3. Remove all loose food particles from the inside walls, floor, door liner and ceiling.
4. Scrub all interior surfaces and door gaskets with a warm (100°F to 110°F) detergent solution and a soft scrub brush.
5. Rinse with clean water and allow to air dry.
6. Return the shelves to the unit and secure them.
7. Restore power.
8. Return food to the unit when it has reached a safe temperature.


**Pan Support Note**



## CONDENSER CLEANING

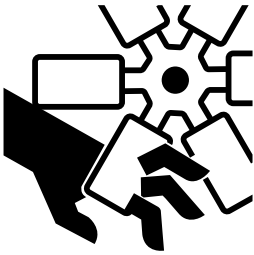
Keeping the condenser coil clean is critical to efficient operation.

1. Unplug unit from power supply.



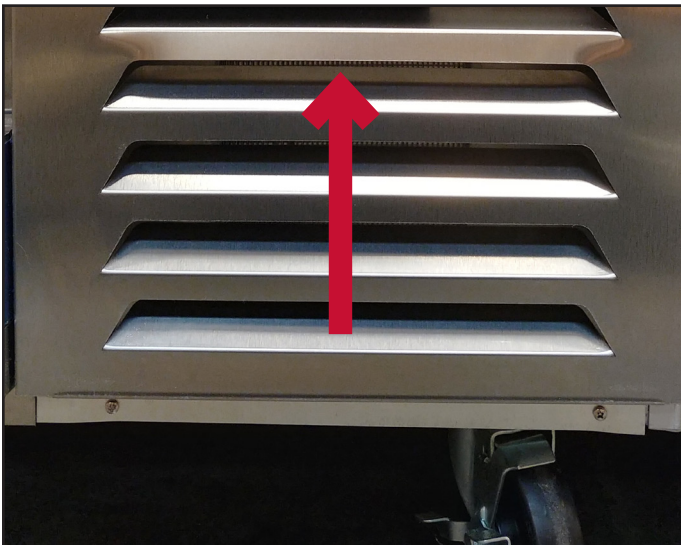
**CAUTION**

**Rotating fan blade can cause personal injury.**

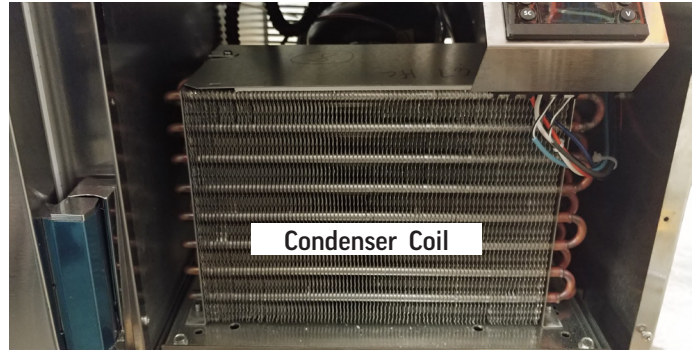


Unplug unit from power supply before beginning to clean condenser

2. Lift grill up and pull out to release it.



3. Pull grill carefully out and off the cabinet.



4. Examine condenser surface, if dusty, brush and vacuum the dust and lint from the surface of the coil. Brush up and down to avoid damaging the fins. Use care to not disturb the wires connected to the controller.

---

*Note: If the coil is greasy, the coil will need to be cleaned with coil cleaner and that should be left to an experienced technician.*

---

5. Return grill to unit.

---

*Note: Air filters are not recommended as they restrict the flow of cooling air.*

---

**METHODS FOR CLEANING STAINLESS STEEL**

| Cleaning Needed   | Cleaning Agent   | Method of Application  | Affect on Finish   |
|---|--|--|--|
| Smears and fingerprints   | Areal 20, Lac-O-Nu, Lumin Wash O’Cedar Cream Polish, Stainless Shine.  | Rub with cloth as directed on the package.   | Satisfactory for use on all finishes.<br>Provides barrier film to minimize prints.   |
| Stubborn Spots and Stains, Baked-On Splatter, and Other Light Discolorations                  | Allchem Concentrated Cleaner.  | Apply with damp sponge or cloth.<br>Rub with damp cloth.   | Use in direction of polish lines on No. 4 (polished) finish. May scratch No. 2 (mill) and Nos. 7 and 8 (polished) finishes.      |
|   | Samae, Twinkle or Cameo Copper Cleaner   | Rub with damp cloth.   |  |
|   | Grade FFF Italian pumice, whiting, or talc.  | Rub with dry cloth.  |  |
|   | Liquid NuSteel<br>Paste NuSteel or DuBois Temp.<br>Copper’s Stainless Steel Cleaner<br>Revere Stainless Cleaner<br>Household cleansers, such as Old Dutch, Lighthouse, Sunbrite, Wyandotte, Bab-O, Gold Dust, Sapolio, Bon Ami, Ajax, or Comet<br>Grade F Italian Pumice, Steel Bright, Lumin Cleaner, Zud, Restore, Sta-Clean, or Highlite.<br>Penny-Brite or Copper-Brite. | Use small amount of cleaner.<br>Rub with dry cloth using a small amount of cleaner.<br>Apply with damp sponge or cloth.<br>Rub with a damp cloth. May contain chlorine bleaches.<br>Rinse thoroughly after use.<br>Rub with a damp cloth.<br>Rub with a dry cloth using a small amount of cleaner. |  |
| Heat tint or discoloration  | Penny-Brite or Copper-Brite.<br>Past NuSteel, DuBois Temp, or Tarnite. Revere Stainless Steel Cleaner. Allen Polish, Steel Bright, Tenacious Deposits, Rusty Discolorations, Industrial Atmospheric Stains Wyandotte, Bab-O or Zud.  | Rub with a dry cloth.<br>Rub with a dry cloth or stainless steel wool.<br>Apply with damp sponge or cloth.<br>Rub with a damp cloth.   |  |
| Burnt-On Foods and Grease Fatty Acids, Milkstone (where swabbing or rubbing is not practical) | Easy-Off, De-Grease-It, 4 to 6% hot solution of such agents as trisodium phosphate or sodium tripolyphosphate or 5 to 15% caustic soda solution  | Apply generous coating. Allow to stand for 10-15 minutes.<br>Rinse.<br>Repeated application may be necessary.  | Excellent removal, satisfactory for use on all finishes.   |
| Tenacious Deposits, Rusty Discolorations, Industrial Atmospheric Stains                       | Oakite No. 33, Dilac Texo 12, Texo NY, Flash-Klenz, Caddy Cleaner, Turco Scale 4368 or Permag 57.  | Swab and soak with clean cloth.<br>Let stand 15 minutes or more according to directions on package, then rinse and dry.  | Satisfactory for use on all finishes   |
| Hard Water Spots and Scale  | Vinegar.<br>5% oxalic acid, 5% sulfamic acid, 5 to 10% phosphoric acid, or Dilac, Oakite No. 33, Texo 12, Texo N.Y.  | Swab or wipe with cloth. Rinse with water and dry.<br>Swab or soak with cloth. Let stand 10-15 minutes. Always follow with neutralizer rinse, and dry.   | Satisfactory for all finishes.<br>Satisfactory for all finishes.<br>Effective on tenacious deposits or where scale has built up. |

## HELP

| Trouble Diagnosis for the User                           |  |  |
|--|--|--|
| Malfunction  | Possible Cause   | Likely Solution  |
| No cooling - unit is silent                              | Unit not plugged in.<br>Fuse or circuit breaker tripped.<br>Power cord plug loose in outlet. | Connect to proper voltage circuit Replace fuse or reset breaker.<br>Check outlet for loose connection, replace as needed |
| Unit cools but seems to be on all the time               | Dirty condenser  | Clean condenser  |
| Space temperature too high                               | Dirty condenser<br>Evaporator iced over Unit in high temperature environment                 | Clean condenser Defrost evaporator<br>Reduce temperature of room   |
| Space temperature too low, freezing beverage             | Temperature control  | Adjust or replace control  |
| Trouble Diagnosis for the Technician                     |  |  |
| No cooling - compressor does not hum                     | Temp control stuck in open position  | Replace temp control.  |
| No cooling - compressor hums but does not start          | Low voltage to unit.<br>Compressor starting system failure                                   | Check voltage, correct as needed. Check start relay and start capacitor. See next step.                                  |
| No cooling - compressor starts but shuts off             | Compressor start relay failure Compressor start capacitor failure                            | Replace relay. Replace capacitor.  |
| No cooling - compressor cycles on and off                | Overheating weak overload  | Clean condenser, check fan motor and blade. Check refrigerant charge. Replace overload.                                  |
| Unit cools, but is slow to pull cabinet temperature down | Evaporator fan not turning   | Check fan(s), on multiple fan units one fan may be turning slowly and will need to be replaced.                          |
| Unit cools but turns on and off frequently               | No product in cabinet. Temperature control defective Refrigeration issue                     | Fill cabinet Replace control<br>Have system checked  |
| Makes excessive noise                                    | Tubing rattle Loose parts<br>Bent or broken fan blade Noisy fan motor                        | Check tubing for routing Check for loose components Replace fan blade<br>Replace fan motor                               |

**FOR THE SERVICE TECH**

Refrigeration service should only be attempted by a trained trade professional certified to work on R290 systems.

**Here are some critical service items.**

This list does not qualify anyone to service the unit. It is a reminder and checklist for the service tech. Keep these in mind for R290 service:

- Wire nuts are **NOT** to be used when changing an electrical part.
- The switches in this product are sealed, **only exact replacements** may be used.
- The process tubes are to be used for service access.
- Cut out (with tubing cutter) refrigeration components that are to be replaced. Do **NOT** un-braze.
- Because R290 can be vented into the air during service, the venting **MUST** be in an area free from flame or spark. It must also be in a well ventilated area, with a nearby open window or door.
- A sign noting service of a system containing propane must be attached to the unit during refrigeration service.
- A combustible gas leak detector must be used to inform anyone in the area when propane is present in the air.

**Other Information:**

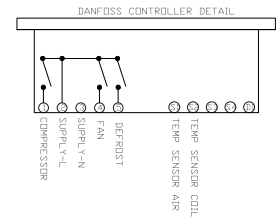
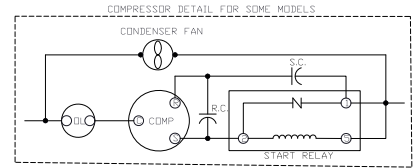
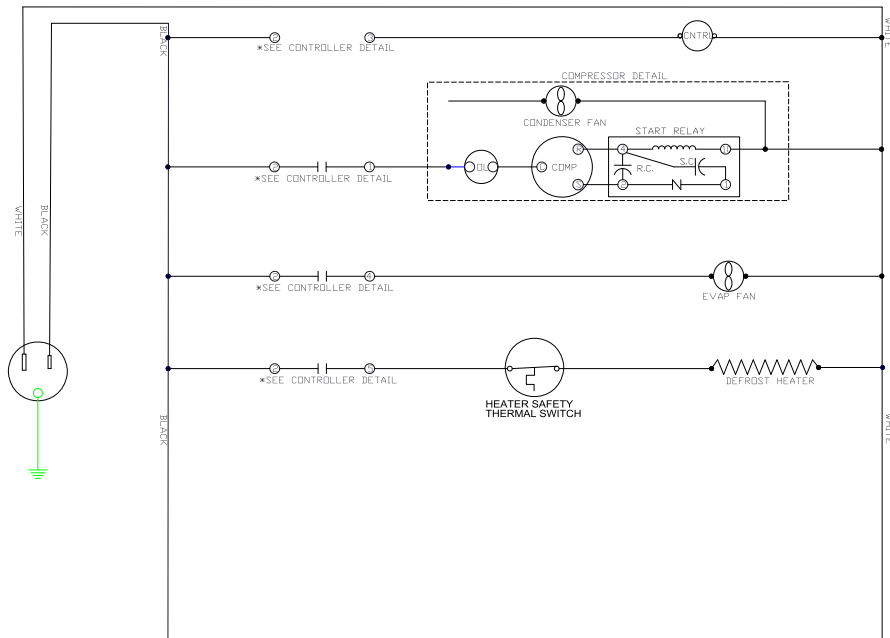
**Evacuation:** It is critical that a refrigeration system be leak free and internally dry. A thorough evacuation with a good vacuum pump with a micron gauge attached is the only way to ensure that the system is dry and ready for a charge of refrigerant.

**Charging:** The system is critically charged and the proper type and amount **MUST** be weighed in.

**Overcharge symptoms:** Unit will cool properly but the suction line temperature will be unusually cold. Compressor run time will be longer than normal.

**Undercharge symptoms:** Long run time, poor cooling and a hot compressor dome are the main symptoms of an undercharge.

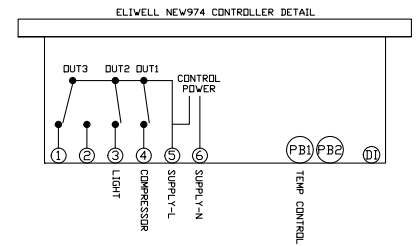
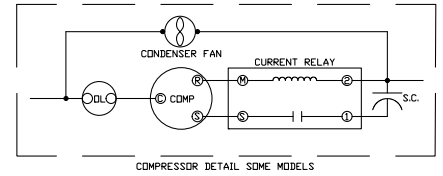
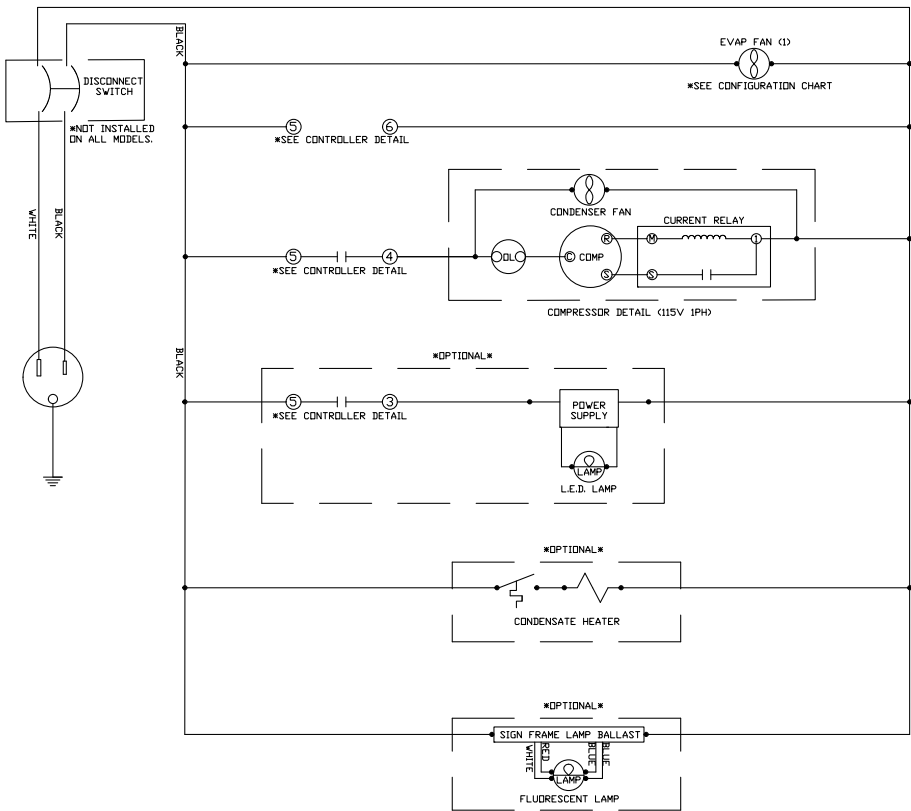
## FOR THE SERVICE TECH - WIRING DIAGRAM - DANFOSS CONTROLLER



LEGEND

|     |                               |
|-----|-------------------------------|
| RC  | - RUN CAPACITOR               |
| SC  | - START CAPACITOR             |
| DL  | - OVERLOAD                    |
| ○   | - DANFOSS CONTROLLER TERMINAL |
| ●   | - CONNECTION POINT            |
| ICR | - CONTROL RELAY               |

## FOR THE SERVICE TECH - WIRING DIAGRAM - ELIWELL CONTROLLER



LEGEND

|     |                               |
|-----|-------------------------------|
| RC  | - RUN CAPACITOR               |
| SC  | - START CAPACITOR             |
| OL  | - OVERLOAD                    |
| ⓪   | - ELIWELL CONTROLLER TERMINAL |
| •   | - CONNECTION POINT            |
| ICR | - CONTROL RELAY               |

## LIMITED WARRANTY

### WARRANTY (Warranty valid in USA and Canada)

#### SEVEN (7) YEAR PARTS, LABOR AND COMPRESSOR WARRANTY:

Beverage-Air Corporation warrants to the original purchaser of Beverage-Air branded equipment, including all parts thereof, that such equipment is free from defects in material and workmanship, under normal use, with proper maintenance, and service as indicated by Beverage-Air installation and operation instructions, for a period of SEVEN (7) years from the date of installation, or eighty-eight (88) months from the date of shipment from the manufacturer, whichever is earlier (units shipped from July 1, 2024 are eligible for 7-year warranty). In addition, Beverage-Air warrants the hermetically/semi-hermetically sealed compressor (part only) for SEVEN (7) years; not to exceed eighty-eight (88) months from the date of shipment from Beverage-Air, provided upon receipt of the compressor, manufacturer examination shows the sealed compressor to be defective. This warranty does not cover freight for the replacement compressor or freight for the return of the failed compressor.

\* Units shipped after 07/01/2024. Previous warranty applies to units shipped prior.

#### EXCEPTIONS:

- CT96 and CF3 models carry a ONE (1) year parts and labor warranty, limited to fifteen (15) months from date of shipment from Beverage-Air. These are excluded from additional compressor warranty.
- SR/SF (Slate) models carry a TWO (2) year parts and labor warranty, limited to twenty-seven (27) months from date of shipment from Beverage-Air.
- BZ, VM, CDR, DPCR, MT and Blast Chillers carry a THREE (3) year parts and labor warranty; additional TWO (2) years compressor part only.
- Units installed in Residential applications will be not covered under this warranty. Units are intended for Commercial use only.

Also, this compressor-part only warranty does NOT apply to any electrical controls, condenser, evaporator, fan motors, overload switch, starting relay, capacitors, temperature control, filter/drier, accumulator, refrigeration tubing, wiring harness, labor charges, or supplies which are covered by the warranty above.

Note: 3rd party extended warranties are not covered by this warranty statement.

Normal wear parts, as deemed by Beverage-Air, such as but not exclusive to, light bulbs/lamps and gaskets are not covered by this warranty. For the purpose of this warranty, the original purchaser shall be deemed to mean the individual or company for who the product was originally installed.

Units that utilize variable speed compressor technology can experience nuisance tripping on Class A GFCI outlets which have a trip limit of 4 mA to 6 mA. To avoid this issue in a location that requires GFCI circuit protection, Beverage-Air & Victory recommends using a HUBBELL Model Number GFRST83W 20A Heavy Duty Hospital Grade Self-Test GFCI Receptacle. Nuisance tripping not covered under warranty.

Our obligation under this warranty shall be limited to repairing or replacing, including labor, any part of such product, which proves thus defective. Beverage-Air reserves the right to examine any product claimed to be defective and request photos of the unit prior to dispatching service. Moisture or water damage is not covered under warranty. If service is deemed non-warranty, Beverage-Air reserves the right to bill the end user for service.

The labor warranty shall be for self-contained units only and for standard straight time, which is defined as normal service rate time, for service performed during normal working hours. All warranty labor will be covered at standard time. Any service requested outside of a servicer's normal working hours including weekends and any additional overtime will be at the responsibility of the equipment purchaser. Any part or accessory determined to be defective in the product should be returned to the company within thirty (30) days under the terms of this warranty and must be accompanied by a record of the cabinet model, serial number, and identified with a return material authorization number (RMA#) issued by the manufacturer.

**Special installation/applications, including remote locations, are limited in coverage by this warranty. Any installation that requires extra work, and/or travel, to gain access to the unit for service is the sole responsibility of the equipment purchaser.**

Improper operation resulting from factors, including but not limited to, improper or negligent cleaning and maintenance, improper installation, low voltage conditions, inadequate wiring, outdoor use (unless otherwise specified) and accidental damage are not manufacturing defects and are strictly the responsibility of the purchaser.

**LIMITED WARRANTY (CONTINUED)**

With the exception of Blast Chillers, the product is designed for maintaining temperature and not bringing food to a desired temperature and therefore cannot be held responsible for this function under warranty. Units must be in a conditioned environment or warranty will be void. Non-standard use of unit can also be subject to reduced or voided warranty.

Condensing coils must be cleaned at regular intervals as a part of preventative maintenance for optimal performance. Failure to do so is subject to a voided warranty. Although cleaning requirements vary in accordance with operation of various products, Beverage-Air recommends a minimum monthly cleaning.

**NO CLAIMS CAN BE MADE AGAINST THIS WARRANTY FOR SPOILAGE OF FOOD, PRODUCTS, LOSS OF SALES OR CONSEQUENTIAL DAMAGES.**

THE FOREGOING WARRANTIES ARE EXPRESSLY GIVEN IN LIEU OF ALL OTHER WARRANTIES, EXPRESS, IMPLIED, OR STATUTORY, INCLUDING THE IMPLIED WARRANTIES OF MERCHANTABILITY AND FITNESS FOR A PARTICULAR PURPOSE, WHICH ARE HERBY DISCLAIMED, ALL OTHER OBLIGATIONS OR LIABILITIES ON OUR PART, AND WE NEITHER ASSUME, NOR AUTHORIZE ANY OTHER PERSON TO ASSUME FOR US, ANY OBLIGATION OR LIABILITY IN CONNECTION WITH THE SALE OF SAID REFRIGERATION UNITS OR ANY PARTS THERE OF.

This warranty shall not be assignable and shall be honored only in so far as the original purchaser. This warranty does not apply outside the limits of the United States of America and Canada, nor does it apply to any part that has been subject to misuse, neglect, alteration, accident, or to any damage caused by transportation, flood, fire, acts of terrorism, or acts of God.

**LIMITATION OF LIABILITY:**

Beverage-Air Corporation or their affiliates shall not be liable for any indirect, incidental, special or consequential damages, or losses of a commercial nature arising out of malfunction equipment or its parts components thereof, as a result of defects in material or workmanship.

THE ORIGINAL OWNER'S SOLE AND EXCLUSIVE REMEDY AND BEVERAGE-AIR'S SOLE AND EXCLUSIVE LIABILITY SHALL BE LIMITED TO THE REPAIR OR REPLACEMENT OF PARTS OR COMPONENTS CONTAINED IN THE EQUIPMENT IDENTIFIED ABOVE WHICH UNDER NORMAL USE AND SERVICE MALFUNCTION AS A RESULT OF DEFECTS IN MATERIAL OR WORKMANSHIP, SUBJECT TO THE APPLICABLE PROVISIONS AND LIMITATIONS STATED ABOVE.

Note: Additional Terms and Conditions of sale may apply. Notice: Specifications are subject to change without notice. Contact Beverage-Air for specific model agency approval. All prices are ex-works Brookville, PA. July 1, 2024

**Warranty Registration**

Register your product online at [beverage-air.com/parts-service](http://beverage-air.com/parts-service) or fill out and mail the form below.

Cabinet Model Number: \_\_\_\_\_ Date Of Installation: \_\_\_\_\_

Cabinet Serial Number: \_\_\_\_\_

**Location Of Product**

Business Name: \_\_\_\_\_

Business Street: \_\_\_\_\_

Business City: \_\_\_\_\_ State: \_\_\_\_\_ Postal Code: \_\_\_\_\_

**Mail to:** Beverage-Air, 3779 Champion Blvd, Winston-Salem, NC 27105

Rev. 04/26

