

Project _____
 Item _____
 Quantity _____
 FCSI Section 11400 _____
 Approved _____
 Date _____

TABLE TOP, GAS-FIRED KETTLES

TILTING, 2/3 STEAM JACKETED, "SPASH PROOF SERIES",
 6 OR 12 GALLONS (23 OR 45 LITERS)

Models

- KGT-6-T • KGT-12-T



KGT-12-T (SHOWN WITH
STANDARD CONTROLS)



KGT-12-T (SHOWN WITH
OPTIONAL EASYDIAL CONTROLS)

Standard Features

- Self contained gas tilting kettle is easily installed, only needs a gas connection and a 115 volt outlet.
- Accurate, "Splash Proof", constant solid state temperature controls - less than $\pm 1^{\circ}\text{C}$ variance (ideal for simmering). Operating temperature range from 145° - 260°F (63°C - 127°C)
- **Standard Control Panel includes:**
 - LED indicator for heat cycle • LED indicator for low water
 - Power ON/OFF Dial with 1-10 Temperature Dial Setting
- **easyDial Control Panel (optional) includes:**
 - Adjustable Temperature Control (C&F) • 99 Minute Adjustable Timer Setting • 3 Cooking Models, Cook/Simmer, Cook/On, Cook Off • 6-Built In Self Diagnostics & Display Readout • Core Temperature Probe (Optional)
- Kettle and all exterior surfaces are a 316 Stainless Steel with a #4 finish.
- Energy efficient (65%), high performance gas-fired heating system for fast heat up and recovery time:
 - Six gallon model with a 34,000 BTU firing rate, and 22,100 BTU directly applied to the product.
 - Twelve gallon model with a 53,000 BTU firing rate, and 34,450 BTU directly applied to the product.
- Supplied with Gas Pressure Regulator.
- Standard for natural gas operation.
- Self locking marine type tilting mechanism prevents accidental tilting. Balanced design makes it easy to tilt. The tilt handle easily mounts on left or right side. (KGT-6-T & KGT-12-T only)
- Double safety gas shut off turns off the gas when the unit is tilted.
- Large pouring lip for easier, faster pouring. Heavy duty Rolled Rim design provides strong reinforcement, prevents damages from abuse.
- "Splash Proof" pressure/vacuum gauge.
- Steam jacket permanently filled with treated distilled water, venting and / or refilling is not required.
- 50 PSI Steam Jacket Rating. Safety valve mounted toward rear of kettle to avoid tampering.
- Automatic Electronic Spark Ignition System.
- Supplied with cord and plug for 115 volt controls.
- Typical approvals include AGA, CSA, NSF and ASME.

Short Form Specifications

Shall be CLEVELAND, gas kettle, Table Type, self-contained, tilting, Model KGT- _____ -T; _____ gallons, natural or LP gas, 2/3 steam jacketed, type 316 Stainless Steel Interior. Jacket rated at 50 psi with Safety Valve. Complete with solid state water level, temperature, and safety low water power cut off, including LED indicators. Optional lift off cover.

Options & Accessories

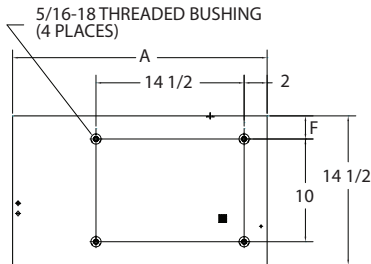
- easyDial option • Core Temperature Probe
- Stainless Steel equipment stand with sliding drain drawer and splash shield (ST-28)
- Hot and cold water faucet (DPK), or Cold Water (SPK). Requires bracket (FBKT)
- Cooking Baskets (BS) • Food Strainers (FS) • Measuring Strips (MS)
- Spray Hose (PRS-K) • Lift Off Cover (CL)
- Propane Gas Operation (PG) • Kettle Markings (KM)
- Protective Control Panel (PCE)

KE004046-76 rev C

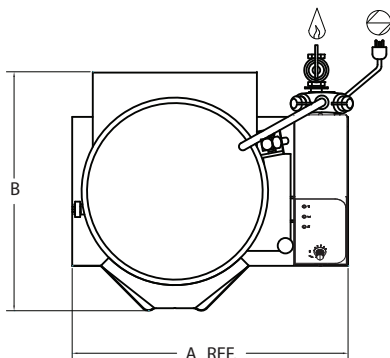
KETTLE SIZE		A	B	C	D	E	F	G
GALS.	LITERS							
6	23	24	19-1/4	13-3/8	25 1/4	30 3/8	2 1/4	3 3/4
12	46	27	23 1/4	16-3/4	27 1/4	38 1/4	3 1/4	2 1/2

ALL DIMENSIONS SHOWN IN INCHES.

• CAPACITIES: (in 4 oz. servings, other sizes may be calculated)
 6 gallons / 23 liters.....192 servings
 12 gallons / 45 liters.....352 servings



BASE MOUNTING DETAIL



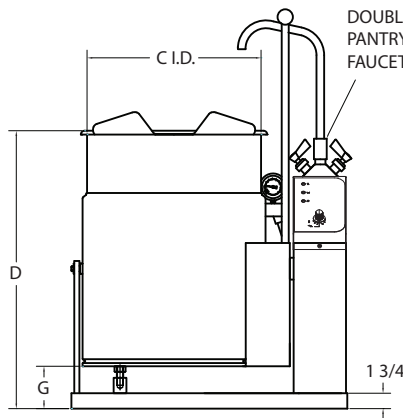
TOP VIEW



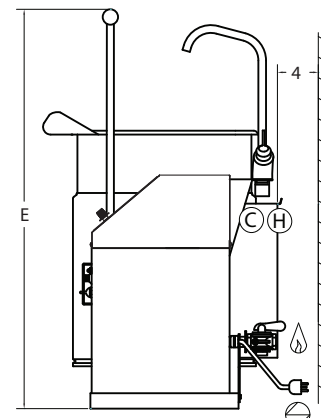
STANDARD CLASSIC CONTROLS



OPTIONAL EASYDIAL CONTROLS



FRONT VIEW



SIDE VIEW

SPECIFICATIONS:

MODEL	ELECTRICAL SUPPLY:				GAS SUPPLY: (PIPING 3/4 NPT)					APPROVALS			CLEARANCE:	SHIPPING WEIGHT
	VOLTS	PHASE	AMPS	FREQ	TYPE	BTU RATING	WATER COLUMN	BTU PER CU. FT.	SUPPLY PRESSURE	AGA	CGA	NSF		
KGT-6-T	120	1	5	60	NAT	34,000	4.2	1000	4" TO 14" W.C.	✓	✓	✓	RIGHT: 0 LEFT: 0 REAR: 4" ALLOW 12" SPACE MINIMUM ON RIGHT SIDE FOR SERVICE	180 LBS.
	120	1	5	60	LP	34,000	10	2500	4" TO 14" W.C.	✓	✓	✓		
	220	1	3	60	NAT	34,000	4.2	1000	4" TO 14" W.C.			✓		
	220	1	3	60	LP	34,000	10	2500	4" TO 14" W.C.			✓		
KGT-12-T	120	1	5	60	NAT	53,000	4.2	1000	4" TO 14" W.C.	✓	✓	✓	RIGHT: 0 LEFT: 0 (KGT-T) LEFT: 3" (KGT-TGB) REAR: 4" ALLOW 12" SPACE MINIMUM ON RIGHT SIDE FOR SERVICE	KGT-12-T 195 LBS.
	120	1	5	60	LP	53,000	10	2500	4" TO 14" W.C.	✓	✓	✓		
	220	1	3	60	NAT	53,000	4.2	1000	4" TO 14" W.C.			✓		KGT-12-TGB 215 LBS.
	220	1	3	60	LP	53,000	10	2500	4" TO 14" W.C.			✓		

NOTES:

1. MANUFACTURER MUST BE NOTIFIED IF UNIT WILL BE OPERATING ABOVE 2,000 FOOT ALTITUDE.
2. CONSULT FACTORY FOR MANUFACTURED GAS.
3. ALL VERTICAL DIMENSIONS SHOWN ARE MINIMUM.
4. UNIT COMES WITH 6' POWER CORD.
5. REFER TO RATING AND APPROVAL DOCUMENT KE95504-11.

NOTES:

Cleveland Range reserves right of design improvement or modification, as warranted. Many regional, state and local codes exist and it is the responsibility of the owner and installer to comply with the codes. Cleveland Range equipment is built to comply with applicable standards for manufacturers. Included among those approval agencies are U.L./NSF#4 and CSA (AGA, CGA).

Ⓒ COLD WATER Ⓓ HOT WATER
 PIPING: 1/2" NPT (DOUBLE)
 PIPING: 3/8" COPPER TUBE (SINGLE)

(NOT TO SCALE)

Gas Kettles