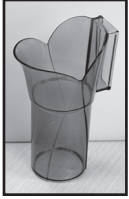


# SAF-T-ICE® BOTTLE GUARDIAN

## Instructions For Use

Thank you for purchasing the Saf-T-Ice® Bottle Guardian. The system features Universal Mounting Options: inside or outside of an ice bin, permanently or temporarily and easily fits a variety of bin-lip dimensions using the included wire hangers. Choose one of the options below which best fits your operation:

Your system includes:



(1) Guardian Holding Unit



(1) Drain Cup



(1) Mounting Bracket



(2) Wire Mounting Hangers

## Ice Bin Lip Mounting

### Inside Bin Mount

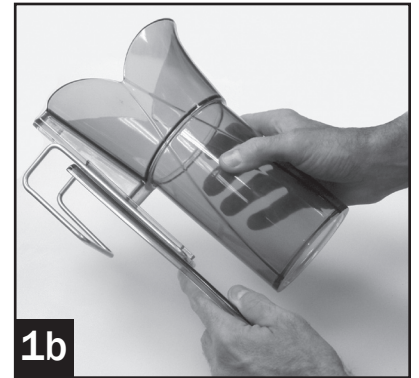


Wire Mounting Hanger

Optional Drain Cap (not shown)



1a



1b

#### 1. How to fit wire mounting hanger to mounting bracket:

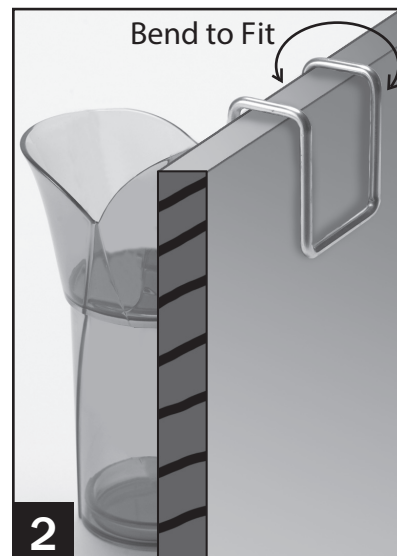
Select one of the 2 wire mounting hangers for the width of the bin lip. Position the wire hanger under the mounting bracket locking rails (1a) and slide upward into place (1b).

### Outside Bin Mount



Wire Mounting Hanger

Drain Cap



2

#### 2. How to fit wire mounting hanger to bin lip:

Bend the outside end of the hangers as needed to fit bin lid and set into place.

# Surface Mounting

For counter drop-in ice bins where lip isn't present or for a variety of other placement options.



## Permanent Mount (with Mounting Hardware):

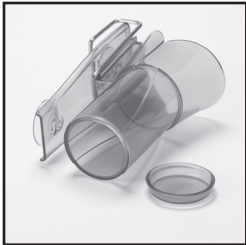
Secure the bracket to the surface by using an appropriate sized dilled hole; screw into place using a washer on the front and back of the bracket (permanent mounting hardware not included). Slide the bracket into position using the key holes and screw tight into place.

**Note:** Consult your health department and equipment manual before permanently mounting inside an ice or food bin.

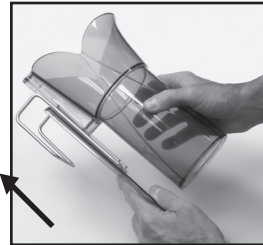


**PERFECT FOR USE WITH:**

- "Store & Pour"
- Liquor bottles
- Wine bottles



**Removable drain cap gives the option of allowing excess water to drain out or be retained.** Use of the drain cap is recommended for exterior mounting applications where excess water may accumulate on a floor causing a safety hazard.



## Daily cleaning:

Remove the guardian holding unit from the mounting bracket by lifting the unit upward to release it from the bracket locking channels. Clean and sanitize using standard manual or mechanical warehousing procedure and equipment. Commercial dishwahser safe.



**San Jamar**  
555 Koopman Lane  
Elkhorn, Wisconsin 53121  
USA  
T: +1.262.723.6133  
F: +1.262.723.4204  
info@sanjamar.com  
www.sanjamar.com

**Canada**  
3300 Bloor Street West  
Center Tower, 11th Floor  
Suite 3140 Toronto, ON  
M8X 2X3  
CANADA  
T: +1.416.760.7367  
F: +1.416.207.2071  
canada@sanjamar.com

**Europe**  
Schoorstraat 26a, bus 1  
2220 Heist op-den Berg  
BELGIUM  
T: +32 1522 8140  
F: +32 1522 8148  
emea@sanjamar.com

**México**  
Av. Universidad #1377-701  
Colonia Axotla CP 01030  
Del. Alvaro Obregón  
MEXICO, D.F.  
T: +52 (55) 3626 0772  
F: +52 (55) 5273 4495  
mexico@sanjamar.com

