

Project:	
Model #:	
Item #:	
Available W/H:	Qty:
Approval:	
AIA #:	SIS #:
CSI Section 11400	

Swing Door Merchandisers

Glass Door Merchandisers
 Super Deluxe Series

FEATURES & BENEFITS

Model : TGM-72SD*-N

Self-Cleaning Condenser

The accumulation of dust in the condenser can cause the failure or breakdown of refrigerators. Refrigerators run normally until they reach a certain level of accumulation. At some point, when they are over the limit, their performance drops quickly resulting in damage to, or disposal of the stored products inside. The Self-Cleaning Condenser device keeps the condenser clean and prevents system failure by automatically brushing daily.

Digital temperature control & monitor system

- Keeps food products safe by maintaining constant temperatures
- Alarms that sound when doors are not sealed shut; protect against food spoilage that originates from cold air leaks
- Early Warning Alarm program detects issues before malfunction occurs
- Digital display allows for easy monitoring
- Programs interpret the condition of refrigeration systems by self-diagnosis
- Rapid cool-down function (Turbo cooling)
- Automatic evaporator fan motor delays

Hydrocarbon refrigerants (R-290)

With innovative and eco-friendly technology, Turbo Air brings you hydrocarbon refrigerators designed to meet DOE's Energy Conservation Standards in 2017 and to use EPA's SNAP Program approved HC refrigerants. Hydrocarbon refrigerants do not deplete the ozone layer and have very low contribution to global warming (ODP-0, GWP-

Hot gas condensate system

Through Turbo Air's creative innovation, the condensate system surfaces have been specially treated to resist corrosion. This not only increases efficiency without the risk of refrigerant leakage from corrosion, but also prevents the overflow of condensate water.

Energy conserving fan control

Utilizing algorithmic air circulation for optimal temperature levels, our innovative fan control system conserves energy by at least 15% and increases compressor life by up to 30%.

Double pane glass doors with Low-E glass

Energy saving double pane glass doors are equipped with Low-emissivity glass, which reduces outer heat gain and decreases energy consumption. It enhances energy efficiency and minimizes condensation. Lightweight door construction also reduces door maintenance and bushing wear, which in turn facilitates smoother door opening.

High-density polyurethane insulation

The entire cabinet structure is foamed-in-place using high density, HCFC free polyurethane insulation.

Shadow free advertising panel

Turbo Air is a pioneer in the refrigerator industry on applying special LED Light Guided Panels (LGP). LGP increases panel visibility and eliminates shadows, enhancing any store atmosphere with eye-catching effects. LED lighting offers 5 times longer lasting life than fluorescents and conserves energy as well.



TGM-72SDB-N

TGM-72SDW-N

Patented Self-Cleaning Condenser



This product is equipped with a fine mesh filter to the front of the condenser to catch dust, and a rotating brush that moves up and down daily to remove excess buildup outward and away.

LED interior lighting

Refrigerator holds 33°F ~ 38°F for the best in food preservation




Model	Swing Door	CU./FT.	#of Shelves	HP	AMPS	Crated Weight (lbs.)	L x D* x H† (inches)
TGM-72SD*-N	3	68.4	12	1/2	7.9	732	78 x 31 7/8 x 77

Swing Door Merchandisers

Glass Door Merchandisers
Super Deluxe Series

Model : TGM-72SD*-N

ELECTRICAL DATA	
Voltage	115/60/1
Plug Type	 NEMA 5-15P
Full Load Amperes	7.9
Compressor HP	1/2
Cord Length (ft.)	7
Refrigerant	R-290
DIMENSIONAL DATA	
# of Doors	3
Net Capacity (cu. ft.)	68.4
Ext. Length Overall (in.)	78 (1981mm)
Ext. Depth Overall (in.)*	31 7/8 (809mm)
Ext. Height Overall (in.)†	77 (1956mm)
Int. Length Overall (in.)	74 1/2 (1891mm)
Int. Depth Overall (in.)	27 7/8 (709mm)
Int. Height Overall (in.)	61 1/4 (1556mm)
# of Shelves	12
Shelf Size (L x D) (in.)	22 3/4 x 23 3/4 (Left/Right)
	24 3/4 x 23 3/4 (Middle)
Bottle Capacity (12oz.)	1475 (1770 w/add. shelf)
Net Weight (lbs.)	634
Gross Weight (lbs.)	732

Design and specifications subject to change without notice.
Actual shipping weight may differ due to extra packing materials for product protection.
* Depth does not include 2-1/4" (57mm) for door handle.
† Height does not include 2-1/2" (63mm) for leg height.

- **WARRANTY : 5 Year Parts and Labor Warranty
7 Year Compressor Warranty**

■ STANDARD FEATURES

- Anti-corrosion coated evaporator
- Door locks standard
- ‡ **Two color options available (standard):** white cabinet (W), black cabinet with black color trim (B).

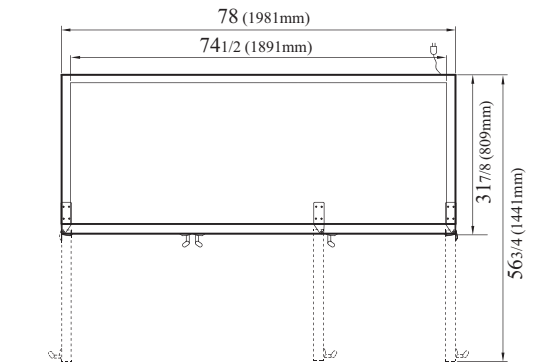
■ OPTIONAL ACCESSORIES

- 4" caster, 1/2" diameter & 13 TPI: 30265L0400 (non-brake), 30265L0300 (w/ brake)
- Additional PE coated wire shelf: P0178K0100(Left), P0178K0300(Middle), P0178K0200(Right)
- Price tag channel: P0122K5600 (Left & Right, 21"L), P0122K5400 (Middle, 21-1/2"L)
- Sign panel (blank): P0145A1120

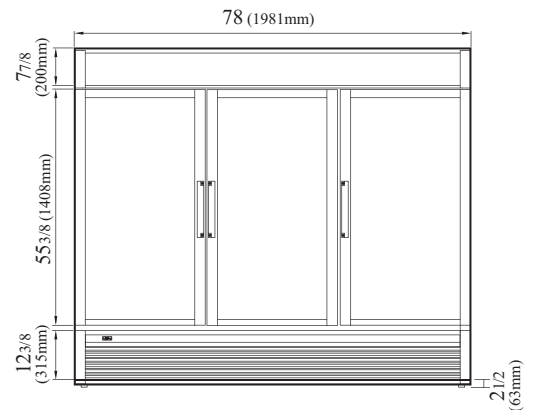
Ver.20240624

PLAN VIEW

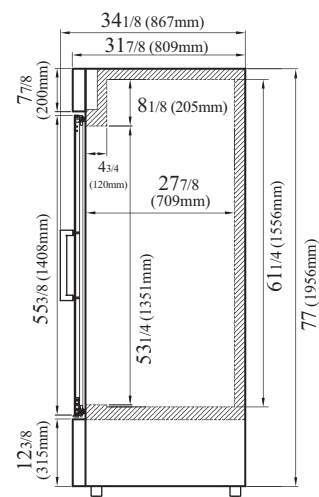
(unit : inch)



TOP VIEW



FRONT VIEW



SIDE VIEW



- Turbo Air: 800-627-0032
- Radiance: 800-500-3519
- Warranty: 800-381-7770
- AC: 888-900-1002



Continued product development may necessitate specification changes without notice.