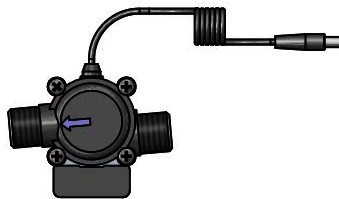
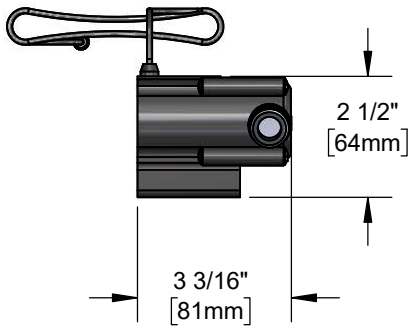




**Architect/Engineering Specifications:**

Hydro-generator power supply accessory package for ChekPoint electronic sensor faucet models with 1/2" NPSM male inlet and outlet. Minimum flow rate of 1.0 GPM required in applications using EC-HYDROGEN. Certified to ASME A112.18.1/CSA B125.1, NSF 61-Section 9 and NSF 372.

Job Name \_\_\_\_\_  
 Model Specified \_\_\_\_\_ Quantity \_\_\_\_\_  
 Variations Specified \_\_\_\_\_  
 Date \_\_\_\_\_



**Features & Benefits:**

- Hydro-generator power supply accessory
- 1/2" NPSM swivel coupling included
- No AA batteries or AC adapter needed to supply
  - power to faucet
- 1/2" NPSM inlet and outlet
- Minimum flow rate is required in applications using
  - EC-HYDROGEN
- 71" power cord w/ male plug to connect to
  - control module

**Product Compliance:**

- ASME A112.18.1 / CSA B125.1
- NSF 61 - Section 9
- NSF 372 (Low Lead Content)



**Warranty:** Three Year (Limited)

**Performance Data:**

- Pressure: 20 - 125 psi [1.38 - 8.62 bar]
- Temperature: 40 °F - 140 °F [4.44 °C - 60 °C]
- Minimum Flow Rate: 1.0 GPM [ 3.79 L/min] @ 60 psi [4.14 bar]

