



B-3960

Waste Valve with Lever Handle

Architect/Engineering Specifications:

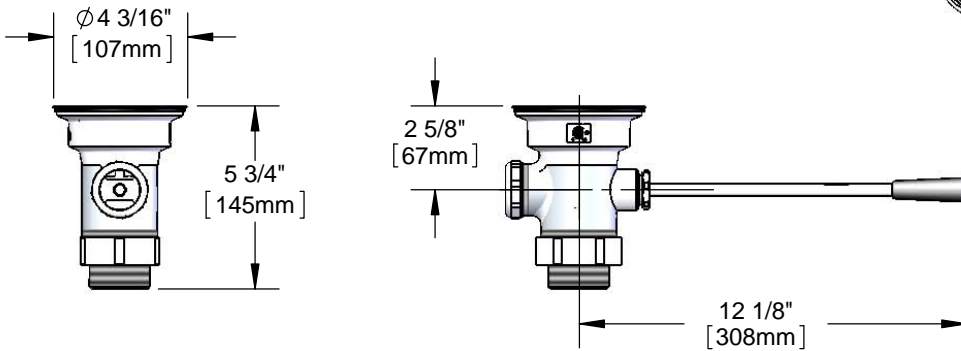
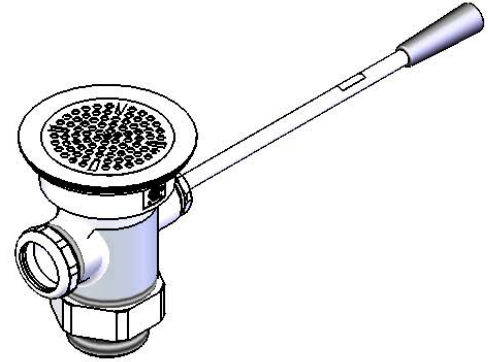
Lever waste valve for 3" sink opening with rough chrome plated body, 2" NPT male outlet / 1 1/2" NPT female outlet, lever handle with heat resistant plastic grip, 1 1/2" NPT male adapter, 3" snap-in removable strainer and overflow outlet with cap. Certified to ASME A112.18.2/CSA B125.2

Job Name \_\_\_\_\_

Model Specified \_\_\_\_\_ Quantity \_\_\_\_\_

Variations Specified \_\_\_\_\_

Date \_\_\_\_\_



Features & Benefits:

- Lever waste valve for 3" sink opening w/ rough chrome plated body
- 2" NPT male outlet / 1 1/2" NPT female outlet
- Lever handle w/ heat resistant plastic grip
- 1 1/2" NPT male adapter
- 3" snap-in removable strainer
- Overflow outlet & cap w/ sealing washer
- Material: Rough chrome plated brass body, adapter & cap, stainless steel handle and flat strainer

Product Compliance:

- ASME A112.18.2 / CSA B125.2

Warranty: One Year (Limited)

Performance Data:

- Discharge Rate: 18 GPM max

