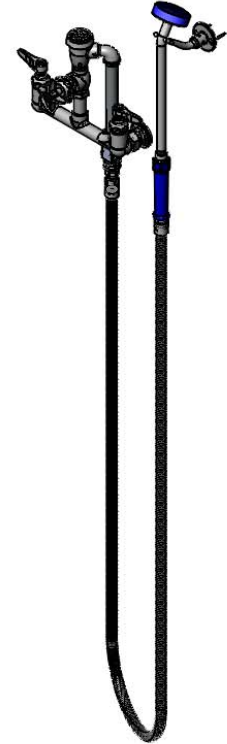
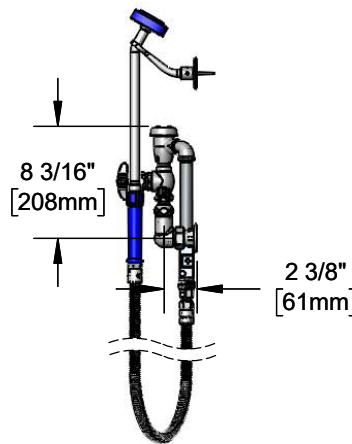
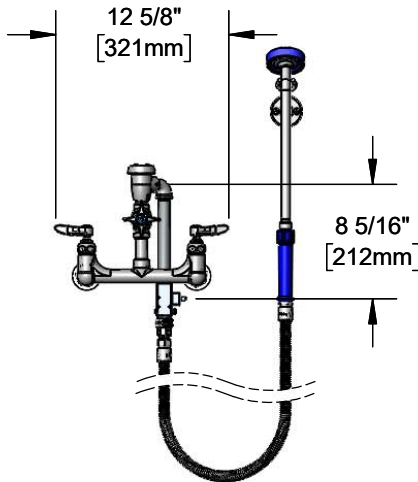




Architect/Engineering Specifications:

8" wall mount cart washdown faucet with polished chrome brass body, compression cartridges with spring checks, lever handles, control valve with compression cartridge with spring checks, 4-arm handle, vacuum breaker, soap injector, 104" flexible stainless steel hose with heat resistant handle, 12" spray wand, brush attachment, 1/2" NPT female inlets and hanger hook. Certified to ASME A112.18.1/CSA B125.1. ASSE 1001

Job Name _____
 Model Specified _____ Quantity _____
 Variations Specified _____
 Date _____



Features & Benefits:

- 8" wall mount mixing faucet w/ polished chrome plated brass body
- 1/2" vacuum breaker riser
- Shut-off valve w/ 4-arm handle
- Soap injector with 96" vinyl hose
- 104" flexible stainless steel hose w/ heat resistant blue handle
- 12" spray wand
- Brush attachment
- Quarter-turn Eterna compression cartridges with spring checks to prevent cross flow of water
- Lever w/ color coded indexes
- 1/2" NPT female eccentric inlets with Ø 2" flanges
- Adjustable centers from 7 3/4" to 8 1/4"
- Wall hook
- Material: Polished chrome plated brass body & riser, stainless steel hose, and chrome plated metal handles

Product Compliance:

- ASME A112.18.1 / CSA B125.1
- NSF 61 Exempt (Non-Potable)
- 2019 DOE PRSV Non-Compliant
- ASSE 1001 (VB)



Warranty: One Year (Limited)

Performance Data:

- Pressure: 20 - 125 psi [1.38 - 8.62 bar]
- Temperature: 40 °F - 140 °F [4.44 °C - 60 °C]
- Flow Rate: tbd GPM @ 60 psi [4.14 bar]

Optional Cartridges With Checks

- Quarter-Turn Cerama w/ Check Valve
- Quarter-Turn Eterna w/ Spring Check (Standard)

Optional Handles

- 4" Wrist Action
- Lever (Standard)
- 4-Arm

