



### Architect/Engineering Specifications:

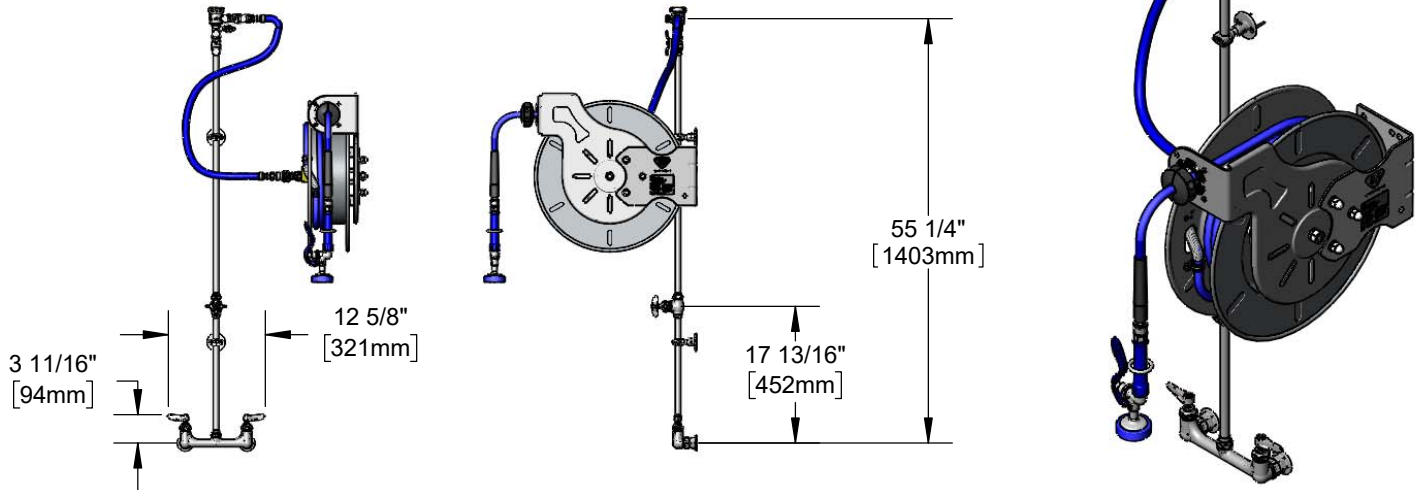
Hose reel system, 8" wall mount mixing faucet with polished chrome plated brass body, compression cartridges with spring checks, lever handles, 1/2" NPT female inlets, 16" riser, control valve, 32" riser, wall brackets, continuous pressure vacuum breaker, 36" flexible water hose connector with stainless steel quick disconnect, open stainless steel hose reel with 3/8" x 50' heavy-duty non-marking hose, ratcheting system, high flow spray valve with swivel, multi-fit bracket and adjustable hose bumper. Certified to ASSE 1056.

Job Name \_\_\_\_\_

Model Specified \_\_\_\_\_ Quantity \_\_\_\_\_

Variations Specified \_\_\_\_\_

Date \_\_\_\_\_



### Features & Benefits:

- All-in-one system with exposed piping and accessories
- 8" wall mount mixing faucet w/ polished chrome plated brass body
- Quarter-turn Eterna compression cartridges with spring checks to prevent cross flow of water
- Lever handles w/ color coded indexes
- 1/2" NPT female eccentric inlets with Ø 2" flanges
- Adjustable centers from 7 3/4" to 8 1/4"
- EasyInstall 16" and rigid 32" risers w/ control valve between risers
- (2) 2 3/8" wall brackets
- Continuous pressure vacuum breaker
- 36" flexible water hose connector with stainless steel quick disconnect
- Open stainless steel hose reel
- High flow spray valve w/ heat resistant blue handle, swivel and hold down ring
- 3/8" x 50' heavy-duty non-marking hose rated to 300 PSI
- Ratcheting system holds the length of hose until a slight tug to retract automatically
- Adjustable hose bumper
- Multi-fit bracket for wall, ceiling or under counter mounting
- Material: Polished chrome plated brass faucet body, risers and spray valve body, chrome plated metal handles, control valve and vacuum breaker and stainless steel open reel.

### Product Compliance:

- NSF 61 Exempt (Non-Potable)
- 2019 DOE PRSV Non-Compliant
- ASSE 1056 (VB)

### Warranty: One Year (Limited)

- Hose Reel: Two Year (Limited)
- Hose: One Year (Limited)



### Performance Data:

- Pressure: 20 - 125 psi
- Temperature: 40 °F - 140 °F
- Flow Rate: 2.89 GPM @ 60 psi

### Optional Cartridges With Checks

- Quarter-Turn Cerama w/ Check Valve
- Quarter-Turn Eterna w/ Spring Check (Standard)

### Optional Hose Reel Spray Valves

- |                                     |   |
|-------------------------------------|---|
| <input type="checkbox"/> B-0107     | Spray Valve                             |
| <input type="checkbox"/> B-0108     | Ergonomic Medium Flow Spray Valve       |
| <input type="checkbox"/> B-0108-H   | Ergonomic High Flow Spray Valve         |
| <input type="checkbox"/> EB-0107    | High Flow Spray Valve (Standard)        |
| <input type="checkbox"/> EB-2322    | Extended Spray Wand                     |
| <input type="checkbox"/> MV-2516-24 | Stainless Steel Rear Trigger Water Gun  |
| <input type="checkbox"/> MV-2522-24 | Stainless Steel Front Trigger Water Gun |
| <input type="checkbox"/> MV-3516-24 | Aluminum Rear Trigger Water Gun         |

