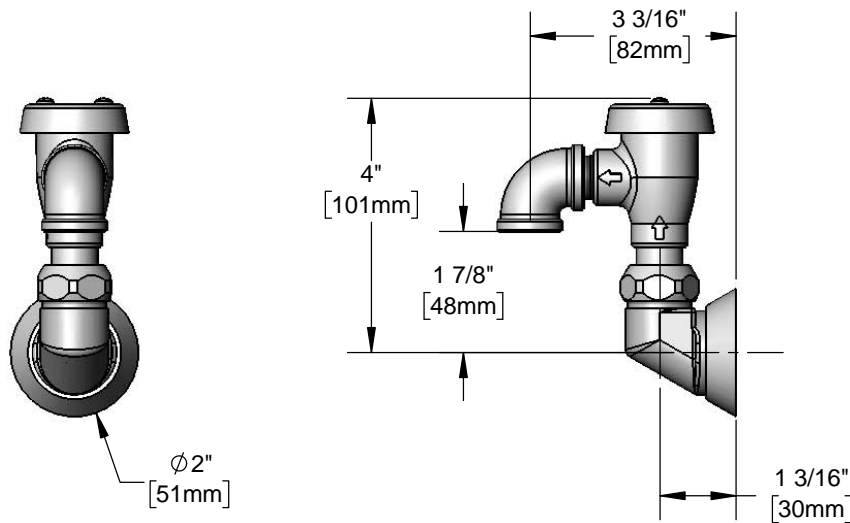




#### Architect/Engineering Specifications:

Atmospheric vacuum breaker with swivel assembly, polished chrome plated brass body, 1/2" NPT female inlet and 3/8" NPT female outlet. Certified to ASME A112.18.1/CSA B125.1, NSF 61-Section 9, NSF 372 and ASSE 1001.

Job Name \_\_\_\_\_  
 Model Specified \_\_\_\_\_ Quantity \_\_\_\_\_  
 Variations Specified \_\_\_\_\_  
 Date \_\_\_\_\_



#### Features & Benefits:

- Atmospheric vacuum breaker w/ swivel assembly
- 1/2" NPT female Inlet
- 3/8" NPT female outlet
- Material: Polished chrome plated brass body

#### Product Compliance:

- ASME A112.18.1 / CSA B125.1
- NSF 61 - Section 9
- NSF 372 (Low Lead Content)
- ASSE 1001 (VB)



**Warranty:** One Year (Limited)

#### Performance Data:

- Pressure: 20 - 125 psi
- Temperature: 40°F - 180°F
- Flow Rate: TBD GPM @ 60 psi

