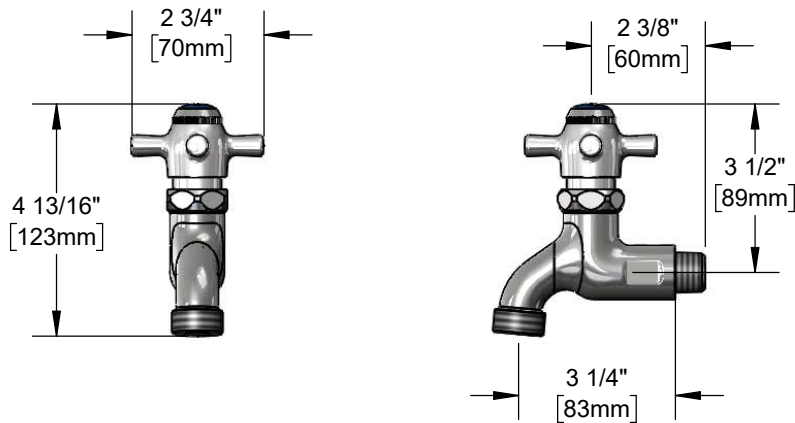
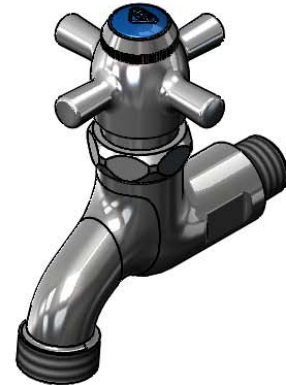




Architect/Engineering Specifications:

Single hole, single temperature, wall mount faucet with polished chrome plated brass body, garden hose male outlet, fast self-closing cartridge, 4-Arm handle and 1/2" NPT male inlet. Certified to ASME A112.18.1/CSA B125.1, NSF 61-Section 9 and NSF 372.

Job Name _____
 Model Specified _____ Quantity _____
 Variations Specified _____
 Date _____



Features & Benefits:

- Single hole, single temperature wall mount faucet w/ polished chrome plated brass body
- Garden hose male outlet
- Fast self-closing cartridge
- 4-Arm handle with color coded index
- 1/2" NPT male inlet
- Material: Polished chrome plated brass body, chrome plated brass handle

Product Compliance:

- ASME A112.18.1 / CSA B125.1
- NSF 61 - Section 9
- NSF 372 (Low Lead Content)



Warranty: One Year (Limited)

Performance Data:

- Pressure: 20 - 125 psi
- Temperature: 40 °F - 140 °F
- Flow Rate: 6.61 GPM @ 60 psi

