



Architect/Engineering Specifications:

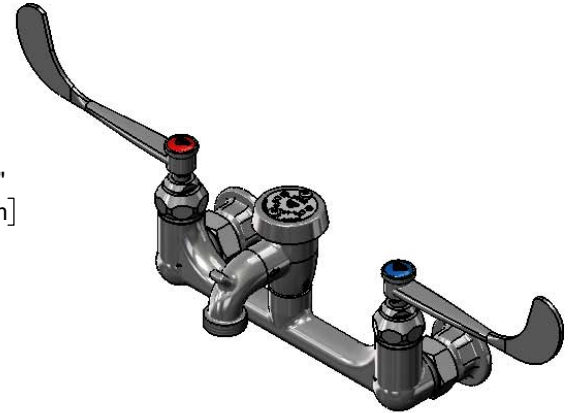
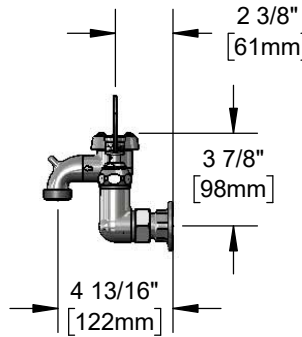
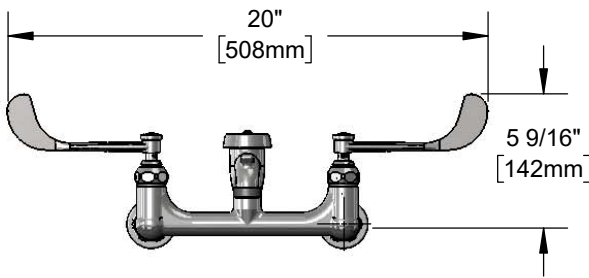
8" wall mount mixing faucet with polished chrome plated brass body, polished chrome plated brass spout with vacuum breaker, pail hook and garden hose male outlet, compression cartridges with spring checks, 6" wrist action handles and 1/2" NPT female inlets. Certified to ASME A112.18.1/CSA B125.1, NSF 61 Section 9, NSF 372 and ASSE 1001. Meets ADA ANSI/ICC A117.1 requirements.

Job Name _____

Model Specified _____ Quantity _____

Variations Specified _____

Date _____



Features & Benefits:

- 8" wall mount mixing faucet with polished chrome plated brass body
- Spout with vacuum breaker, pail hook & 3/4" garden hose male outlet
- 6" chrome plated brass wrist action handles with color coded indexes
- Quarter-turn Eterna compression cartridges with spring checks to prevent cross flow of water
- 1/2" NPT female inlets with Ø 2" flanges
- Material: Polished chrome plated brass body & spout and handles

Product Compliance:

- ASME A112.18.1 / CSA B125.1
- NSF 61 - Section 9
- NSF 372 (Low Lead Content)
- ANSI A117.1 (ADA)
- ASSE 1001 (VB)



Warranty: One Year (Limited)

Performance Data:

- Pressure: 20 - 125 psi
- Temperature: 40 °F - 140 °F
- Flow Rate: 14.98 GPM @ 60 psi



ADA Compliant



Optional Handles

- 4" Wrist Action
- Lever
- 4-Arm

Optional Cartridges With Checks

- Quarter-Turn Cerama w/ Check Valve
- Quarter-Turn Eterna w/ Spring Check (Standard)

