



# T&S BRASS AND BRONZE WORKS, INC.

2 Saddleback Cove / P.O. Box 1088  
Travelers Rest, SC 29690

Model No.

**0RK2**

Item No.

Travelers Rest, SC: 800-476-4103 • Simi Valley, CA: 800-423-0150 • Fax: 864-834-3518 • www.tsbrass.com



ADA Compliant

This Space for Architect/Engineer Approval

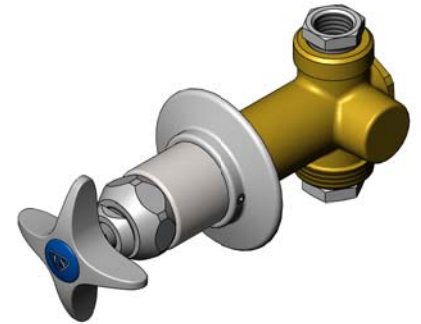
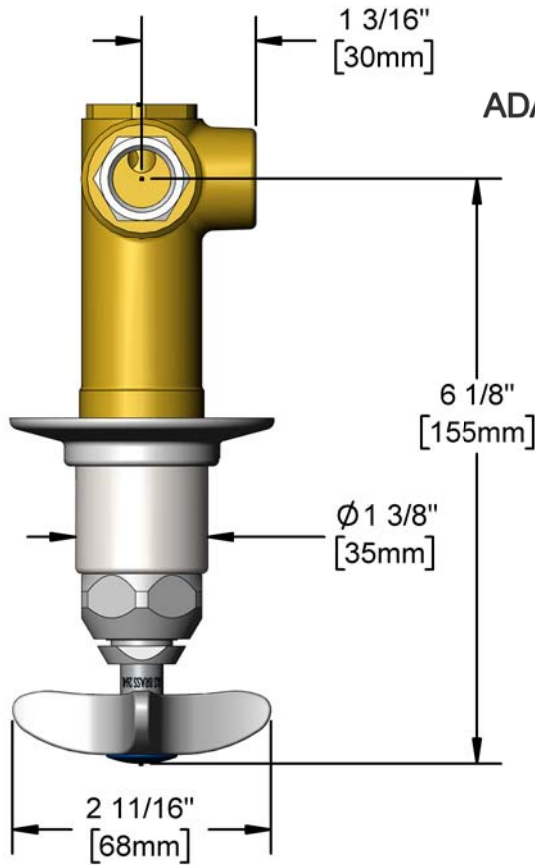
Job Name \_\_\_\_\_ Date \_\_\_\_\_

Model Specified \_\_\_\_\_ Quantity \_\_\_\_\_

Customer/Wholesaler \_\_\_\_\_

Contractor \_\_\_\_\_

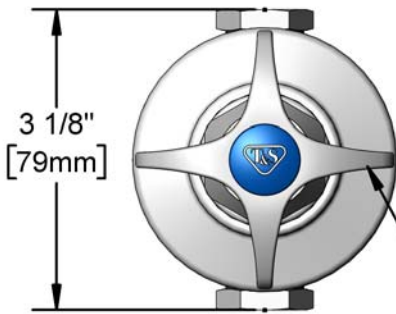
Architect/Engineer \_\_\_\_\_



1/2" NPT Male x 3/8" NPT Female Bushings (2 Included)

Ø 2 3/4" [70mm] Adjustable Flange w/ Set Screw

1/2" NPT Female Outlet



Quarter-Turn Eterna Cartridge w/ Spring Check & 4-Arm Handle w/ Blue (CW) Color Coded Index

2 1/2" [64mm] Minimum

1/2" NPT Female Inlet Threads w/ 1 1/4-14 Thread for T&S Union Coupling Nut

3 1/2" [89mm] Maximum

Rough-In Requirement:  
Ø 1 1/2" [38mm] Mounting Hole

### Product Specifications:

Shutoff / Control Valve with Adjustable Wall Flange, Quarter-Turn Eterna Cartridge w/ Spring Check, 4-Arm Handle w/ Blue (CW) Color Coded Index & 3/8" NPT Inlet & Outlet

### Product Compliance:

ASME A112.18.1 / CSA B125.1  
NSF 61 - Section 9  
NSF 372 (Low Lead Content)  
ANSI A117.1 (ADA)



# T&S BRASS AND BRONZE WORKS, INC.

2 Saddleback Cove / P.O. Box 1088  
Travelers Rest, SC 29690

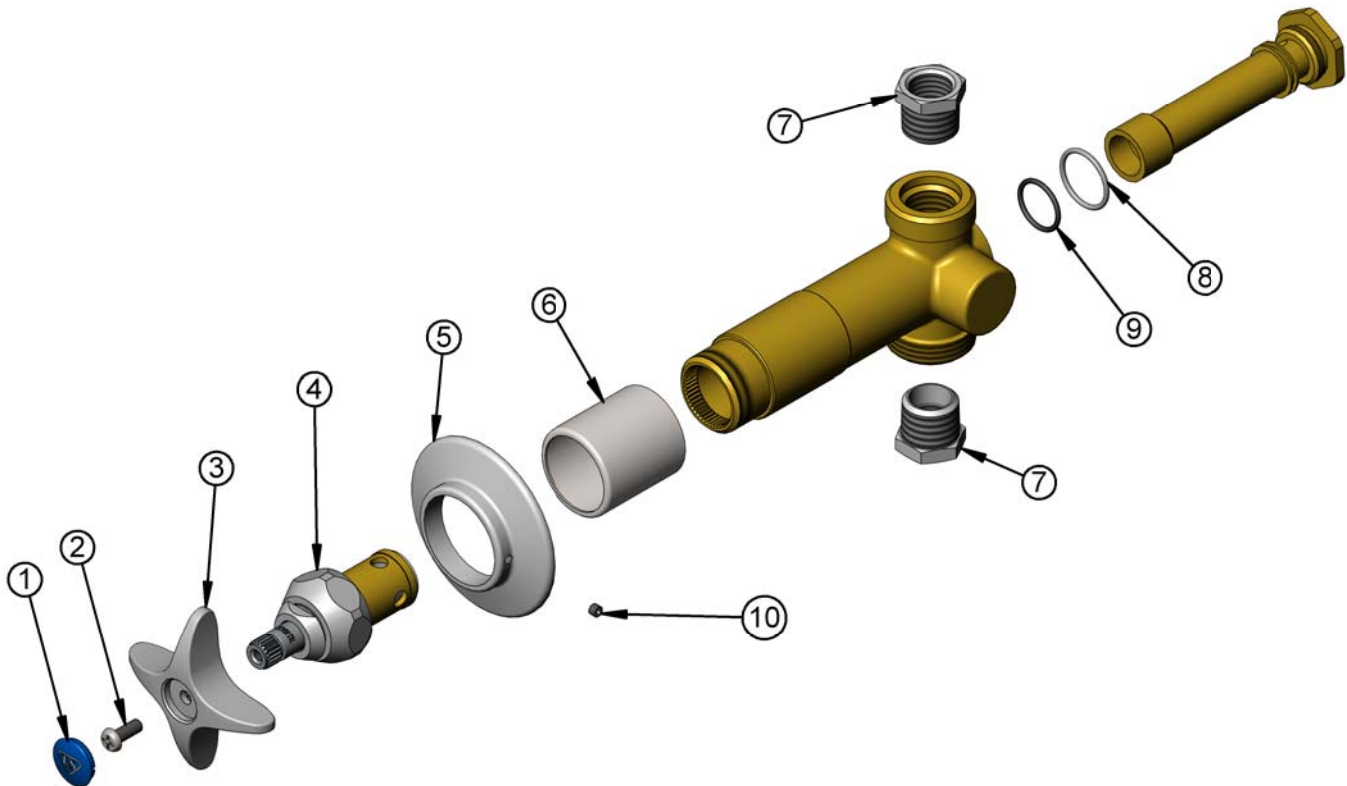
Model No.

**0RK2**

Item No.

Travelers Rest, SC: 800-476-4103 • Simi Valley, CA: 800-423-0150 • Fax: 864-834-3518 • www.tsbrass.com

ITEM NO.	SALES NO.	DESCRIPTION
1	018506-19NS	Blue Button Index, Press-in
2	000925-45	Lab Handle Screw
3	002521-45NS	4-Arm Handle (New Style)
4	012443-40NS	Quarter-Turn Eterna Cartridge w/ Spring Check, RTC
5	001501-40	Escutcheon
6	151F	Escutcheon Tube
7	001359-40	Hex Bushing, 1/2" NPT Male x 3/8" NPT Female
8	001702-45	O-Ring
9	001062-45	O-Ring
10	000939-45	Escutcheon, Set Screw



**Product Specifications:**

Shutoff / Control Valve with Adjustable Wall Flange, Quarter-Turn Eterna Cartridge w/ Spring Check, 4-Arm Handle w/ Blue (CW) Color Coded Index & 3/8" NPT Inlet & Outlet

**Product Compliance:**

ASME A112.18.1 / CSA B125.1  
NSF 61 - Section 9  
NSF 372 (Low Lead Content)  
ANSI A117.1 (ADA)