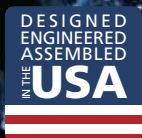
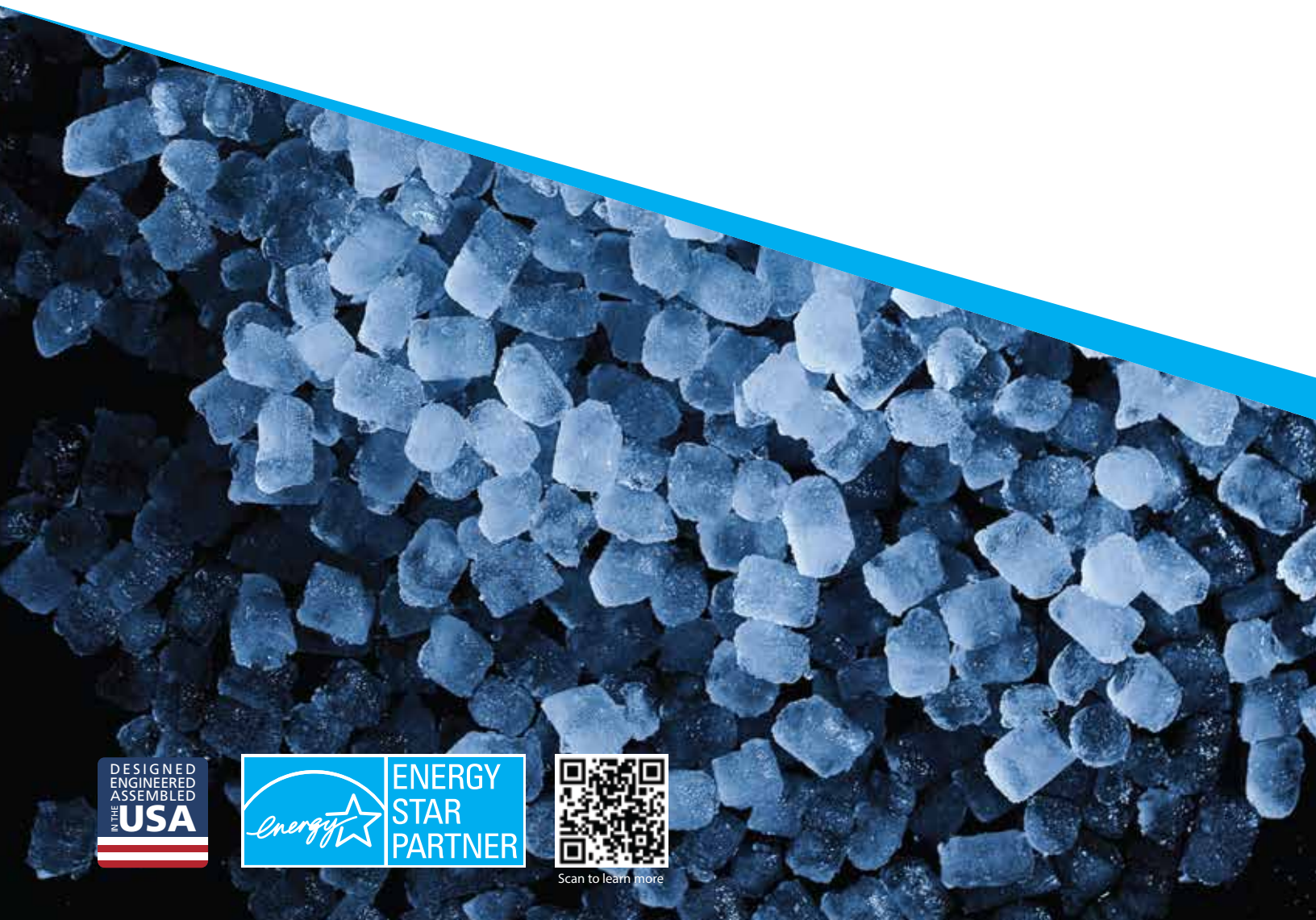


Scotsman[®]

COMMERCIAL PRODUCT GUIDE



Scan to learn more

WHY SCOTSMAN?



Scotsman - Above and Beyond Great Ice Machines

Scotsman is more than just great ice machines. We back up quality products with The Ultimate Ice Experience. This starts with our world-class manufacturing facility in South Carolina, to our high quality and reliable products, and extends to our dedicated support network. From beginning to end, Scotsman's channel partners and customers get the products, service and support they deserve.



Award Winning Manufacturing & Products

When equipment is functioning smoothly, operators have more time and energy to spend on serving customers. That's why Scotsman offers an impressive array of technology that keeps operators informed – well before issues arise.



Designed, Engineered & Assembled In The USA

At Scotsman, our quality story begins inside our award-winning production facility in South Carolina. And with 99% of our equipment U.S.-based, we're proud to keep things close to home.



24/7 Technical Support

Our Technical Service department has a 24 hour emergency line so there is always a Scotsman representative available to help when you need it. We also have an area on our website specifically dedicated to technical information.



Certified Product Performance

So you don't have to just take our word for it, AHRI provides Scotsman with certifications for almost every single one of our ice machines and bins. Scotsman is ISO 9001:2015 certified with 100% of our units being quality checked before leaving the plant.



Focus on Energy & Savings

Offering several ENERGY STAR® certified models, Scotsman ice machines incorporate a superior design that reduces energy and water consumption, making a difference for the environment and the bottom line. Look for the ✓ symbol throughout the price book to find our qualified products.



Innovative Sales Tools & Trainings

Scotsman has created several tools to help our partners and customers learn more about our brand and products. These tools include the Resource Center, Sales App, Ice Machine Sizing and Selector Tool, Comparison Tool and more.



Sales & Marketing Tools



iPad App

What is it?

An Apple Enterprise iPad App with true on-the-go access to presentations, images and videos, marketing literature and interactive tools

How do I access it?

- Type the below link into your web browser <http://salesapp.scotsman-ice.com/ipad-app/>
- Scan the QR code for instant access
- Visit the Sales App Microsite and click the "Download iPad App" button in the top left corner

Functionality

- Only available for Apple iPads
- Formatted for offline use as a true, on-the-go resource



Scan to access



Microsite

What is it?

A web-based microsite with access to presentations, images and videos, marketing literature and interactive tools

How do I access it?

- Type the below link into your web browser <http://salesapp.scotsman-ice.com>
- Scan the QR code for instant access
- Visit the Scotsman website homepage. Click "Resource Center" from the top tool-bar. Then scroll to the Sales Tools section and click "Sales App"

Functionality

- Available on all devices - Computers, tablets & cell phones
- Requires internet connection



Scan to access



Resource Center

What is it?

The Scotsman Resource Center replaces our Library web page and is the ultimate destination for getting Scotsman marketing tools and information.

How do I access it?

- Type the below link into your web browser <http://portal.scotsman-ice.com>
- Scan the QR code for instant access
- From our website home page, click the Resource Center tab

Functionality

- Available on all devices - Computers, tablets & cell phones
- Requires internet connection



Scan to access



Comparison Tool

What is it?

This tool can be used to find the closest machine for a complete comparison of specifications and operating costs.

How do I access it?

- Type the below link into your web browser <https://portal.scotsman-ice.com/ComparisonTool/>
- Scan the QR code for instant access
- From our Resource Center, visit the Sales Tools section, and click on Comparison Tool link

Functionality

- Available on all devices - Computers, tablets & cell phones
- Requires internet connection



Scan to access

Prodigy ELITE® Eclipse® Ice Machines



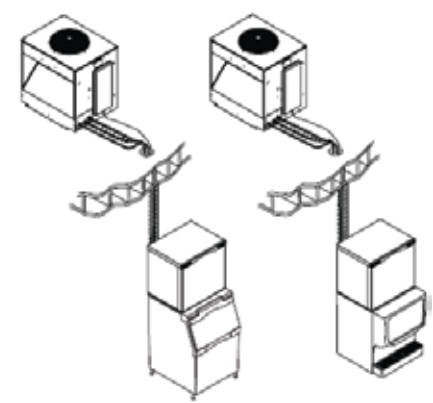
MODULAR REMOTE



Cube Size	Model Number	Use With Condensing Unit	24 hr Ice Production		Shipping Weight lb/kg	Volts/Hz/Phase	
			70°F/21°C 50°F/10°C lb/kg	Air Water		90°F/32°C 70°F/21°C lb/kg	115/60/1 -1
Sm.	Ice Maker MC222SL	ECC0800	850/386		700/318	319/145	•
		ECC1410	1030/468		827/375	332/151	•
Sm.	Ice Maker MC330SL	ECC1200	1411/641		1103/500	310/141	•
Sm. / Med.	Ice Maker MC430SL / ML	ECC1410	1425/648		1200/545	332/151	•
		ECC1800	1775/807		1600/727	350/159	•

Features

- Energy efficient components save money on utility costs.
- Better corrosion resistance increases life of unit.
- One piece design makes installation and service easier.
- Maximizes air conditioning load.
- Allows for quiet operation in dining and working environments.
- Able to operate in wide outdoor temperature range from -20° F to 120° F.



Prodigy Plus® Eclipse® Condensing Unit

Unit Dimensions (W x D x H)	Model Number	Description	Shipping Weight lb/kg	Volts/Hz/Phase		
				208-230/60/1 -32	208-230/60/3 -3	230/50/1 -6
 27" x 32.06" x 39.75" 68.58 x 81.4 x 100.9 cm	Remote Condensers					
	ECC0800	Remote condensing unit Eclipse 800 lb/364 kg systems	319/145		•	
	ECC1200	Remote condensing unit Eclipse 1400 lb/636 kg systems	310/141	•		
	ECC1410	Remote condensing unit Eclipse 1000-1400 lb /455-636 kg systems	332/151	•	•	
	ECC1800	Remote condensing unit Eclipse 1800 lb/818 kg systems	350/159		•	

✓ = Energy Star certified. ● = CE Approved.

Combine model number and electrical indicator when ordering for exact SKU, i.e. MC0322MA-1. See page 27 for storage bins. Please call for pricing on other international configurations.

Scotsman®



• 101 Corporate Woods Parkway, Vernon Hills, IL 60061 • 1-800-SCOTSMAN • Fax: 847-913-9844 • www.scotsman-ice.com • orders@scotsman-ice.com • © 2024 Scotsman Ice Systems. SIS-BR-CPG_0124

an Ali Group Company



The Spirit of Excellence



Scan to View
Current Pricing

