



IMPORTANT NOTE:

Locate the Specification Label on unit to determine exact Model Name and electrical specifications. This information is needed to identify the correct replacement parts. See exploded view illustration(s) for Specification Label location.



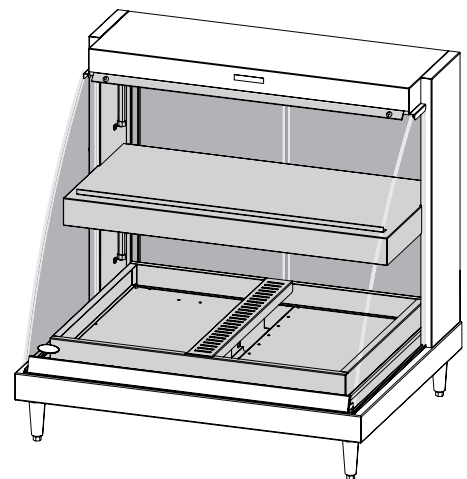
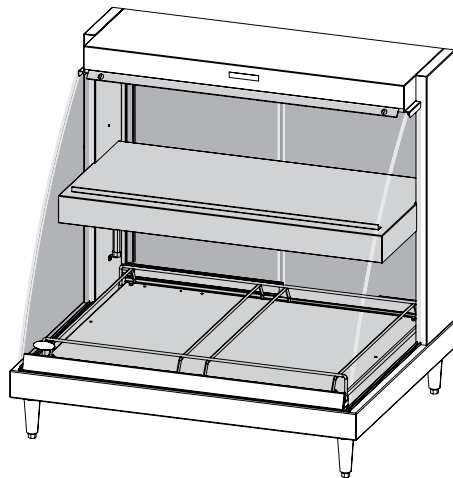
Use of replacement parts other than those supplied by Hatco Corporation will void all warranties and may result in damage to the unit or injury to personnel.

Glo-Ray®

Designer Heated Display Cases

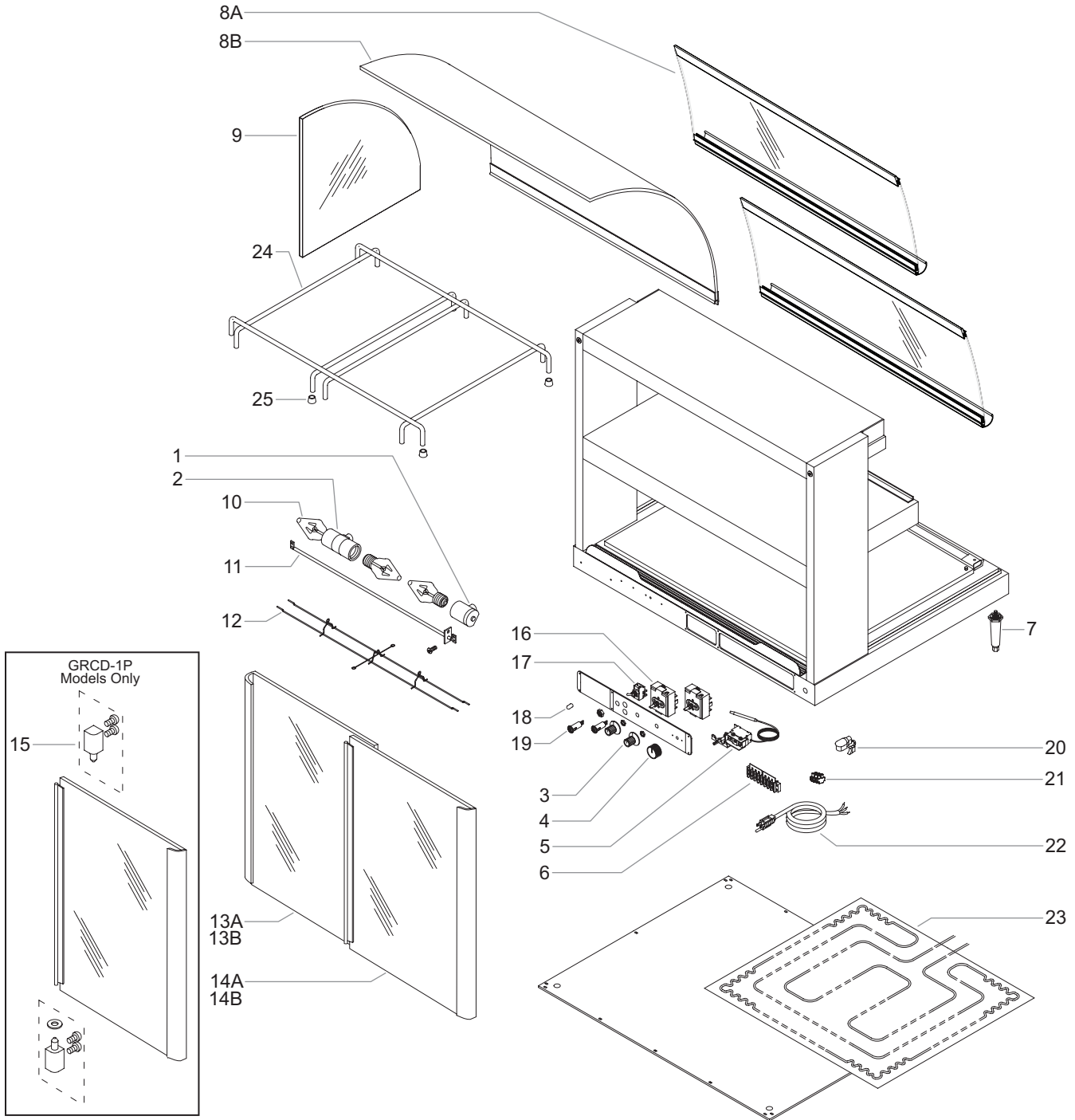
GRCD and GRCDH Series

<u>Model Name</u>	<u>Page</u>
GRCD Series.....	2-8
GRCDH Series	9-15



Replacement Parts List

Hatco® Glo-Ray® Designer Heated Display Cases GRCD Series



Item	Description	Part Number	Qty.
1	Light Socket, Single	02.30.044.00	0-2
2	Light Socket, Dual	02.30.045.00	1-2
3	Knob, Infinite Switch	05.30.043.00	1-3
4	Knob, Thermostat	05.30.018.00	1

Item	Description	Part Number	Qty.
5	Thermostat, Base	02.16.030.00	1
6	Terminal Block, 8-Pole	02.15.012.00	1
7	Legs	05.30.007.00	4

Parts Specific to Model GRCD-1P

Item	Description	Part Number	Qty.
8A	Curved Glass, Flip-Up Door	---	
8B	Curved Glass, Front	R04.40.127.00	1
9	End Glass	04.40.105.00	2
10	Light Bulb		
	120 V	02.30.043.00	2
	220, 240, 220/230, 230/240 V	02.30.058.00	2
11	Heating Element, Upper		
	120 V	R02.08.258D.00	1
	220, 220/230 V	R02.08.038.00	1
	240, 230/240 V	R02.08.261E.00	1
12	Wire Guard	04.37.100.00	1
13A	Glass Door	R04.40.129.00	1
13B	Glass Door, Mirrored	R04.40.138.00	1
14A	Glass Door	---	
14B	Glass Door	---	
15	Hinge Kit	R00.01.0115.00	1
16	Infinite Control Switch		
	120 V	R02.19.018.00	1
	220, 240, 220/230, 230/240 V	R02.19.019.00	1
17	On/Off Switch	R02.19.008A.00	1
18	Rubber Boot, Toggle Switch	02.20.040.00	1
19	Indicator Light		
	Red		
	120 V	02.19.154.00	1
	220, 240 V	02.19.151.00	1
	Green		
	220/230, 230/240 V	02.19.150.00	1

Item	Description	Part Number	Qty.
20	Strain Relief		
	120 V	02.20.206.00	1
	220, 240, 220/230, 230/240 V	02.20.212.00	1
21	Terminal Block, 3-Pole	R02.15.030.00	1
22	Power Cord w/ Plug		
	120 V	R02.18.030.00	1
	220, 220/230 V	02.18.077.00	1
	240, 230/240 V	02.18.066.00	1
23	Heating Element, Base		
	120 V	02.05.293.00	1
	220, 240, 220/230, 230/240 V	02.05.294.00	1
24	Pan Rail	04.22.364.00	1
25	Rubber Foot, Pan Rail	05.06.039.00	8
26	Pan Divider (optional) *	04.22.400.00	1
27	Pan Enclosure (optional)		
	1 Pan *	04.22.357.00	1
	2 Pan	---	
	Wiring Diagram		
	120 V	HS2-4741	
	220 V	HS2-4742	
	240 V	HS2-4743	
	220/230 V	HS2-5149	
	230/240 V	HS2-5150	

* Not shown.

The shaded areas contain part information for **International models only**.

Parts Specific to Model GRCD-1PD

Item	Description	Part Number	Qty.
8A	Curved Glass, Flip-Up Door †	R00.01.0350.xx	2
8B	Curved Glass, Front	R04.40.128.00	1
9	End Glass	04.40.091.00	2
10	Light Bulb		
	120 V	02.30.043.00	4
	220, 240, 220/230, 230/240 V	02.30.058.00	4
11	Heating Element, Upper	R02.08.258.00	3
	120 V	R02.08.258D.00	1
	220, 220/230 V	R02.08.038.00	1
	240, 230/240 V	R02.08.261E.00	1
12	Wire Guard	04.37.100.00	2
13A	Glass Door	R04.40.130.00	1
13B	Glass Door, Mirrored	R04.40.139.00	1
14A	Glass Door	---	
14B	Glass Door	---	
15	Hinge Kit	R00.01.0115.00	1
16	Infinite Control Switch	R02.19.018.00	1
17	On/Off Switch	R02.19.008A.00	1
18	Rubber Boot, Toggle Switch	02.20.040.00	1
19	Indicator Light, Red		
	Red		
	120 V	02.19.154.00	2
	220, 240 V	02.19.151.00	2
	Green		
	220/230, 230/240 V	02.19.150.00	2

Item	Description	Part Number	Qty.
20	Strain Relief		
	120 V	02.20.206.00	1
	220, 240, 220/230, 230/240 V	02.20.212.00	1
21	Terminal Block, 3-Pole	R02.15.030.00	1
22	Power Cord w/ Plug		
	120 V	R02.18.030.00	1
	220, 220/230 V	02.18.077.00	1
	240, 230/240 V	02.18.066.00	1
23	Heating Element, Base		
	120 V	02.05.293.00	1
	220, 240, 220/230, 230/240 V	02.05.294.00	1
24	Pan Rail	04.22.364.00	1
25	Rubber Foot, Pan Rail	05.06.039.00	8
26	Pan Divider (optional) *	04.22.400.00	1
27	Pan Enclosure (optional)		
	1 Pan *	04.22.357.00	1
	2 Pan	---	
	Wiring Diagram		
	120 V	HS2-4748	
	220 V	HS2-4749	
	240 V	HS2-4750	
	220/230 V	HS2-5153	
	230/240 V	HS2-5154	

† Use one of the following suffixes for the appropriate painted part:

“.01” = Black “.07” = Hunter Green
“.03” = Warm Red “.12” = Glossy Gray
“.04” = White Granite “.21” = Antique Copper
“.05” = Navy Blue

* Not shown.

The shaded areas contain part information for **International models only**.

NOTE: Quantities shown as a range (example = “1–3”) are dependent upon the number of shelves and/or if the unit is humidified.

NOTE: The last four digits in a ten digit numerical serial number are the manufacturing date code.

Example: Serial number 9625062231 has a date code of “2231” which indicates the following: 2231

└─ Week Thirty-One
└─ Year 2022

Please note also, prior to January 2001 the serial number date code indicated the month of manufacture.

Example: XXXXXX0007

└─ Month Seven
└─ Year 2000

Parts Specific to Model GRCD-2P

Item	Description	Part Number	Qty.
8A	Curved Glass, Flip-Up Door	---	
8B	Curved Glass, Front	04.40.106.00	1
9	End Glass	04.40.105.00	2
10	Light Bulb		
	120 V	02.30.043.00	3
	220, 240, 220/230, 230/240 V	02.30.058.00	3
11	Heating Element, Upper		
	120 V	R02.08.202D.00	1
	220, 220/230 V	R02.08.250E.00	1
	240, 230/240 V	R02.08.251E.00	1
12	Wire Guard	04.37.100.00	1
13A	Glass Door (Left Side)	R00.01.0026.00	1
13B	Glass Door, Mirrored (Left Side)	R00.01.0034.00	1
14A	Glass Door (Right Side)	R00.01.0025.00	
14B	Glass Door, Mirrored (Right Side)	R00.01.0023.00	
15	Hinge Kit	---	
16	Infinite Control Switch		
	120 V	R02.19.018.00	1
	220, 240, 220/230, 230/240 V	R02.19.019.00	1
17	On/Off Switch		
	120 V	R02.19.008A.00	1
	220, 240 V	R02.19.006.00	1
	220/230, 230/240 V	R02.19.008A.00	1
18	Rubber Boot, Toggle Switch	02.20.040.00	1
19	Indicator Light, Red		
	Red		
	120 V	02.19.154.00	1
	220, 240 V	02.19.151.00	1
	Green		
	220/230, 230/240 V	02.19.150.00	1

Item	Description	Part Number	Qty.
20	Strain Relief		
	120 V	02.20.206.00	1
	220, 240, 220/230, 230/240 V	02.20.212.00	1
21	Terminal Block, 3-Pole	R02.15.030.00	1
22	Power Cord w/ Plug		
	120 V	R02.18.030.00	1
	220, 220/230 V	02.18.077.00	1
	240, 230/240 V	02.18.066.00	1
23	Heating Element, Base		
	120 V	02.05.293.00	2
	220, 240, 220/230, 230/240 V	02.05.294.00	2
24	Pan Rail	04.22.030.00	1
25	Rubber Foot, Pan Rail	05.06.039.00	8
26	Pan Divider (optional) *	04.22.400.00	1
27	Pan Enclosure (optional)		
	1 Pan *	04.22.406.00	1
	2 Pan	---	
	Wiring Diagram		
	120 V	HS2-3538	
	220 V	HS2-3542	
	240 V	HS2-3542	
	220/230 V	HS2-4159	
	230/240 V	HS2-4160	

* Not shown.

The shaded areas contain part information for **International models only**.

Parts Specific to Model GRCD-2PD

Item	Description	Part Number	Qty.
8A	Curved Glass, Flip-Up Door †	R00.01.0351.xx	2
8B	Curved Glass, Front	R04.40.095.00	1
9	End Glass	04.40.091.00	2
10	Light Bulb		
	120 V	02.30.043.00	6
	220, 240, 220/230, 230/240 V	02.30.058.00	6
11	Heating Element, Upper		
	120 V	R02.08.222D.00	3
	220, 240, 220/230 V	R02.08.232E.00	3
	230/240 V	R02.08.265E.00	3
12	Wire Guard	04.37.100.00	6
13A	Glass Door (Left Side)	R00.01.0030.00	1
13B	Glass Door, Mirrored (Left Side)	R00.01.0038.00	1
14A	Glass Door (Right Side)	R00.01.0029.00	1
14B	Glass Door, Mirrored (Right Side)	R00.01.0037.00	1
15	Hinge Kit	---	
16	Infinite Control Switch		
	120 V	R02.19.018.00	2
	220, 240, 220/230, 230/240 V	R02.19.019.00	2
17	On/Off Switch		
	120 V	R02.19.008A.00	1
	220, 240, 220/230, 230/240 V	R02.19.006.00	1
18	Rubber Boot, Toggle Switch	02.20.040.00	1
19	Indicator Light, Red		
	Red		
	120 V	02.19.154.00	2
	220, 240 V	02.19.151.00	2
	Green		
	220/230, 230/240 V	02.19.150.00	2

Item	Description	Part Number	Qty.
20	Strain Relief		
	120 V	02.20.206.00	1
	220, 240, 220/230, 230/240 V	02.20.212.00	1
21	Terminal Block, 3-Pole	R02.15.030.00	1
22	Power Cord w/ Plug		
	120 V	R02.18.030.00	1
	220, 220/230 V	02.18.077.00	1
	240, 230/240 V	02.18.066.00	1
23	Heating Element, Base		
	120 V	02.05.293.00	2
	220, 240, 220/230, 230/240 V	02.05.294.00	2
24	Pan Rail	04.22.030.00	1
25	Rubber Foot, Pan Rail	05.06.039.00	12
26	Pan Divider (optional) *	04.22.400.00	1
27	Pan Enclosure (optional)		
	1 Pan *	---	
	2 Pan	04.22.406.00	1
	Wiring Diagram		
	120 V	HS2-3314	
	220 V	HS2-3420	
	240 V	HS2-3422	
	220/230 V	HS2-4167	
	230/240 V	HS2-4170	

† Use one of the following suffixes for the appropriate painted part:

“.01” = Black	“.07” = Hunter Green
“.03” = Warm Red	“.12” = Glossy Gray
“.04” = White Granite	“.21” = Antique Copper
“.05” = Navy Blue	

* Not shown.

The shaded areas contain part information for **International models only**.

Parts Specific to Model GRCD-3P

Item	Description	Part Number	Qty.
8A	Curved Glass, Flip-Up Door	---	
8B	Curved Glass, Front	04.40.107.00	1
9	End Glass	04.40.105.00	2
10	Light Bulb		
	120 V	02.30.043.00	3
	220, 240, 220/230, 230/240 V	02.30.058.00	3
11	Heating Element, Upper		
	120 V	R02.08.216D.00	1
	220, 220/230 V	R02.08.253.00	1
	240, 230/240 V	R02.08.254E.00	1
12	Wire Guard	04.37.100.00	3
13A	Glass Door (Left Side)	R00.01.0028.00	1
13B	Glass Door, Mirrored (Left Side)	R00.01.0036.00	1
14A	Glass Door (Right Side)	R00.01.0027.00	1
14B	Glass Door, Mirrored (Right Side)	R00.01.0035.00	1
15	Hinge Kit	---	
16	Infinite Control Switch		
	120 V	R02.19.018.00	1
	220, 240, 220/230, 230/240 V	R02.19.019.00	1
17	On/Off Switch		
	120 V	R02.19.008A.00	1
	220, 240 V	R02.19.006.00	
	220/230, 230/240 V	R02.19.008A.00	1
18	Rubber Boot, Toggle Switch	02.20.040.00	1
19	Indicator Light, Red		
	Red		
	120 V	02.19.154.00	1
	220, 240 V	02.19.151.00	1
	Green		
	220/230, 230/240 V	02.19.150.00	1

Item	Description	Part Number	Qty.
20	Strain Relief		
	120 V	02.20.206.00	1
	220, 240, 220/230, 230/240 V	02.20.212.00	1
21	Terminal Block, 3-Pole	R02.15.030.00	1
22	Power Cord w/ Plug		
	120 V	R02.18.030.00	1
	220, 220/230 V	02.18.077.00	1
	240, 230/240 V	02.18.066.00	1
23	Heating Element, Base		
	120 V	02.05.293.00	3
	220, 240, 220/230, 230/240 V	02.05.294.00	3
24	Pan Rail	04.22.031.00	1
25	Rubber Foot, Pan Rail	05.06.039.00	16
26	Pan Divider (optional) *	04.22.400.00	1
27	Pan Enclosure (optional)		
	1 Pan *	04.22.407.00	1
	2 Pan	04.22.406.00	1
	Wiring Diagram		
	120 V	HS2-3539	
	220 V	HS2-3541	
	240 V	HS2-3543	
	220/230 V	HS2-4161	
	230/240 V	HS2-4162	

* Not shown.

The shaded areas contain part information for **International models only**.

Parts Specific to Model GRCD-3PD

Item	Description	Part Number	Qty.
8A	Curved Glass, Flip-Up Door †	R00.01.0352.xx	2
8B	Curved Glass, Front	R04.40.096.00	1
9	End Glass	04.40.091.00	1
10	Light Bulb		
	120 V	02.30.043.00	6
	220, 240, 220/230, 230/240 V	02.30.058.00	6
11	Heating Element, Upper		
	120 V	R02.08.217D.00	3
	220, 240, 220/230, 230/240 V	R02.08.265E.00	3
12	Wire Guard	04.37.100.00	9
13A	Glass Door (Left Side)	R00.01.0032.00	1
13B	Glass Door, Mirrored (Left Side)	R00.01.0039.00	1
14A	Glass Door (Right Side)	R00.01.0031.00	1
14B	Glass Door, Mirrored (Right Side)	R00.01.0040.00	1
15	Hinge Kit	---	
16	Infinite Control Switch		
	120 V	R02.19.018.00	2
	220, 240, 220/230, 230/240 V	R02.19.019.00	2
17	On/Off Switch		
	120 V	R02.19.008A.00	1
	220, 240, 220/230, 230/240 V	R02.19.006.00	1
18	Rubber Boot, Toggle Switch	02.20.040.00	1
19	Indicator Light		
	Red		
	120 V	02.19.154.00	2
	220, 240 V	02.19.151.00	2
	Green		
	220/230, 230/240 V	02.19.150.00	2

Item	Description	Part Number	Qty.
20	Strain Relief		
	120 V	02.20.206.00	1
	220, 240, 220/230, 230/240 V	02.20.212.00	1
21	Terminal Block, 3-Pole	R02.15.030.00	1
22	Power Cord w/ Plug		
	120 V	R02.18.030.00	1
	220, 220/230 V	02.18.077.00	1
	240, 230/240 V	02.18.066.00	1
23	Heating Element, Base		
	120 V	02.05.293.00	2
	220, 240, 220/230, 230/240 V	02.05.294.00	2
24	Pan Rail	04.22.031.00	1
25	Rubber Foot, Pan Rail	05.06.039.00	16
26	Pan Divider (optional) *	04.22.400.00	1
27	Pan Enclosure (optional)		
	1 Pan *	04.22.407.00	1
	2 Pan	04.22.406.00	1
	Wiring Diagram		
	120 V	HS2-3312	
	220 V	HS2-3423	
	240 V	HS2-3425	
	220/230 V	HS2-4169	
	230/240 V	HS2-4170	

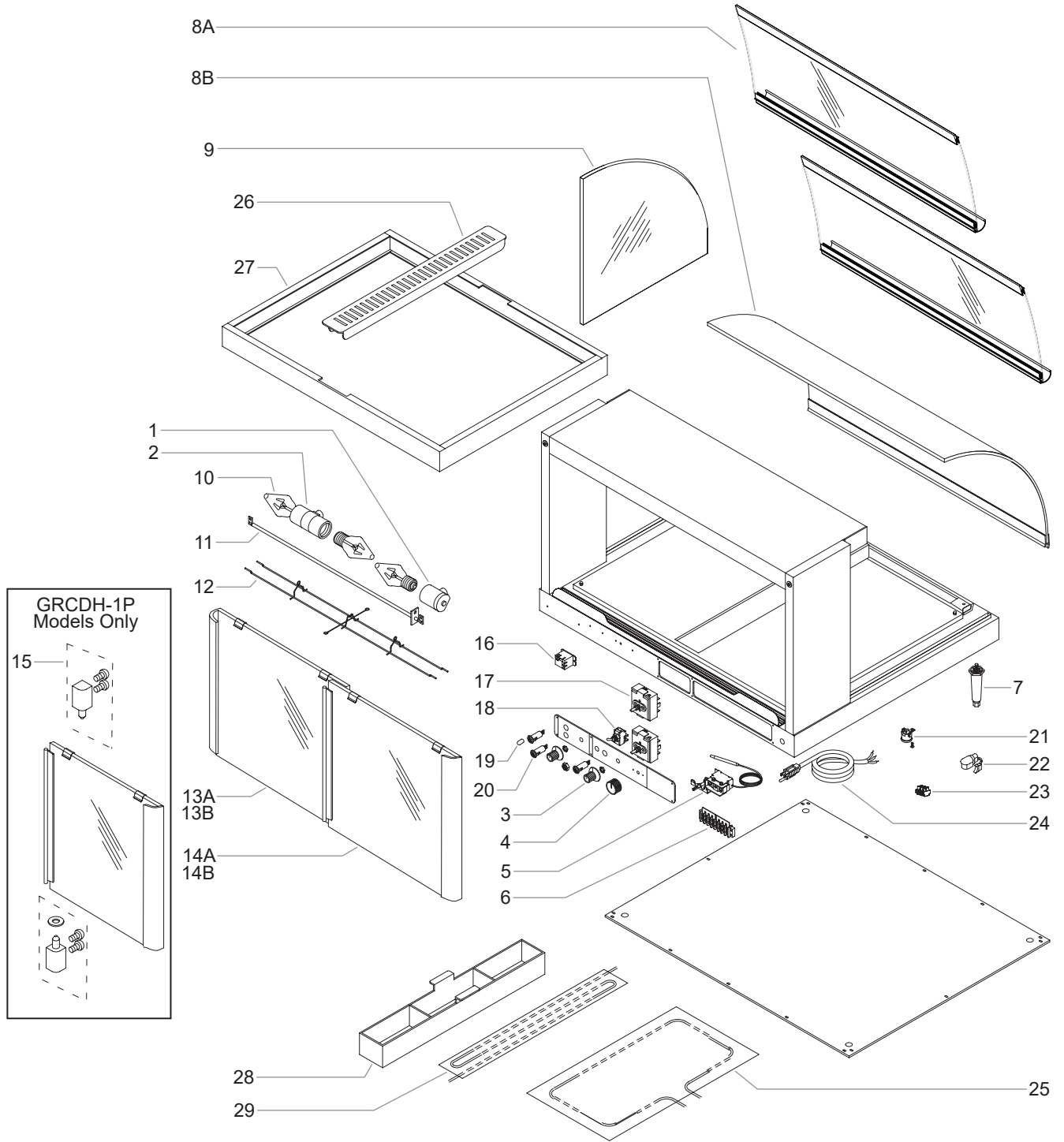
† Use one of the following suffixes for the appropriate painted part:

“.01” = Black “.07” = Hunter Green
“.03” = Warm Red “.12” = Glossy Gray
“.04” = White Granite “.21” = Antique Copper
“.05” = Navy Blue

* Not shown.

The shaded areas contain part information for **International models only**.

Hatco® Glo-Ray® Designer Heated Display Cases with Humidity GRCDH Series



Item	Description	Part Number	Qty.
1	Light Socket, Single	02.30.044.00	0-2
2	Light Socket, Dual	02.30.045.00	1-2
3	Knob, Infinite Switch	05.30.043.00	1-3
4	Knob, Thermostat	05.30.018.00	1

Item	Description	Part Number	Qty.
5	Thermostat, Base	02.16.030.00	1
6	Terminal Block, 8-Pole	02.15.012.00	1
7	Legs	05.30.007.00	4

Parts Specific to Model GRCDH-1P

Item	Description	Part Number	Qty.
8A	Curved Glass, Flip-Up Door	---	
8B	Curved Glass, Front	R04.40.127.00	1
9	End Glass	04.40.105.00	2
10	Light Bulb		
	120 V	02.30.043.00	1
	220, 240, 220/230, 230/240 V	02.30.058.00	1
11	Heating Element, Upper		
	120 V	R02.08.258D.00	1
	220, 220/230 V	R02.08.038.00	1
	240, 230/240 V	R02.08.261E.00	1
12	Wire Guard	04.37.100.00	1
13A	Glass Door	R04.40.129.00	1
13B	Glass Door, Mirrored	R04.40.138.00	1
14A	Glass Door	---	
14B	Glass Door	---	
15	Hinge Kit	R00.01.0115.00	1
16	Relay		
	120 V	02.01.088.00	1
	220, 220/230 V	02.01.180.00	1
	240, 230/240 V	02.01.105.00	1
17	Infinite Control Switch		
	120 V	R02.19.018.00	2
	220, 240, 220/230, 230/240 V	R02.19.019.00	2
18	On/Off Switch	R02.19.008A.00	1
19	Rubber Boot, Toggle Switch	02.20.040.00	1
20	Indicator Light		
	Red		
	120 V	02.19.154.00	2
	220, 240 V	02.19.151.00	2
	Green		
	120 V	02.19.155.00	1
	220, 240 V	02.19.150.00	1
	220/230, 230/240 V	02.19.150.00	2
	Yellow		
	220/230, 230/240 V	02.19.152.00	1

Item	Description	Part Number	Qty.
21	High Limit, Automatic	R02.16.036.00	1
	High Limit, Manual *	02.16.071.00	1
22	Strain Relief		
	120 V	02.20.206.00	1
	220, 240, 220/230, 230/240 V	02.20.212.00	1
23	Terminal Block, 3-Pole	R02.15.030.00	1
24	Power Cord w/ Plug		
	120 V	R02.18.030.00	1
	220, 220/230 V	02.18.077.00	1
	240, 230/240 V	02.18.066.00	1
25	Heating Element, Base		
	120 V	02.05.293.00	1
	220, 240, 220/230, 230/240 V	02.05.294.00	1
26	Pan Divider (optional)	04.22.400.00	1
27	Pan Enclosure (optional)		
	1 Pan *	04.22.357.00	1
	2 Pan	---	
28	Water Trough	04.22.403.00	1
29	Heating Element, Water		
	120 V	02.05.295.00	1
	220, 240, 220/230, 230/240 V	02.05.296.00	1
	Wiring Diagram		
	120 V	HS2-4744	
	220 V	HS2-4745	
	240 V	HS2-4746	
	220/230 V	HS2-5151	
	230/240 V	HS2-5152	

* Not shown.

The shaded areas contain part information for **International models only**.

Parts Specific to Model GRCDH-1PD

Item	Description	Part Number	Qty.
8A	Curved Glass, Flip-Up Door †	R00.01.0350.xx	2
8B	Curved Glass, Front	R04.40.128.00	1
9	End Glass	04.40.091.00	2
10	Light Bulb		
	120 V	02.30.043.00	3
	220, 240, 220/230, 230/240 V	02.30.058.00	3
11	Heating Element, Upper		
	120 V	R02.08.258D.00	3
	220, 220/230 V	R02.08.038.00	3
	240, 230/240 V	R02.08.261E.00	3
12	Wire Guard	04.37.100.00	2
13A	Glass Door	R04.40.130.00	1
13B	Glass Door, Mirrored	R04.40.139.00	1
14A	Glass Door	---	
14B	Glass Door	---	
15	Hinge Kit	R00.01.0115.00	1
16	Relay		
	120 V	02.01.088.00	1
	220, 220/230 V	02.01.180.00	1
	240, 230/240 V	02.01.105.00	1
17	Infinite Control Switch		
	120 V	R02.19.018.00	2
	220, 240, 220/230, 230/240 V	R02.19.019.00	2
18	On/Off Switch	R02.19.008A.00	1
19	Rubber Boot, Toggle Switch	02.20.040.00	1
20	Indicator Light		
	Red		
	120 V	02.19.154.00	3
	220, 240 V	02.19.151.00	3
	Green		
	120 V	02.19.155.00	1
	220, 240 V	02.19.150.00	1
	220/230, 230/240 V	02.19.150.00	3
	Yellow		
	220/230, 230/240 V	02.19.152.00	1

Item	Description	Part Number	Qty.
21	High Limit, Automatic	R02.16.036.00	1
	High Limit, Manual *	02.16.071.00	1
22	Strain Relief		
	120 V	02.20.206.00	1
	220, 240, 220/230, 230/240 V	02.20.212.00	1
23	Terminal Block, 3-Pole	R02.15.030.00	1
24	Power Cord w/ Plug		
	120 V	R02.18.030.00	1
	220, 220/230 V	02.18.077.00	1
	240, 230/240 V	02.18.066.00	1
25	Heating Element, Base		
	120 V	02.05.293.00	1
	220, 240, 220/230, 230/240 V	02.05.294.00	1
26	Pan Divider (optional)	04.22.400.00	1
27	Pan Enclosure (optional)		
	1 Pan *	04.22.357.00	1
	2 Pan	---	
28	Water Trough	04.22.403.00	1
29	Heating Element, Water		
	120 V	02.05.295.00	1
	220, 240, 220/230, 230/240 V	02.05.296.00	1
	Wiring Diagram		
	120 V	HS2-4751	
	220 V	HS2-4752	
	240 V	HS2-5153	
	220/230 V	HS2-5155	
	230/240 V	HS2-5156	

† Use one of the following suffixes for the appropriate painted part:

“.01” = Black	“.07” = Hunter Green
“.03” = Warm Red	“.12” = Glossy Gray
“.04” = White Granite	“.21” = Antique Copper
“.05” = Navy Blue	

* Not shown.

The shaded areas contain part information for **International models only**.

Parts Specific to Model GRCDH-2P

Item	Description	Part Number	Qty.
8A	Curved Glass, Flip-Up Door	---	
8B	Curved Glass, Front	R04.40.106.00	1
9	End Glass	04.40.105.00	2
10	Light Bulb		
	100, 120 V	02.30.043.00	3
	220, 240, 220/230, 230/240 V	02.30.058.00	3
11	Heating Element, Upper		
	100 V	R02.08.560E.00	1
	120 V	R02.08.202D.00	1
	220, 220/230 V	R02.08.250E.00	1
	240, 230/240 V	R02.08.251E.00	1
12	Wire Guard	04.37.100.00	2
13A	Glass Door (Left Side)	R00.01.0026.00	1
13B	Glass Door, Mirrored (Left Side)	R00.01.0034.00	1
14A	Glass Door (Right Side)	R00.01.0025.00	1
14B	Glass Door, Mirrored (Right Side)	R00.01.0033.00	1
15	Hinge Kit	---	
16	Relay		
	100, 120 V	02.01.088.00	1
	220, 220/230 V	02.01.080.00	1
	240, 230/240 V	02.01.105.00	1
17	Infinite Control Switch		
	100 V	R02.19.160.00	2
	120 V	R02.19.018.00	2
	220, 240, 220/230, 230/240 V	R02.19.019.00	2
18	On/Off Switch	R02.19.008A.00	1
19	Rubber Boot, Toggle Switch	02.20.040.00	1
20	Indicator Light, Red		
	Red		
	100, 120 V	02.19.154.00	2
	220, 240 V	02.19.151.00	2
	Green		
	100, 120 V	02.19.155.00	1
	220, 240 V	02.19.150.00	1
	220/230, 230/240 V	02.19.150.00	2
	Yellow		
	220/230, 230/240 V	02.19.152.00	1

Item	Description	Part Number	Qty.
21	High Limit, Automatic	R02.16.036.00	1
	High Limit, Manual *	02.16.071.00	1
22	Strain Relief		
	100, 120 V	02.20.206.00	1
	220, 240, 220/230, 230/240 V	02.20.212.00	1
23	Terminal Block, 3-Pole	R02.15.030.00	1
24	Power Cord w/ Plug		
	100, 120 V	R02.18.030.00	1
	220, 220/230 V	02.18.077.00	1
	240, 230/240 V	02.18.066.00	1
25	Heating Element, Base		
	100 V	02.05.507.00	2
	120 V	02.05.293.00	2
	220, 240, 220/230, 230/240 V	02.05.294.00	2
26	Pan Divider (optional)	04.22.400.00	1
27	Pan Enclosure (optional)		
	1 Pan *	---	
	2 Pan	04.22.406.00	1
28	Water Trough	04.22.403.00	1
29	Heating Element, Water		
	100 V	02.05.508.00	1
	120 V	02.05.295.00	1
	220, 240, 220/230, 230/240 V	02.05.296.00	1
	Wiring Diagram		
	100 V	HS2-5825	
	120 V	HS2-3544	
	220 V	HS2-3546	
	240 V	HS2-3548	
	220/230 V	HS2-4163	
	230/240 V	HS2-4164	

* Not shown.

The shaded areas contain part information for **International models only**.

Parts Specific to Model GRCDH-2PD

Item	Description	Part Number	Qty.
8A	Curved Glass, Flip-Up Door †	R00.01.0350.xx	2
8B	Curved Glass, Front	R04.40.095.00	1
9	End Glass	04.40.091.00	2
10	Light Bulb		
	120 V	02.30.043.00	6
	220, 240, 220/230, 230/240 V	02.30.058.00	6
11	Heating Element, Upper		
	120 V	R02.08.222D.00	3
	220, 240, 220/230, 230/240 V	R02.08.232E.00	3
12	Wire Guard	04.37.100.00	6
13A	Glass Door (Left Side)	R00.01.0030.00	1
13B	Glass Door, Mirrored (Left Side)	R00.01.0038.00	1
14A	Glass Door (Right Side)	R00.01.0029.00	1
14B	Glass Door, Mirrored (Right Side)	R00.01.0037.00	1
15	Hinge Kit	---	
16	Relay		
	120 V	02.01.088.00	
	220, 220/230 V	02.01.180.00	
	240, 230/240 V	02.01.105.00	
17	Infinite Control Switch		
	120 V	R02.19.018.00	2
	220, 240, 220/230, 230/240 V	R02.19.019.00	2
18	On/Off Switch		
	120 V	R02.19.008A.00	1
	220, 240, 220/230, 230/240 V	R02.19.006.00	1
19	Rubber Boot, Toggle Switch	02.20.040.00	1
20	Indicator Light		
	Red		
	120 V	02.19.154.00	3
	220, 240 V	02.19.151.00	3
	Green		
	120 V	02.19.155.00	1
	220, 240 V	02.19.150.00	1
	220/230, 230/240 V	02.19.150.00	3
	Yellow		
	220/230, 230/240 V	02.19.152.00	1

Item	Description	Part Number	Qty.
21	High Limit, Automatic	R02.16.036.00	1
	High Limit, Manual *	02.16.071.00	1
22	Strain Relief		
	120 V	02.20.206.00	1
	220, 240, 220/230, 230/240 V	02.20.212.00	1
23	Terminal Block, 3-Pole	R02.15.030.00	1
24	Power Cord w/ Plug		
	120 V	R02.18.030.00	1
	120 V CSA	R02.18.083.00	1
	220, 220/230 V	02.18.077.00	1
	240, 230/240 V	02.18.066.00	1
25	Heating Element, Base		
	120 V	02.05.293.00	2
	220, 240, 220/230, 230/240 V	02.05.294.00	2
26	Pan Divider (optional)	04.22.400.00	1
27	Pan Enclosure (optional)		
	1 Pan *	---	
	2 Pan	04.22.406.00	1
28	Water Trough	04.22.403.00	1
29	Heating Element, Water		
	120 V	02.05.295.00	1
	220, 240, 220/230, 230/240 V	02.05.296.00	1
	Wiring Diagram		
	120 V	HS2-3313	
	220 V	HS2-3419	
	240 V	HS2-3421	
	220/230 V	HS2-4171	
	230/240 V	HS2-4172	

† Use one of the following suffixes for the appropriate painted part:

“.01” = Black	“.07” = Hunter Green
“.03” = Warm Red	“.12” = Glossy Gray
“.04” = White Granite	“.21” = Antique Copper
“.05” = Navy Blue	

* Not shown.

The shaded areas contain part information for **International models only**.

Parts Specific to Model GRCDH-3P

Item	Description	Part Number	Qty.
8A	Curved Glass, Flip-Up Door	---	
8B	Curved Glass, Front	R04.40.107.00	1
9	End Glass	04.40.105.00	2
10	Light Bulb		
	100, 120 V	02.30.043.00	3
	220, 240, 220/230, 230/240 V	02.30.058.00	3
11	Heating Element, Upper		
	100 V	R02.08.567E.00	1
	120 V	R02.08.216D.00	1
	220, 220/230 V	R02.08.253.00	1
	240, 230/240 V	R02.08.254E.00	1
12	Wire Guard	04.37.100.00	3
13A	Glass Door (Left Side)	R00.01.0028.00	1
13B	Glass Door, Mirrored (Left Side)	R00.01.0036.00	1
14A	Glass Door (Right Side)	R00.01.0027.00	1
14B	Glass Door, Mirrored (Right Side)	R00.01.0035.00	1
15	Hinge Kit	---	
16	Relay		
	100, 120 V	02.01.088.00	1
	220, 220/230 V	02.01.080.00	1
	240, 230/240 V	02.01.105.00	1
17	Infinite Control Switch		
	100 V	R02.19.160.00	2
	120 V	R02.19.018.00	2
	220, 240, 220/230, 230/240 V	R02.19.019.00	2
18	On/Off Switch	R02.19.008A.00	1
19	Rubber Boot, Toggle Switch	02.20.040.00	1
20	Indicator Light		
	Red		
	100, 120 V	02.19.154.00	2
	220, 240 V	02.19.151.00	2
	Green		
	100, 120 V	02.19.155.00	1
	220, 240 V	02.19.150.00	1
	220/230, 230/240 V	02.19.150.00	2
	Yellow		
	220/230, 230/240 V	02.19.152.00	1

Item	Description	Part Number	Qty.
21	High Limit, Automatic	R02.16.036.00	1
	High Limit, Manual *	02.16.071.00	1
22	Strain Relief		
	100, 120 V	02.20.206.00	1
	220, 240, 220/230, 230/240 V	02.20.212.00	1
23	Terminal Block, 3-Pole	R02.15.030.00	1
24	Power Cord w/ Plug		
	100, 120 V	R02.18.030.00	1
	220, 220/230 V	02.18.077.00	1
	240, 230/240 V	02.18.066.00	1
25	Heating Element, Base		
	100 V	02.05.507.00	3
	120 V	02.05.293.00	3
	220, 240, 220/230, 230/240 V	02.05.294.00	3
26	Pan Divider (optional)	04.22.400.00	1
27	Pan Enclosure (optional)		
	1 Pan *	04.22.407.00	1
	2 Pan	04.22.406.00	1
28	Water Trough	04.22.403.00	1
29	Heating Element, Water		
	100 V	02.05.508.00	1
	120 V	02.05.295.00	1
	220, 240, 220/230, 230/240 V	02.05.296.00	1
	Wiring Diagram		
	100 V	HS2-5850	
	120 V	HS2-3545	
	220 V	HS2-3547	
	240 V	HS2-3549	
	220/230 V	HS2-4165	
	230/240 V	HS2-4166	

* Not shown.

The shaded areas contain part information for **International models only**.

Parts Specific to Model GRCDH-3PD

Item	Description	Part Number	Qty.
8A	Curved Glass, Flip-Up Door †	R00.01.0350.xx	2
8B	Curved Glass, Front	R04.40.096.00	1
9	End Glass	04.40.091.00	2
10	Light Bulb		
	120 V	02.30.043.00	6
	220, 240, 220/230, 230/240 V	02.30.058.00	6
11	Heating Element, Upper		
	120 V	R02.08.217D.00	3
	220, 240, 220/230, 230/240 V	R02.08.265E.00	3
12	Wire Guard	04.37.100.00	9
13A	Glass Door (Left Side)	R00.01.0032.00	1
13B	Glass Door, Mirrored (Left Side)	R00.01.0039.00	1
14A	Glass Door (Right Side)	R00.01.0031.00	1
14B	Glass Door, Mirrored (Right Side)	R00.01.0040.00	1
15	Hinge Kit	---	
16	Relay		
	120 V	02.01.088.00	1
	220, 220/230 V	02.01.180.00	1
	240, 230/240 V	02.01.105.00	1
17	Infinite Control Switch		
	120 V	R02.19.018.00	3
	220, 240, 220/230, 230/240 V	R02.19.019.00	3
18	On/Off Switch		
	120 V	R02.19.008A.00	1
	220, 240, 220/230, 230/240 V	R02.19.006.00	1
19	Rubber Boot, Toggle Switch	02.20.040.00	1
20	Indicator Light		
	Red		
	120 V	02.19.154.00	3
	220, 240 V	02.19.151.00	3
	Green		
	120 V	02.19.155.00	1
	220, 240 V	02.19.150.00	1
	220/230, 230/240 V	02.19.150.00	3
	Yellow		
	220/230, 230/240 V	02.19.152.00	1

Item	Description	Part Number	Qty.
21	High Limit, Automatic	R02.16.036.00	1
	High Limit, Manual *	02.16.071.00	1
22	Strain Relief		
	120 V	02.20.212.00	1
	120 V CSA	02.20.209.00	1
	220, 240, 220/230, 230/240 V	02.20.212.00	1
23	Terminal Block, 3-Pole	R02.15.030.00	1
24	Power Cord w/ Plug		
	120 V	R02.18.083.00	1
	120 V CSA	R02.18.039.00	1
	220, 220/230 V	02.18.077.00	1
	240, 230/240 V	02.18.068.00	1
25	Heating Element, Base		
	120 V	02.05.293.00	2
	220, 240, 220/230, 230/240 V	02.05.294.00	2
26	Pan Divider (optional)	04.22.400.00	1
27	Pan Enclosure (optional)		
	1 Pan *	04.22.407.00	1
	2 Pan	04.22.406.00	1
28	Water Trough	04.22.403.00	1
29	Heating Element, Water		
	120 V	02.05.295.00	1
	220, 240, 220/230, 230/240 V	02.05.296.00	1
	Wiring Diagram		
	120 V	HS2-3311	
	220 V	HS2-3424	
	240 V	HS2-3426	
	220/230 V	HS2-4173	
	230/240 V	HS2-4174	

† Use one of the following suffixes for the appropriate painted part:

“.01” = Black	“.07” = Hunter Green
“.03” = Warm Red	“.12” = Glossy Gray
“.04” = White Granite	“.21” = Antique Copper
“.05” = Navy Blue	

* Not shown.

The shaded areas contain part information for **International models only**.

AUTHORIZED PARTS DISTRIBUTORS • AUTORISÉS DISTRIBUTEURS DE PIÈCES

ALABAMA

Jones McLeod Appl. Svc.
Birmingham 205-251-0159

ARIZONA

Tech 24
Phoenix 602-234-2443

Byassee Equipment Co.
Phoenix 602-252-0402

CALIFORNIA

Industrial Electric
Commercial Parts & Service, Inc.
Huntington Beach 714-379-7100

Chapman Appl. Service
San Diego 619-298-7106

P & D Appliance
Commercial Parts & Service, Inc.
S. San Francisco 650-635-1900

COLORADO

Hawkins Commercial Appliance
Englewood 303-781-5548

FLORIDA

Whaley Foodservice Repair
Jacksonville 904-725-7800

Whaley Foodservice Repair
Orlando 407-757-0851

B.G.S.I./Heritage
Pompano Beach 954-971-0456

Comm. Appliance Service
Tampa 813-663-0313

GEORGIA

Heritage Service Group
Norcross 866-388-9837

HAWAII

Burney's Comm. Service, Inc.
Honolulu 808-848-1466

Food Equip Parts & Service
Honolulu 808-847-4871

ILLINOIS

Parts Town
Addison 708-865-7278

Eichenauer Elec. Service
Decatur 217-429-4229

Midwest Elec. Appl. Service
Elmhurst 630-279-8000

Cone's Repair Service
Moline 309-797-5323

IOWA

Goodwin Tucker Group
Des Moines 515-262-9308

KENTUCKY

Tech 24
Lexington 859-254-8854

Tech 24
Louisville 502-451-5411

LOUISIANA

Chandlers Parts & Service
Baton Rouge 225-272-6620

MARYLAND

Electric Motor Service
Baltimore 410-467-8080

MASSACHUSETTS

Ace Service Co., Inc.
Needham 781-449-4220

MICHIGAN

Bildons Appliance Service
Detroit 248-478-3320

Commercial Kitchen Service
Bay City 989-893-4561

Midwest Food Equip. Service
Grandville 616-261-2000

MISSOURI

General Parts
Kansas City 816-421-5400

Commercial Kitchen Services
St. Louis 314-890-0700

Kaemmerlen Parts & Service
St. Louis 314-535-2222

NEBRASKA

Anderson Electric
Omaha 402-341-1414

NEVADA

Burney's Commercial
Las Vegas 702-736-0006

Hi. Tech Commercial Service
N. Las Vegas 702-649-4616

NEW JERSEY

Jay Hill Repair
Fairfield 973-575-9145

Service Plus
Flanders 973-691-6300

NEW YORK

Alpro Service Co.
Maspeth 718-386-2515

Duffy's - AIS
Buffalo 716-884-7425

3Wire
Plattsburgh 800-634-5005

Duffy's - AIS
Sauquoit 800-836-1014

J.B. Brady, Inc.
Syracuse 315-422-9271

NORTH CAROLINA

Authorized Appliance
Charlotte 704-377-4501

OHIO

Akron/Canton Comm. Svc. Inc.
Akron 330-753-6634

Tech 24
Cincinnati 513-772-6600

Commercial Parts and Service
Columbus 614-221-0057

Electrical Appl. Repair Service
Brooklyn Heights 216-459-8700

E. A. Wichman Co.
Toledo 419-385-9121

OKLAHOMA

Hagar Rest. Service, Inc.
Oklahoma City 405-235-2184

OREGON

General Parts Group
Portland 503-624-0890

PENNSYLVANIA

Elmer Schultz Services
Philadelphia 215-627-5401

FAST Comm. Appl. Service
Philadelphia 215-288-4800

AIS Commercial Parts and Service
Pittsburgh 412-809-0244

K & D Service Co.
Harrisburg 717-236-9039

Electric Repair Co.
Reading 610-376-5444

RHODE ISLAND

Marshall Electric Co.
Providence 401-331-1163

SOUTH CAROLINA

Whaley Foodservice Repair
Lexington 803-996-9900

TENNESSEE

Camp Electric
Memphis 901-527-7543

TEXAS

Armstrong Repair Service
Houston 713-666-7100

Cooking Equipment Specialist
Mesquite 972-686-6666

Commercial Kitchen Repair Co.
San Antonio 210-735-2811

UTAH

La Monica's Rest. Equip. Service
Murray 801-263-3221

VIRGINIA

Daubers
Norfolk 757-855-4097

Daubers
Springfield 703-866-3600

WASHINGTON

3Wire
Seattle 800-207-3146

WISCONSIN

A.S.C., Inc.
Madison 608-246-3160

A.S.C., Inc.
Milwaukee 414-543-6460

CANADA

ALBERTA

Key Food Equipment Service
Edmonton 780-438-1690

BRITISH COLUMBIA

Key Food Equipment Service
Vancouver 604-433-4484

Key Food Equipment Service
Victoria 250-920-4888

MANITOBA

Air Rite, Inc.
Winnipeg 204-895-2300

NEW BRUNSWICK

EMR Services, Ltd.
Moncton 506-855-4228

ONTARIO

R.G. Henderson Ltd.
Toronto 416-422-5580

Choquette - CKS, Inc.
Ottawa 613-739-8458

QUÉBEC

Choquette - CKS, Inc.
Montreal 514-722-2000

Choquette - CKS, Inc.
Québec City 418-681-3944

UNITED KINGDOM

Marren Group
Northants +44(0)1933 665313

HATCO CORPORATION
P.O. Box 340500
Milwaukee, WI 53234-0500 U.S.A.
414-671-6350
partsandservice@hatcocorp.com
www.hatcocorp.com



24 Hour 7 Day Parts and Service
Assistance available in the United States
and Canada by calling 414-671-6350.