



IMPORTANT NOTE:

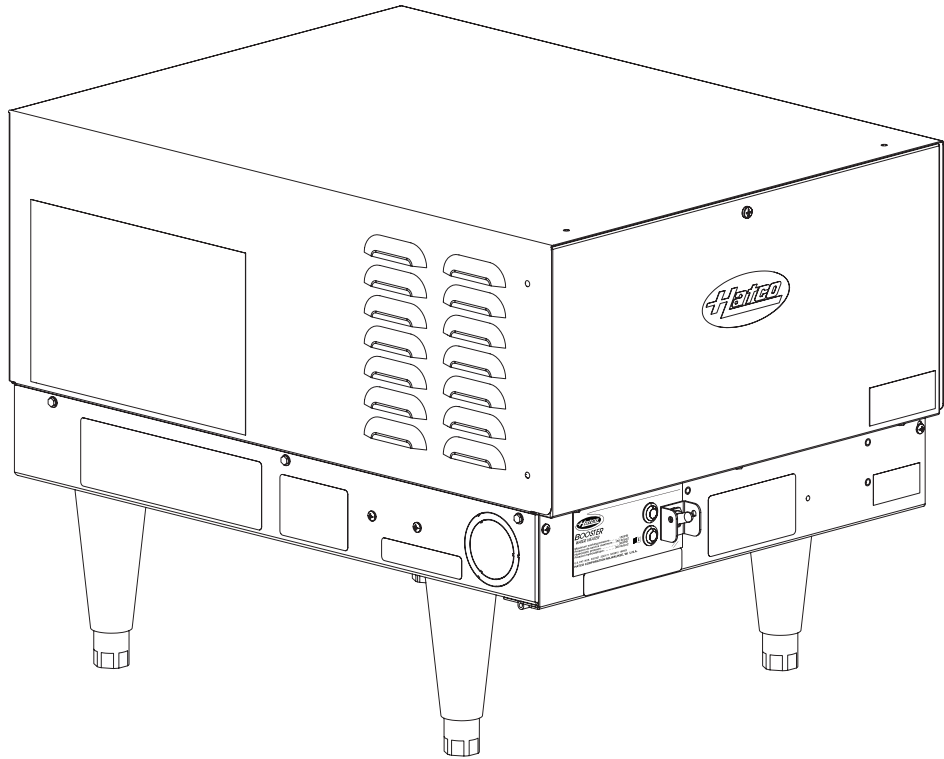
Locate the Specification Label on unit to determine exact Model Name and electrical specifications. This information is needed to identify the correct replacement parts. See exploded view illustration(s) for Specification Label location.

CAUTION

Use of replacement parts other than those supplied by Hatco Corporation may result in damage to unit or injury to personnel and will void all warranties.

Compact Booster Electric Water Heaters

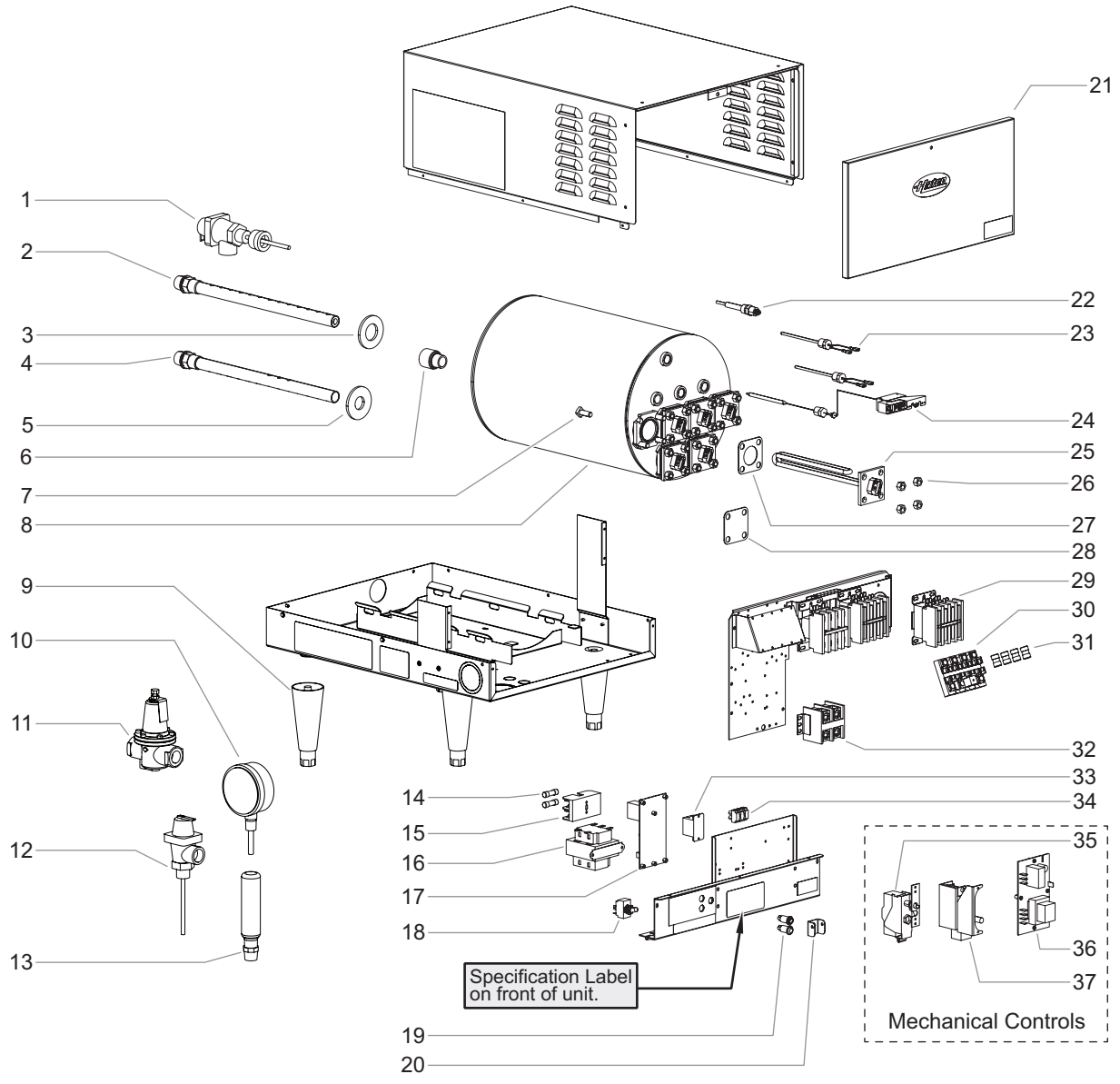
C Series



Replacement Parts List

Hatco Compact Electric Booster Heater

C Series



Main Assembly

Item	Description	Part No.	Qty.
1	Pressure Relief Valve	03.02.022.00	1
2	Outlet Pipe		
	Small Compact (C-4 to C-18)	03.05.057.00	1
	Large Compact (C-24 to C-58)		
	Castone Tank	03.30.009.00	1
	Stainless Steel Tank	03.05.057.00	1
3	Ring Seal, Relief Valve	05.06.017.00	1
4	Inlet Tube		
	Small Compact (C-4 to C-18)		
	Castone Tank	03.30.014.00	1
	Stainless Steel Tank	03.05.057.00	1
	Large Compact (C-24 to C-58)		
	Castone Tank	03.30.015.00	1
	Stainless Steel Tank	03.05.057.00	1
5	Ring Seal, Inlet/Outlet Pipe	05.06.006.00	2
6	3/4" Extension	03.40.019.00	1
7	Bolt, Element Mounting	05.04.022.00	4-24
8	Tank		
	Small Compact (C-4 to C-18)		
	Castone Tank, 2 Element	01.02.042.00	1
	Castone Tank, 2 Element (with interlock)	01.02.043.00	1
	Castone Tank, 3 Element	01.02.044.00	1
	Castone Tank, 3 Element (with interlock)	01.02.045.00	1
	Stainless Steel Tank, 2 Element	01.02.055.00	1
	Stainless Steel Tank, 2 Element (with interlock)	01.02.061.00	1
	Stainless Steel Tank, 3 Element	01.02.056.00	1
	Stainless Steel Tank, 3 Element (with interlock)	01.02.062.00	1
	Large Compact (C-24 to C-58)		
	Castone Tank	01.02.046.00	1
	Castone Tank (with interlock)	01.02.047.00	1
	Stainless Steel Tank	01.02.063.00	1
	Stainless Steel Tank (with interlock)	01.02.064.00	1
9	Legs		
	Plastic	05.30.069.00	4
	Stainless Steel	05.30.070.00	4
	Deck Mount	05.30.073.00	4
10	Temperature/Pressure Gauge	03.01.003.00	1
11	Pressure Reducing Valve		
	Iron	03.02.004.00	1
	Brass	03.02.015.00	1
12	Temperature/Pressure Release Valve	03.02.022.00	1
13	Shock Absorber	03.40.057.00	1
14	Fuses *	02.03.014.00	2
15	Fuse Blocks *	02.03.022.00	1
16	Transformers	See Page 4	

Item	Description	Part No.	Qty.
17	Electronic Control	02.01.443.00	1
18	Power I/O (on/off) Toggle Switch	R02.19.008A.00	1
19	Indicator Lights		
	Red (Error Indicator)	02.19.256.00	1
	Green (Power Indicator), 120 V	02.19.155.00	1
	Green (Power Indicator), 240V	02.19.150.00	1
20	Guard, Toggle Switch	04.01.038.00	1
21	Front Cover		
	Small Compact (C-4 to C-18)	04.01.365.00	1
	Large Compact (C-24 to C-58)	04.01.366.00	1
22	Probe, Low Water Cut Off	02.40.001.00	1
23	Probe, Thermostat and Limit	02.16.162.00	2
24	Probe, Thermostat Interlock	02.16.074.00	1
25	Heating Elements	See Page 4-5	
26	Nut, Element Mounting	05.04.028.00	4-24
27	Gasket, Heating Element	02.11.012.00	1-6
28	Blank Element Flange Kit	R02.11.013.00	1
29	Contactors	See Page 6	
30	Fuse Block	See Page 6	
31	Fuses	See Page 6	
32	Terminal Block	02.15.007.00	1
33	Relay (Remote Signal Option)		
	120 V	02.01.088.00	1
	208 V	02.01.105.00	1
	24 V	02.01.466.00	1
34	Terminal Block (Interlock)	02.15.029.00	1
35	Thermostat Control * † (bulb and cap only)		
	Small Compact (C-4 to C-18)	02.16.024.00	1
	Large Compact (C-24 to C-58)	02.16.003.00	1
36	Low Water Cut Off Board †	02.01.210.00	1
37	High Limit Thermostat * †	02.16.116.00	1
38	Slide Bracket Kit (not shown)	R04.20.030.00	1
39	Electronic Control Retrofit Kit † (not shown)	R02.01.443.00	1
	Wiring Diagram	See Page 7	

NOTE: Quantities shown as a range (example = "1-6") are dependent upon the number of elements in a unit.

* Refer to the "Legacy Parts List" (page 7) for replacement parts for units with a date code of 1905 or older.

† Items 35, 36, and 37 are for units with mechanical controls. The mechanical control can be replaced with Item 39.

The shaded areas contain information for **International models only**.

NOTE: The last four digits in a ten digit numerical serial number are the manufacturing date code: 962506**1704**

Year 2017 ————
Week Four ————

Transformers

Item Description	Part No.	Qty.
16 Transformers		
208 V and 240 V	02.17.004.00	1
480 V	02.17.005.00	1
380 V	02.17.003.00	1
415 V	02.17.061.00	1
480 V	R02.17.002.00	1
600 V	02.17.059.00	1
380-400 V	02.17.048.00	
400-415 V	02.17.062.00	1

Heating Elements — Small Compacts

Item Description	Part No.	Qty.
25 Heating Elements		
C-4 Models		
208 V, 1Φ	R02.04.400.00	1
208 V, 3Φ	R02.04.400.00	3
240 V, 1Φ	R02.04.401.00	1
240 V, 3Φ	R02.04.401.00	3
480 V	R02.04.404.00	1
C-5 Models		
208 V, 1Φ	R02.04.500.00	1
208 V, 3Φ	R02.04.500.00	3
240 V, 1Φ	R02.04.501.00	1
240 V, 3Φ	R02.04.501.00	3
480 V	R02.04.502.00	1
C-6 Models		
208 V	R02.04.302.00	2
240 V	R02.04.303.00	2
480 V	R02.04.305.00	2
380 V	R02.04.510.00	3
415 V	R02.04.452.00	3
600 V	R02.04.404.00	3
380-400 V and 400-415 V	R02.04.202.00	3
C-7 Models		
208 V	R02.04.350.00	2
240 V	R02.04.351.00	2
480 V	R02.04.352.00	2
380 V	R02.04.303.00	3
415 V	R02.04.510.00	3
380-400 V and 400-415 V	R02.04.307.00	3
C-9 Models		
208 V	R02.04.450.00	2
240 V	R02.04.451.00	2
480 V	R02.04.453.00	2
380 V	R02.04.351.00	3
415 V	R02.04.303.00	3
600 V	R02.04.304.00	3
380-400 V and 400-415 V	R02.04.303.00	3

Φ = Phase

NOTE: Heating Elements include Item 7 (Mounting Bolts), Item 26 (Mounting Nuts), and Item 27 (Gaskets).

Heating Elements — Small Compacts

Item Description	Part No.	Qty.
25 Heating Elements		
C-12 Models		
208 V	R02.04.400.00	3
240 V	R02.04.401.00	3
480 V	R02.04.404.00	3
380 V	R02.04.501.00	3
415 V	R02.04.401.00	3
600 V	R02.04.402.00	3
380-400 V and 400-415 V	R02.04.401.00	3
C-13 Models		
208 V	R02.04.450.00	3
240 V	R02.04.451.00	3
480 V	R02.04.453.00	3
380 V	R02.04.451.00	3
415 V	R02.04.451.00	3
600 V	R02.04.353.00	3
380-400 V and 400-415 V	R02.04.451.00	3
C-15 Models		
208 V	R02.04.500.00	3
240 V	R02.04.501.00	3
480 V	R02.04.502.00	3
380 V	R02.04.603.00	3
415 V	R02.04.501.00	3
600 V	R02.04.510.00	3
380-400 V and 400-415 V	R02.04.501.00	3
C-17 Models		
208 V	R02.04.600.00	3
C-18 Models		
208 V	R02.04.600A.00	3
240 V	R02.04.603.00	3
480 V	R02.04.605.00	3
380 V	R02.04.601.00	3
415 V	R02.04.603.00	3
600 V	R02.04.604.00	3
380-400 V and 400-415 V	R02.04.603.00	3

The shaded areas contain information for **International models only**.

Heating Elements — Large Compacts

Item Description	Part No.	Qty.
25 Heating Elements		
C-24 Models		
208 V	R02.04.400.00	6
240 V	R02.04.401.00	6
480 V	R02.04.404.00	6
380 V	R02.04.501.00	6
415 V	R02.04.401.00	6
600 V	R02.04.402.00	6
380-400 V and 400-415 V	R02.04.401.00	6
C-27 Models		
208 V	R02.04.450.00	6
240 V	R02.04.451.00	6
480 V	R02.04.453.00	6
380 V	R02.04.501.00	6
415 V	R02.04.451.00	6
600 V	R02.04.452.00	6
380-400 V and 400-415 V	R02.04.451.00	6
C-30 Models		
208 V	R02.04.500.00	6
240 V	R02.04.501.00	6
480 V	R02.04.502.00	6
380 V	R02.04.611.00	6
415 V	R02.04.501.00	6
600 V	R02.04.510.00	6
380-400 V and 400-415 V	R02.04.501.00	6
C-36 Models		
208 V	R02.04.610.00	6
240 V	R02.04.611.00	6
480 V	R02.04.613.00	6
380 V	R02.04.601.00	6
415 V	R02.04.611.00	6
600 V	R02.04.612.00	6

Heating Elements — Large Compacts

Item Description	Part No.	Qty.
25 Heating Elements		
C-39 Models		
208 V	R02.04.650.00	6
240 V	R02.04.653.00	6
480 V	R02.04.655.00	6
380 V	R02.04.651.00	6
415 V	R02.04.653.00	6
600 V	R02.04.654.00	6
C-45 Models		
208 V	R02.04.700.00	6
240 V	R02.04.701.00	6
480 V	R02.04.703.00	6
380 V	R02.04.711.00	6
415 V	R02.04.701.00	6
600 V	R02.04.704.00	6
C-54 Models		
208 V	R02.04.710.00	6
240 V	R02.04.711.00	6
480 V	R02.04.713.00	6
380 V	R02.04.721.00	6
415 V	R02.04.711.00	6
600 V	R02.04.714.00	6
C-58 Models		
208 V	R02.04.720.00	6
240 V	R02.04.721.00	6
480 V	R02.04.724.00	6
380 V	R02.04.723.00	6
415 V	R02.04.721.00	6
600 V	R02.04.725.00	6

NOTE: Heating Elements include Item 7 (Mounting Bolts), Item 26 (Mounting Nuts), and Item 27 (Gaskets).

NOTE: The last four digits in a ten digit numerical serial number are the manufacturing date code: 962506**1704**

Year 2017 ————
 Week Four ————

Contactors

Item Description	Part No.	Qty.
29 Contactors		
C-4 and C-5 Models		
208 V (1Φ), 240 V (1Φ)	02.01.010.00	1
208 and 240 V (3Φ), 480 V (1Φ)	02.01.015.00	1
208 V (1Φ), 240 V (1Φ)	02.01.016.00	1
C-6, C-7, C-9 Models		
208, 240, 480 V	02.01.015.00	1
All international voltages	02.01.016.00	1
C-12, C-13, C-15, C-17 Models		
208 (1Φ), 240 V (1Φ)	02.01.017.00	1
208 and 240 V (3Φ), 480 V (1Φ)	02.01.015.00	1
208 V (1Φ), 240 V (1Φ)	02.01.018.00	1
240, 380, 415, 480, 600 V	02.01.016.00	1
C-18 Models		
208, 240, 480 V	02.01.015.00	1
208 and 240 V	02.01.018.00	1
380, 415, 480, 600 V	02.01.016.00	1
C-24, C-27, C-30 Models		
208, 240, 480 V	02.01.015.00	1
All international voltages	02.01.016.00	1
C-36 Models		
208 V (1Φ and 3Φ), 240 V (1Φ)	02.01.017.00	3
240 V (3Φ), 480 V (3Φ)	02.01.015.00	2
208 V	02.01.018.00	3
240, 380, 415, 480, 600 V	02.01.016.00	2
C-39 Models		
208 V (1Φ and 3Φ), 240 V (1Φ)	02.01.017.00	3
240 V (3Φ), 480 V (3Φ)	02.01.015.00	2
208 and 240 V	02.01.018.00	3
380, 415, 480, 600 V	02.01.016.00	2
C-45 Models		
208 (3Φ), 240 V	02.01.017.00	3
480 V	02.01.015.00	2
208, 240 V	02.01.018.00	3
380, 415, 480, 600 V	02.01.016.00	2
C-54 Models		
208 V	02.01.017.00	2
240 V	02.01.017.00	3
480 V	02.01.015.00	2
208, 240 V	02.01.018.00	3
380, 415, 480 V	02.01.016.00	2
600 V	02.01.016.00	1
C-58 Models		
208 and 240 V	02.01.017.00	3
480 V	02.01.015.00	2
208, 240 V	02.01.018.00	3
380, 415, 480 V	02.01.016.00	2
600 V	02.01.016.00	1

Φ = Phase

Fuse Blocks

Item Description	Part No.	Qty.
30 Fuse Block		
C-18 Models	02.41.010.00	2
C-24, C-27, C-30 Models		
208 and 240 V, 1Φ	02.41.010.00	2
208 and 240 V, 3Φ	02.41.001.00	1
	02.41.005.00	1
C-36, C-39 Models		
208 and 240 V, 1Φ	02.41.010.00	4
208 V, 3Φ	02.41.015.00	3
240 V, 3Φ	02.41.001.00	1
	02.41.005.00	1
C-45 Models		
240 V, 1Φ	02.41.010.00	4
208 and 240 V, 3Φ	02.41.015.00	3
480 V, 3Φ	02.41.030.00	2
C-54 Models		
208 and 240 V, 3Φ	02.41.022.00	2
480 V, 3Φ	02.41.030.00	2
C-58 Models		
208 and 240 V, 3Φ	02.41.022.00	2
480 V, 3Φ	02.41.030.00	2

Fuses

Item Description	Part No.	Qty.
31 Fuses		
C-18 Models	R02.03.031.02	3
C-24, C-27 Models		
208 and 240 V, 1Φ	R02.03.033.02	3
208 and 240 V, 3Φ	R02.03.032.02	3
C-30 Models	R02.03.033.02	3
C-36, C-39 Models		
208 and 240 V, 1Φ	R02.03.031.02	6
208 V, 3Φ	R02.03.031.02	6
240 V, 3Φ	R02.03.033.02	3
C-45 Models		
208 V, 3Φ	R02.03.032.02	6
240 V, 1Φ	R02.03.031.02	6
240 V, 3Φ	R02.03.031.02	6
480 V, 3Φ	R02.03.011.02	3
C-54 Models		
208 and 240 V, 3Φ	R02.03.033.02	6
480 V, 3Φ	R02.03.012.02	3
C-58 Models		
208 V, 3Φ	R02.03.033.02	6
240 V, 3Φ	R02.03.032.02	6
480 V, 3Φ	R02.03.012.02	3

The shaded areas contain information for **International models only**.

Wiring Diagrams — Small Compact

Item Description	Part No.
Wiring Diagram	
SC 1PH 18KW W/ETC	10-01-1491A
SC DELTA 9-18KW W/ETC	10-01-1492A
SC DELTA 9-18KW W/ETC 240CIR	10-01-1492B
SC WYE 4-18KW W/ETC	10-01-1493A
SC WYE 4-18KW W/ETC 240CIR	10-01-1493B
SC DUAL 10-18 W/ETC	10-01-1494A
SC DUAL 10-18 W/ETC 240CIR	10-01-1494B
SC 1PH 10-15KW W/ETC	10-01-1495A
SC DUAL 6-9KW W/ETC	10-01-1496A
SC DUAL 6-9KW W/ETC 240CIR	10-01-1496B
SC 1PH 4-5KW W/ETC	10-01-1497A
SC 1PH 4-5KW W/ETC 240CIR	10-01-1497B

Wiring Diagrams — Large Compact

Item Description	Part No.
Wiring Diagram	
LC 1PH 24-30KW W/ETC	10-01-1479A
LC DELTA 24-39KW W/ETC	10-01-1480A
LC DELTA 45-57KW W/ETC	10-01-1481A
LC DELTA 24-57KW W/ETC	10-01-1482A
LC 1PH 36-57KW W/ETC	10-01-1483A
LC DELTA 36-57KW W/ETC	10-01-1484A
LC DELTA 36-57KW W/ETC 240CIR	10-01-1485B
LC WYE 24-57KW W/ETC	10-01-1486A
LC DUAL 24-36KW W/ETC 240CIR	10-01-1487B
LC DELTA 9-18KW W/ETC	10-01-1488A
LC 1PH 36-45KW W/ETC 240CIR	10-01-1489B
LC WYE 39-57KW W/ETC	10-01-1490A
BO WYE 36KW LWCO CE 3 WIRE	10-01-443A
BO WYE 36KW LWCO CE 4 WIRE	10-01-443B
BO WYE 36KW LWCO CE 4 WIRE	10-01-444C
BO WYE 24-30KW LWCO CE 3 WIRE	10-01-445A
BO WYE 24-30KW LWCO CE 4 WIRE	10-01-445B
BO WYE 54-57KW LWCO REM SIG	10-01-446C

Legacy Parts List

Item Description	Part No.	Qty.
14 Fuse		
Class G	02.03.014.00	2
AGC, 1 Amp Glass Fuse	02.03.001.00	2
Class G	02.03.005.00	2
Class CC, 500 V	02.03.021.00	2
15 Fuse Block		
Class G	02.03.022.00	1
Fuse Holder for AGC Fuse	02.03.004.00	1
Class CC	02.03.016.00	1

NOTE: The last four digits in a ten digit numerical serial number are the manufacturing date code: 962506**1704**

Year 2017 ————
 Week Four ————

AUTHORIZED PARTS DISTRIBUTORS • AUTORISÉS DISTRIBUTEURS DE PIÈCES

ALABAMA

Jones McLeod Appl. Svc.
Birmingham 205-251-0159

ARIZONA

Tech 24
Phoenix 602-234-2443

Byassee Equipment Co.
Phoenix 602-252-0402

CALIFORNIA

Industrial Electric
Commercial Parts & Service, Inc.
Huntington Beach 714-379-7100

Chapman Appl. Service
San Diego 619-298-7106

P & D Appliance
Commercial Parts & Service, Inc.
S. San Francisco 650-635-1900

COLORADO

Hawkins Commercial Appliance
Englewood 303-781-5548

FLORIDA

Whaley Foodservice Repair
Jacksonville 904-725-7800

Whaley Foodservice Repair
Orlando 407-757-0851

B.G.S.I./Heritage
Pompano Beach 954-971-0456

Comm. Appliance Service
Tampa 813-663-0313

GEORGIA

Heritage Service Group
Norcross 866-388-9837

HAWAII

Burney's Comm. Service, Inc.
Honolulu 808-848-1466

Food Equip Parts & Service
Honolulu 808-847-4871

ILLINOIS

Parts Town
Addison 708-865-7278

Eichenauer Elec. Service
Decatur 217-429-4229

Midwest Elec. Appl. Service
Elmhurst 630-279-8000

Cone's Repair Service
Moline 309-797-5323

IOWA

Goodwin Tucker Group
Des Moines 515-262-9308

KENTUCKY

Tech 24
Lexington 859-254-8854

Tech 24
Louisville 502-451-5411

LOUISIANA

Chandlers Parts & Service
Baton Rouge 225-272-6620

MARYLAND

Electric Motor Service
Baltimore 410-467-8080

MASSACHUSETTS

Ace Service Co., Inc.
Needham 781-449-4220

MICHIGAN

Bildons Appliance Service
Detroit 248-478-3320

Commercial Kitchen Service
Bay City 989-893-4561

Midwest Food Equip. Service
Grandville 616-261-2000

MISSOURI

General Parts
Kansas City 816-421-5400

Commercial Kitchen Services
St. Louis 314-890-0700

Kaemmerlen Parts & Service
St. Louis 314-535-2222

NEBRASKA

Anderson Electric
Omaha 402-341-1414

NEVADA

Burney's Commercial
Las Vegas 702-736-0006

Hi. Tech Commercial Service
N. Las Vegas 702-649-4616

NEW JERSEY

Jay Hill Repair
Fairfield 973-575-9145

Service Plus
Flanders 973-691-6300

NEW YORK

Alpro Service Co.
Maspeth 718-386-2515

Duffy's - AIS
Buffalo 716-884-7425

3Wire
Plattsburgh 800-634-5005

Duffy's - AIS
Sauquoit 800-836-1014

J.B. Brady, Inc.
Syracuse 315-422-9271

NORTH CAROLINA

Authorized Appliance
Charlotte 704-377-4501

OHIO

Akron/Canton Comm. Svc. Inc.
Akron 330-753-6634

Tech 24
Cincinnati 513-772-6600

Commercial Parts and Service
Columbus 614-221-0057

Electrical Appl. Repair Service
Brooklyn Heights 216-459-8700

E. A. Wichman Co.
Toledo 419-385-9121

OKLAHOMA

Hagar Rest. Service, Inc.
Oklahoma City 405-235-2184

OREGON

General Parts Group
Portland 503-624-0890

PENNSYLVANIA

Elmer Schultz Services
Philadelphia 215-627-5401

FAST Comm. Appl. Service
Philadelphia 215-288-4800

AIS Commercial Parts and Service
Pittsburgh 412-809-0244

K & D Service Co.
Harrisburg 717-236-9039

Electric Repair Co.
Reading 610-376-5444

RHODE ISLAND

Marshall Electric Co.
Providence 401-331-1163

SOUTH CAROLINA

Whaley Foodservice Repair
Lexington 803-996-9900

TENNESSEE

Camp Electric
Memphis 901-527-7543

TEXAS

Armstrong Repair Service
Houston 713-666-7100

Cooking Equipment Specialist
Mesquite 972-686-6666

Commercial Kitchen Repair Co.
San Antonio 210-735-2811

UTAH

La Monica's Rest. Equip. Service
Murray 801-263-3221

VIRGINIA

Daubers
Norfolk 757-855-4097

Daubers
Springfield 703-866-3600

WASHINGTON

3Wire
Seattle 800-207-3146

WISCONSIN

A.S.C., Inc.
Madison 608-246-3160

A.S.C., Inc.
Milwaukee 414-543-6460

CANADA

ALBERTA

Key Food Equipment Service
Edmonton 780-438-1690

BRITISH COLUMBIA

Key Food Equipment Service
Vancouver 604-433-4484

Key Food Equipment Service
Victoria 250-920-4888

MANITOBA

Air Rite, Inc.
Winnipeg 204-895-2300

NEW BRUNSWICK

EMR Services, Ltd.
Moncton 506-855-4228

ONTARIO

R.G. Henderson Ltd.
Toronto 416-422-5580

Choquette - CKS, Inc.
Ottawa 613-739-8458

QUÉBEC

Choquette - CKS, Inc.
Montreal 514-722-2000

Choquette - CKS, Inc.
Québec City 418-681-3944

UNITED KINGDOM

Marren Group
Northants +44(0)1933 665313

HATCO CORPORATION
P.O. Box 340500
Milwaukee, WI 53234-0500 U.S.A.
800-558-0607 414-671-6350
partsandservice@hatcocorp.com
www.hatcocorp.com



24 Hour 7 Day Parts and Service
Assistance available in the United States
and Canada by calling 800-558-0607.