

N8200P

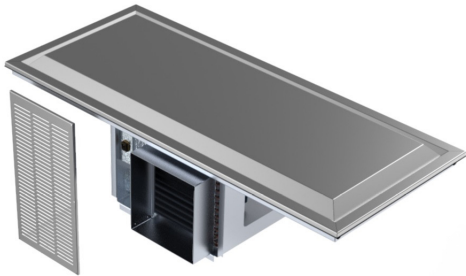
Drop-In Self-Contained Frost Top

Project _____
 Item _____
 Quantity _____
 CSI Section 11400
 Approved _____
 Date _____

N8200P: Drop-In Self-Contained Frost Top

Models

- N8231P 31" length self-contained frost top
- N8245P 45" length self-contained frost top
- N8259P 59" length self-contained frost top
- N8273P 73" length self-contained frost top
- N8287P 87" length self-contained frost top



N8259P

Standard Features

- Polyurethane foam insulation
- On/off switch
- Raised stainless steel top with full perimeter drain trough and 1/2" drain
- Environmentally friendly R290 refrigerant
- Stainless steel louver provided
- Push-in perimeter gasket
- One year parts and labor standard warranty

Options & Accessories

- Single or double service flip-up sneezeguards
 - Relocate compressor
 - 220V/50 cycle electrical available in 404a custom sku# version
- * Inclusion of this option will alter electrical specifications of the unit

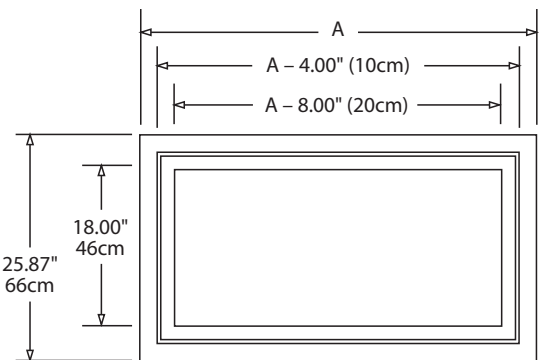
Specifications

Top is one-piece, heavy-gauge stainless steel. Top has a drain trough and 2.00" (5cm) overhang around perimeter. Top is elevated 1.68" (4cm) above counter surface. Refrigeration lines are secured to the underside of the top and insulated with high-density, environmentally friendly, Kyoto Protocol Compliant, Non ODP (Ozone Depletion Potential), Non GWP (Global Warming Potential) closed-cell polyurethane. Exterior housing is heavy-gauge galvanized steel.

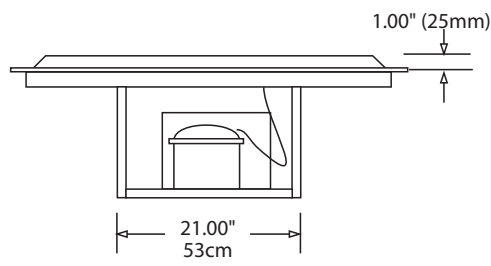
Condensing unit is suspended below the frost top on a heavy-gauge steel frame. Condensing unit uses R290 refrigerant. Unit has an ON/OFF toggle switch, an 8' (2.4m) cord and NEMA 5-15 plug. Unit has (1) stainless steel louver provided for field installation; cutout dimensions are 12.00" x 23.50" (30cm x 60cm).



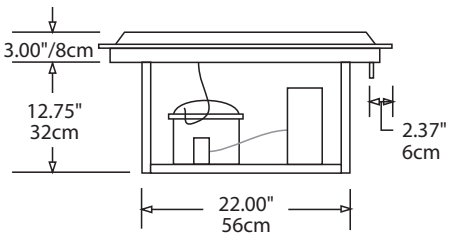
N8200P: Drop-In Self-Contained Frost Top



**Plan View
N8200P Models**



**Elevation View
N8200P Models**



**Right End View
N8200P Models**

Specifications										
Model	Counter Cutout Dimensions	Dim "A"	"Display Area (Raised Top)"	V/Hz/Ph	Amps	H.P.	Nema Plug	BTU Load	System Capacity	Ship Weight
N8231P	30.75" x 25.00" (78cm x 64cm)	31.81" (80.79cm)	23" x 18"	115/60/1	2.4	1/5	5-15P	635	635	142lbs/64kg
N8245P	44.63" x 25.00" (113cm x 64cm)	45.68" (116cm)	37" x 18"	115/60/1	2.4	1/5	5-15P	878	878	168lbs/76kg
N8259P	58.50" x 25.00" (149cm x 64cm)	59.56" (151.3cm)	51" x 18"	115/60/1	3.7	1/4	5-15P	1237	1237	193lbs/88kg
N8273P	72.38" x 25.00" (184cm x 64cm)	73.43" (186.5cm)	65" x 18"	115/60/1	3.7	1/4	5-15P	1437	1437	209lbs/95kg
N8287P	86.25" x 25.00" (219cm x 64cm)	87.31" (221.75cm)	79" x 18"	115/60/1	4.8	1/3	5-15P	1803	1803	239lbs/108kg

Delfield reserves the right to make changes to the design or specifications without prior notice.