

ATMOVAC

VACUUM MACHINES



Made in the Netherlands

CHINOOK

Our CHINOOK series will adapt to whatever you throw at them! Programmable interface for a varied use that offers you the most sizing options. For external and internal vacuum.



4 CLEAR RETURNS ON INVESTMENT

- **Scale saving:** Save money on your food cost by safely handling larger quantities.
- **Food saving:** Minimize food waste.
- **Go to market:** Bring your finished products to the marketplace in a safe, traceable and easily identifiable package.
- **Sous-Vide:** Incorporate Sous-Vide cooking processes in your kitchen, saving you labor costs and enhancing the quality of your offering.

All in a cost and space effective solution!



Busch pump
Powerful, reliable & maintenance friendly

CHINOOK Available with a 10 program panel featuring:

- % of VACUUM
- VAC+
- Liquid control (optional)
- Gas flush (optional)
- SEAL time
- SOFT AIR

Our CHINOOK + Series offers you the most advanced features:

- LCD panel
- Software in 5 languages
- 20 program memory
- USB connection
- Label printer compatibility
- HACCP compliance
- Secured multi-level access
- Online programming
- Marinating
- Tenderizing
- Red meat packaging
- Sequential vacuum
- Liquid control
- Gas flush (optional)

	CHINOOK14	CHINOOK14+	CHINOOK16+	CHINOOK16D
Standard	Sensor control*, double seal, soft air	Sensor control*, double seal, soft air, liquid control**, ACS***	Sensor control*, double seal, soft air, liquid control**, ACS***	Sensor control*, soft air, 2 x sealing beams
Power	120V, 960W, 8A, 5-15P	120V, 960W, 8A, 5-15P	110V, 1760W, 16A, 5-20P	110V, 1760W, 16A, 5-20P
Chamber size	14.5" x 13.5" x 6"	14.5" x 13.5" x 6"	18" x 16.5" x 7"	16" x 20.5" x 7"
Seal bar	13.5"	13.5"	16"	2 x 16"
Pump speed	10 m ³ h	10 m ³ h	21 m ³ h	25 m ³ h
Machine cycle	15-35 sec	15-35 sec	15-35 sec	15-35 sec
Dim. (L x W x H)	21.8" x 17.7" x 15.9"	21.8" x 17.7" x 15.9"	24.2" x 19.4" x 17.3"	20.8" x 27.5" x 17.3"
Net weight	117 lbs	117 lbs	156 lbs	179 lbs
Ship dimensions	24.8" x 20.8" x 17.7"	24.8" x 20.8" x 17.7"	27.1" x 22.8" x 20"	23.6" x 27.9" x 20.8"
Ship weight	134 lbs	134 lbs	176 lbs	196 lbs
Can be installed at purchase or bought separately. Professional installation required.	0930120-CH14	0930120-CH14PLUS	0930120-CH16PLUS	0930120-CH16D
	CH14	CH14PLUS	CH16PLUS	CH16D

LIQUID CONTROL KIT - Prevents spills due to liquids processing.

GAS KIT - Allows for gas flush packaging.

*Sensor control: The vacuum process will end as soon the pre-set percentage has been reached.

**Liquid control: Will prevent liquid from boiling during the vacuum process. As soon as the boiling point is detected the vacuum process stops and the bag is sealed. With no loss of moisture this protects the product, the pump and vacuum chamber.

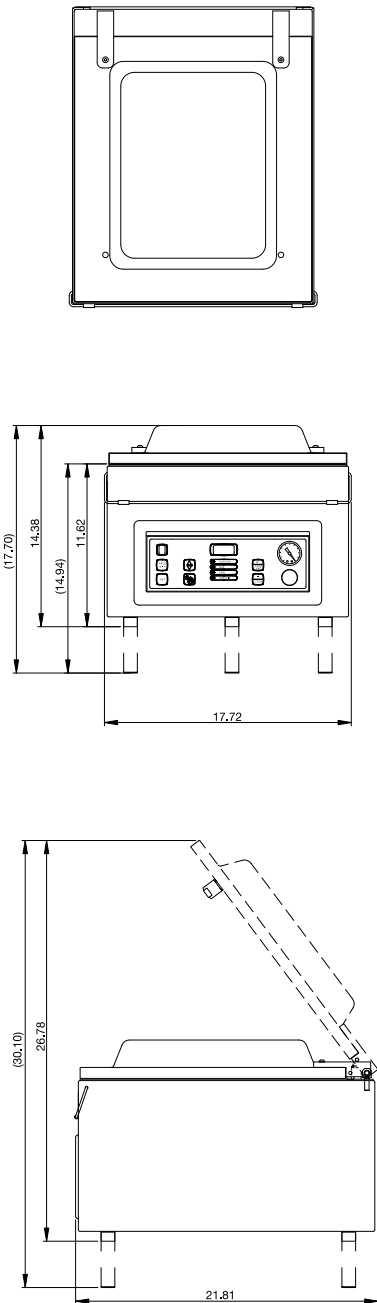
***ACS (Advanced Control System): LCD panel, 20 programs, secure access, gate check / maintenance alarm, USB connection, printer compatibility, HACCP compliance, service and maintenance.



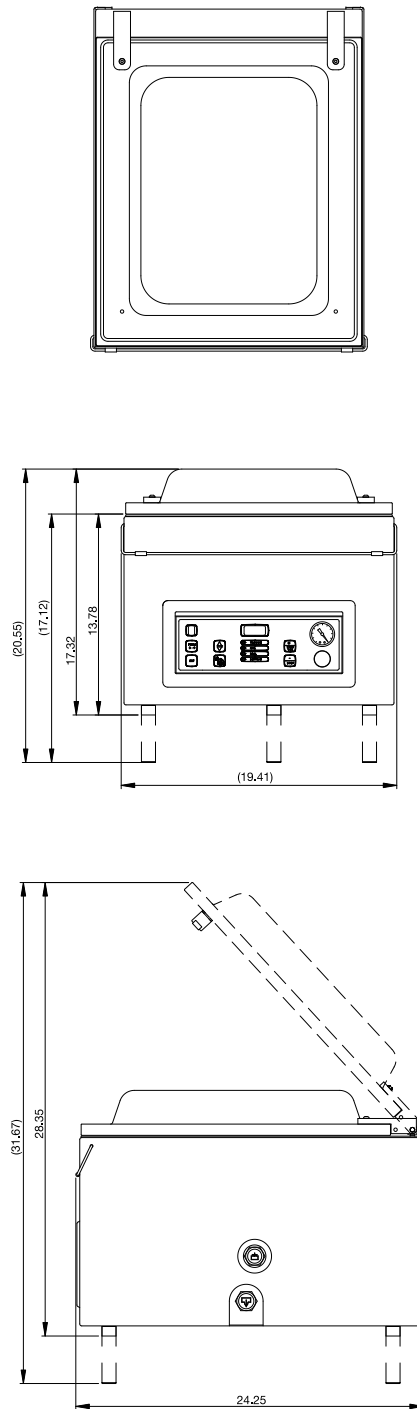
Warranty
(1) year
parts & labor

ATMOVAC

CHINOOK14 / CHINOOK14+



CHINOOK16+



CHINOOK16D

