



IMV-4E
IMVECTION OVEN
REPLACEMENT PARTS LIST

EFFECTIVE FEBRUARY 12, 2025

Superseding All Previous Parts Lists.

The Company reserves the right to make substitution in the event that items specified are not available.

ERRORS: Descriptive and/or typographic errors are subject to correction.

BLODGETT OVEN COMPANY

42 Allen Martin Drive, Essex Junction, Vermont 05452 USA Telephone: (802) 658-6600 Fax: (802) 860-3732
www.blodgett.com

P/N 110549 REV B (2/25)

SERIAL NUMBER LOCATION / KEY:

IMPORTANT: When ordering parts, please provide the model and serial number of the oven. The identification plate is located on the back of the oven.

SERIAL NUMBER EXAMPLES

071924XXX-0000000000000000000001

07/19/24 = DATE

XXX = LETTER CODE FOR IMV-4E

001 = FACTORY SEQUENCE

TO OBTAIN LITERATURE:

Email: literature@blodgett.com

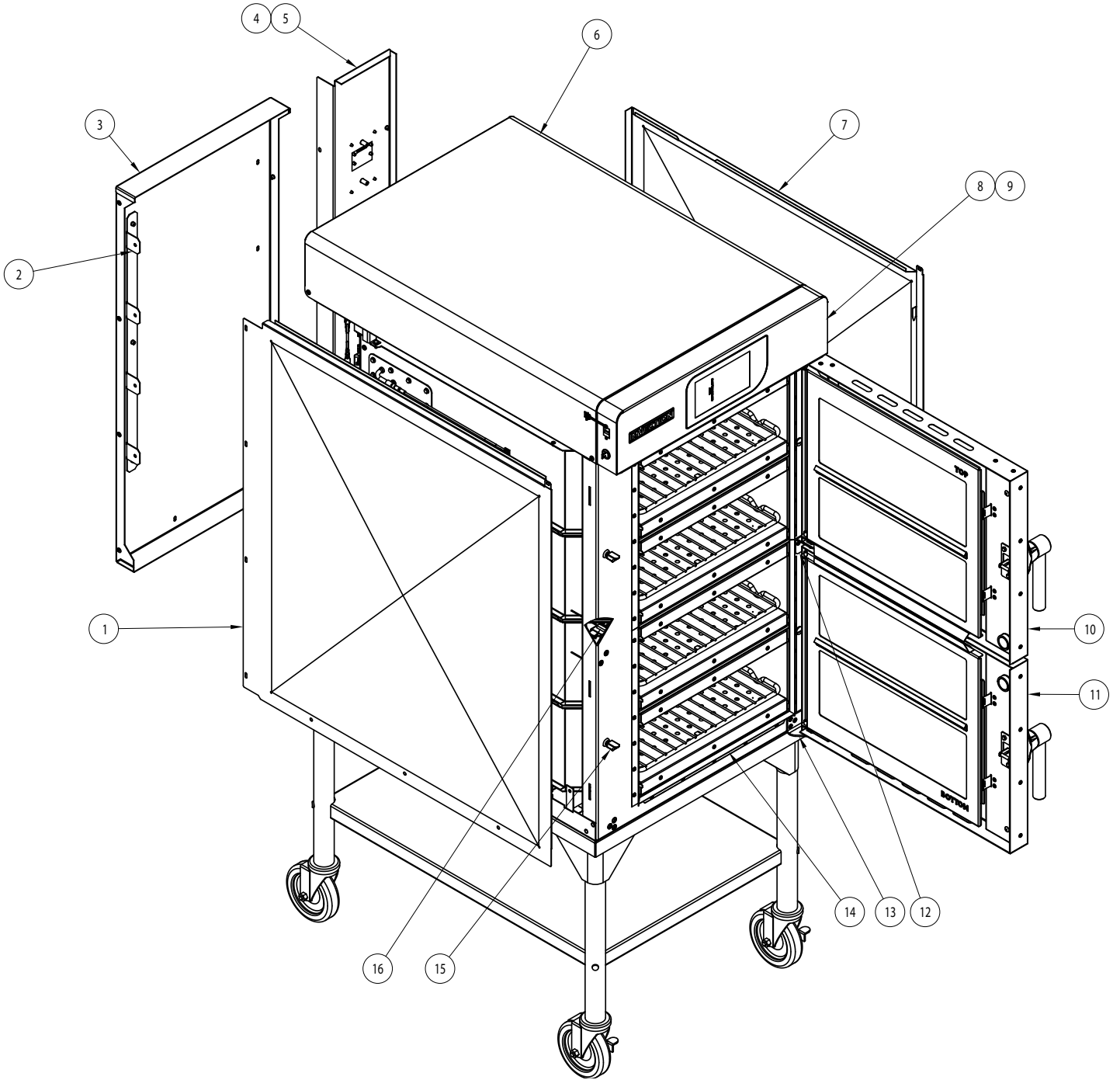
or visit

www.blodgett.com

TABLE OF CONTENTS

EXTERIOR	4
INTERNAL CAVITY.....	6
DOOR COMPONENTS	8
SHUFFLE MOTOR.....	10
CONTROL PANEL	12
ELECTRICAL COMPARTMENT	14
ELECTRICAL COMPARTMENT TERMINAL BLOCK ASSEMBLY.....	16
BLOWER MOTOR	18
HEATING ELEMENTS.....	20
STAND	22

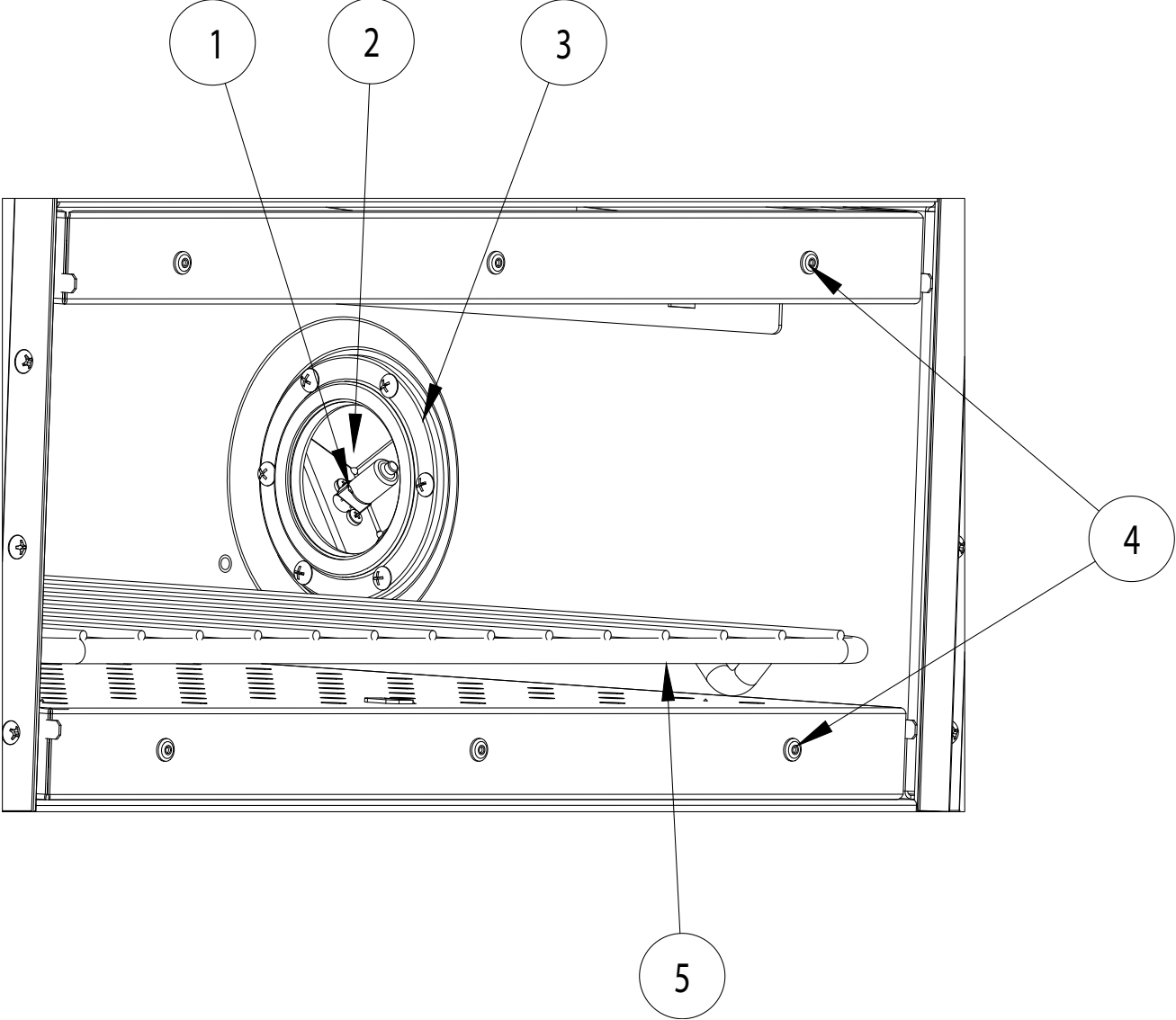
EXTERIOR



EXTERIOR

Item	P/N	Description
1	110269	LEFT HAND BODY SIDE
2	110267	WIRE WRANGLER
3	110268	MIDDLE BACK, IMV4E
4	110530	COOLING AIR EXHAUST SPLASH GUARD
5	110572	REPLACEMENT KIT, RH BACK
6	110258	TOP ENCLOSURE
7	110265	RIGHT HAND BODY SIDE
8	110568	KIT, CONTROL PANEL REPLACEMENT
9	110569	KIT, FULL CONTROL PANEL REPLACEMENT
10	110559	TOP DOOR, FULL REPLACEMENT KIT
11	110561	BOTTOM DOOR, FULL REPLACEMENT KIT
12	110584	KIT, MIDDLE DOOR HINGE REPLACEMENT
13	110585	KIT, BOTTOM DOOR HINGE REPLACEMENT
14	110571	KIT, GASKET REPLACEMENT
15	110458	DOOR LATCH CATCH, SINGLE
16	110567	KIT, DOOR SWITCH REPLACEMENT

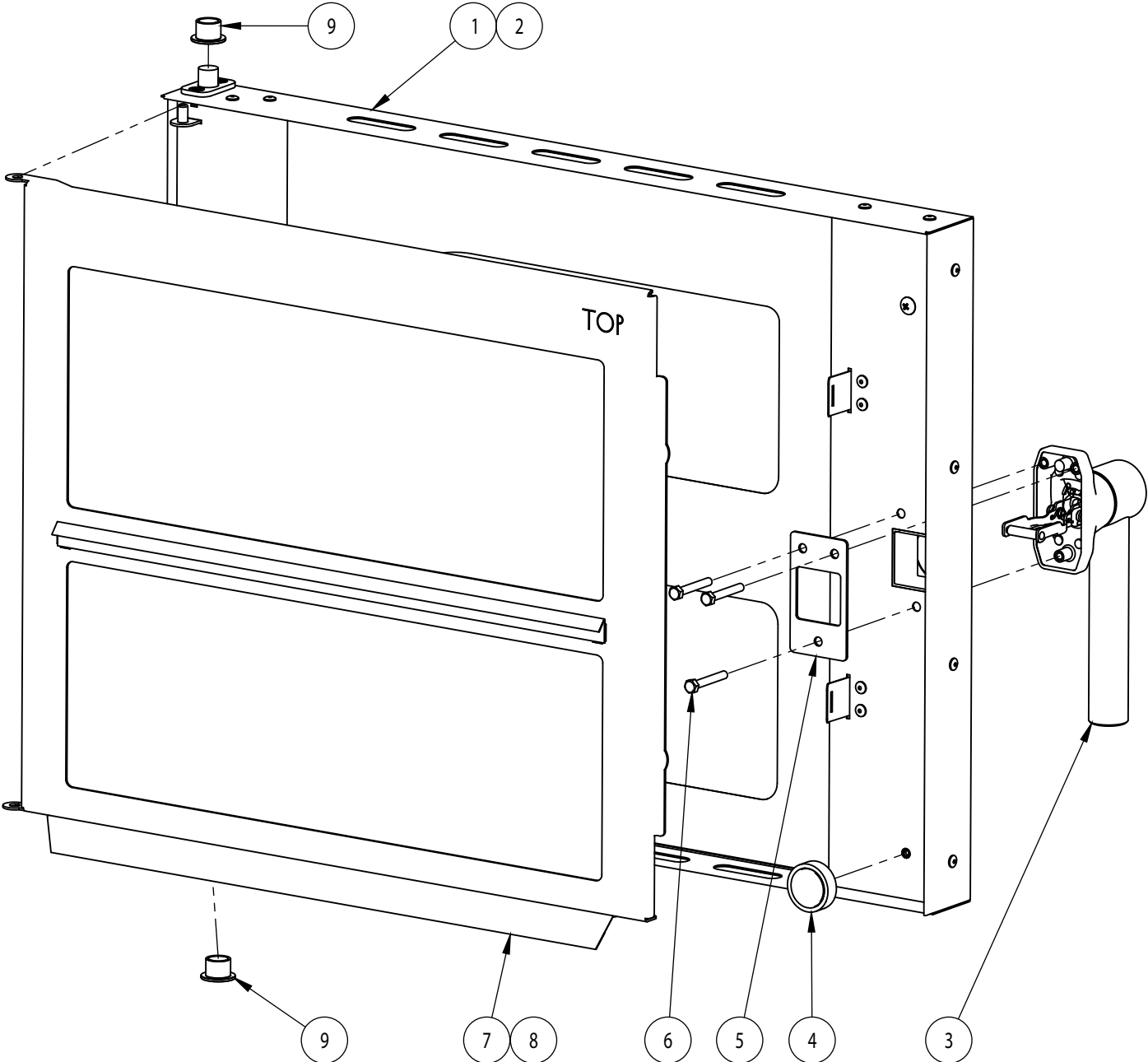
INTERNAL CAVITY



INTERNAL CAVITY

Item	P/N	Description
1	110486	REPLACEMENT BULB
2	110558	LIGHT SOCKET ASSEMBLY
3	110557	LIGHT LENS REPLACEMENT KIT, IMV4E
4	110327	ASSY, JET PLATE
5	110281	WIRE RACK
NS	110596	SHUFFLE ROD REPLACEMENT KIT

DOOR COMPONENTS

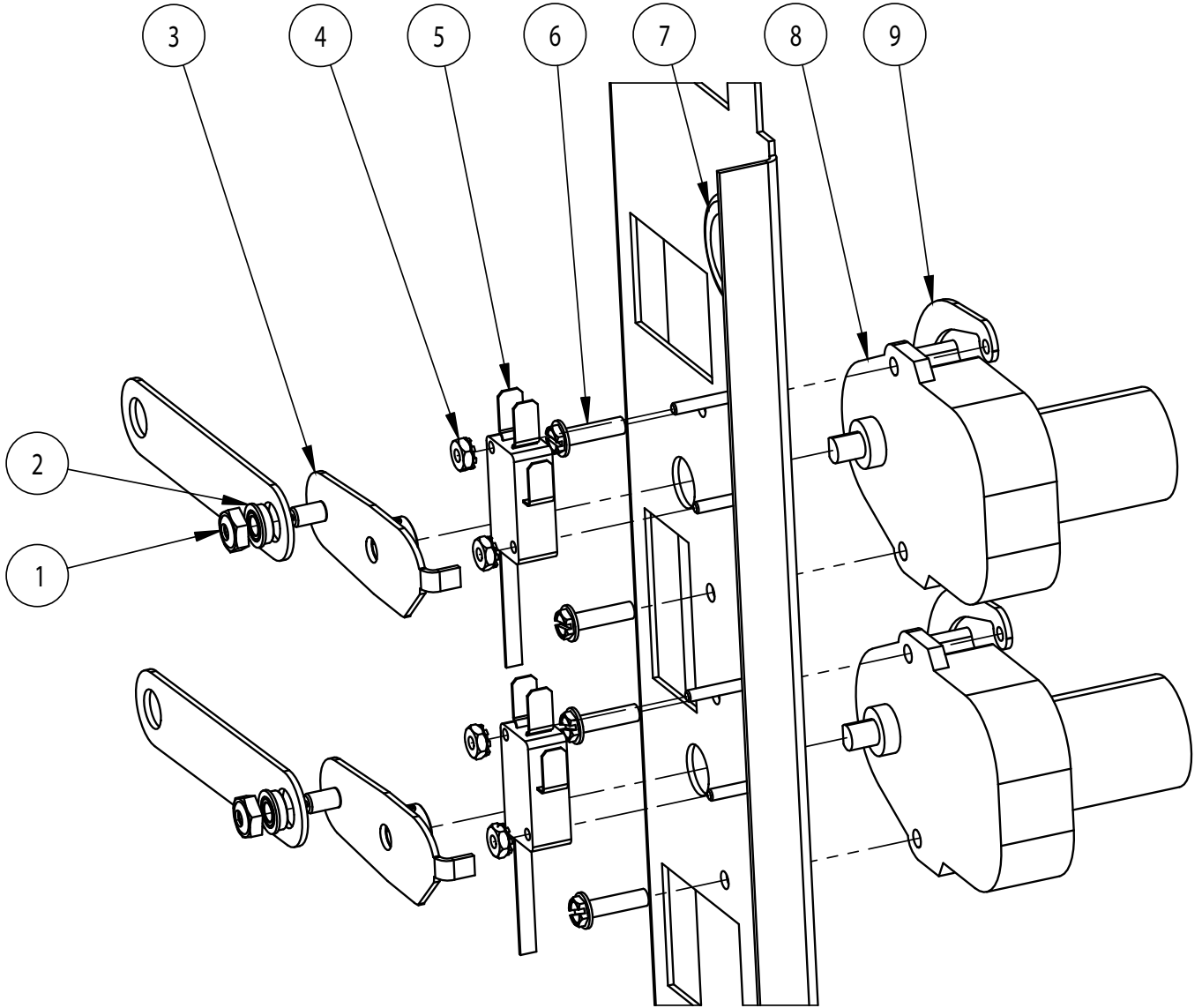


NOTE: Top door shown. Bottom door similar

DOOR COMPONENTS

Item	P/N	Description
1	110560	TOP OUTER DOOR REPLACEMENT KIT
2	110562	BOTTOM OUTER DOOR REPLACEMENT KIT
3	110459	DOOR HANDLE
4	110591	MAGNET AND CUP ASSEMBLY, IMV-4E
5	63672	PLATE, HANDLE, SQUARE
6	61932	BOLT M5 X 35mm LONG
7	110307	TOP INNER DOOR
8	110323	BOTTOM INNER DOOR
9	110583	KIT, DOOR BEARING REPLACEMENT

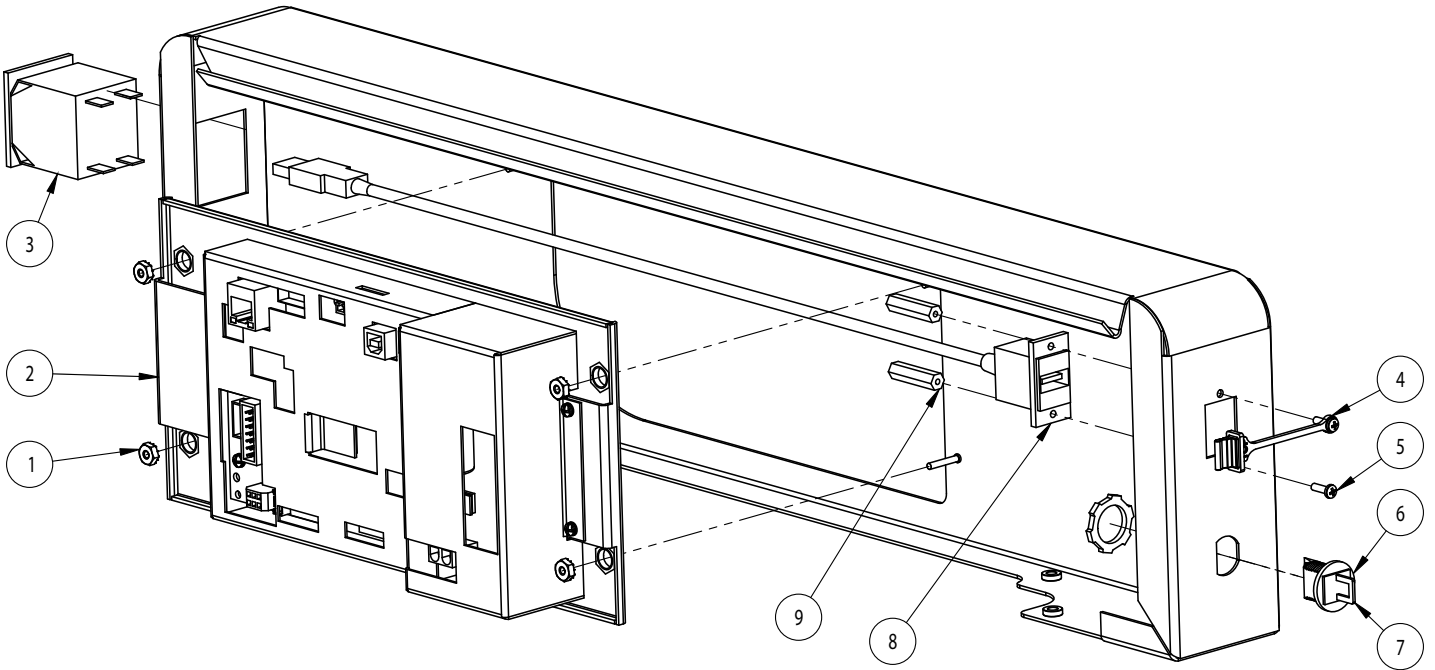
SHUFFLE MOTOR



SHUFFLE MOTOR

Item	P/N	Description
1	R8891	NUT, 10-32 HEX, NYLON (DO NOT SUBSTITUTE)
2	110574	SHUFFLE MOTOR LINKAGE BEARING REPLACEMENT
3	110575	SHUFFLE MOTOR LINKAGE REPLACEMENT KIT
4	R5481	NUT, KEPS 4-40
5	S0355	SWITCH, LONG ARM SPDT, MICRO
6	SCR500	SCREW, 8-32 X 5/8", HEX FLNG HD
7	19087	GROMMET
8	110573	KIT, SHUFFLE MOTOR REPLACEMENT
9	110369	NUT PLATE, SHUFFLE MOTOR
NS	110487	HARNESS, MTR. SW
NS	110488	HARNESS, SHUFFLE MOTOR
NS	110275	SET SCREW, 10-32 X 1/8" CUP POINT SS

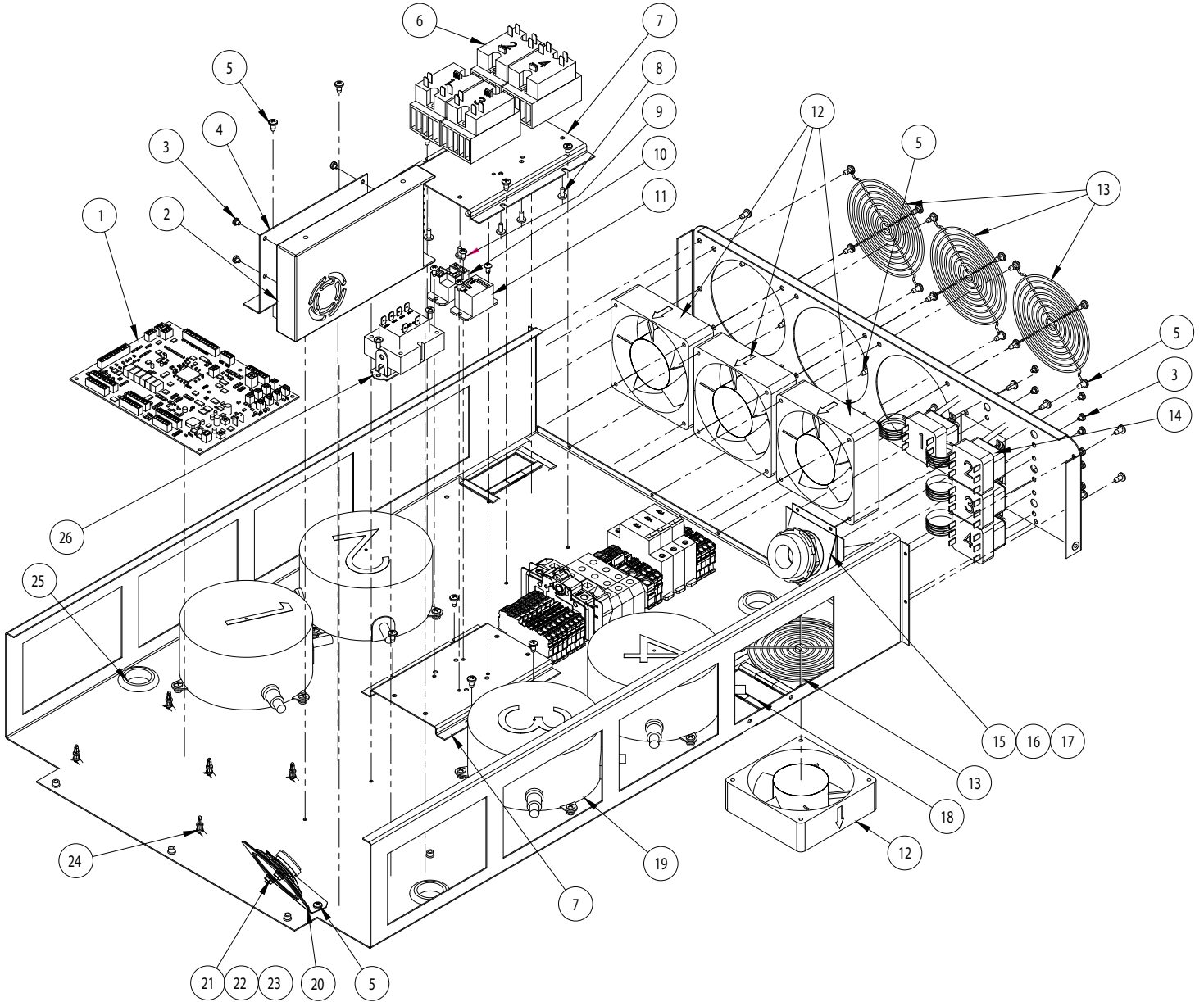
CONTROL PANEL



CONTROL PANEL

Item	P/N	Description
1	R5481	NUT, KEPS 4-40
2	110570	KIT, CONTROL MODULE REPLACEMENT (GM)
3	39688	CIRCUIT BREAKER, 20A
4	101653	DUST PLUG, USB
5	38840	SCREW, MACH, 4-40 X 3/8", SS PAN HD
6	39781	MEAT PROBE JACK
7	39782	MEAT PROBE JACK PLUG
8	59565	USB CABLE, STRAIGHT
9	59434	STANDOFF, 4-40X1"
NS	110528	DECAL, IMVECTION LOGO

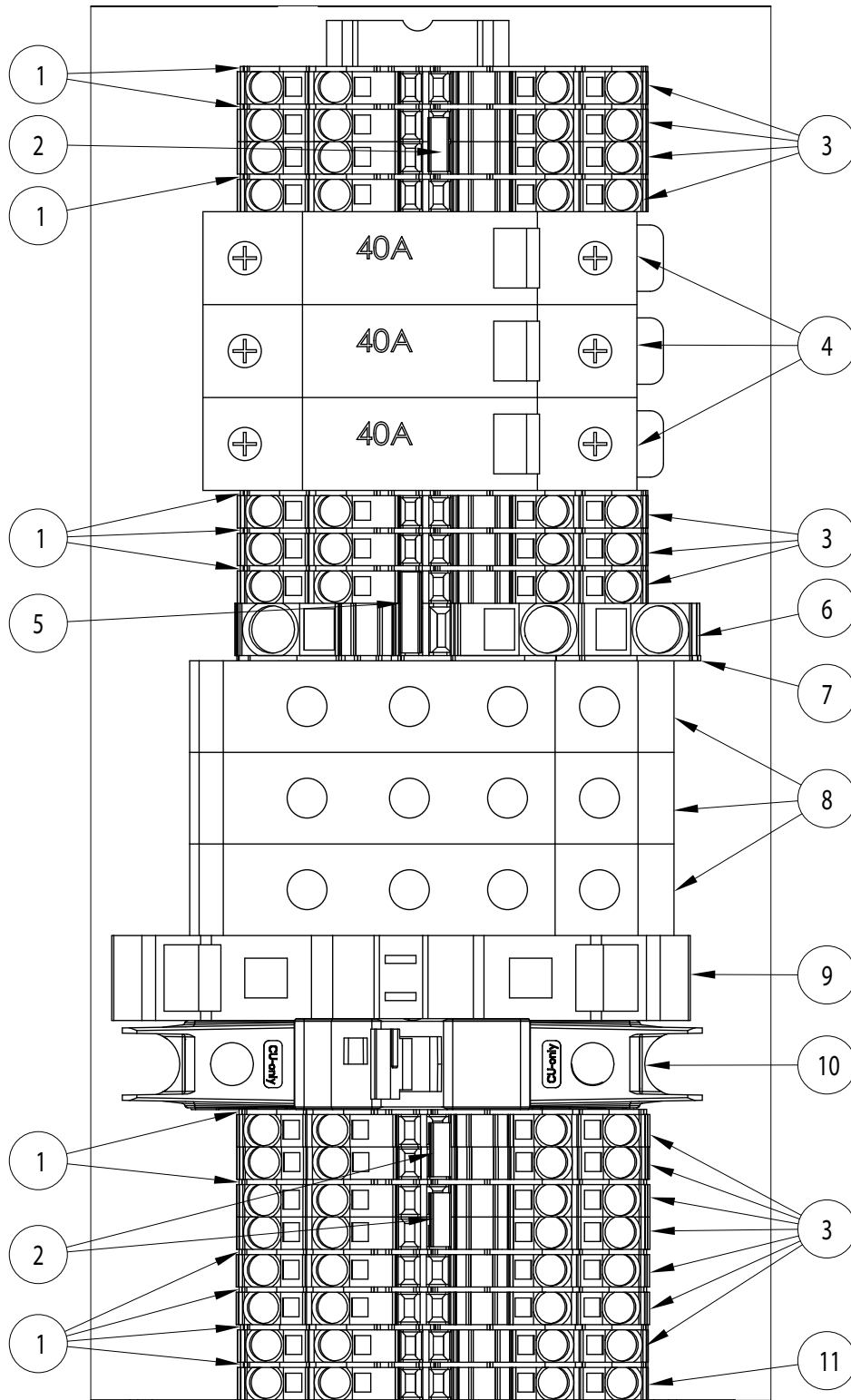
ELECTRICAL COMPARTMENT



ELECTRICAL COMPARTMENT

Item	P/N	Description
1	110399	CONTROL BOARD, IMV4E
2	110423	POWER SUPPLY, 350W, 24VDC
3	110266	SCREW, PAN HD, M4, 4mm LONG
4	110462	BRACKET, POWER SUPPLY MOUNT
5	4812	SCREW, 10-16 PAN HEAD
6	110416	SOLID STATE RELAY, 40A 2 POLE
7	110372	BRACKET, RELAY MOUNT
8	39914	SCREW, 8-32 X 3/8 TRUSS HEAD
9	53671	SCREW, 8-32 X 3/8 PAN THD CUT
10	R0174	RELAY CONTROL PSDT 24V
11	R0180	RELAY SPST NO 240V
12	M2212	AXIAL FAN
13	M0571	FAN GUARD, 4"
14	110576	HI-LIMIT REPLACEMENT KIT
15	110254	CORD MOUNT
16	59786	CORD GRIP, STRAIN RELIEF
17	110478	POWER CORD, 6AWG, NEMA 15-50P (NOT DEPICTED)
18	59378	EDGE PROTECTION
19	110342	DRIVER, BLOWER MOTOR
20	110536	BRKT, SPEAKER MOUNT
21	101480	SPEAKER, 8Ω
22	39914	SCREW, 8-32 X 3/8 TRUSS HEAD
23	52378	NUT, 8-32, FLANGED
24	18268	SPACER, NYLON
25	72385	GROMMET, 1-3/8"
26	38303	TRANSFORMER
NS	110489	HARNESS, LINE VOLTAGE
NS	110490	HARNESS, DIGI CTRL
NS	101393	COMMUNICATIONS CABLE

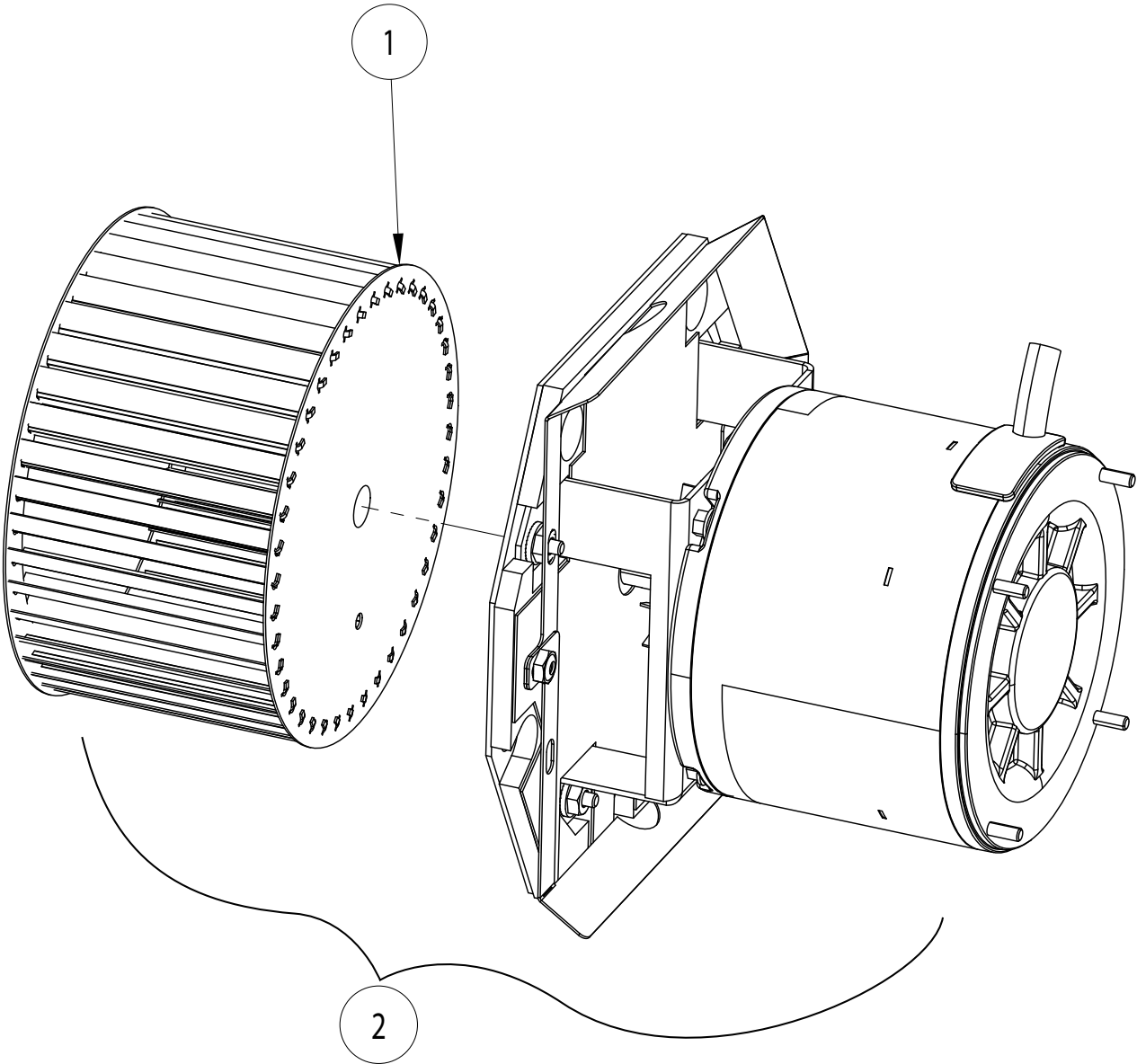
ELECTRICAL COMPARTMENT TERMINAL BLOCK ASSEMBLY



ELECTRICAL COMPARTMENT TERMINAL BLOCK ASSEMBLY

Item	P/N	Description
1	110484	END PLATE, SMALL
2	TB0106	JUMPER, 2 POSITION
3	110480	TERMINAL BLOCK, 4 CONDUCTOR
4	110477	BREAKER, SINGLE POLE 40A
5	110482	JUMPER, STEP DOWN
6	110479	TERMINAL BLOCK, 3 CONDUCTOR
7	110483	END PLATE, LARGE
8	R11114	DISTRIBUTION TERMINAL BLOCK
9	R11115	GROUND TERMINAL BLOCK, 2 CONDUCTOR
10	110433	BREAKER, SINGLE POLE 20A
11	110481	GROUND TERMINAL BLOCK, 4 CONDUCTOR

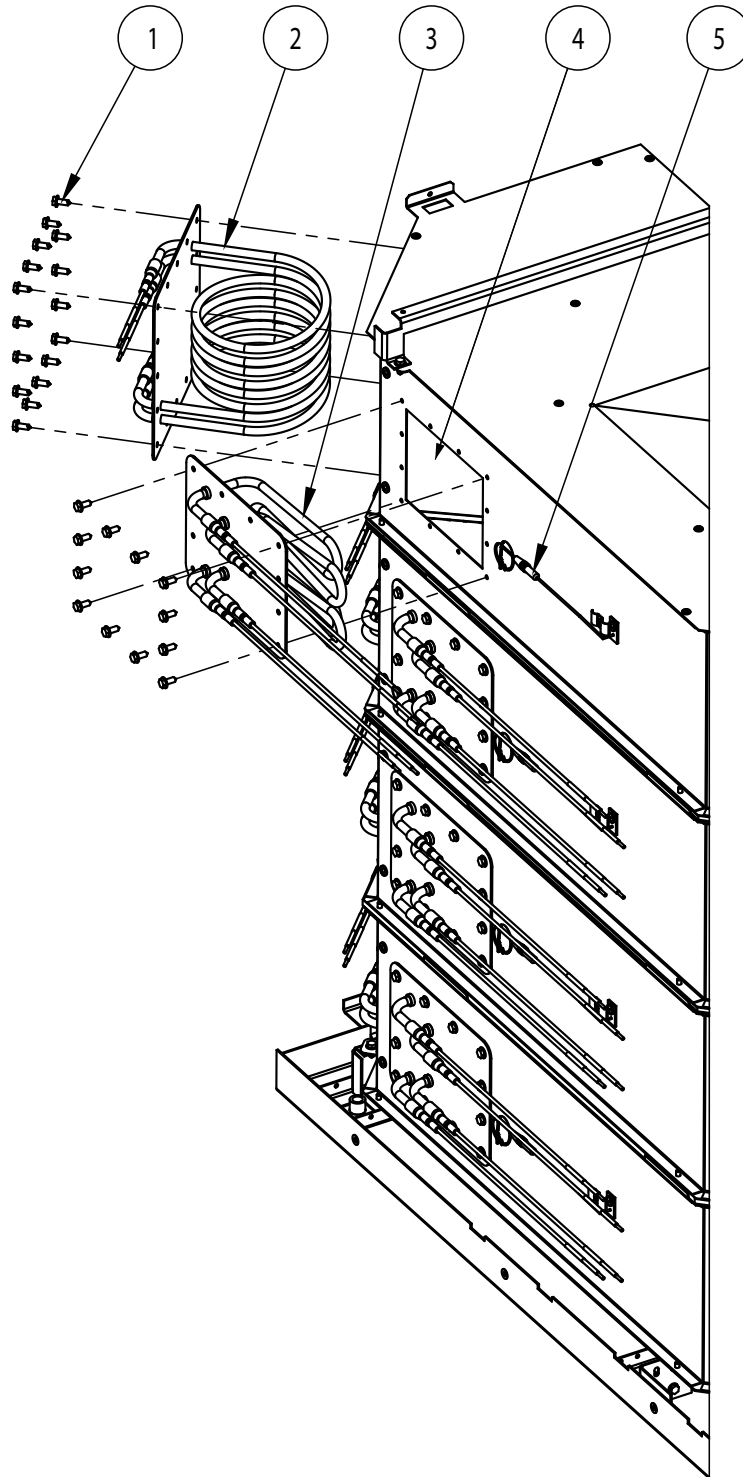
BLOWER MOTOR



BLOWER MOTOR

Item	P/N	Description
1	110578	BLOWER WHEEL REPLACEMENT KIT, IMV4E
2	110577	REPLACEMENT KIT, IMV4E BLOWER ASSEMBLY

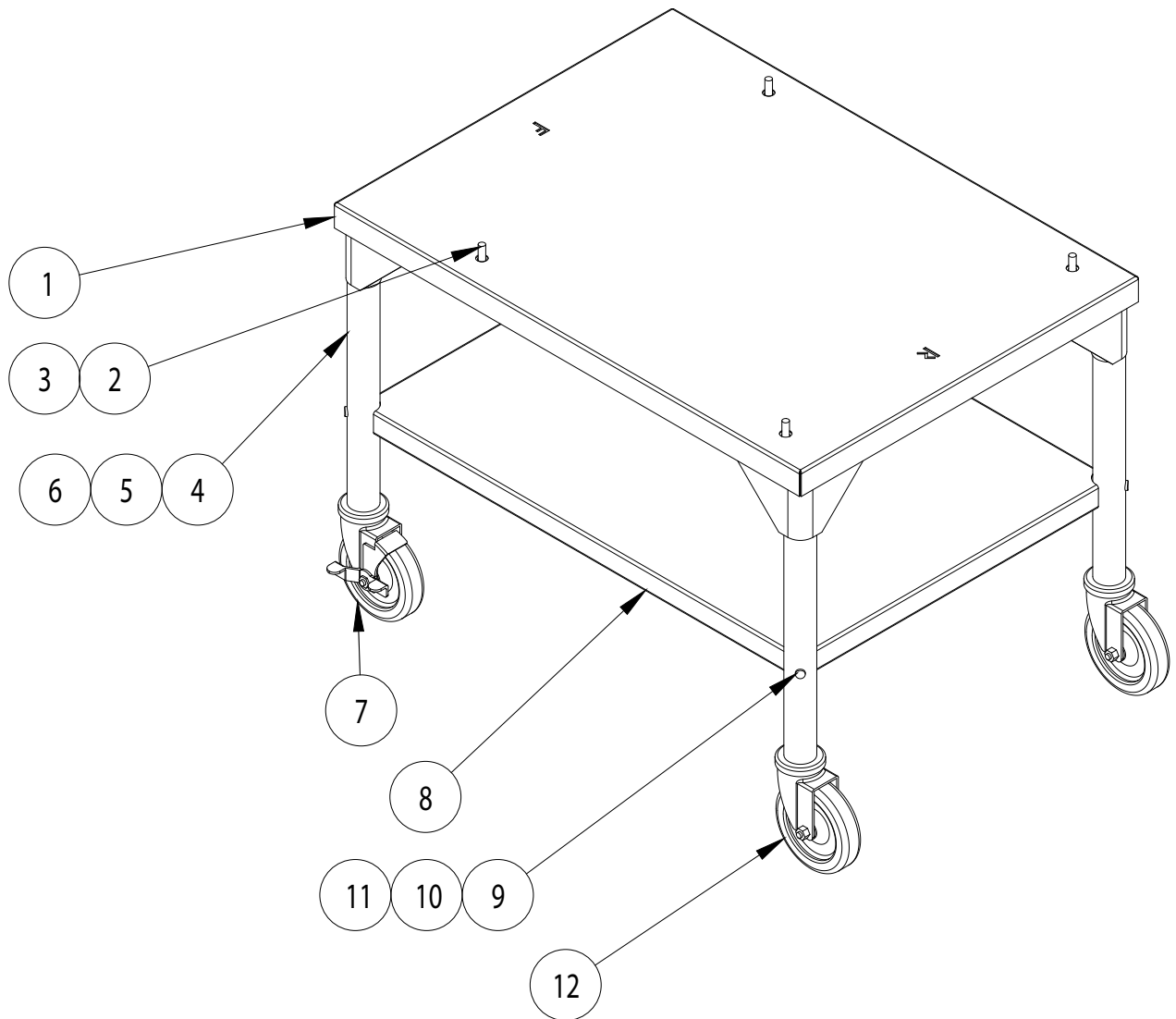
HEATING ELEMENTS



HEATING ELEMENTS

Item	P/N	Description
1	21876	SCREW, SELF DRILL, 10-16 X 1/2
2	110563	ELEMENT, HELICAL, MAIN
3	110564	ELEMENT, DOUBLE SWITCHBACK, SECONDARY
4	110566	CATALYST
5	110565	THERMOCOUPLE

STAND



STAND

Item	P/N	Description
	110532	STAND ASSY, 24" IMV4E WITH CASTERS
1	110533	STAND INTERFACE, IMV4E
2	22498	SCREW, HHC 3/8-16 X 1
3	WSH041	WASHER, 3/8", FLAT
4	10853	LEG ASSY
5	1798	WASHER, LOCK 5/16
6	6674	NUT, HEX 5/16
7	15687	CASTER, 5" WITH BRAKE
8	110534	SHELF IMV4E STAND
9	10807	BOLT, CURVED HEAD
10	1265	LOCK WASHER
11	15882	1/4 - 20 HEX NUT
12	15688	CASTER, 5" W/O BRAKE