



**CTB SERIES  
HALF SIZE ELECTRIC CONVECTION OVEN  
REPLACEMENT PARTS LIST**

**EFFECTIVE APRIL 22, 2022**

*Superseding All Previous Parts Lists.*

*The Company reserves the right to make substitution in the event that items specified are not available.*

*ERRORS: Descriptive and/or typographic errors are subject to correction.*

---

**BLODGETT OVEN COMPANY**

42 Allen Martin Drive, Essex Junction, Vermont 05452 USA Telephone: (802) 658-6600 Fax: (802) 860-3732  
[www.blodgett.com](http://www.blodgett.com)

*P/N 54768 Rev K*

## **SERIAL NUMBER LOCATION / KEY:**

***IMPORTANT: When ordering parts, please provide the model, gas type and serial number of the oven. The identification plate is located on the back of the oven.***

## **SERIAL NUMBER IDENTIFICATION CODE:**

**LA = CTB**

**MA = CTBR**

## **SERIAL NUMBER EXAMPLES**

**011915LA001**

**01/19/15 = DATE**

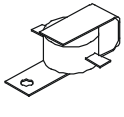
**LA = LETTER CODE FOR CTB**

**001 = FACTORY SEQUENCE**

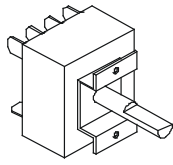
# TABLE OF CONTENTS

ELECTRICAL COMPONENTS .....	4
SOLID STATE MANUAL CONTROLS .....	6
SOLID STATE DIGITAL CONTROLS .....	7
FAN DELAY W/PULSE PLUS .....	8
COOK & HOLD CONTROLS .....	8
INTELLITOUCH II CONTROL.....	8
INTELLITOUCH CONTROL.....	8
INTELLIPLUS & INTELLIHOLD CONTROLS .....	8
CONTROLS FOR OVENS MANUFACTURED BEFORE 7/83 .....	9
CONTROLS FOR OVENS MANUFACTURED 7/83 THROUGH 9/86 .....	9
SIMPLE TOUCH CONTROL .....	10
CH102 CONTROL.....	11
EXCLUSIVE TO KFC IQ CONTROLS .....	12
EXCLUSIVE TO WENDY'S IQ CONTROLS .....	14
IQ2 CONTROLS .....	15
COMPUTER READY OVENS.....	16
STANDS, LEGS .....	16
BAKING COMPARTMENT COMPONENTS.....	16
EXTERIOR COMPONENTS .....	16
DOORS.....	17
DOOR COMPONENTS.....	17
EXCLUSIVE TO KFC CE .....	18
EXCLUSIVE TO EXPORT .....	18

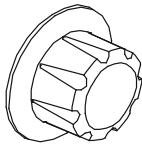
# ELECTRICAL COMPONENTS



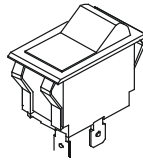
1  
20350  
Buzzer,  
240V



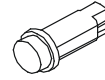
2  
18868-3 pos.  
21068-4 pos.  
Mode Selector Switch



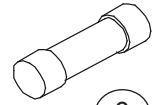
3  
16686  
Knob,  
Black



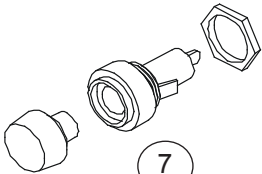
4  
30465  
Cool Down Switch,  
Rocker, Black



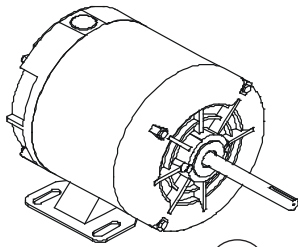
5  
16037  
Indicator  
Light



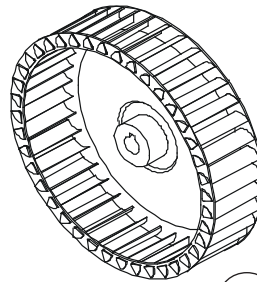
6  
20162 or  
16605  
Fuse



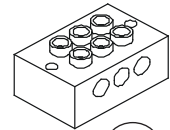
7  
20163 or  
20442  
Fuse



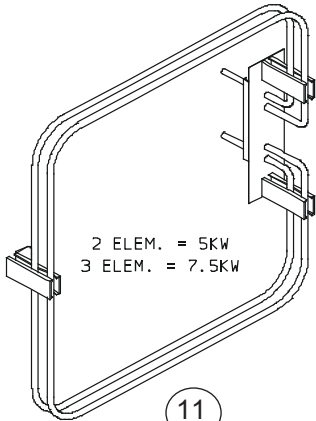
8  
32313 or  
32302  
Motor



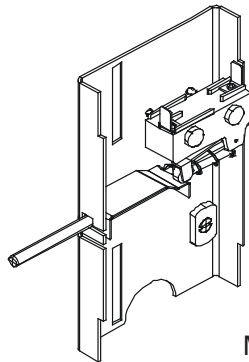
9  
6138  
Blower Wheel



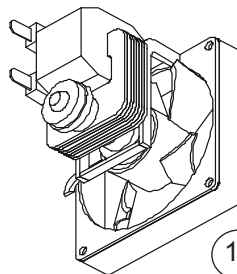
10  
11204  
Terminal  
Block



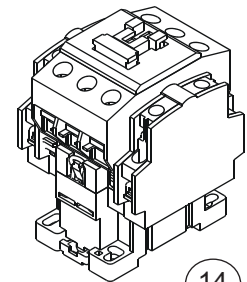
11  
19118 - 208V, 5KW  
8596 - 230V 5KW  
8595 - 240V 5KW  
19284 - 208V 7.5KW  
90097 - 230V 7.5KW  
90098 - 240V 7.5KW  
56313 - 208V 6.3KW  
56314 - 230V 6.3KW  
56315 - 240V 6.3KW  
Element Assy



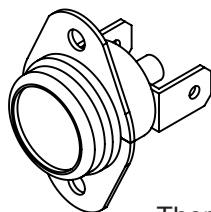
12  
16880 or  
33946  
Microswitch



13  
21430, 3" or  
23034, 4"  
Axial Fan



14  
R11087  
Contactor,  
3 Pole



15  
56760  
Thermal Switch

# ELECTRICAL COMPONENTS

Item	P/N	Description
1	20350	Buzzer, Electric 240V
2	18868	Mode Selector Switch w/o Knob, 1 SP
	21068	Mode Selector Switch w/o Knob, 2 SP
3	16686	Knob, Mode Selector Switch
4	30465	Cool Down Switch, Rocker SPDT Matt Black
5	16037	Indicator Light, 250V, Red, Round
	16605	Fuse, 10 AMP(Before 6/88 and after1/97)
6	20162	Fuse, 10 AMP (Between 6/88 and 01/20/97)
	20442	Fuse Holder (After 01/20/97)
7	20163	Fuse Holder (Between 6/88 and 01/20/97)
	16604	Fuse Holder (Before 6/88)
8	32313	Motor, 230V, 1 PH, 1/3 HP, 1 SP (for non IQ/IQ2 controls)
8	32302	Motor, 230V, 1 PH, 1/4 HP, 2 SP (for non IQ/IQ2 controls)
9	6138	Blower Wheel Assy., (8-1/2" Diameter)
10	11204	Terminal Block w/ Screws
	4888	Lug, Grounding
	34898	Cord Set Assy. w/receptacle, 3 PH
	34899	Cord Set Assy. w/receptacle, 1 PH
	37227	Harness, Element 5 KW
11	16647	Harness, Element 7.5 KW or 6.3 KW
11	19118	Element Assy., 208V, 5 KW
11	8596	Element Assy., 230V, 5 KW
11	8595	Element Assy., 240V, 5 KW
11	19284	Element Assy., 208V, 7.5 KW
11	90098	Element Assy., 240V, 7.5 KW
11	56313	Element Assy., 208V, 6.3 KW
11	56314	Element Assy., 230V, 6.3 KW
11	56315	Element Assy., 240V, 6.3 KW

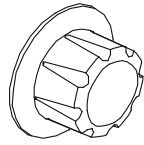
NOTE: 2 Element Rings in element assy = 5 KW  
3 Element Rings in element assy = 7.5 KW or 6.3 KW

	6177	Microswitch Plate (used with 16880)
12	16880	Microswitch Assy., Door (Before 02/14/97)
	33946	Microswitch Assy., Door (After 02/14/97)
	33286	Activator, Door Switch (Before 07/17/98) used with 33946
	34524	Activator, Door Switch (07/17/98 and After) used with 33946
13	21430	Axial Fan Kit, 3", 230V (Before 05/22/97 or S.N. 052297LA035S)

Item	P/N	Description
13	23034	Axial Fan Kit, 4", 230V (After 05/22/97 or S.N. 052297LA035S)
14	37296	Mechanical Contactor Conversion Kit, (1&3PH)
	R11087	Mechanical Contactor, 3 Pole, 40 AMP, 240V, (1 & 3PH)
NOTE: Contactors listed above for 5, 6, 8, or 6.8 KW ovens.		
15	56760	Thermal Switch, Manual Reset
	36429	Circuit Breaker
15	56760	Thermal Switch, Manual Reset
	36429	Circuit Breaker

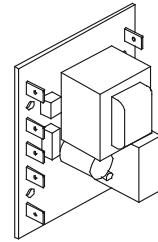
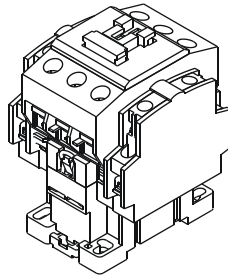
# SOLID STATE MANUAL CONTROLS

STANDARD ON OVENS MANUFACTURED AFTER 9/86



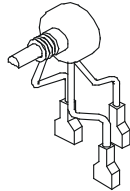
6  
16686  
Knob, Black

5  
R11087  
Contactor,  
3 Pole

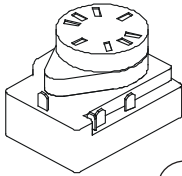
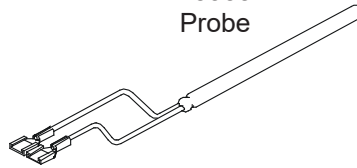


1  
18578  
Control  
Board, S.S.  
10024  
Control Board  
8 Setpoint

3  
18234  
Potentiometer

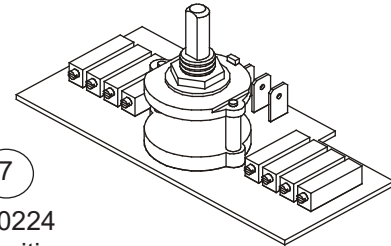


2  
18588  
Probe



4  
18226  
Timer,  
60 min, 240V

7  
100224  
8 Position  
Temp Switch

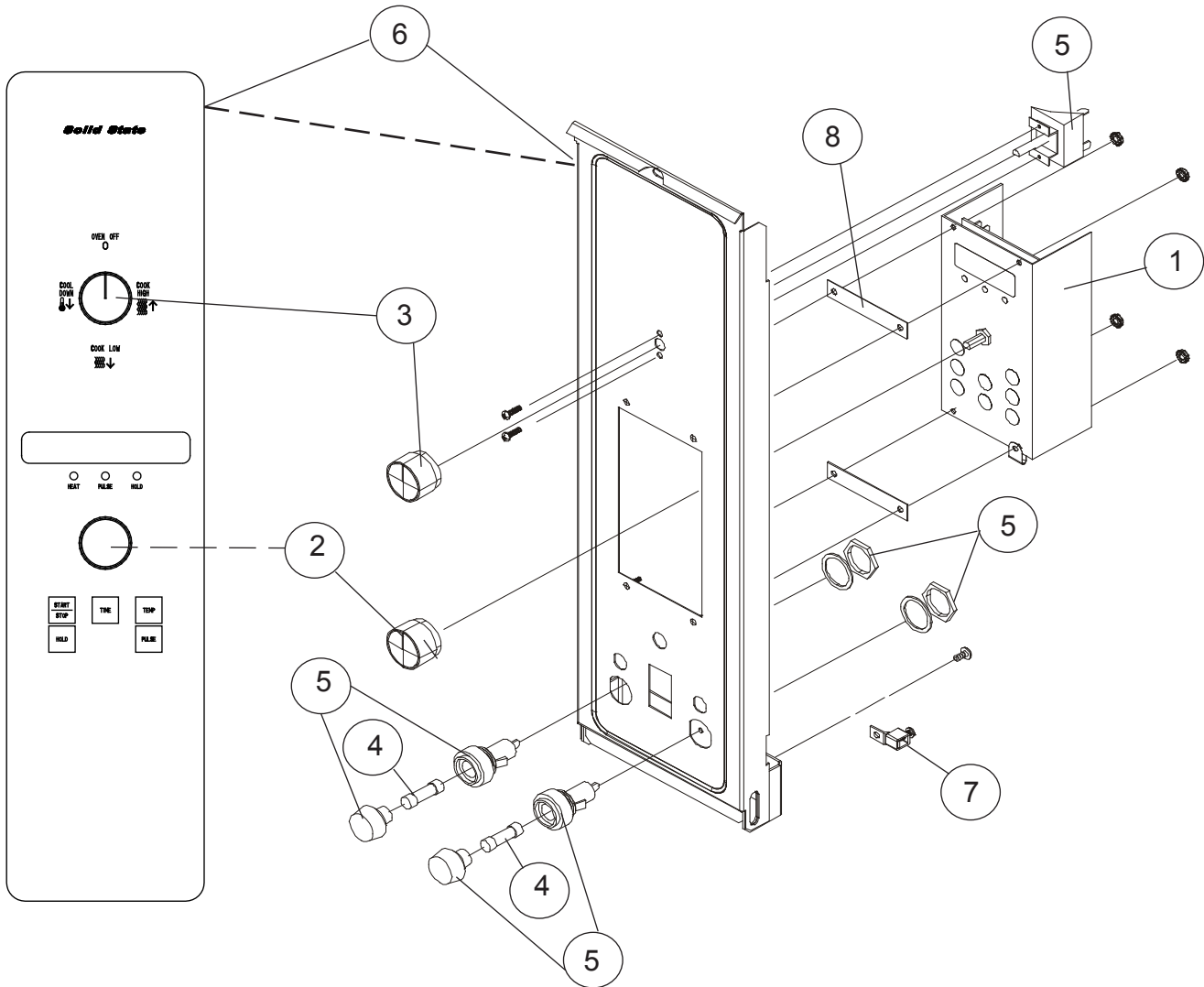


Item	P/N	Description
	20346	Temperature Controller, 3 Positions (Specify Model & Temperature Settings)
	21432	Temperature Controller, 1 Position (Specify Model & Temperature Settings)
	16645	Probe, Temperature (For 1 & 3 Position Controllers) (2 Wires)
	16542	Probe, Temperature (For 1 & 3 Position Controllers) (4 Wires)
	16536	Thermostat, KX-234-36, Back-Up
	16393	Knob, for back up Thermostat 16536
1	18578	Temperature Control Board, Solid State Infinite
	100224	Temperature Control Board, 8 Setpoint
2	18588	Probe, Temperature
3	18234	Potentiometer, Remote (Infinite Control)
7	100224	8 Position Temperature Switch
	53451	Hardees 8 Position Switch
	16686	Knob, 8 Position Temperature Switch
4	18226	Timer, 60 Minute 240V
6	16686	Knob, Timer

Item	P/N	Description
	90099	Heat Selector Switch, 3 Positions w/o Knob (Used w/20346)
6	16686	Knob, Heat Selector Switch
5	37296	Mechanical Contactor Conversion Kit
	R11087	Mechanical Contactor, 3 Pole, 40 AMP, 240 V (1 & 3 PH)
	16685	Control Decal, Lexan (3 Position)
	22018	Control Decal, Lexan (Infinite Cook Only)
	18908	Control Decal, Lexan (8 Set Point Cook), single speed (After 12/7/2008)
	16637	Control Decal, Wendy's only (3 Set Point)
	30465	Rocker Switch, DPDT (For 1or 3 set pt. only)
	55186	Panel & Decal CTB/R Infinite Temp Control, 2 speed
	52360	Control Decal w/Panel (8 Set Point), single speed (Before 12/7/2008)
	20945	Decal (8 Set Point), 2 speed (After 5/3/2010)

# SOLID STATE DIGITAL CONTROLS

## 5 KEY



Item	P/N	Description
1	30658	Controller, Time/Temp. (5 Key)
	21068	Mode Switch, 4 pos.
	18588	Probe, Temperature (see picture prior page, item 2 page 4)
2	24685	Knob, Adjust
3	24684	Knob, Mode
4	16605	Fuse, 10 AMP (Before 6/88 and after 01/20/97)
4	20162	Fuse, 10 AMP (Between 6/88 and 01/20/97)
5	20442	Fuse Holder (After 01/20/97)

Item	P/N	Description
5	20163	Fuse Holder (Between 6/88 and 01/20/97)
5	16604	Fuse Holder (Before 6/88)
	16880	Microswitch Assy., Door
	23086	Suppressor Assy.
6	52414	Control Panel & Decal Assy (Before 4-13-2010)
6	30669	Control Panel & Decal (After 4-13-2010)
7	90034	Grounding Lug
8	24931	Spacer, Control Qty 2
	36429	Circuit Breaker

## FAN DELAY W/PULSE PLUS

Item	P/N	Description
	18291	Timer, Fan Delay, 10 Minute, 240V
	18293	Timer, Fan On, 30 Minute, 240V
	18583	Timer, Solid State, Pulsing, 30 Second, 240V
	16539	Indicator Light, 250V, Amber
	18582	Relay, 3PDT, 240V w/ Bracket
	18911	Control Decal, Lexan (Infinite)

## COOK & HOLD CONTROLS

Item	P/N	Description
	17982	Timer, 12 Hour w/ Knob (Before 3/7/85)
	17863	Timer, 12 Hour w/o Knob (After 3/7/85)
	16686	Knob, Timer
	15365	Thermostat, Hold K-877-36 w/o Knob (120° - 200°) (Before 9/86)
	16392	Knob, Hold Thermostat
	20351	Temperature Controller, Hold (150° - 250°) (After 9/86)
	16686	Knob, Hold Temperature Controller
	18588	Probe, Temperature
	18868	Mode Selector Switch w/o Knob (Before 9/86)
	54477	Mode Selector Switch w/o Knob (After 9/86)
	16686	Knob, Mode Selector Switch
	16539	Indicator Light, 250V, Amber, Round, Hold
	90268	Relay, 10 AMP, 3PDT
	17926	Microswitch Assy., Door Dbl (Before 9/86)
	16608	Control Decal, Lexan (C & H) (Before 9/86)
	18907	Control Decal, Lexan (Infinite Cook & Hold) (After 9/86)

## INTELLITOUCH II CONTROL

### 33 KEY

Item	P/N	Description
	30857	Probe, Temperature
	21169	Knob, Control
	5279	Thermostat, Back-Up KX-38-36
	21675	Relay, SPDT, 240VAC
	19619	Switch, On/Off Controller Rocker, DPST, Black
	16880	Microswitch Assy., Door

## INTELLITOUCH CONTROL

### 17 KEY

Item	P/N	Description
		NOTE: Intellitouch Controller is no longer available. Please see for IQ2 page for conversion kit.
	20360	Probe, Temperature Integrated
	20112	RFI Filter (Used w/ Integrated Controller)
	20356	Transformer, 230V to 24V
	17926	Microswitch Assy., Door Double, 1SP
	20167	Control Panel & Decal Assy., (Before 10/87)
	19189	Control Panel & Decal Assy., (After 10/87)

## INTELLIPLUS & INTELLIHOLD CONTROLS

### 12 KEY & 13 KEY

Item	P/N	Description
		NOTE: Intelliplus/hold Controllers are no longer available. Please see for IQ2 page for conversion kit
	23392	Probe, Temperature
	24181	Knob, Control
	23086	Suppressor Assy.

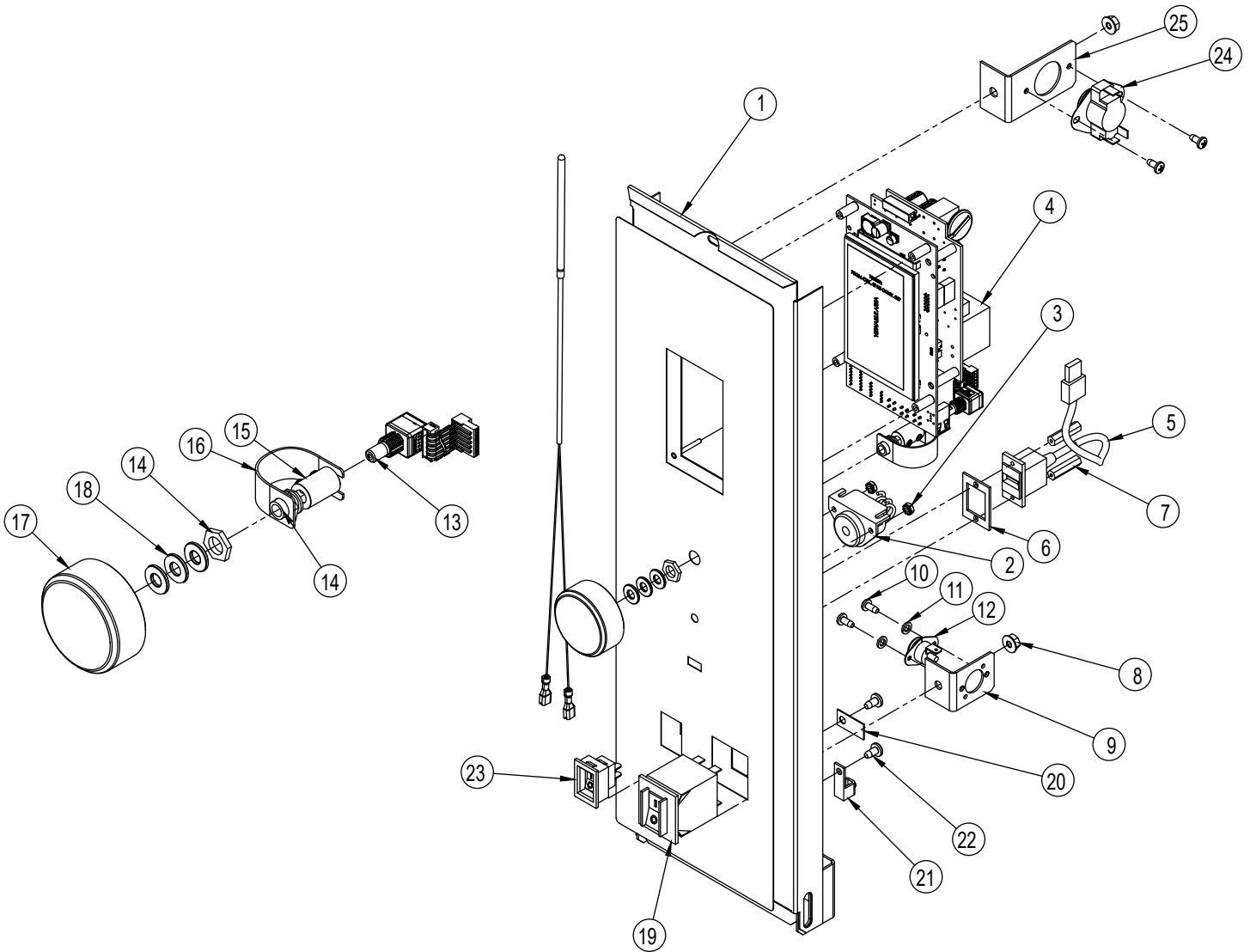
## CONTROLS FOR OVENS MANUFACTURED BEFORE 7/83

Item	P/N	Description
	5147	Timer, 60 Minute Mechanical w/ Knob
	16498	Knob, Timer 60 Minute Mechanical
	11304	Dial, 60 Minute Mechanical Timer
	16948	Timer, 60 Minute for Electric Buzzer w/ Knob
	16820	Dial Plate
	16030	Knob, 60 Minute Timer for Electric Buzzer
	5279	Thermostat, KX-38-36 w/o Knob (140° - 550°)
	11224	Dial, Thermostat
	6502	Cool Down Switch, Rocker DPDT, Red
	6500	Blower Switch, Rocker DPST, Blue
	6504	Indicator Light, 250V, Red, Rectangular

## CONTROLS FOR OVENS MANUFACTURED 7/83 THROUGH 9/86

Item	P/N	Description
	15956	Timer, 60 Minute w/o Knob (Cook Only)
	16030	Knob, Timer
	16536	Thermostat, Cook KX-234-36 w/o Knob (140° - 500°)
	17212	Knob, Thermostat
	90588	Contactator, 50 AMP
	16607	Control Decal, Lexan (Cook Only)

# SIMPLE TOUCH CONTROL

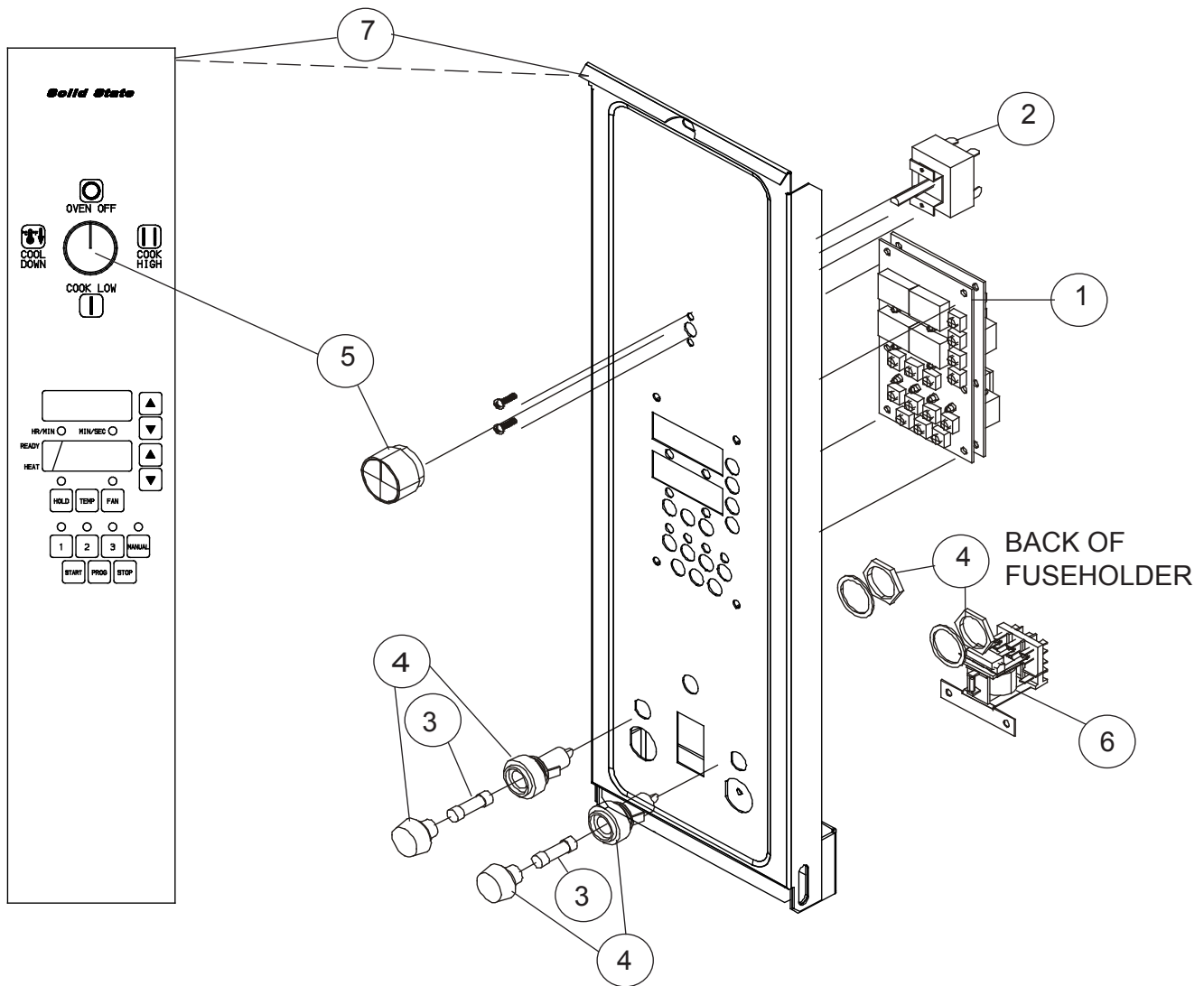


Item	P/N	Description
1	100462	PANEL & DECAL, CTB TOUCH
2	53759	BUZZER, REMOTE
3	R5481	NUT, KEPS #4-40
4	100259	PRGM CTRL, ST HS CONV, 2SP
	100292	PRGM CTRL, HARDEES ST
5	59565	USB CABLE, STRAIGHT
6	59280	SPACER, FLUSH USB
7	59434	STANDOFF, #4-40X1"
8	M3950	#10-24 HEX FLANGED NUT
9	56792	BRACKET, THERMAL SWITCH
10	20785	SCREW, TAP, 8-32 x 3/8, PH PAN HEAD
11	1296	WASHER, LOCK
12	56760	THERMAL SWITCH, MANUAL RESET
13	59282	ENCODER, MANUAL CONTROL

Item	P/N	Description
14	60337	SHAFT, LEAD IN
15	59439	COUPLING, 1/4", SET SCREW
16	60342	PLASTIC BRACE
17	60344	KNOB, ENCODER
18	R0732	WASHER, FLAT, #10
19	39688	CIRCUIT BREAKER, 20A
20	16371	PLATE, MOUNTING
21	4888	GROUND LUG
22	4812	SCREW, MACH, #10 x 3/8
23	36376	SWITCH, GAS, ON/OFF
24	36755	SWITCH, THERMAL SPDT
25	37488	BRACKET, THERMAL DISK
26	100312	HARNESS, CTB ST RETRO
27	56873	PROBE, 1K RTD 3/16 TERM

# CH102 CONTROL

## 14 KEY

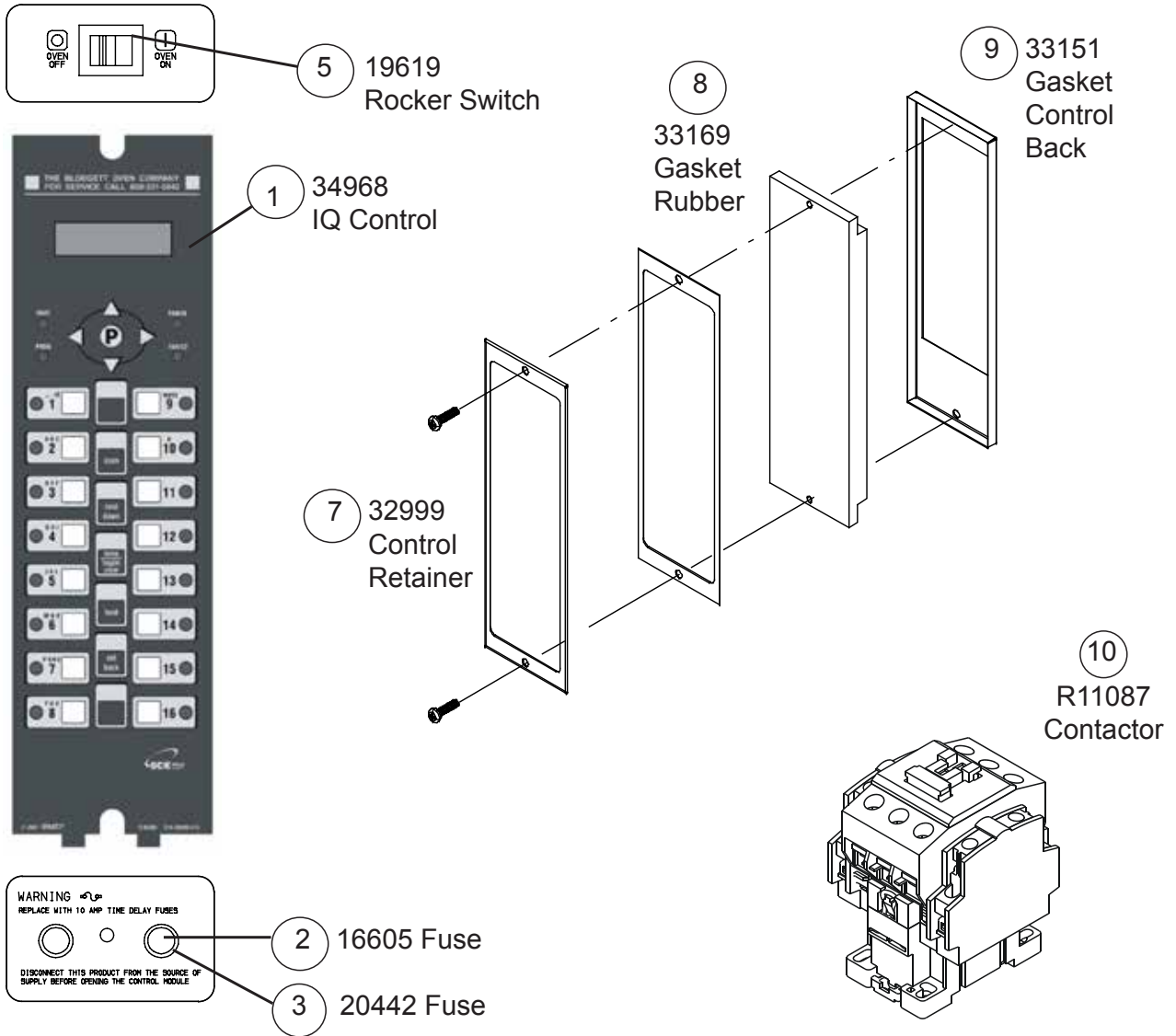


Item	P/N	Description
1	37087	Controller, CH102 14 Key
	34473	Probe, RTD 36"
2	21068	Mode Selector Switch, 4 Position
	19620	Light Switch, Rocker, DPST, Momentary
3	16605	Fuse, 10 Amp Qty 2
4	20442	Fuseholder, 30 Amp Qty2
5	24684	Knob, Adjust for Mode Selector Switch Qty 1

Item	P/N	Description
	23086	Suppressor Assy
6	21675	Relay, SPDT 240V Qty 1
	16563	Relay Bracket
	21058	Harness, Wiring Control Compartment
	34411	Harness, Wiring 2 SP
7	36290	Control Panel & Decal Assy, CH102

# EXCLUSIVE TO KFC IQ CONTROLS

1997 AND AFTER OR CTB-AP (ALL PURPOSE)



# EXCLUSIVE TO KFC IQ CONTROLS

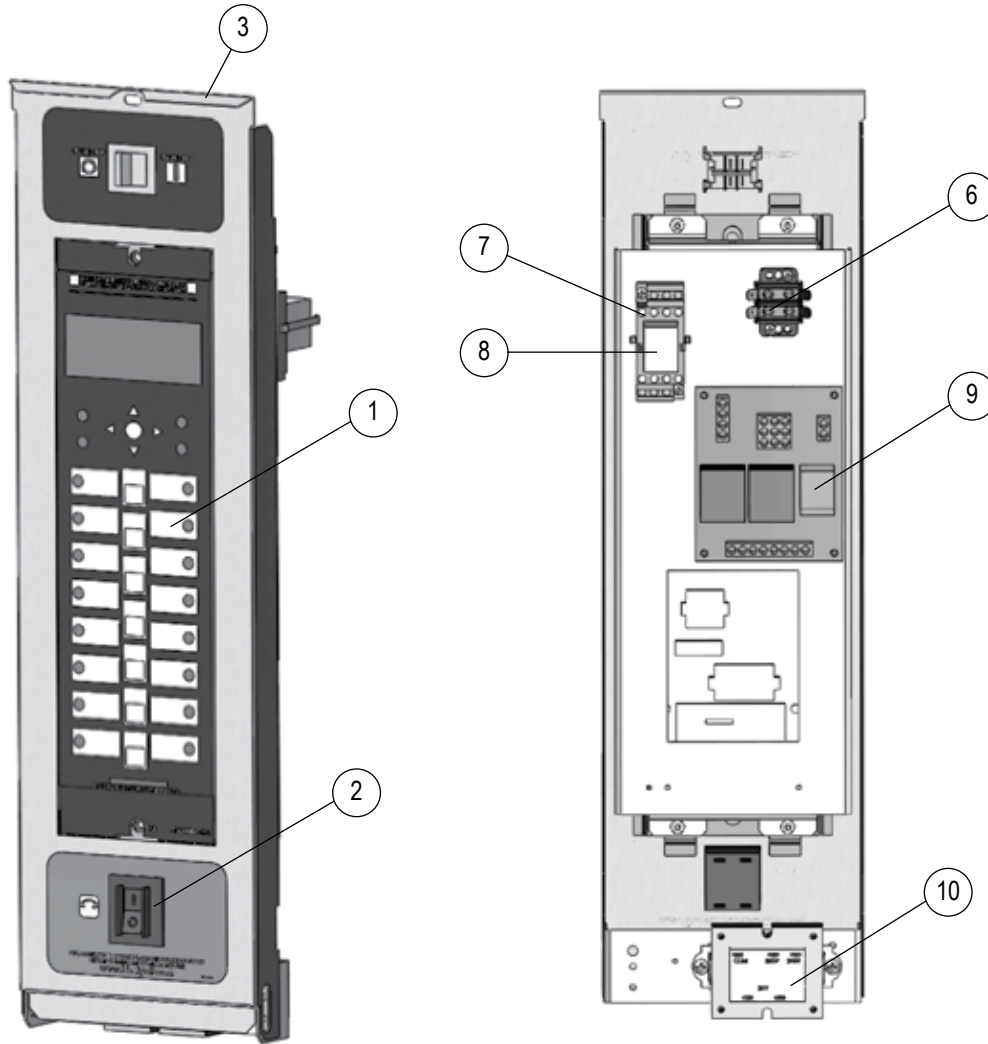
## 1997 AND AFTER OR CTB-AP (ALL PURPOSE)

Item	P/N	Description
1	34968	Control, "IQ" w/"SCK" for U.S.
1	101198	Control, "IQ" w/OLP
	34450	Motor, 230V, 2SP (for IQ Cntrl.)
	33902	Relay
	33073	Relay Board
	33074	Probe, RTD 1000 Ohm
	33088	Probe Clip
	33922	Socket, Relay
	52948	Transformer
2	16605	Fuse, 10 AMP
3	20442	Fuseholder, 30 AMP. Class CC
	33072	Control Harness 24V
	34435	Harness, IQ Cntrl.
	34436	Harness, IQ Cntrl., Rear
	34951	Harness, SCK "Communication"
	33904	MOV Assy.
5	19619	Rocker, DPST, Black (Power Switch)
	34041	US Product Strip (for IQ Controls)
	34453	Rack Support (Qty 1)
	35973	Liner, Baffle Assy.
	34935	Baffle Bracket Kit
	34875	Removeable Access Panel, Bodyside
	34454	Door Assy, RH Grease Seam

Item	P/N	Description
	34449	O-Ring (seals lower door bushings)
	34947	Perimeter Door Gasket Assy(After 4/29/99)
	34451	RTV, Red (caulking used with door gasket)
	33241	Decal, On/Off
7	32999	Control Retainer
8	33169	Gasket Retainer
9	33151	Gasket, Control Back
10	37296	Mechanical Contactor Conversion Kit, (1&3PH)
	R11087	Mechanical Contactor, 3 Pole,40 AMP,240V, (1 & 3PH)
	34430	Grease Tray Assy.
	101161	Bracket, Remote Connection*
	101163	WIFI Module*
	101164	Cable, Control to Rear*
	101165	Cable, Rear to WIFI Module*

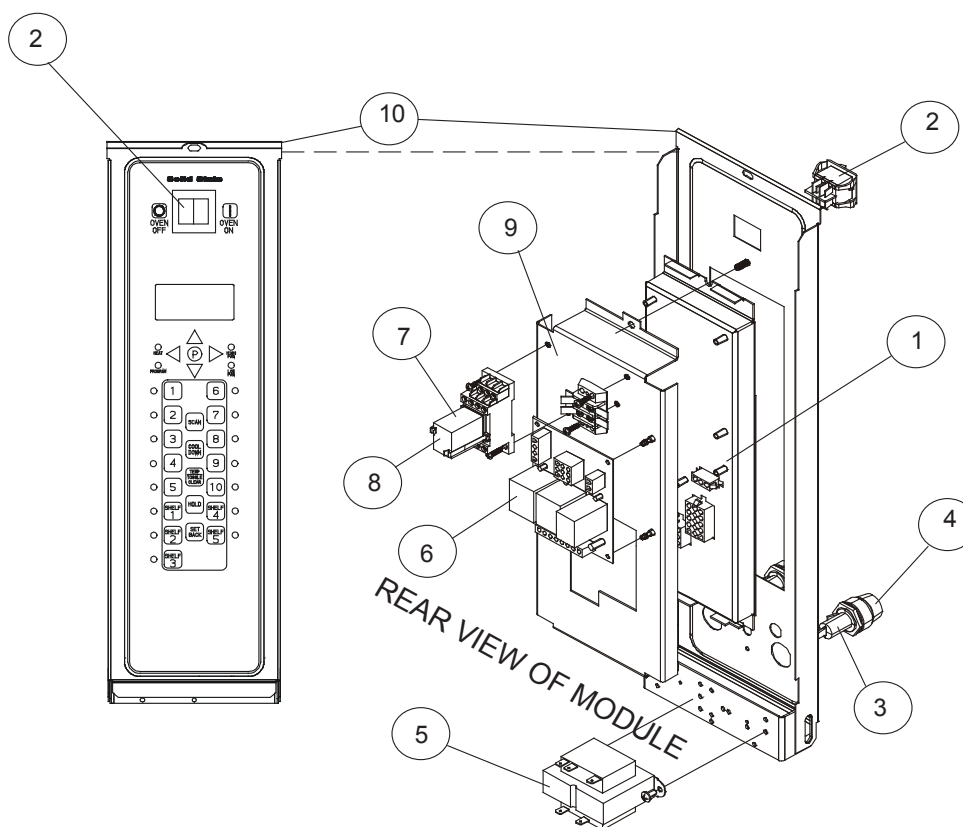
\* Applicable to OLP ovens manufactured after May 1, 2022

# EXCLUSIVE TO WENDY'S IQ CONTROLS



Item	P/N	Description
1	54826	Control, Wendy's w/Red Decal (English)
	56981	Control, Wendy's w/Red Decal (French)
2	39688	Circuit Breaker
3	19619	Rocker Switch
6	M0593	Terminal Block
7	33922	Relay Socket
8	33902	Relay, 4PDT
9	33073	Relay Board
10	52948	Transformer

# IQ2 CONTROLS



Item	P/N	Description
1	50736	Controller, IQ2 (After 06/14/2007)
1	51062	Controller, IQ2 (Before 06/14/2007)

NOTE: For ovens prior to 06/14/2007 51062 includes new panel & decal

	36995	Controller, IQ2 Burger King, U.S. only (After 8/27/2007)
	51398	Controller, IQ2 Burger King, U.S. only (Before 8/27/2007)
	33074	Probe, RTD
2	19619	Switch, Rocker, DPST
3	16605	Fuse
4	20442	Fuseholder
	36429	Circuit breaker, 10A
5	52948	Transformer
6	33073	Relay Board
7	33902	Relay, Logic
8	33922	Socket, Relay
	33072	Harness, Control 24V
	34435	Harness, Controller IQ2
9	M0593	Terminal Block
10	37707	Panel & Decal Assy (Before 06/14/2007)
	51061	Panel & Decal Assy (After 06/14/2007)
	57684	Panel & Decal Assy., IQ2, Burger King (after 6/14/07)

Item	P/N	Description
	34450	Motor
	32999	Control Retainer
	51341	Controller, IQ2, Barnes & Noble (after 8/27/07)
	51342	Controller, IQ2, Barnes & Noble (before 8/27/07)
	58493	Controller, IQ2, Bob Evans
	33169	Gasket, Rubber
	33151	Gasket, w/Control Back
	36729	IQ2 Conversion Kit (From Intellitouch) 1SP 1 PH 5 KW
	36724	IQ2 Conversion Kit (From Intellitouch) 1SP 1 PH 7.5 KW
	36727	IQ2 Conversion Kit (From Intellitouch, Intellihold or Intelliplus) 2SP 1 or 3 PH 5 & 7.5 KW
	37076	IQ2 Conversion Kit (From Intellitouch, Burger King Only) 1SP 1 PH 5 KW
	37077	IQ2 Conversion Kit (From Intellitouch, Burger King Only) 1SP 1PH 7.5 KW
	37036	IQ2 Conversion Kit (From Intellitouch, Burger King Only) 2SP 1 or 3 PH 5 & 7.5 KW

NOTE: Conversion Kits above include all components to convert your unit. You may order parts separately after conversion is completed.

## COMPUTER READY OVENS

### FASTRON DIGITAL TIMER - KFC

Item	P/N	Description
	16542	Probe, Temperature (Dual 4 Wire) for 3 Position & 1 Position Boards
	16645	Probe, Temperature (2 Wires) for 8 Set Point and Infinite Boards
	17925	Cable Extension (For Single Oven)
	22929	Control Decal, KFC Only ( Pos. w/o timer)
	37296	Mechanical contactor conversion kit (1 or 3 ph)
	NOTE: The Fastron Digital Timer on the side or top of your oven is not supplied or serviced by Blodgett. If you have issues with this, please contact Fast.	

## STANDS, LEGS

Item	P/N	Description
	11993	Stand, 5-3/4" Stainless w/Legs
	37774	Stand, 5-3/4" Stainless w/casters
	10857	Stand, 7" Stainless
	18479	Stand, 16" Stainless w/Shelf
	10856	Stand, 19" Stainless w/Shelf
	10855	Stand, 24" Stainless w/Shelf
	10854	Stand, 33" Stainless w/Shelf
	34024	Stand, 11" Stainless w/Shelf & Adjustable Casters (KFC Only)
	34025	Stand, 19" Stainless w/Shelf & Adjustable Casters (KFC Only)
	18482	Stand, 16" Stainless w/ Shelf & Casters
	11437	Stand, 19" Stainless w/ Shelf & Casters
	15151	Stand, 24" Stainless w/ Shelf & Casters
	33940	Stand, 28" No Shelf (Burger King Only)
	15153	Stand, 33" Stainless w/ Shelf & Casters
	30028	Stand, 33" Stainless w/Feet and Rack
	36601	33" Stand with Casters and Rack Guides
	20435	Legs, 4" w/ Bolts,S/S (Set of 4)
	20497	Shelf for Stand, S/S w/hardware
	16002	Castors (Set of 4)
	33940	Stand, 28 ", ( Burger King Only)
	36874	24" Open Stand w/Rack Supports and feet
	36875	24" Open Stand w/Rack Supports and Castors

## BAKING COMPARTMENT COMPONENTS

Item	P/N	Description
	22637	Rack, w/ball stops, Each, 20-7/8" x 14-5/8"
	8590	Rack Support, Set of 2 (Before 8/91)
	31311	Rack Support, Set of 2 (After 8/91)
	20353	Thermostat Bulb Clip (Each)
	6056	Interior Baffle (Blower Wheel Cover) CTB S/S
	35972	Interior Baffle (Blower Wheel Cover) CTB Porc.
	9543	Interior Baffle (Blower Wheel Cover) CTBR S/S
	35973	Interior Baffle(Blower Wheel Cover) CTBR Porc.
	20799	Baffle Support Assy. w/ Screws
	35934	Baffle Bracket
	9704	Screen Assy, Baffle

## EXTERIOR COMPONENTS

Item	P/N	Description
	6433	Crown Assy.
	90086	Nameplate, Blodgett
	8585	Steam Vent Box w/ Screws for CTB-1
	90092	Steam Vent Riser w/ Screws for CTB-2 S/S
	18699	Access Panel, S/S (Removeable Bodyside) (All units Before 07/01/98)
	34875	Access Panel, S/S (Removeable Bodyside) CTB-AP (07/01/98 and after)
	34876	Access Panel, S/S (Removeable Bodyside) CTB (07/01/98 and after) w/o motor clearance extension
	34877	Access Panel, S/S (Removeable Bodyside) CTBR (07/01/98 and after) w/o motor clearance extension
	16002	Castors (Set of 4)
	18065	Bolts, Connecting CTB-2, Set of 2
	36065	Bodyside, Removeable CTB1 w/motor clearance extension
	34452	Bodyside, Removeable CTBR1 w/motor clearance extension
	59426	Heat Shield Kit

## DOORS

## DOOR COMPONENTS

Item	P/N	Description
------	-----	-------------

### **MANUFACTURED AFTER 9/86**

◆	19607	Door Assy., Glass CTB
◆	19609	Door Assy., Glass CTBR
◆	19608	Door Assy., Solid CTB
◆	19610	Door Assy., Solid CTBR

### **MANUFACTURED BETWEEN 1/85 & 9/86**

◆	17947	Door Assy., Glass CTB
◆	17949	Door Assy., Glass CTBR
◆	17948	Door Assy., Solid CTB
◆	17950	Door Assy., Solid CTBR

◆	17807	Door Assy., Roller Latch Conv. Glass CTB
◆	17810	Door Assy., Roller Latch Conv. Glass CTBR
◆	17808	Door Assy., Roller Latch Conv. Solid CTB
◆	17809	Door Assy., Roller Latch Conv. Solid CTBR

◆ Doors are not returnable

Item	P/N	Description
------	-----	-------------

	8589	Handle, Door 13"
	19260	Gasket, Door Perimeter CTB (Manufactured between 9/86 and 5/16/2010)
	54849	Gasket, Door Perimeter CTB (Manufactured After 5/16/2010)
	20735	Gasket, Door Perimeter CTBR (Manufactured between 9/86 and 5/16/2010)
	54850	Gasket, Door Perimeter CTBR (Manufactured After 5/16/2010)
	17862	Gasket, Door Perimeter (Manufactured Between 1/85 & 9/86)
	11495	Gasket, Door Perimeter (Manufactured Before 1/85)
	9036	Window Assy., Door (17-1/8" x 10")
	9035	Window Tool (comes with window)
	16880	Microswitch Assy., Door (Manufactured Before 2/14/97)
	33946	Microswitch Assy., Door (Manufactured After 2/14/97)
	33286	Door Pin Activator (Between 2/14/97 & 7/17/98)
	34524	Door Pin Activator (7/17/98 and after)
	17946	Door Roller Assy. CTB & CTBR (on Door) (Manufactured After 9/86)
	17944	Door Roller Assy. CTB (on Door) (Manufactured Before 9/86)
	17945	Door Roller Assy. CTBR (on Door) (Manufactured Before 9/86)
	17865	Latch, Roller w/ Screws (on Oven) Used with 17946, 17944, 17945
	90087	Door Catch, Spring Clip (Manufactured Before 1/85)
	8583	Door Catch, Striker Plate (Manufactured Before 7/83)
	8584	Door Catch, Ball Plunger w/ Nut (Manufactured Before 7/83)
	5742	Spanner Key, Door Catch (Manufactured Before 7/83)
	8594	Hinge Pin w/ Bolts
	90017	Washers, Door, Set of 2 (Manufactured After 9/86)
	90004	Bushings, Door Hinge, Set of 2 (Manufactured After 9/86)
	912	Bushing, Welded, Qty. 1 (Manufactured Before 9/86)
	11695	Washers, Door, Set of 12 (Manufactured Before 7/83)

# EXCLUSIVE TO KFC CE

## CTB-AP (ALL PURPOSE)

# EXCLUSIVE TO EXPORT

Item	P/N	Description
1	34968	Control, "IQ" w/"SCK" CE (After 4/22/2007)
	34450	Motor, 230V, 2SP (for IQ Cntrl) CE
	90097	Element Assy, 230V 5KW CE
	8596	Element Assy, 230V, 7.5KW CE
	36066	Thermostat, High Limit Kit (Manual Reset CE
	M0593	Terminal Block CE
	M3167	Fuseholder, Type HTB-36M CE (for M8593)
	M8593	Fuse, Export 10 Amp CE
	M8662	Fuseblock, 5mm x 20mm CE (for M6899)
	52948	Transformer, 208/240V-24V CE
	19619	Rocker Switch, Black DPST CE
	33072	Control Harness, 24V CE
	33073	Relay Board CE
	33904	MOV Assy CE
	33156	Rear Communication Port CE
	33241	Decal, On/Off CE
	33902	Relay CE
	33922	Socket, Relay CE
	33923	Clip, Relay CE
	34435	Harness, IQ Cntrl. CE
	35703	Fuse, 250V 1.0 AMP CE
	34453	Rack Support (Qty 2)
	35973	Liner, Baffle Assy.
	34935	Baffle Bracket Kit
	34875	Removeable Access Panel, Bodyside
	34454	Door Assy, RH Grease Seam
	34449	O-Ring Gasket (seals lower door bushings)
	34947	Perimeter Door Gasket Assy (After 4/29/99 or S.N. 042999MA019S)
	34451	RTV, Red (caulking used with door gasket)
7	32999	Control Retainer
8	33169	Gasket Retainer
9	33151	Gasket, Control Back

Item	P/N	Description
	20084	Timer, 60 Minute, 240V, 50 HZ
	18582	Relay, 3PDT, 240V
	33095	Block, Terminal, 6 Pole CE
	37297	Mechanical contactor conversion kit (1 or 3 ph), all export except Japan
	52265	Mechanical contactor conversion kit (1 or 3 ph), Japan only
	R11087	Contactor 40A mechanical, all export except Japan
	52164	Contactor 40A mechanical, Japan only
	36066	Thermostat, High Limit Kit (Manual Reset) CE
	M3167	Fuseholder, Type HTB-36M CE (for M8593) (Manufactured Before 12/2/2008)
	M8593	Fuse, Export 10 Amp CE (Manufactured Before 12/2/2008)
	33298	Fuse, 250V, 50ma, CE
	8596	Element Assy, 230V 5 KW, 2 Ring Element
	90097	Element Assy, 230V 7.5 KW, 3 Ring Element
	8595	Element Assy, 240V, 5KW, 2 Ring Element (Great Britain only)
	90098	Element Assy, 240V, 7.5KW, 3 Ring Element (Great Britain)
	56314	Element Assy, 230V, 6.3KW, 3 Ring element
	M3810	Tube Clamp 1/8" CE
	24684	Knob, Control Infinite CE
	36429	Circuit Breaker (Manufactured After 12/2/2008)
	30669	Panel & Decal, SSD (Manufactured After 12/2/2008)
	52414	Panel & Decal, SSD (Manufactured Before 12/2/2008)
	52653	Panel & Decal Burger King IQ2 (Manufactured Before 8/27/2007)
	52652	Panel & Decal Burger King IQ2 (Manufactured After 8/27/2007)
	52654	Control & Panel Burger King IQ2 (Manufactured Before 8/27/2007)
	52651	Control & Panel Burger King IQ2 (Manufactured After 8/27/2007)