



# STAINLESS STEEL Liquor Display Cabinet 21" Wide Units

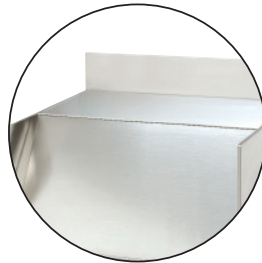
Item #: \_\_\_\_\_ Qty #: \_\_\_\_\_

Model #: \_\_\_\_\_

Project #: \_\_\_\_\_



**CRLR-24  
Shown**



**Optional Locking Cover  
Available - Includes  
Padlock & 2 Keys**

### FEATURES:

- Five tiered steps to display liquor bottles.
- Steel straps secure bottles on steps.
- 4" backsplash.
- Stainless steel legs with adjustable plastic bullet feet.
- Optional stainless steel cover includes padlock and two keys.

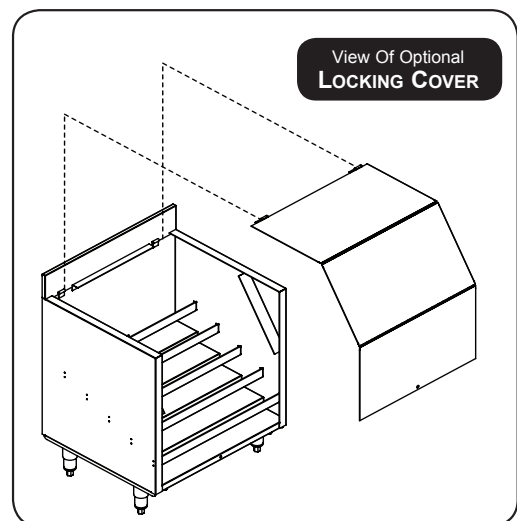
### MATERIAL:

- Interior & Sides:** 20 gauge, 300 stainless steel
- Straps:** 18 gauge, 300 stainless steel
- Backsplash:** 22 gauge, 300 stainless steel
- Legs:** 1 5/8" O.D. 16 gauge stainless steel with 1" adjustable plastic bullet feet

### OPTIONAL STAINLESS STEEL COVERS:

- Includes Padlock & Two Keys
- LC-12** - 12" removable stainless steel cover
- LC-18** - 18" removable stainless steel cover
- LC-24** - 24" removable stainless steel cover
- LC-30** - 30" removable stainless steel cover
- LC-36** - 36" removable stainless steel cover

<b>21" WIDE Model #</b>	<b>Overall Length (L)</b>	<b>Approx. Bottle Capacity</b>	<b>Approx. Weight</b>	<b>Approx. Cu. Ft.</b>
CRLR-12	12"	15	35 lbs.	7
CRLR-18	18"	20	36 lbs.	10
CRLR-24	24"	30	42 lbs.	13
CRLR-30	30"	35	47 lbs.	14
CRLR-36	36"	45	50 lbs.	15



**Customer Service Available To Assist You 1-800-645-3166 8:30 am - 7:00 pm E.S.T.**

For Orders & Customer Service:  
Email: [customer@advancetabco.com](mailto:customer@advancetabco.com) or Fax: 631-242-6900

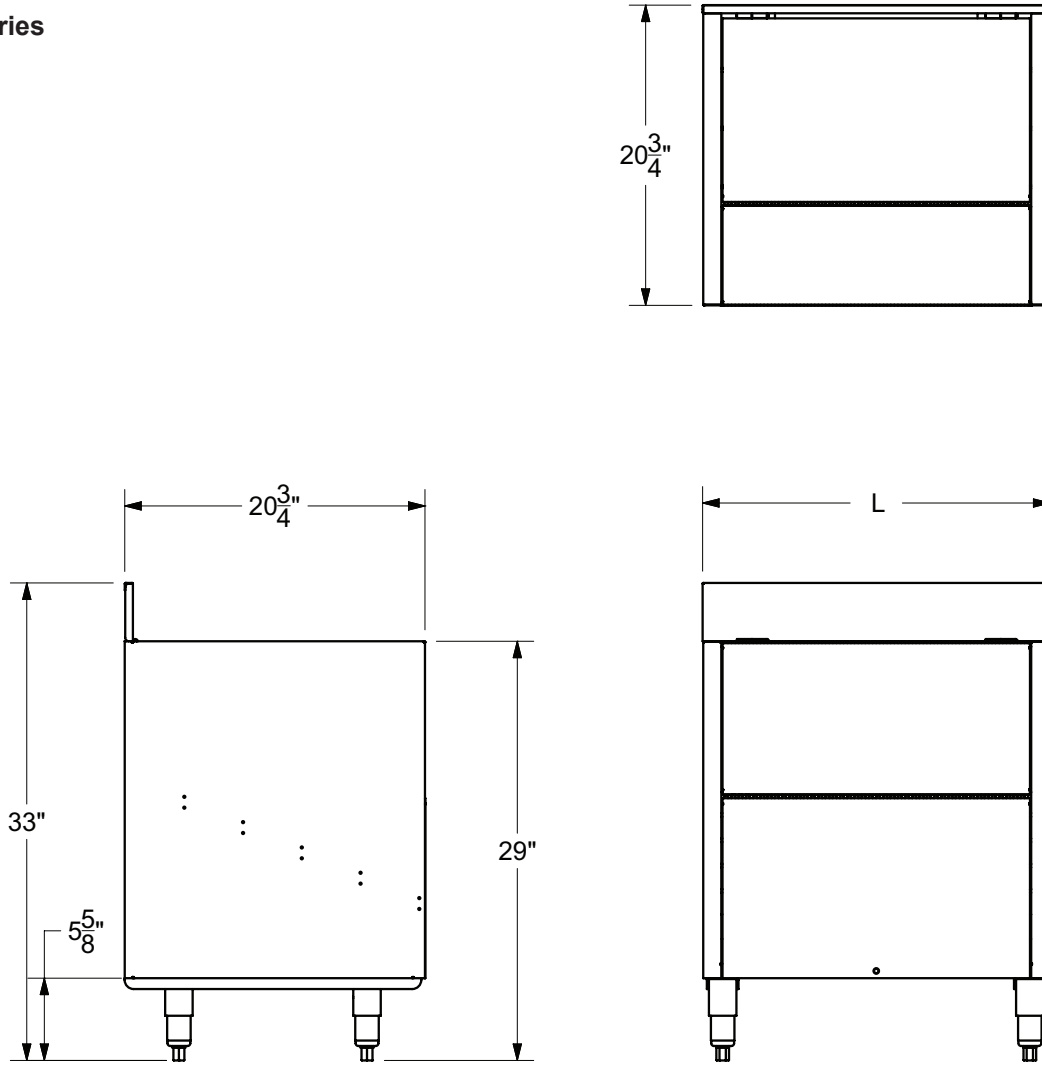
For Smart Fabrication™ Quotes:  
Email: [smartfab@advancetabco.com](mailto:smartfab@advancetabco.com) or Fax: 631-586-2933

# DIMENSIONS and SPECIFICATIONS

TOL Overall:  $\pm .500''$  Interior:  $\pm .250''$

ALL DIMENSIONS ARE TYPICAL

## CRLR Series



## Optional Stainless Steel Cover (LC Series)

