



STAINLESS STEEL

FABRICATED FLOOR MOP SINKS

Item #: _____ Qty #: _____
 Model #: _____
 Project #: _____



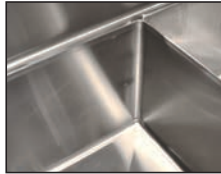
Standard Mop Sink
9-OP-20 Shown



Drop Front Mop Sink
9-OP-40DF Shown



Notched Out Front Allows Ease of Emptying Mop Bucket



Fabricated Bowls are Welded Together at the Seams

FEATURES:

Floor mounted unit eliminates the need of lifting heavy containers.
 Tile edge furnished on the rear.
 Bowls rectangular in design for increased capacity.
K-16 Free Flow Drain is included with each mop sink.
-DF models feature a notched out front which allows for ease of emptying mop bucket)

CONSTRUCTION:

All TIG welded.
 Welded areas blended to match adjacent surfaces and to a satin finish.

MATERIAL:

16 Gauge type "304" series stainless steel sink bowl & Apron.

| | | O.A. Dimension (W x L x H) | Drain Distance (E) | Drain Distance (F) | Approx. Wt. | Approx. Cu. |
|-------------------|------------------|----------------------------|---------------------|--------------------|-------------|-------------|
| STANDARD | 9-OP-18 | 15" x 15" x 10" | 18" x 18" x 14" | 9" | 9" | 30 lbs. 4 |
| | 9-OP-20 | 16" x 20" x 6" | 21" x 25" x 10" | 10-1/2" | 12-1/2" | 33 lbs. 4 |
| | 9-OP-28 | 20" x 28" x 6" | 25" x 33" x 10" | 12-1/2" | 16-1/2" | 47 lbs. 7 |
| | 9-OP-40 | 16" x 20" x 12" | 21" x 25" x 16" | 10-1/2" | 12-1/2" | 45 lbs. 6 |
| LARGE BOWL | 9-OP-48 | 20" x 28" x 12" | 25" x 33" x 16" | 12-1/2" | 16-1/2" | 62 lbs. 9 |
| | 9-OP-44 | 24" x 24" x 12" | 29" x 29" x 16" | 12-1/2" | 16-1/2" | 70 lbs. 9 |
| | 9-OP-33 | 24" x 36" x 12" | 29" x 41" x 16" | 12-1/2" | 20 1/2" | 73 lbs. 9 |
| DROP FRONT | 9-OP-34 | 24" x 48" x 12" | 29" x 53" x 16" | 12-1/2" | 20 1/2" | 76 lbs. 9 |
| | 9-OP-40DF | 16" x 20" x 12" | 18-1/2" x 25" x 16" | 10-1/2" | 12-1/2" | 85 lbs. 9 |
| | 9-OP-48DF | 20" x 28" x 12" | 22-1/2" x 33" x 16" | 12-1/2" | 16-1/2" | 110 lbs. 15 |

MOP SINK ACCESSORIES

16" High Side & Back Splashes for 9-OP Series Mop Sinks

| Model # | Fits Units: | Model # | Fits Units: |
|--------------|-------------|---------------|-------------|
| K-298 | 9-OP-20 | K-298D | 9-OP-40DF |
| | 9-OP-40 | | |
| K-299 | 9-OP-28 | K-299D | 9-OP-48DF |
| | 9-OP-48 | | |
| K-300 | 9-OP-44 | - | - |

| Model # | Fits Units: | Model # | Fits Units: |
|------------------|-------------|-------------------|-------------|
| K-288LorR | 9-OP-20 | K-288LorRD | 9-OP-40DF |
| | 9-OP-40 | | |
| K-290LorR | 9-OP-28 | K-290LorRD | 9-OP-48DF |
| | 9-OP-48 | | |
| K-291LorR | 9-OP-44 | - | - |



Left & Right Splashes Shown

- K-16** Replacement drain for floor mop sinks
- K-240** Service Faucet*
- K-242** 23" wide mop hanger
- K-243** Stainless steel mop drainage tray
- K-244** Hose and hanger
- K-245** 8" x 24" utility shelf
- K-246** 8" x 36" utility shelf



*Does not meet Federal Lead Free Standards as it is not intended for potable water.

Customer Service Available To Assist You 1-800-645-3166 8:30 am - 8:00 pm E.S.T.



For Orders & Customer Service:
 Email: customer@advancetabco.com or Fax: 631-242-6900

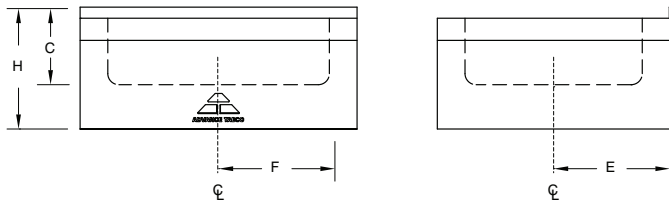
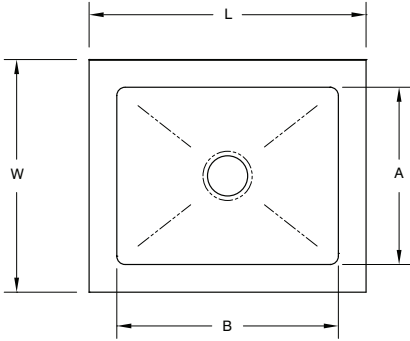
For Smart Fabrication™ Quotes:
 Email: smartfab@advancetabco.com or Fax: 631-586-2933

DIMENSIONS and SPECIFICATIONS

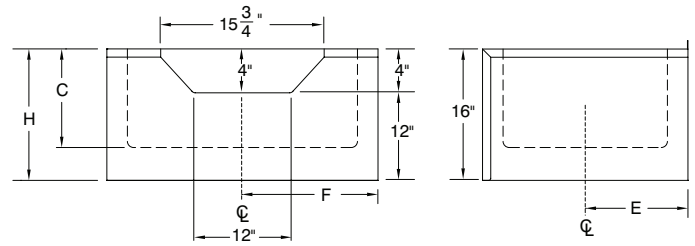
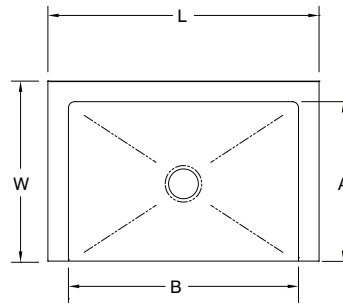
TOL Overall: $\pm .500''$
 Interior: $\pm .250''$

ALL DIMENSIONS ARE TYPICAL

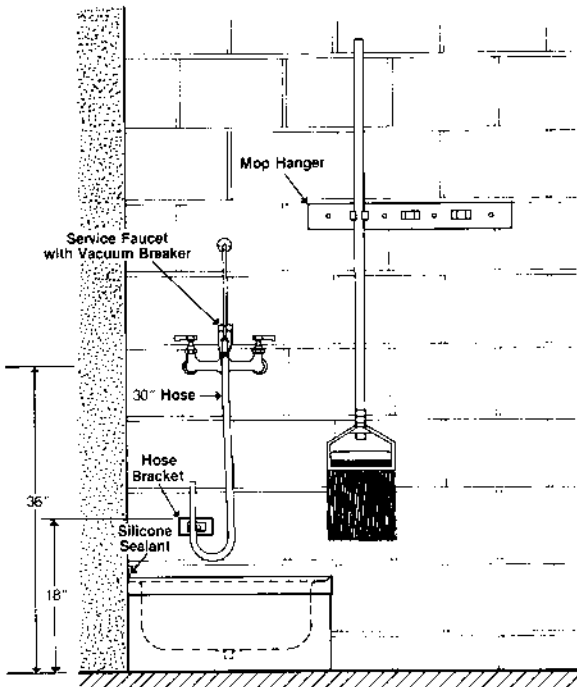
STANDARD MOP SINK



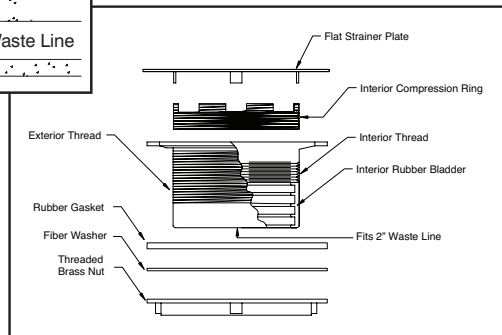
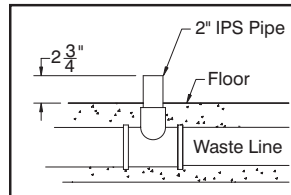
DROP FRONT MOP SINK



SUGGESTED INSTALLATION



MOP SINK DRAIN ASSEMBLY



K-243 MOP DRAINAGE TRAY

13 lbs.

