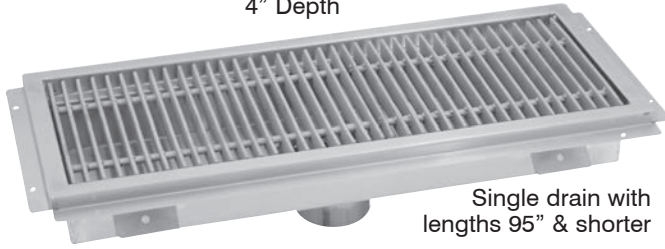


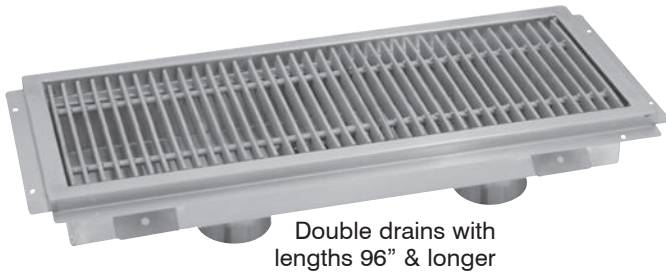


STAINLESS STEEL  
**FLOOR TROUGHS, DRAINS  
 & FLOOR DRAINS**

**12" Floor Troughs**  
 4" Depth

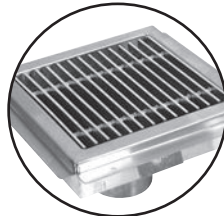


Single drain with lengths 95" & shorter



Double drains with lengths 96" & longer

**12" Floor Drain**  
 4" Depth



**FD-1**  
 Optional Stainless Steel Grate for Floor Drains



Item #: \_\_\_\_\_ Qty #: \_\_\_\_\_  
 Model #: \_\_\_\_\_  
 Project #: \_\_\_\_\_

**7.5" Floor Water Troughs**  
 4" Depth



Cut-Out View of Anti-Splash

**FT-1**  
 Optional Anti-Splash Guard (Per ft. Factory installed)



**FT-2**  
 Stainless Steel Strainer Basket with Handle (Included with all Floor Troughs, Water Receptacles & Floor Drains)

**OPTIONAL ACCESSORIES**

Model #	Description	Qty
FT-1	Anti-Splash Guard (Per Ft.)	
FT-2	FT-2 Replacement Strainer Basket	
FT-3	FT-3 Modify Trough Depth (2" - 6" Deep. Per Ft.)	
FT-4	FT-4 Modify Drain Hole Outlet Size (Allow 2" to 8" Dia.)	
FT-1	FT-5 Grate Upgrade to A.D.A. Compliant (7/16 Gap. Per Ft.)	
FD-1	FD-1 Floor Drain Stainless Steel Grate	

**FEATURES:**

- Waste receptacle will accommodate up to a 4" waste pipe.
- Includes 4" O.D. - 3" Long Plumbing Sleeve.
- Removable perforated stainless steel strainer basket with handle provided.
- Pitched towards waste.
- Gratings Available:
  - FTG Series:** Stainless Steel "Subway Style" grating from 3/16" x 1" solid "304" stainless steel bar. (Not included with Floor Drains. Use Model FD-1). Grating is spaced 9/16" (Inside clearance) between bars.
  - FFTG Series:** Fiberglass "Subway Style" Grating from 5/8" x 1" Non-Slip Medium Grit Polyester Resin (SPF). Grating is spaced 7/8" (Inside clearance) between bars.
- Troughs 96" or larger in length made with two (2) drains.
- Custom sizes available. Consult factory.

**CONSTRUCTION:**

- All TIG welded.
- All external corners welded and polished to a satin finish.

**MECHANICAL:**

- Creased design to ensure proper drainage.
- Perimeter flange mounts directly to sub floor.
- 3/4" vertical step designed to accommodate floor tile installation.

**MATERIAL:**

- 14 gauge "304" type stainless steel polished stainless steel grating.
- Fiberglass grating: Gray fiberglass composite. Light weight, skid and corrosion resistant.



**Customer Service Available To Assist You 1-800-645-3166 8:30 am - 8:00 pm E.S.T.**

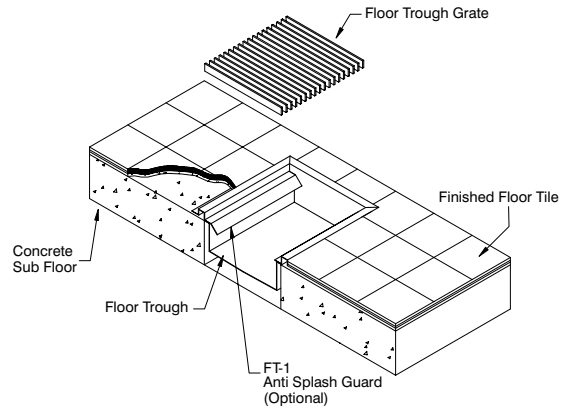
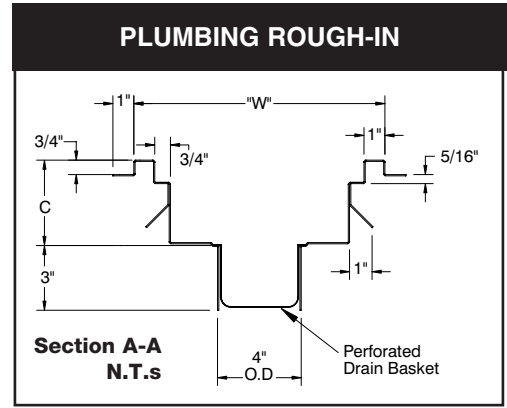
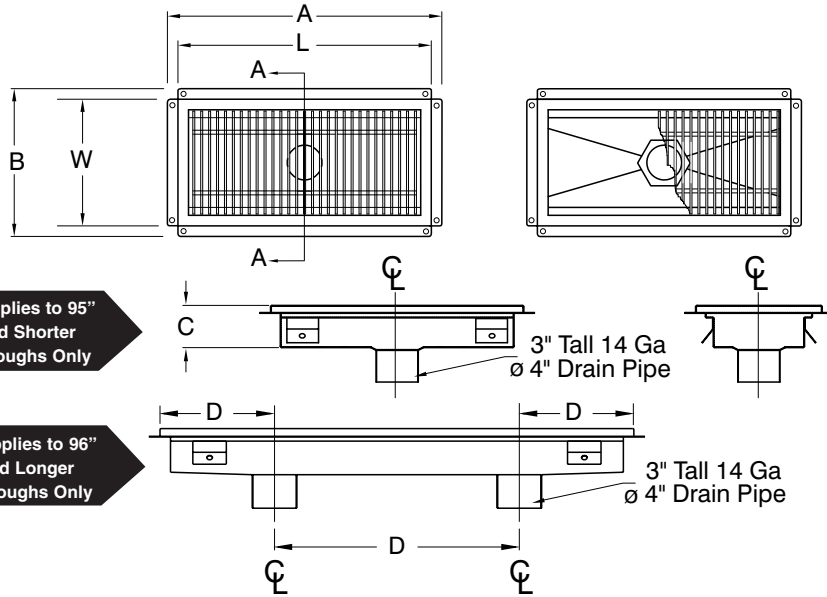
For Orders & Customer Service:  
 Email: customer@advancetabco.com or Fax: 631-242-6900

For Smart Fabrication™ Quotes:  
 Email: smartfab@advancetabco.com or Fax: 631-586-2933

# DIMENSIONS and SPECIFICATIONS

ALL DIMENSIONS ARE TYPICAL

TOL ± .500"



## 12", 18" & 24" WIDE FLOOR TROUGHS

Stainless Steel Grating	Wt.	Fiberglass Grating	Wt.	L	W	A	B	C	D
FTG-1224	46 lbs.	FFTG-1224	34 lbs.	24"	12"	26"	14"	4"	-
FTG-1230	56 lbs.	FFTG-1230	37 lbs.	30"	12"	32"	14"	4"	-
FTG-1236	66 lbs.	FFTG-1236	40 lbs.	36"	12"	38"	14"	4"	-
FTG-1242	76 lbs.	FFTG-1242	43 lbs.	42"	12"	44"	14"	4"	-
FTG-1248	86 lbs.	FFTG-1248	46 lbs.	48"	12"	50"	14"	4"	-
FTG-1254	96 lbs.	FFTG-1254	49 lbs.	54"	12"	56"	14"	4"	-
FTG-1260	106 lbs.	FFTG-1260	52 lbs.	60"	12"	62"	14"	4"	-
FTG-1272	116 lbs.	FFTG-1272	55 lbs.	72"	12"	74"	14"	4"	-
FTG-1284	126 lbs.	FFTG-1284	81 lbs.	84"	12"	86"	14"	4"	-
FTG-1296*	146 lbs.	FFTG-1296	90 lbs.	96"	12"	98"	14"	4"	32"
FTG-12108*	166 lbs.	FFTG-12108	99 lbs.	108"	12"	110"	14"	4"	36"
FTG-12120*	180 lbs.	FFTG-12120	108 lbs.	120"	12"	122"	14"	4"	40"
FTG-1824	62 lbs.	FFTG-1824	43 lbs.	24"	18"	26"	20"	4"	-
FTG-1830	74 lbs.	FFTG-1830	47 lbs.	30"	18"	32"	20"	4"	-
FTG-1836	86 lbs.	FFTG-1836	54 lbs.	36"	18"	38"	20"	4"	-
FTG-1842	98 lbs.	FFTG-1842	61 lbs.	42"	18"	44"	20"	4"	-
FTG-1848	110 lbs.	FFTG-1848	69 lbs.	48"	18"	50"	20"	4"	-
FTG-1854	122 lbs.	FFTG-1854	76 lbs.	54"	18"	56"	20"	4"	-
FTG-1860	134 lbs.	FFTG-1860	83 lbs.	60"	18"	62"	20"	4"	-
FTG-1872	146 lbs.	FFTG-1872	90 lbs.	72"	18"	74"	20"	4"	-
FTG-1884	165 lbs.	FFTG-1884	111 lbs.	84"	18"	86"	20"	4"	-
FTG-1896*	187 lbs.	FFTG-1896	125 lbs.	96"	18"	98"	20"	4"	32"
FTG-18108*	208 lbs.	FFTG-18108	138 lbs.	108"	18"	110"	20"	4"	36"
FTG-18120*	229 lbs.	FFTG-18120	150 lbs.	120"	18"	122"	20"	4"	40"
FTG-2424	69 lbs.	FFTG-2424	52 lbs.	24"	24"	26"	26"	4"	-
FTG-2430	81 lbs.	FFTG-2430	59 lbs.	30"	24"	32"	26"	4"	-
FTG-2436	104 lbs.	FFTG-2436	68 lbs.	36"	24"	38"	26"	4"	-
FTG-2442	118 lbs.	FFTG-2442	75 lbs.	42"	24"	44"	26"	4"	-
FTG-2448	131 lbs.	FFTG-2448	83 lbs.	48"	24"	50"	26"	4"	-
FTG-2454	145 lbs.	FFTG-2454	95 lbs.	54"	24"	56"	26"	4"	-
FTG-2460	162 lbs.	FFTG-2460	102 lbs.	60"	24"	62"	26"	4"	-
FTG-2472	195 lbs.	FFTG-2472	119 lbs.	72"	24"	74"	26"	4"	-
FTG-2484	218 lbs.	FFTG-2484	137 lbs.	84"	24"	86"	26"	4"	-
FTG-2496*	243 lbs.	FFTG-2496	153 lbs.	96"	24"	98"	26"	4"	32"
FTG-24108*	274 lbs.	FFTG-24108	168 lbs.	108"	24"	110"	26"	4"	36"
FTG-24120*	310 lbs.	FFTG-24120	188 lbs.	120"	24"	122"	26"	4"	40"

\*Troughs 96" or larger in length made with two (2) drains.

## 7.5" WIDE FLOOR TROUGHS (4" Depth)

Model #	Length	Width	A	B	C	Wt.
FTG-724	24"	7.5"	26"	9.5"	4"	44 lbs.
FTG-730	30"	7.5"	32"	9.5"	4"	45 lbs.
FTG-736	36"	7.5"	38"	9.5"	4"	63 lbs.
FTG-748	48"	7.5"	50"	9.5"	4"	82 lbs.
FTG-760	60"	7.5"	62"	9.5"	4"	101 lbs.
FTG-772	72"	7.5"	74"	9.5"	4"	110 lbs.
FTG-784	84"	7.5"	86"	9.5"	4"	119 lbs.
FTG-796	96"	7.5"	98"	9.5"	4"	138 lbs.
FTG-7108	108"	7.5"	110"	9.5"	4"	157 lbs.
FTG-7120	120"	7.5"	122"	9.5"	4"	170 lbs.

## 12" WIDE FLOOR WATER RECEPTACLES (2" Depth)

Model #	Length	Width	A	B	C	Wt.
FRG-24	24"	12"	26"	14"	2"	44 lbs.
FRG-36	36"	12"	38"	14"	2"	63 lbs.
FRG-48	48"	12"	50"	14"	2"	82 lbs.

## 12" WIDE FLOOR DRAIN (4" Depth)

Model #	Length	Width	A	B	C	Wt.
FDR-1212	12"	12"	14"	14"	4"	26 lbs.

**CUSTOM SIZES AVAILABLE!**

