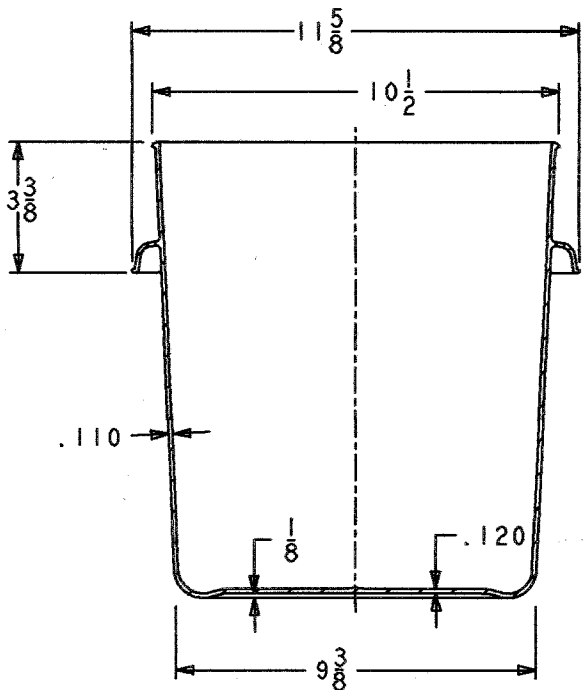
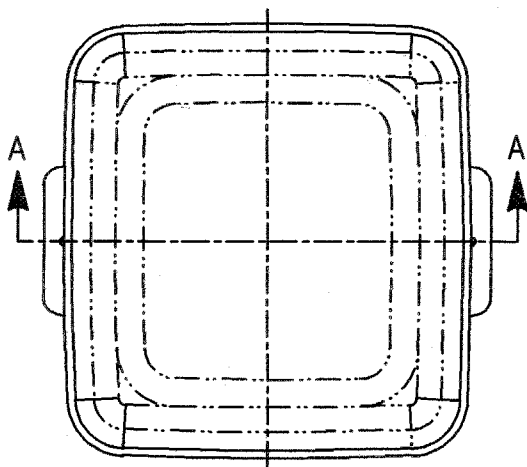
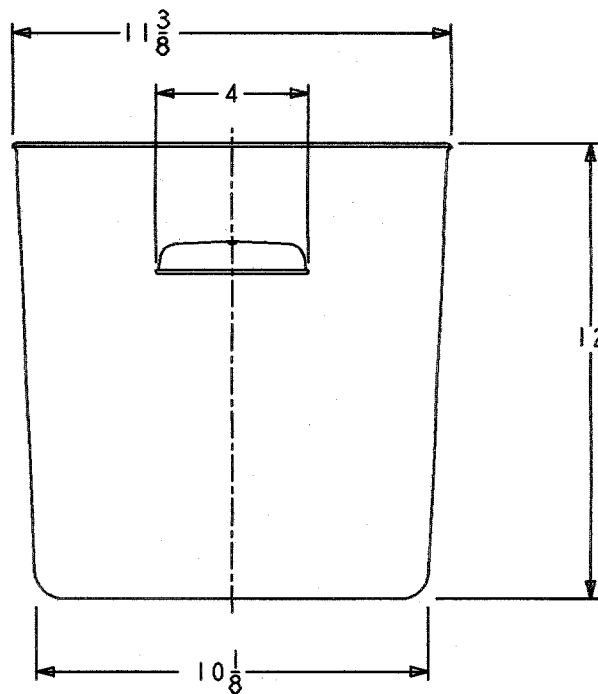


No.	Description/Materials
1	CONTAINER - PC

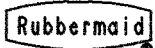


SECTION A-A



total part wt. 2.6 LBS.
 capacity 18 QTS.

agency approvals NSF STD. #2,
USDA MEAT & POULTRY
 miscellaneous _____

Product Specifications
 RUBBERMAID COMMERCIAL PRODUCTS INC.
 product name 18 QT. RECT. CONTAINER
 product no. 6318 revision 2

product no. 6318