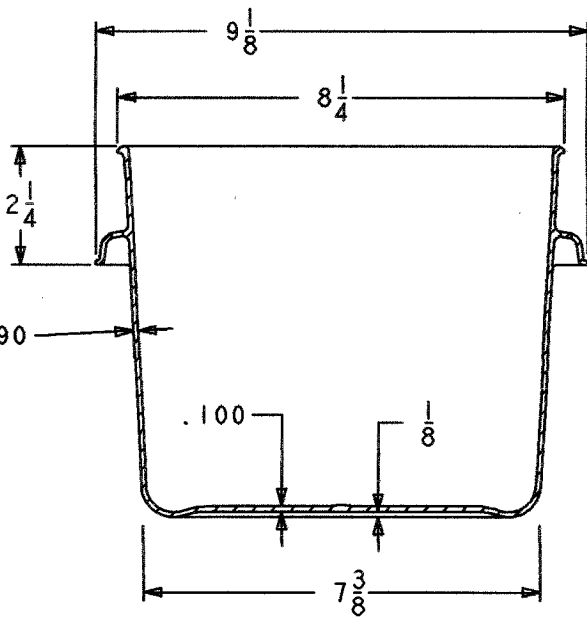
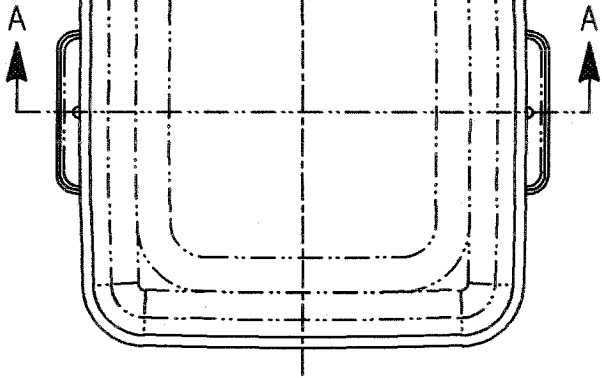
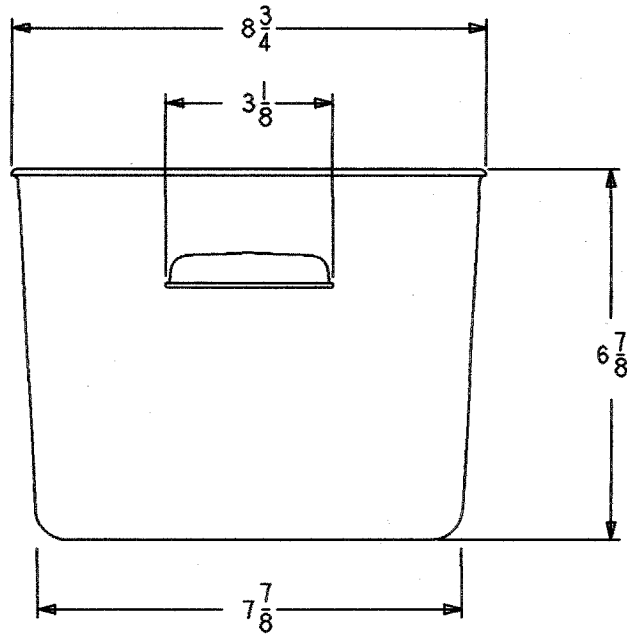


| No. | Description/Materials |
|-----|-----------------------|
| I   | CONTAINER - PC        |

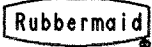


SECTION A-A



|                |          |
|----------------|----------|
| total part wt. | 1.0 LBS. |
| capacity       | 6 QTS.   |
|                |          |
|                |          |

|                  |                                     |
|------------------|-------------------------------------|
| agency approvals | NSF STD. #2,<br>USDA MEAT & POULTRY |
| colors           |                                     |
| miscellaneous    |                                     |
|                  |                                     |

|  |                             |
|--|-----------------------------|
| Product Specifications   |                             |
|  <b>RUBBERMAID COMMERCIAL PRODUCTS INC.</b> |                             |
| product name   | 6 QT. RECTANGULAR CONTAINER |
| product no.  | 6306 revision 2             |

product no. 6306