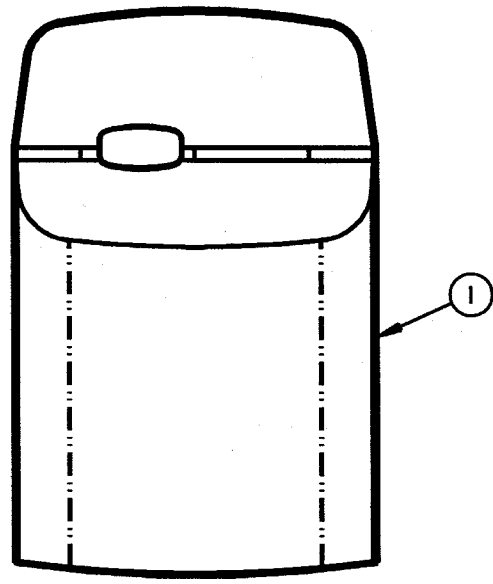
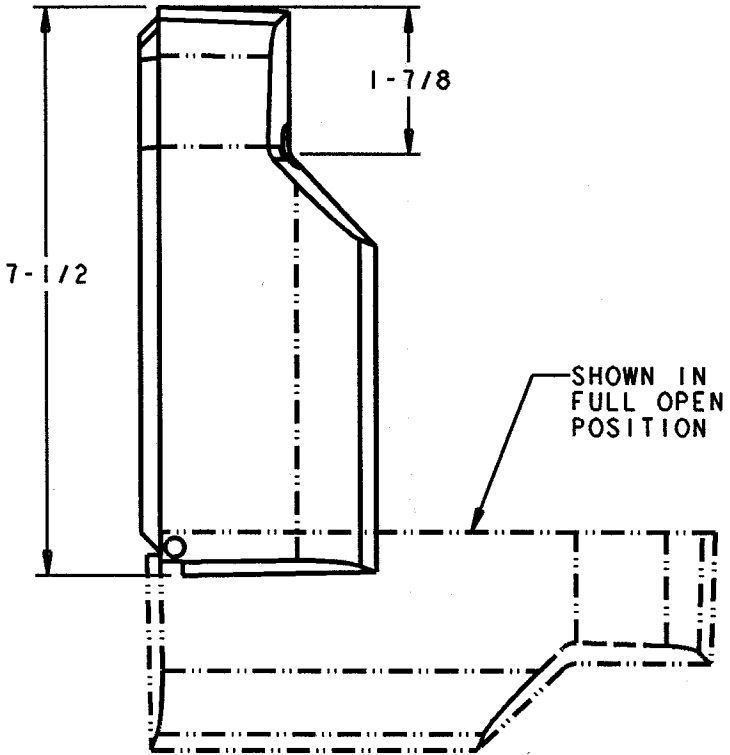
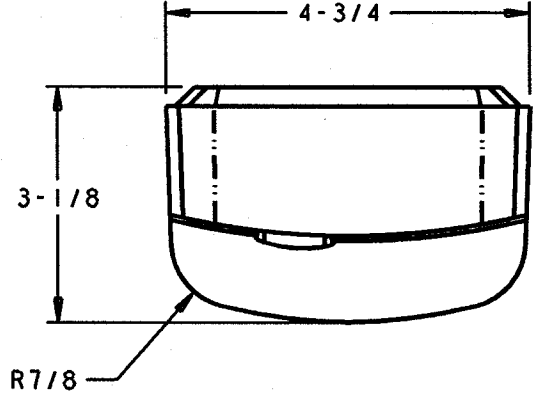


No.	Description/Materials
1	CABINET ASSEMBLY - ABS



total part wt. 1.1 LBS


capacity _____

agency approvals _____

miscellaneous TO BE USED WITH 5138-00, 5139-00,

5141-00 & 5146-00 AEROSOL FRAGRANCES

Product Specifications

 RUBBERMAID COMMERCIAL PRODUCTS INC.

product name AEROSOL SEBREEZE

product no. 5137 revision 0

product no. 5137