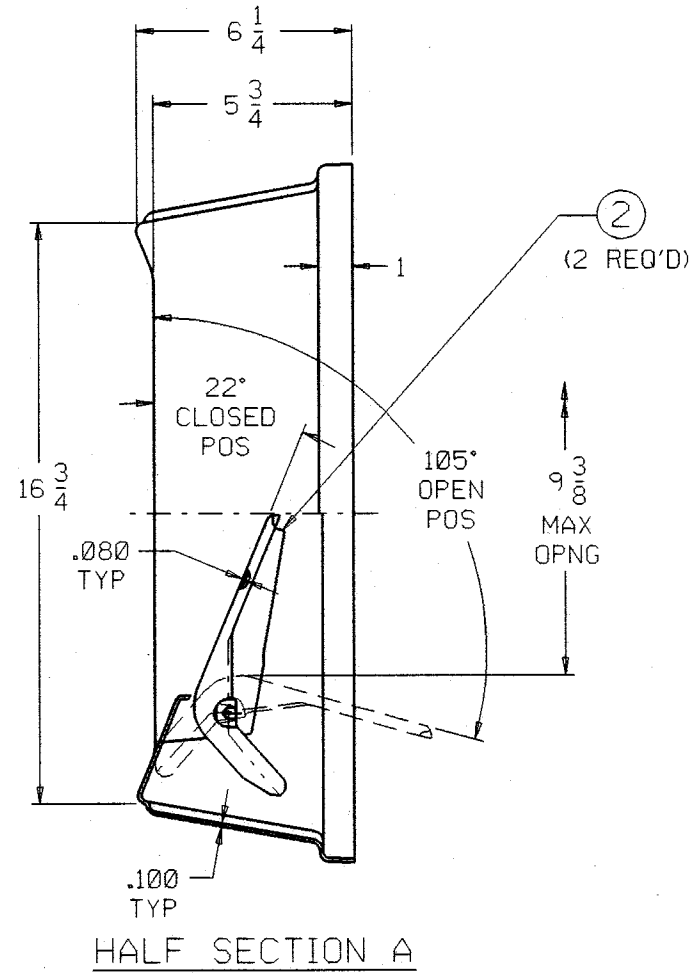
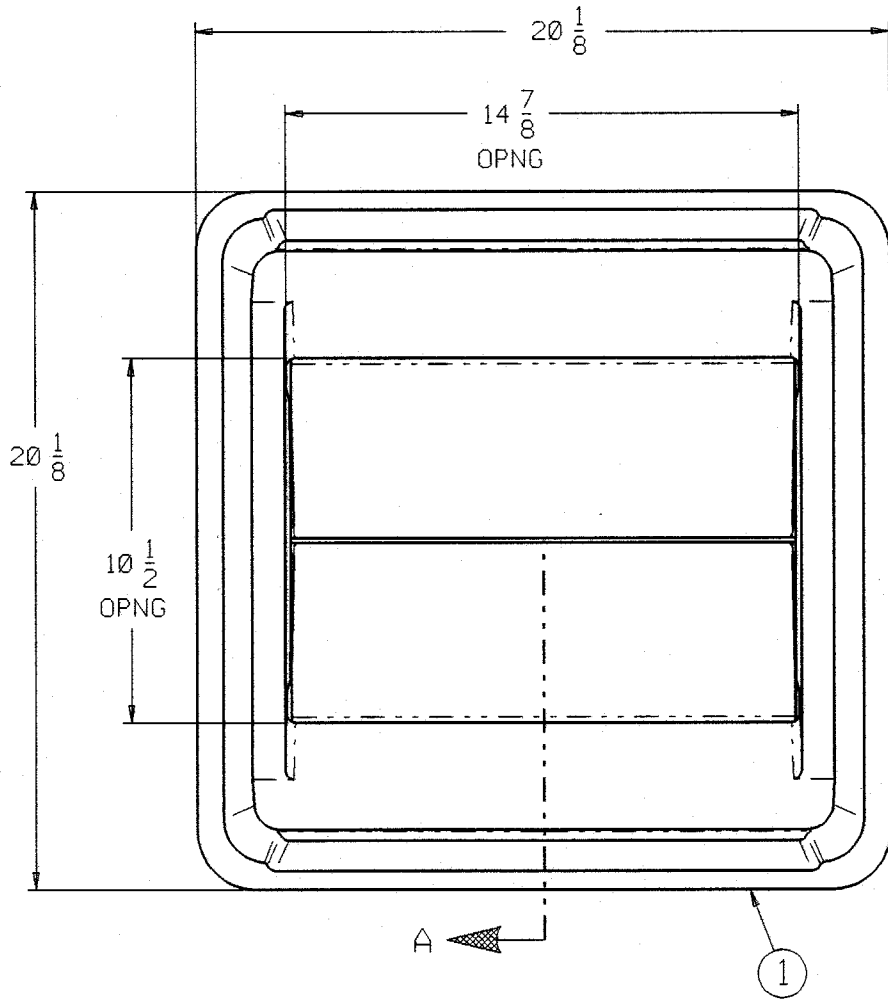


No.	Description/Materials
1	HOUSING - STY
2	DOOR - STY



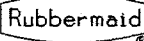
total part wt. 3.5 LBS

capacity _____

agency approvals _____

miscellaneous FITS P/N 3958 & 3959

Product Specifications

 RUBBERMAID
COMMERCIAL
PRODUCTS INC.

product name UNTOUCHABLE TOP

product no. 2664 revision 6

product no. 2664