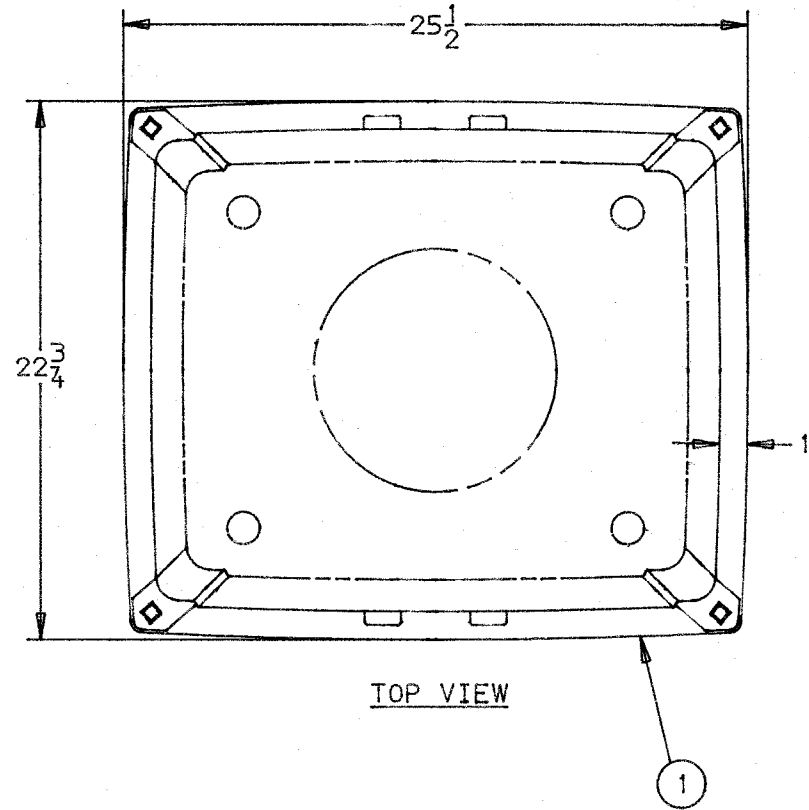
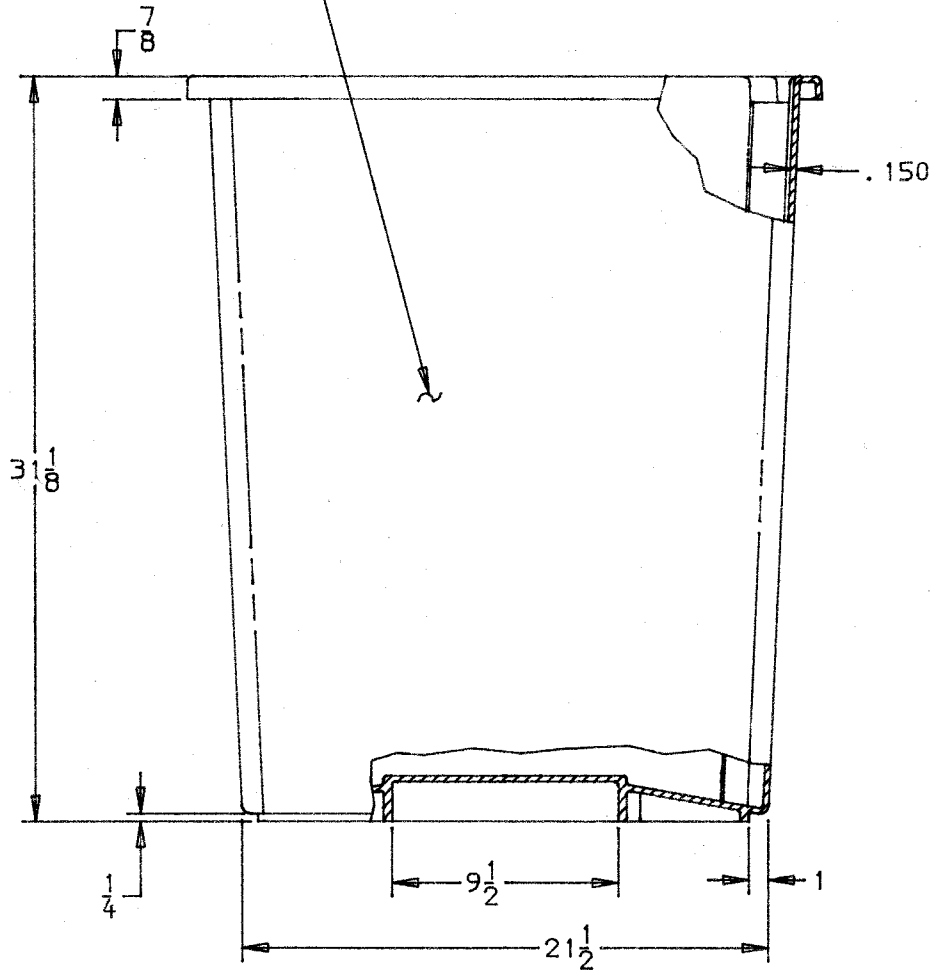


No.	Description/Materials
1	BASE - PE

HOT STAMP TO APPEAR  
ON WIDEST SIDES



TOP VIEW

total part wt. 15.3 LBS.

capacity 56 GALS.

agency approvals \_\_\_\_\_

colors \_\_\_\_\_

miscellaneous AVAILABLE WITH WOODGRAIN.

HOT STAMP, SILK SCREEN

## Product Specifications

product name

**CONTAINER**

product no.

256B

revision

3

product no. 256B

256B

