

# R-SERIES MOBILE REFRIGERATORS



When ordering electrical parts, always confirm the rating listed on cabinet data plate on back of cabinet.

Differences in voltage, amps or wattage are listed with **BOLD TEXT** in replacement part descriptions.

## DESCRIPTION

THIS MANUAL COVERS CABINETS WITH ELECTRICAL RATINGS OF: 120V 60HZ 5.4A & 220-240V 50HZ 2.7A

## TABLE OF CONTENTS

SAFETY INFORMATION .....	2
SAFETY SYMBOLS .....	2
IDENTIFY YOUR CABINET .....	2
PRODUCT FEATURES .....	3
INSTALLATION AND SETUP .....	4
OPERATING INSTRUCTIONS .....	6
CARE AND MAINTENANCE .....	6
BASIC TROUBLESHOOTING .....	9
SERVICE AND REPLACEMENT PARTS .....	10
SERVICE AND REPLACEMENT PARTS (CIRCUIT).....	13
WARRANTY .....	14

## SAFETY INFORMATION

Follow all food safety guidelines. This cabinet is only for cold food holding applications. Pre-cool the cabinet before placing pre-chilled food into the cabinet.

Only factory approved service agents should attempt to service, repair or replace electrical components.

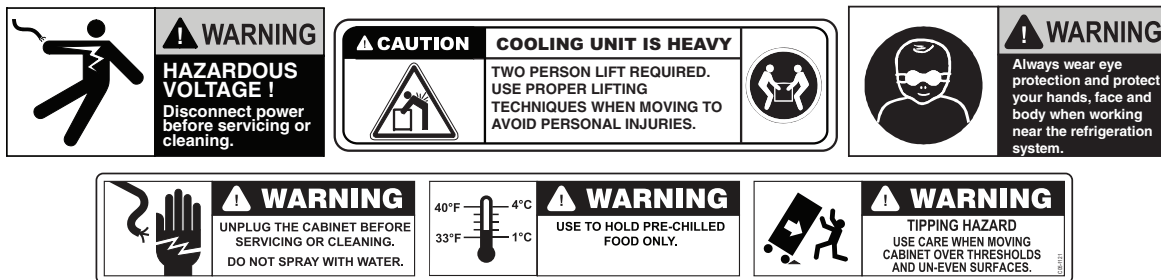
Unplug the cabinet before cleaning or servicing. Do not spray with water.

Food Service Equipment must be electrically grounded. Failure to ground Food Service Equipment may result in serious injury or death from electrical malfunction.

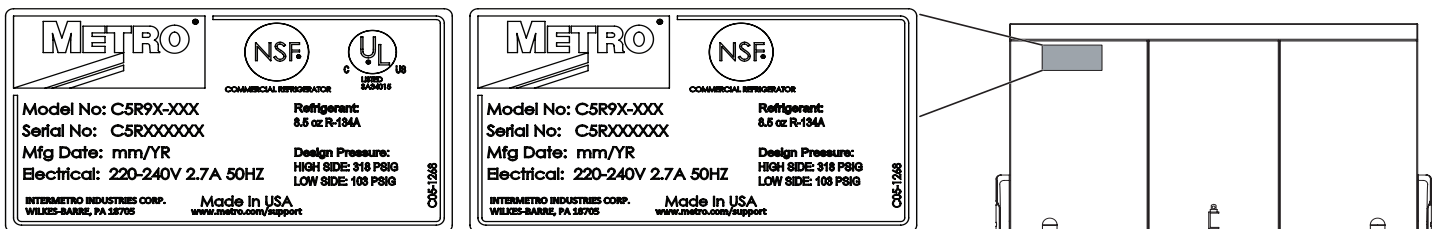
Unplug the cabinet before cleaning and then wipe with a damp cloth and dry with a towel. Use only mild soap or cleaning agents approved for stainless steel.

The accidental release of refrigerant gases can result in physical injuries. Always wear eye protection, and protect your hands, face, and body when servicing refrigeration system.

## SAFETY SYMBOLS



## IDENTIFYING YOUR CABINET



For future reference, note the serial and model number found on the data plate of the cabinet here:

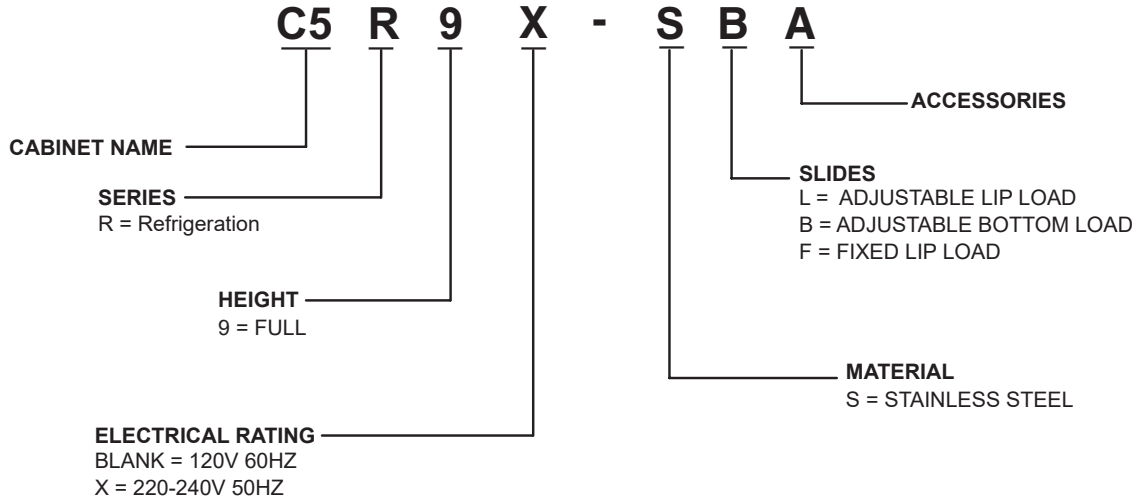
Serial number \_\_\_\_\_

Model number \_\_\_\_\_

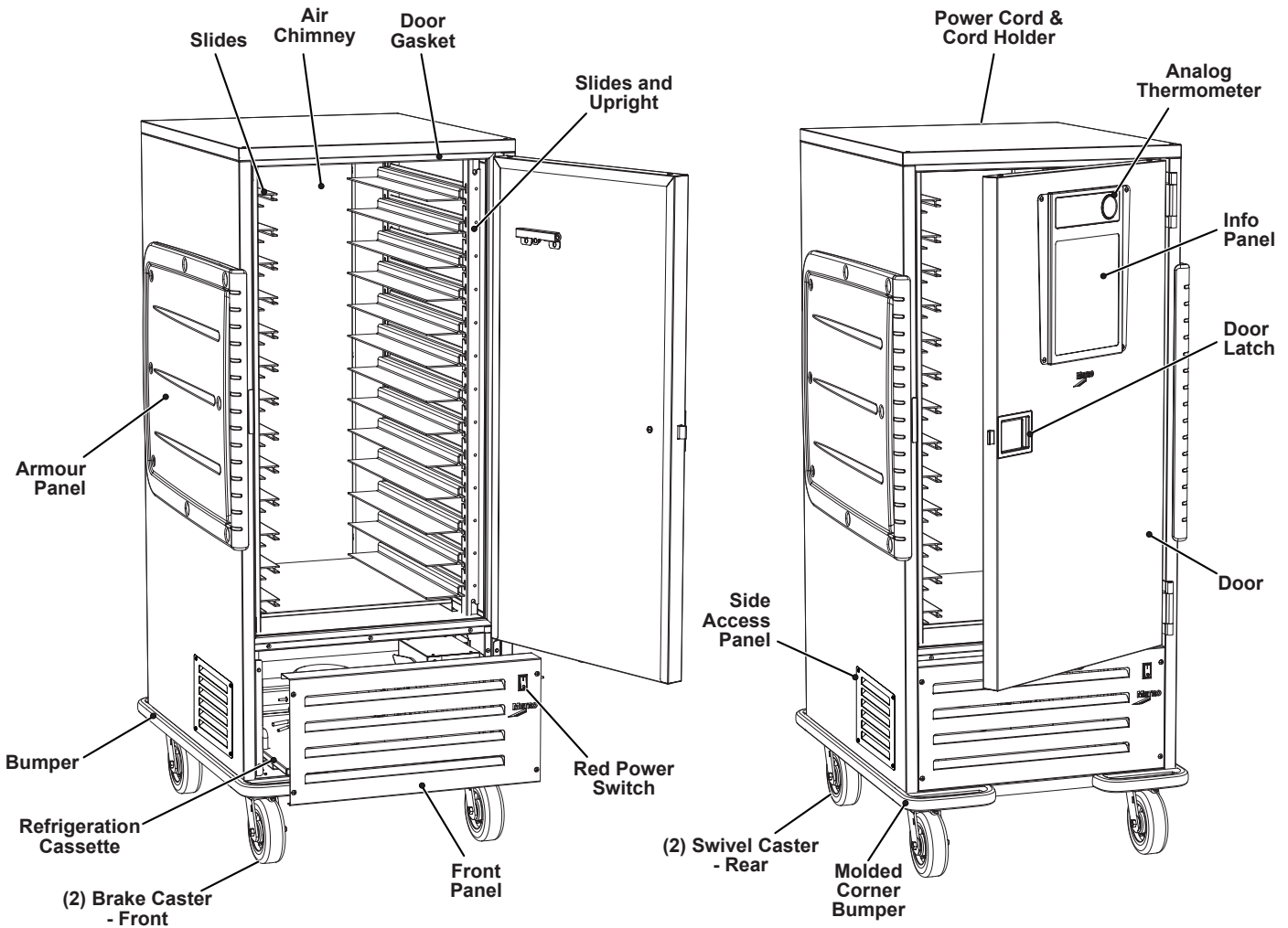
Date the cabinet was put into service \_\_\_\_\_

Fill out and return the warranty card located at the back of this manual.

## PART NUMBERING



## PRODUCT FEATURES



## INSTALLATION AND SETUP

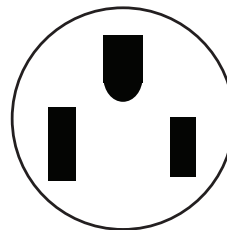
1. Check for Shipping Damage: Check the packaging and cabinet for shipping damage before and after unloading the unit, and after removing all packaging materials.
2. The receiver of this product is responsible for filing freight damage claims. This equipment must be opened immediately for inspection. All visible damage must be reported to the freight company within 48 hours and must be noted on freight bill at the time of delivery.
3. Concealed damage is your responsibility — you must advise the carrier of any loss or damage within 15 days after receipt of the cabinet. If there is damage, retain the original packaging for inspectors.
4. After unpacking the cabinet, remove all packing material from the inside as well as outside of the unit.
5. The power cord is located at the back of the cabinet as shown in Figure 1.
6. Refer to the data plate located near the power cord for the electrical specifications of cabinet as shown in Figure 2.
  - With the **POWER** switch OFF, plug the cord into the appropriate rated, grounded receptacle.
  - Cabinets rated at 120V must be plugged into either a 15 amp or 20 amp 125 VAC receptacle.
  - Cabinets rated at 220-240V must be plugged into a 15 amp 250 VAC receptacle.



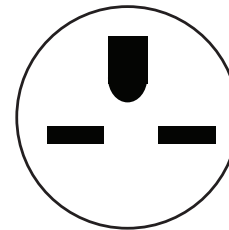
**FIGURE 1:**  
POWER CORD LOCATION ON CABINET

USE AN INDIVIDUAL BRANCH CIRCUIT

125V  
15AMP  
Outlet



250V  
15AMP  
Outlet



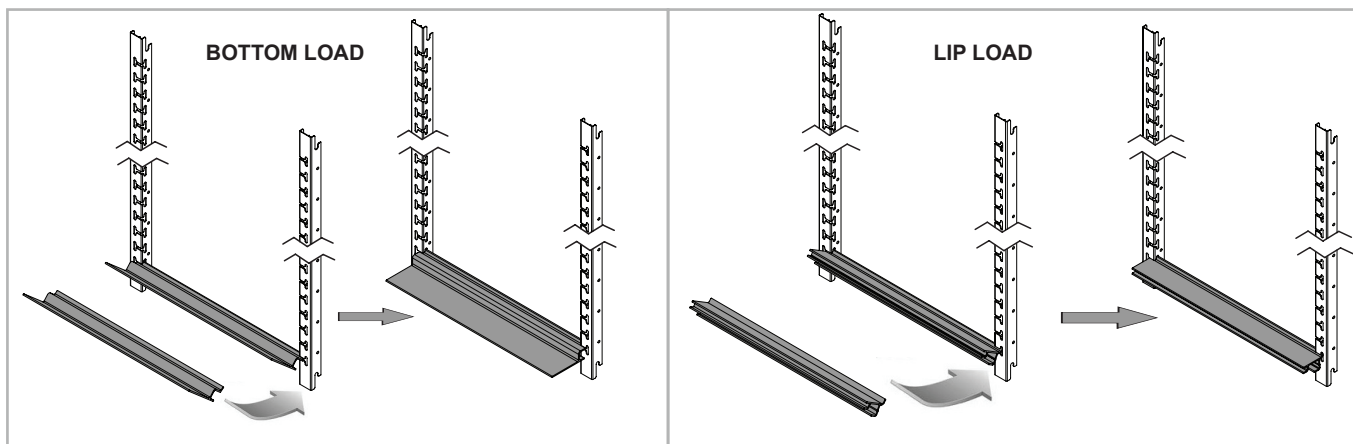
**FIGURE 2:**  
C5 R-SERIES WALL RECEPTACLES

### NOTICE

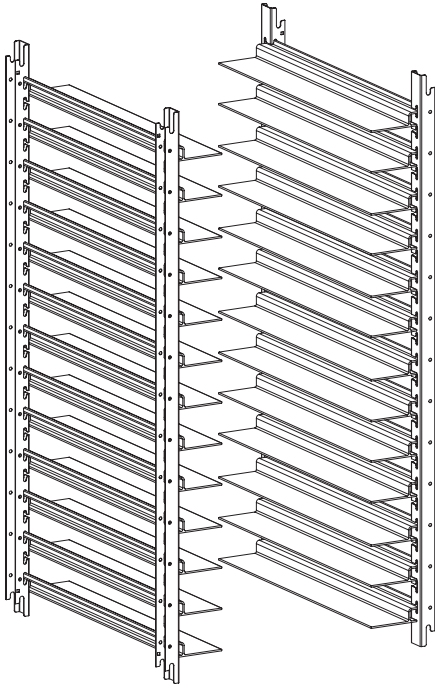
**When installing cabinet next to end walls, 6" (152mm) of clearance on the sides is recommended for optimal performance.**

**CAUTION:** C5 R-Series cabinets (Polymer Armour panels on the sides) must not be placed next to char broilers. Allow 18" (460mm) between the Armour panels and any cooking equipment. Do not allow hot kitchen equipment whose surfaces exceed 200°F (93°C) to touch the panels.

### Slide Installation Adjustable on Uprights (Bottom Load and Lip Load)

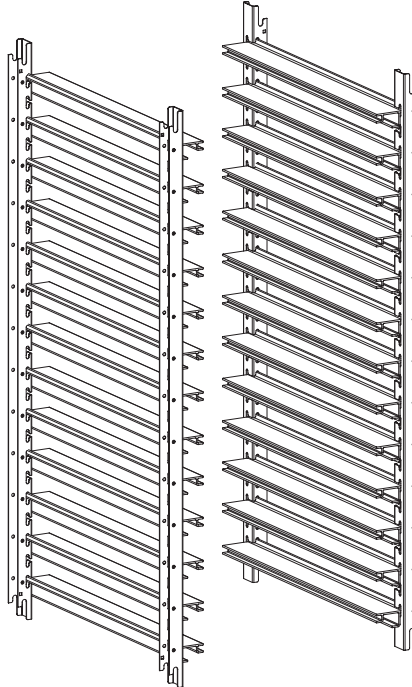


*Adjustable Slide Assemblies for Complete Cabinet (Includes Slides and Uprights)*



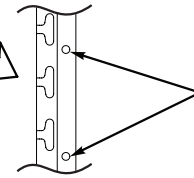
**BOTTOM LOAD (SLIDES AND UPRIGHTS)**

13 Levels  
Position from Bottom  
Bottom Load Part No. RPC5R-BL-13



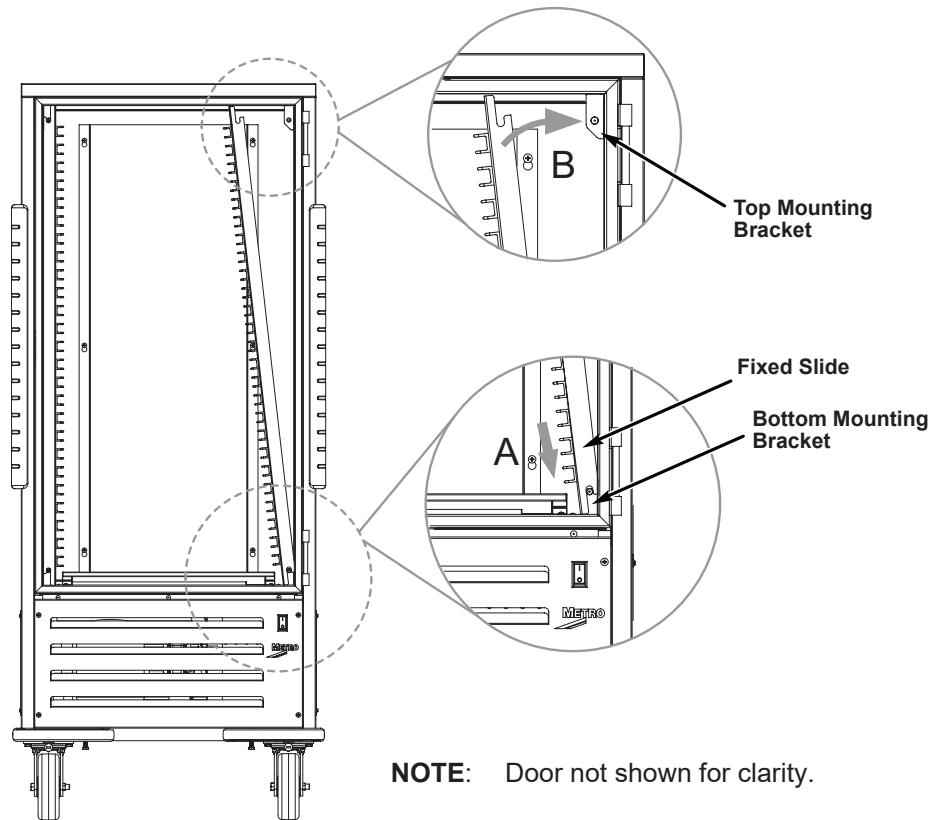
**LIP LOAD (SLIDES AND UPRIGHTS)**

13 Levels  
Position from Bottom  
Lip Load Part No. RPC5R-LL-13



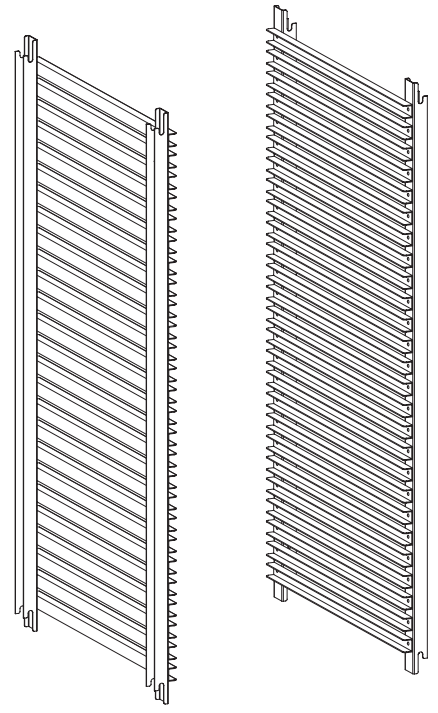
SiteSelect™  
feature make  
slide installation  
easier.

*Installation of Fixed Slide Racks*



**NOTE:** Door not shown for clarity.

*Fixed Slide Assembly for Complete Cabinet*



**FULL HEIGHT**  
1-Piece Construction  
Part No. RPC5R-FS (1 Pair)

## OPERATING INSTRUCTIONS

### Start up Operation (ON/OFF)

ON/OFF switch for the cabinet is located at the bottom of the unit, mounted to the front panel. When first energized, the cabinet will enter an automatic defrost cycle, which could last up to 6 minutes. After this, the Pre-cooling time to 40°F (4°C) is approximately 30 minutes.

### Analog Thermometer

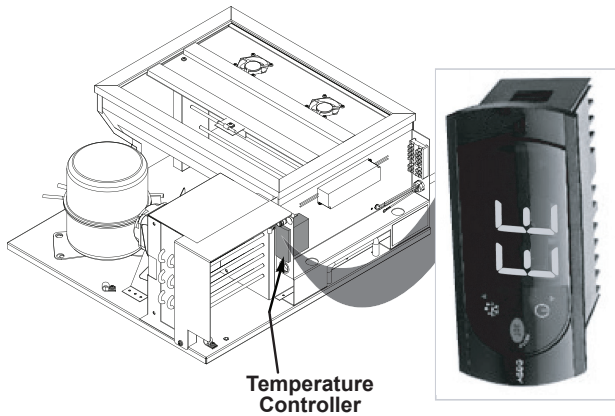
Analog thermometer is mounted on the door at eye level to indicate internal cabinet temperature.

### Automatic Defrost

Refrigerated cabinets are controlled by electronic temperature control with automatic defrost, for precise and consistent temperatures. Defrost cycle occurs every 6 hours or when cabinet power is disrupted.

### Temperature Controller

Temperature controller is located in the refrigerated cassette assembly, mounted in the orientation shown below.



### Operating Temperature

**NOTE:** 120V cabinets are preset in °F.  
220-240V cabinets are preset in °C.

1. The cabinet has been shipped from the factory preset at 33°F (1°C) which yields an average internal temperature of 35°F (2°C). **It is recommended that you keep the set point of the digital controller at 33°F.** Should the setting require adjustment, please follow the steps below:
  - a. Press and hold the 'Set' button for 3 seconds, the set value starts flashing in few moments.
  - b. Press UP or DOWN arrow until desired temperature is reached.
  - c. Press 'Set' button again to confirm the changes.
2. Only product that has been pre-chilled should be placed into the cabinet. Placing warm product will elevate the cabinet air temperature above 40°F (4°C).

## CARE AND MAINTENANCE

### NOTICE

Before proceeding with any maintenance activity strictly follow "Safety Information" on page 2 of this manual.

### NOTICE

Regularly inspect the casters. Tighten loose fasteners and replace worn or damaged parts with new InterMetro approved parts. Replace worn or damaged casters immediately; lubricate casters regularly (if applicable).

### Cleaning The Cabinet

#### ⚠ WARNING

Unplug the cabinet before cleaning or servicing. Do not wash the cabinet with a water jet or high pressure water.

#### ⚠ CAUTION

Use only mild soap or cleaning agents approved for stainless steel.

#### ⚠ CAUTION

Do not use cleaners with chlorides or phosphates as they may cause damage to stainless steel.

1. With power cord unplugged, allow cabinet to stabilize before cleaning. Use a damp cloth or sponge, mild soap suitable for stainless steel is acceptable. Dry with a clean towel. Wipe up spills as soon as possible and regularly clean the cabinet to avoid staining and difficult to clean conditions.
2. Adjustable slides are easily removed without tools for cleaning.

### Cleaning The Refrigeration Unit

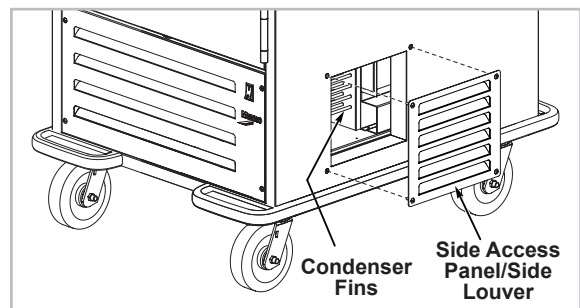
#### ⚠ WARNING

Unplug the cabinet before cleaning or servicing.

1. Remove side louver from the cabinet to clean dust from the condenser fins as shown below.
2. In order for the refrigeration system to operate efficiently, it is recommended that the condenser and evaporator are kept clean. Recommended minimum cleaning interval is once a month.
3. All vanes and tubing should be clean and clear of obstruction; this allows free passage of air. Clean with a brush, a vacuum cleaner or compressed air, using extreme caution not to bend the condenser fins.

### NOTICE

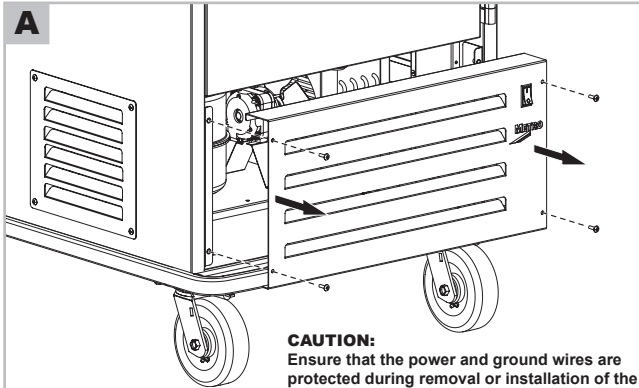
Condenser fin edges can be sharp, so exercise caution when brushing or wiping fins.



## Disassembly and Assembly Procedure of Refrigeration Unit

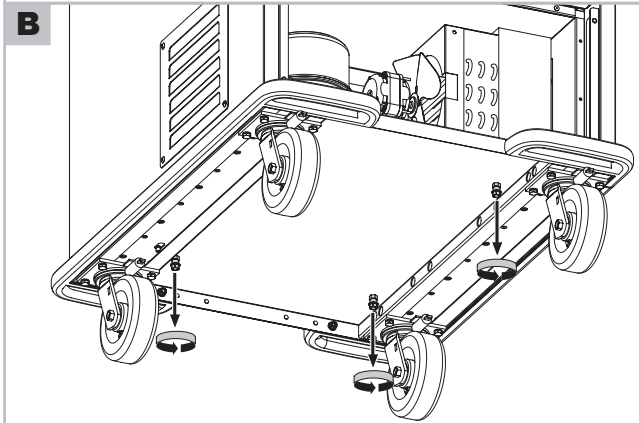
### ⚠ WARNING

Unplug the cabinet and allow unit to stabilize. The refrigeration cassette is removed from the front of the cabinet.

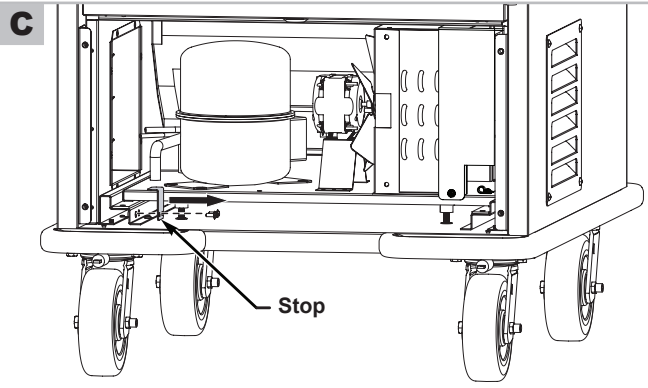


1. Open cabinet door.
2. Remove front panel.
3. Disconnect power switch wires.
4. Remove ground wire from base.

**CAUTION:**  
Ensure that the power and ground wires are protected during removal or installation of the refrigeration unit.

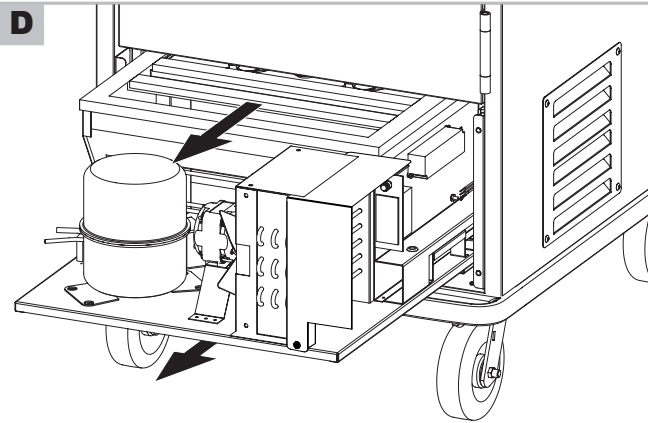


1. Unscrew jack bolts (4x) using a 1/2" wrench to lower onto slide.
2. Do not completely remove jack bolts.
3. Loosen until they contact cabinet floor.



1. Remove stop from slide using screw driver.

**CAUTION:**  
Ensure that the power and ground wires are protected during removal or installation of the refrigeration unit.



1. Pull cassette out.

**⚠ CAUTION COOLING UNIT IS HEAVY**

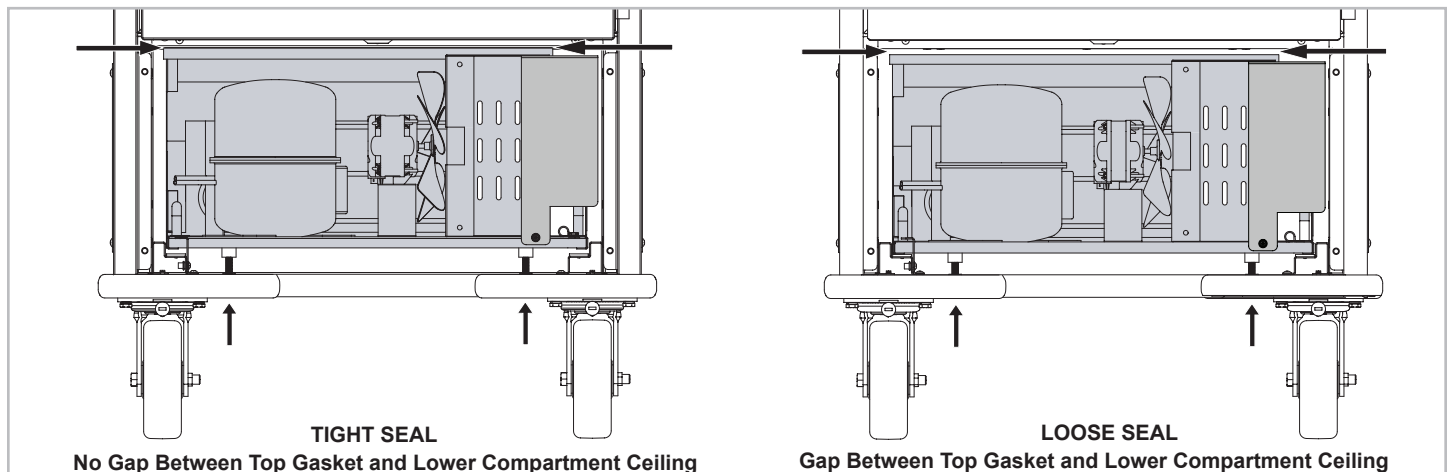
TWO PERSON LIFT REQUIRED. USE PROPER LIFTING TECHNIQUES WHEN MOVING TO AVOID PERSONAL INJURIES.

**NOTE:** Refrigeration cassette unit should be disposed of by a licensed refrigeration equipment technician. The refrigerant should be drained and recycled following applicable regulations.

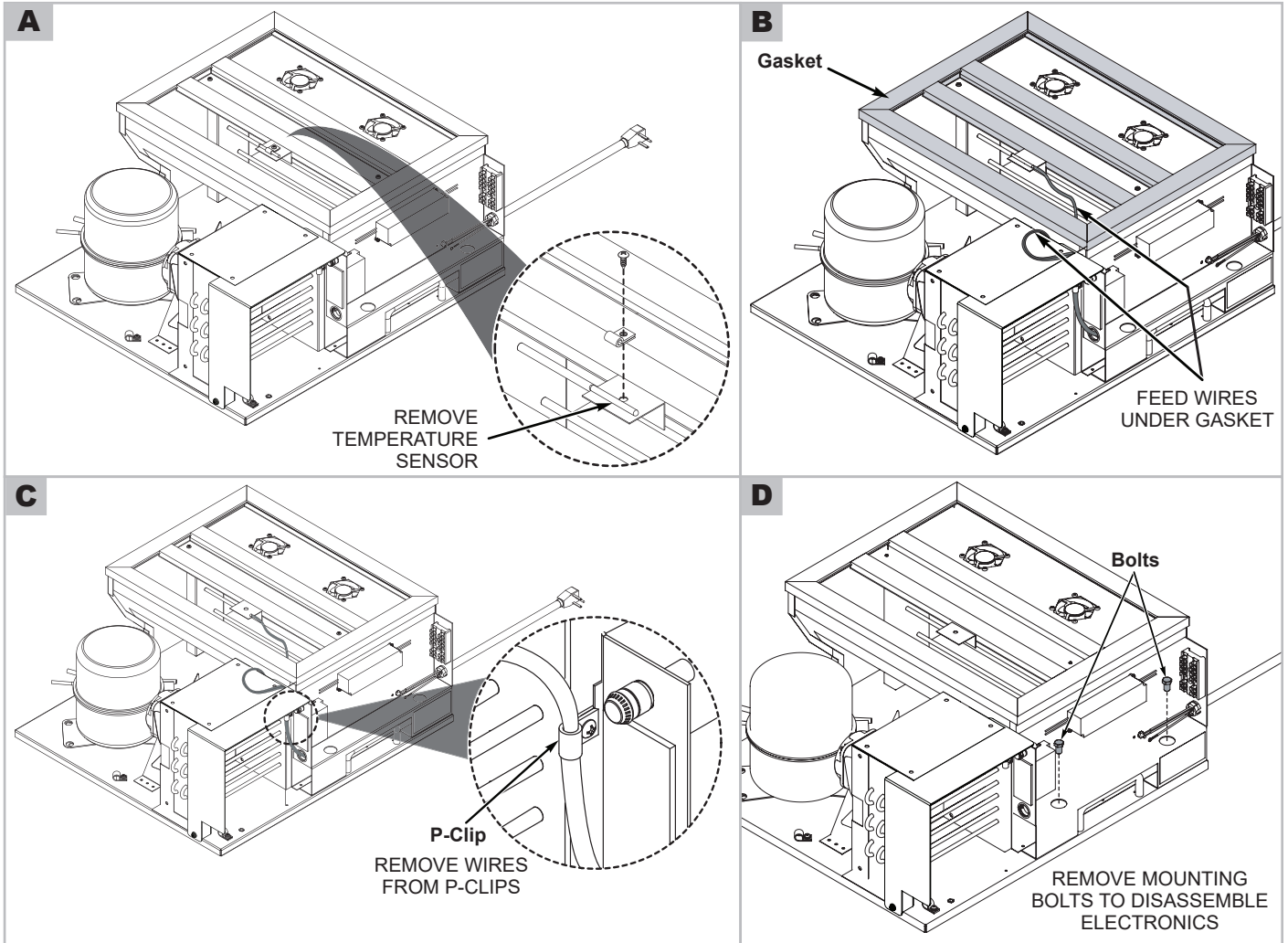
**TO RE-INSTALL THE REFRIGERATION CASSETTE, FOLLOW THE ABOVE PROCEDURE IN REVERSE.**

After tightening the jack bolts, inspect for tight seal between cassette top gasket and lower compartment ceiling.

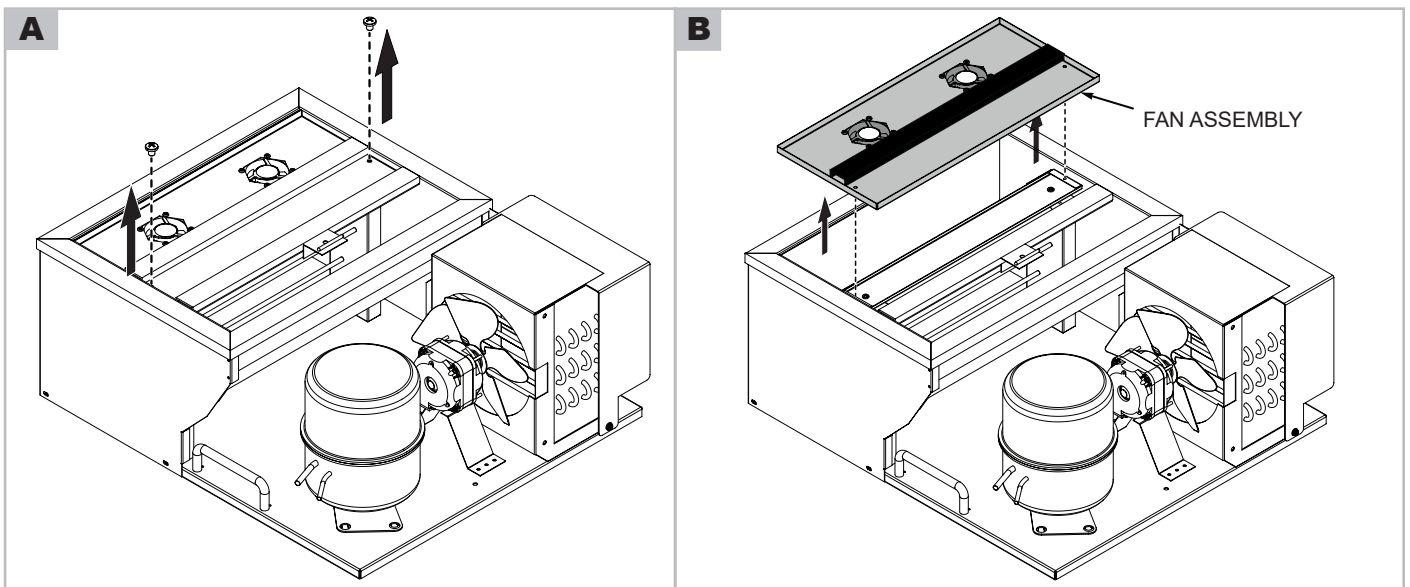
To verify a proper seal, shine a light into the intake cover. Then verify no gaps are present along the top of the gasket.



*Removal of Brackets and Electronics from Refrigeration Cassette Unit*



*Removal of Evaporator Fan Assembly from Refrigeration Cassette*



## BASIC TROUBLESHOOTING

**WARNING: Only factory approved service agents should attempt to service, repair or replace electrical components. It is recommended that the refrigeration cassette should be removed from cabinet to service electrical components.**

### 1. Cabinet not cooling:

- Upon initial start up, the refrigeration unit requires approximately 30 minutes to cool down.
- Check that the outlet has power.
- Check that the power switch is in the “On” position.
- Check the cabinet wiring from the power cord to the power switch and to the controller.
- Check the door and door seals for air leaks.

### 2. Cabinet is too cold:

- Adjust the operating temperature, Refer to PAGE 6.
- Large quantity of very cold or frozen food has recently been added. Allow adequate time for the cabinet to recover to its normal operating temperature.
- Defective temperature sensor and controller. Replace the sensor and controller.

### 3. No power to the cabinet:

- Check that the power switch is in the “On” position.
- Check that the power cord is plugged into the wall outlet and the outlet has power.

### 4. Refrigeration unit compressor does not start:

- Compressor cable should be connected to compressor power cord. Verify that the Capacitor Start Assembly is functioning properly. Look for any obvious defects on the capacitor, and verify that the relay is operating. Replace if needed.
- Review controller operation. Replace if necessary.

### 5. Excessive noise from refrigeration unit:

- Fan blade hitting shroud or loose fitting. Re-install fan blade correctly.
- From the fan motor. Replace the motor and fan.
- From the inside of compressor. Replace the refrigeration unit.

### 6. Compressor starts but does not run:

- Loss of refrigerant. Replace the refrigeration unit.
- Damaged tubings and capillary. Replace the refrigeration unit.

### 7. Compressor runs but cabinet temperature is warm:

- Loss of refrigerant. Replace the refrigeration unit.
- Damaged tubings and capillary. Replace the refrigeration unit.
- Defective temperature sensor and controller. Replace the controller.
- Defective gasket. Refrigeration cassette top gasket should be sealed, if necessary replace gasket.
- Defective heat exchange on condenser/ Blocking air flow by dust, lint or fins damage. Clean the surface of the condenser fins or straighten the bent fins. Refer to Page6.

### 8. Both compressor and condenser fan motors will not operate:

- Replace the controller if necessary.

### 9. Evaporator frozen over:

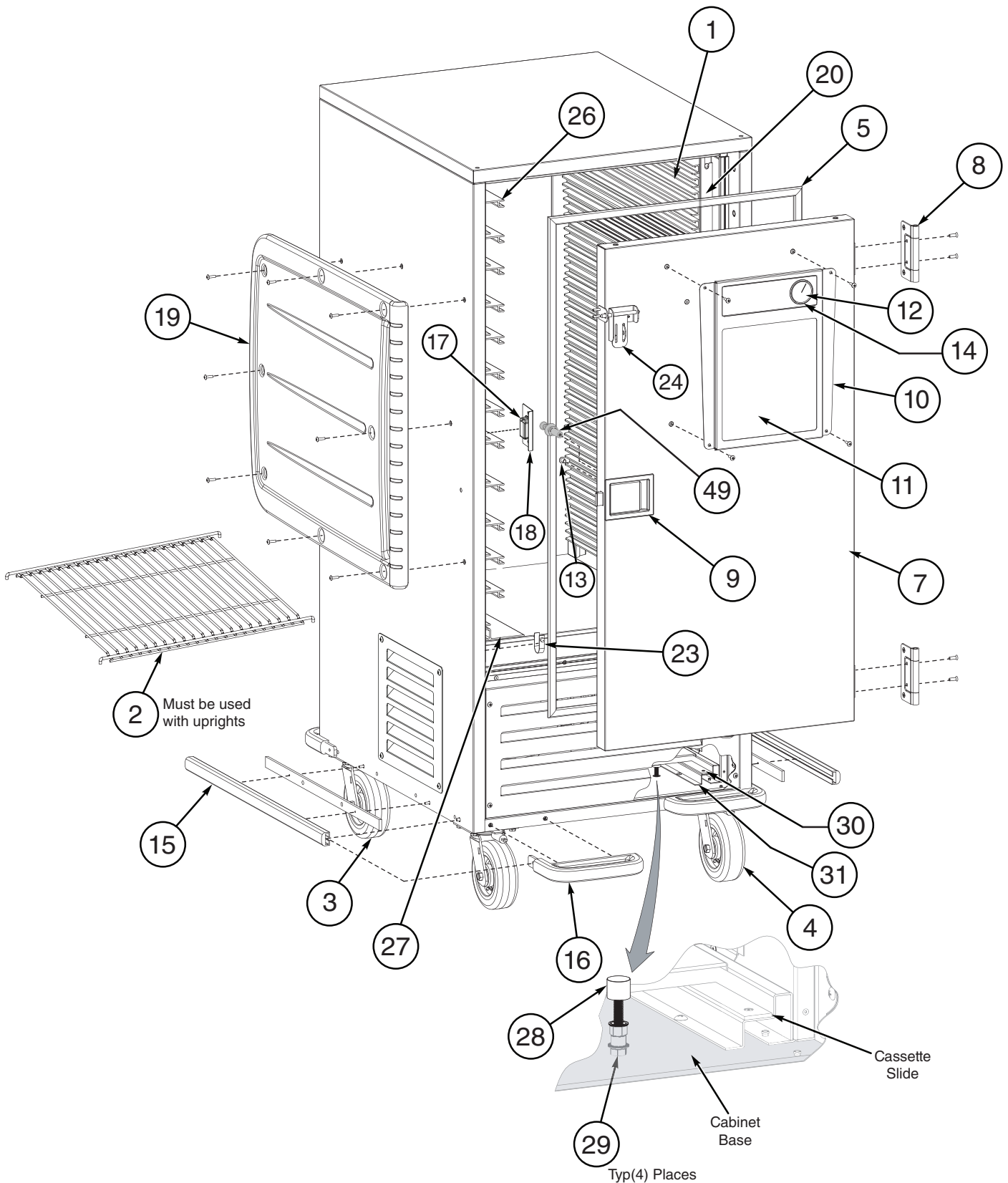
- Defective gasket. Top gasket should be sealed properly against cabinet floor, if necessary replace gasket.
- Loss of refrigerant. Replace the refrigeration unit.
- Damaged tubings. Replace the refrigeration unit.
- Defective temperature sensor and controller. Replace the controller.
- Check if evaporator fan is operating. The airflow should come out from the fan assembly.

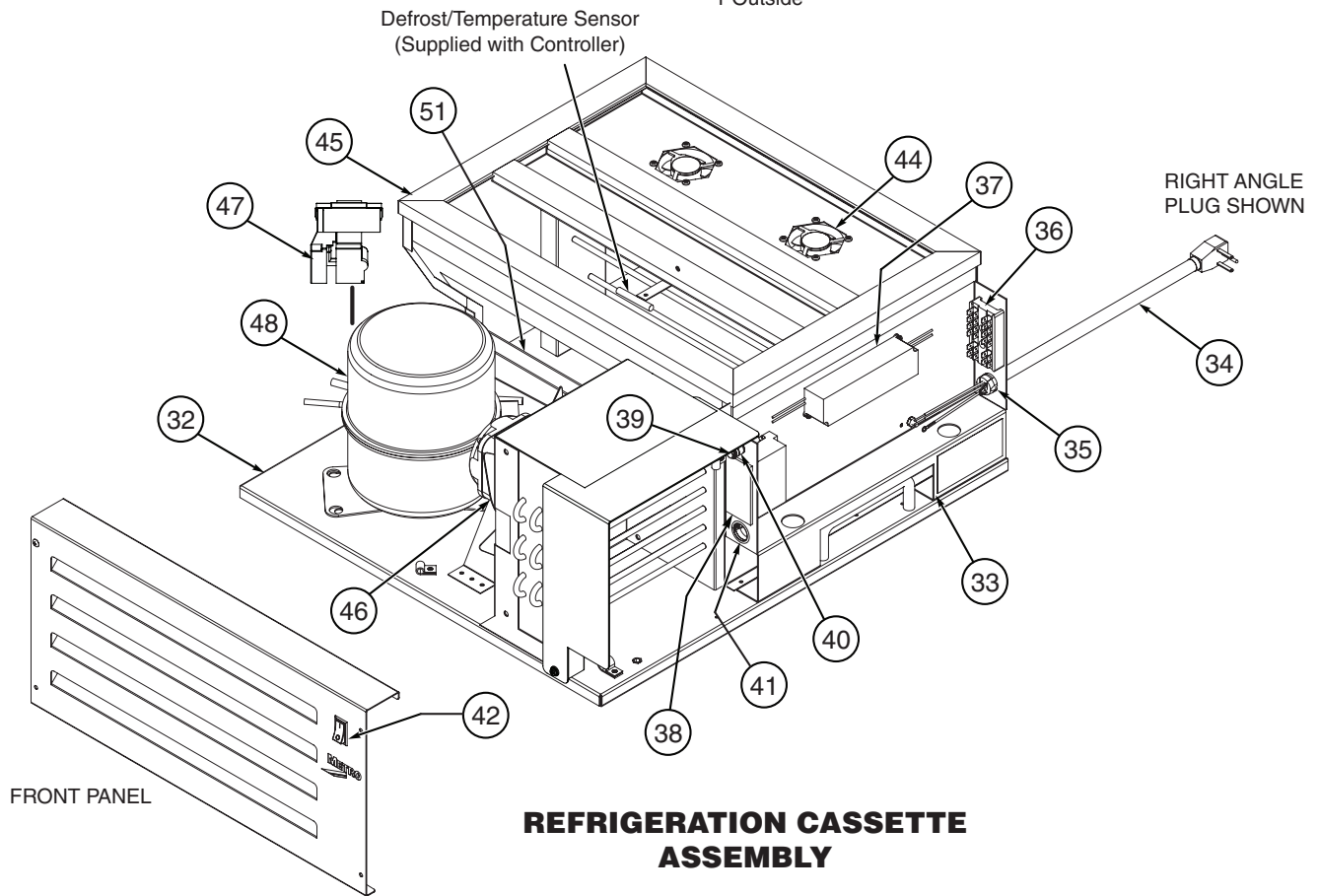
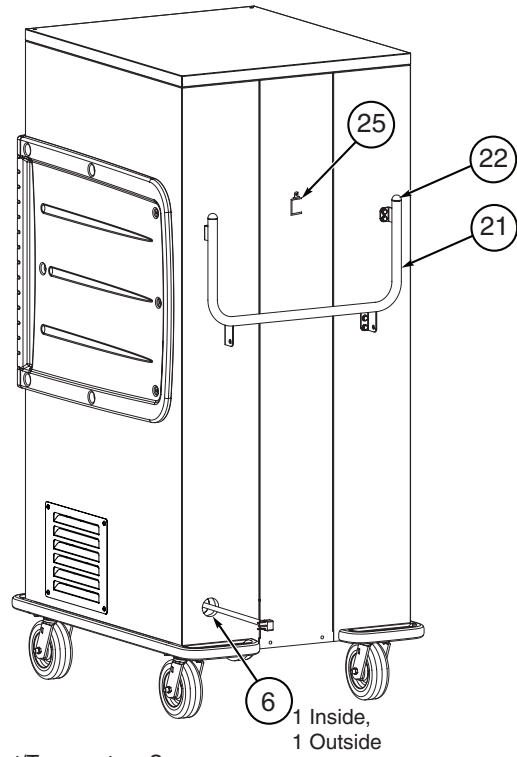
## SERVICE AND REPLACEMENT PARTS

**WARNING:** Only factory approved service agents should attempt to service, repair or replace electrical components, wiring or power cord.

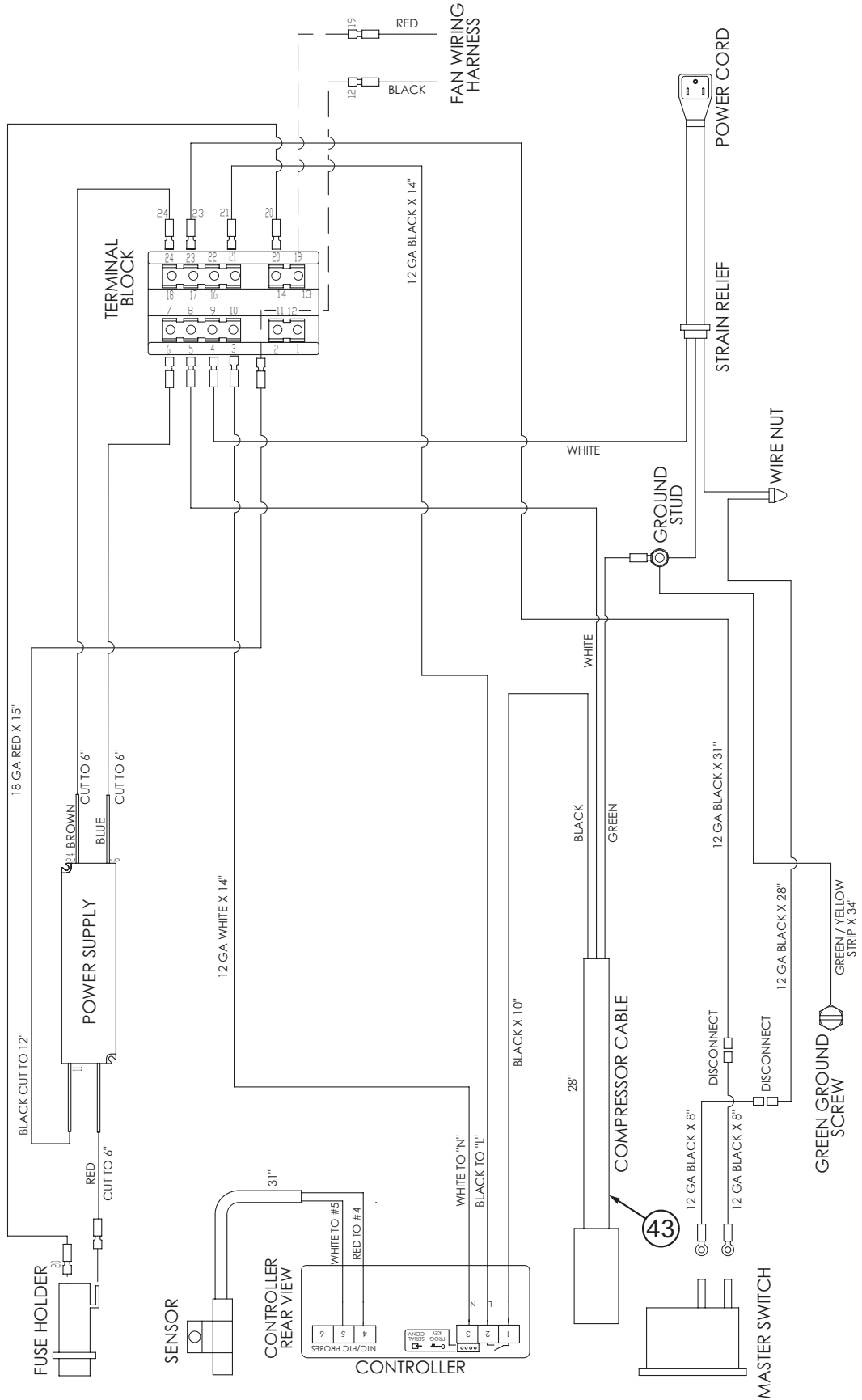
### *Cabinet, Door, Refrigeration Module and Electrical Parts*

ITEM #	Replacement Part No.	Description	ITEM #	Replacement Part No.	Description
1	RPC5R-FS	FIXED SLIDES - 1 PR	32	RPC5R-120CLCASS	COMPLETE REFRIG CASSETTE ASSY, 120V (NO ELECTRICAL CHASSIS)
	RPC5R-BL-13	ADJUSTABLE BOTTOM LOAD SLIDES AND UPRIGHTS -13 LEVELS		RPC5R-220CLCASS	COMPLETE REFRIG CASSETTE ASSY, 220-240V (NO ELECTRICAL CHASSIS)
	RPC5R-LL-13	ADJUSTABLE LIP LOAD SLIDES AND UPRIGHTS -13 LEVELS	33	RPC5R-ELCHS-120	COMPLETE ELECTRICAL CHASSIS, 120V
2	C5T-SHELF	WIRE SHELF (MUST BE USED WITH UPRIGHTS)		RPC5R-ELCHS-240	COMPLETE ELECTRICAL CHASSIS, 220-240V
3	C6P	6" SWIVEL CASTER	34	RPC5-STRPLG-15	POWER CORD, STR PLUG, 125V, 15A
	C6PR	6" RIGID CASTER		RPC5-RTWSTPLG-15	POWER CORD, TWIST LOCK PLUG, 125V, 15A
	C8SPN	8" CASTER, SEMI-PNEUMATIC STYLE, SWIVEL		RPC5-RTANGLE-15	POWER CORD, RT ANGLE PLUG, 125V, 15A
				RPC5-STRPLG-240V	POWER CORD, STR PLUG, 240V, 15A
4	C6PB	6" BRAKE CASTER	35	RPC13-083	STRAIN RELIEF, POWER CORD
	C8SPNB	8" CASTER, SEMI-PNEUMATIC STYLE, SWIVEL, BRAKE	36	RPC13-096	TERMINAL BLOCK
			37	RPC13-870	POWER SUPPLY
5	RPC06-1085	DOOR GASKET	38	RPC13-939	CONTROLLER WITH SENSOR, 120V
6	RC06-782A	POWER CORD GROMMET, GRAY, 2"		RPC13-940	CONTROLLER WITH SENSOR, 220-240V
7	RPC5R9-DOOR	COMPLETE DOOR ASSEMBLY	39	RPC13-834	FUSE, 1-1/4 AMP
8	RPC14-330	DOOR HINGE	40	RPC13-557	FUSE HOLDER
9	RPC14-329	DOOR LATCH	41	RPC06-1097	1" SNAP BUSHING
10	RPC5R-INFO	COMPLETE INFO PANEL/THERMOMETER ASSEMBLY	42	RPC13-375	RED MASTER SWITCH
11	RPC5R-WHTBRD	WHITE BOARD WITH CLIPS	43	RPC13-846	COMPRESSOR CABLE (Shown on Page13)
12	RPC13-829	THERMOMETER 2" DIAL	44	RPC13-882	24V EVAPORATOR FAN (Qt.1)
13	RPF04-368	BINDING BARREL, DOOR LATCH	45	RPC06-1098	GASKET
14	RPC07-055	THERMOMETER GROMMET	46	RPC13-883	120V CONDENSER FAN
15	RPC5T-BMPR	STRIP BUMPER, INSERT, SCREWS		RPC13-926	220V-240V CONDENSER FAN
16	RPC5T-HDL	MOLDED HANDLE, HARDWARE	47	RPC13-933	CAPACITOR START ASSEMBLY, 120V
17	RPC5T-CABPKT	CABINET DOOR POCKET		RPC13-936	CAPACITOR START ASSEMBLY, 220-240V
18	RPC5T-DRSTKR	DOOR STRIKE PLATE	48	RPC13-932	120V COMPRESSOR
19	RPC5R-ARMR-BL	BLUE MOLDED ARMOUR PANEL WITH SCREWS		RPC13-935	220-240V COMPRESSOR
20	RPC5R-9UPRT	TALL CABINET RACK UPRIGHT- 1 PC	49	RPC14-366	INTERNAL DOOR RELEASE COMPONENT
21	RPC11-446	REAR HANDLE (OPTIONAL)	50	RPC02-290	8" SEMI-PNEUMATIC CASTERS (Not Shown)
22	RPC06-035	REAR HANDLE CAP (OPTIONAL)		RPC02-291	8" SEMI-PNEUMATIC CASTERS WITH BRAKE (Not Shown)
23	RPF07-125	UPRIGHT SPRING BUTTON CLIP	51	RPC11-839	AIR WICK
24	RPC5T-TRVL	TRAVEL LATCH/ HASP			
25	RPC5R-CRDCLIP	POWER CORD KEEPER			
26	C5T-LSLIDEPR	LIP LOAD SLIDE-1 PR			
27	C5T-BSLIDEPR	BOTTOM LOAD SLIDE-1 PR			
28	RPC07-087	CASSETTE ISOLATOR			
29	RPF04-487	JACK BOLT 5/16-18 X 2-1/4"			
30	RPC06-1086	MODULE SLIDE STRIP			
31	RPC5R-MDLSLD	MODULE SLIDE BRACKET ASSEMBLY (INCLUDES STRIP)			





SERVICE AND REPLACEMENT PARTS (CIRCUITS)



# Warranty

**WARRANTY, EXCLUSION OF WARRANTIES AND LIMITATION OF LIABILITY.**

InterMetro Industries Corporation (hereinafter referred to as "Seller") warrants to the original purchaser that all products in its catalog, or custom products, delivered hereunder will be free from defects in workmanship and material. THE FOREGOING WARRANTY IS EXCLUSIVE AND IN LIEU OF ALL OTHER WARRANTIES, EXPRESS, IMPLIED OR STATUTORY, INCLUDING ANY WARRANTY OF MERCHANTABILITY OR FITNESS FOR A PARTICULAR PURPOSE. This Warranty shall be for a period of one (1) year from the date of shipment from Seller's warehouse or factory. If any product delivered hereunder does not meet the Warranty specified above, providing the product has not been altered in any way by anyone other than Seller's factory-authorized representative, and assuming normal and proper use and maintenance, Seller will, at its option, repair or replace any part or material it determines, upon inspection, to be defective; provided however, that a charge for labor will be made except during a period of one (1) year from the date of original shipment from Seller's warehouse or factory. No product, or part thereof, is to be returned to Seller without prior written approval from Seller's factory. All exchanges and replacement shipments will be F.O.B. Seller's factory. Warranties for equipment or articles not manufactured by the Seller are solely the warranties of the manufacturers thereof and they are hereby assigned to the purchaser without recourse to the Seller.

SELLER'S LIABILITY FOR ANY CLAIM OF ANY KIND, WHETHER BASED ON CONTRACT, NEGLIGENCE OR STRICT LIABILITY IN TORT, AND BY WHOMEVER MADE, FOR ANY DIRECT, INDIRECT, INCIDENTAL OR CONSEQUENTIAL LOSS, DAMAGE OR INJURY, RESULTING TO THE PURCHASER OR ANY THIRD PARTIES, arising out of, connected with or resulting from this Agreement, or from the performance or breach thereof, or from the manufacture, sale, delivery, resale, installation, inspection, repair or use of any product covered by or furnished under this Agreement, WHETHER OR NOT CAUSED BY SELLER'S NEGLIGENCE, SHALL IN ALL EVENTS BE EXCLUSIVELY LIMITED TO THE COST OF CORRECTING DEFECTIVE, DAMAGED OR NON-CONFORMING PARTS OR MATERIAL AS HEREIN PROVIDED, and upon the expiration of one (1) year, all such liability shall terminate.

SELLER DOES NOT AUTHORIZE any person to assume for it any obligations or liabilities greater than or different than those set forth in this Warranty. The terms under which any of Seller's products may be resold must be limited in accordance with this Warranty.

THIS AGREEMENT, and all the rights and obligations arising hereunder, shall be construed in accordance with, and be governed by, the law of the Commonwealth of Pennsylvania, U.S.A.

TO INSURE WARRANTY implementation, return the completed registration card within 15 days of cabinets' receipt to: InterMetro Industries Corp., Wilkes-Barre, PA 18705



InterMetro Industries Corporation  
Wilkes-Barre, PA 18705

02/2020

For online warranty registration, please go to [www.metro.com/service-support/thermal-cabinets](http://www.metro.com/service-support/thermal-cabinets) to register electronically

**THIS PAGE IS KEPT INTENTIONALLY BLANK**



We put space to work.®

an Ali Group Company



The Spirit of Excellence